



US00D813012S

(12) **United States Design Patent**
Valencich

(10) **Patent No.:** **US D813,012 S**
(45) **Date of Patent:** **** Mar. 20, 2018**

(54) **HANDLESET**
(71) Applicant: **Spectrum Brands, Inc.**, Middleton, WI (US)

D593,398 S * 6/2009 Pelletier D8/330
D697,385 S * 1/2014 Roberts, III D8/301
D739,203 S * 9/2015 Schneider D8/302
D771,471 S * 11/2016 Ruoff D8/330

(72) Inventor: **Erinn Valencich**, Beverly Hills, CA (US)

OTHER PUBLICATIONS

(73) Assignees: **Erinn Valencich**, Beverly Hills, CA (US); **Spectrum Brands, Inc.**, Middleton, WI (US)

“Hawthorne Single Cylinder Handleset”; Kwikset; disclosure date unknown but prior to filing date of present application <URL: <http://www.kwikset.com/products/details/handlesets/800/hexcn-15-smt.aspx#>>.

(**) Term: **15 Years**

“Minneapolis Sectional Handleset”; Baldwin; disclosure date unknown but prior to filing date of present application; <URL: <http://www.baldwinhardware.com/products/details/door-hardware/entrance/minneapolis-sectional-handleset-85390-260>>.

(21) Appl. No.: **29/590,941**

“Soho Sectional Trim”; Baldwin; disclosure date unknown but prior to filing date of present application; <URL: <http://www.baldwinhardware.com/products/details/door-hardware/entrance/soho-sectional-trim-85386-150>>.

(22) Filed: **Jan. 13, 2017**

(51) **LOC (11) Cl.** **08-07**

(52) **U.S. Cl.**
USPC **D8/331**; D8/330; D8/302

* cited by examiner

(58) **Field of Classification Search**
USPC D8/330, 331, 336, 338, 339, 340, 343;
70/14, 2, 51, 57, 57.1, 91, 107, 141, 214,
70/78, 278, 1, 127, 447; 292/2, 32, 137,
292/288, 289, 290, 292, 194–198, 164,
292/165, 257
CPC E05B 49/00; E05B 17/00; E05B 55/00;
E05B 65/00; E05B 47/00

Primary Examiner — Prabhakar Deshmukh

(74) *Attorney, Agent, or Firm* — Banner & Witcoff, Ltd.

See application file for complete search history.

(57) **CLAIM**

The ornamental design for a handleset, as shown and described.

DESCRIPTION

(56) **References Cited**

U.S. PATENT DOCUMENTS

4,956,984 A * 9/1990 Chi-Cheng E05B 47/068
70/277
5,020,345 A * 6/1991 Gartner E05B 47/0012
70/277
5,033,282 A * 7/1991 Gartner E05B 47/0012
70/119
D351,981 S * 11/1994 Susani D8/302
D414,397 S * 9/1999 Finkelstein D8/331
D471,423 S * 3/2003 Ellis D8/301
D571,183 S * 6/2008 Roberts, III D6/350
D581,245 S * 11/2008 Conway D8/330

FIG. 1 is a front perspective view of a handleset showing my new design;

FIG. 2 is a front view thereof;

FIG. 3 is a rear view thereof

FIG. 4 is a left side view thereof;

FIG. 5 is a right side view thereof;

FIG. 6 is a top view thereof; and,

FIG. 7 is a bottom view thereof.

The broken line showing of the circular lock region and keyway and of the rear surface of the handleset represents unclaimed subject matter and forms no part of the claimed design.

1 Claim, 6 Drawing Sheets

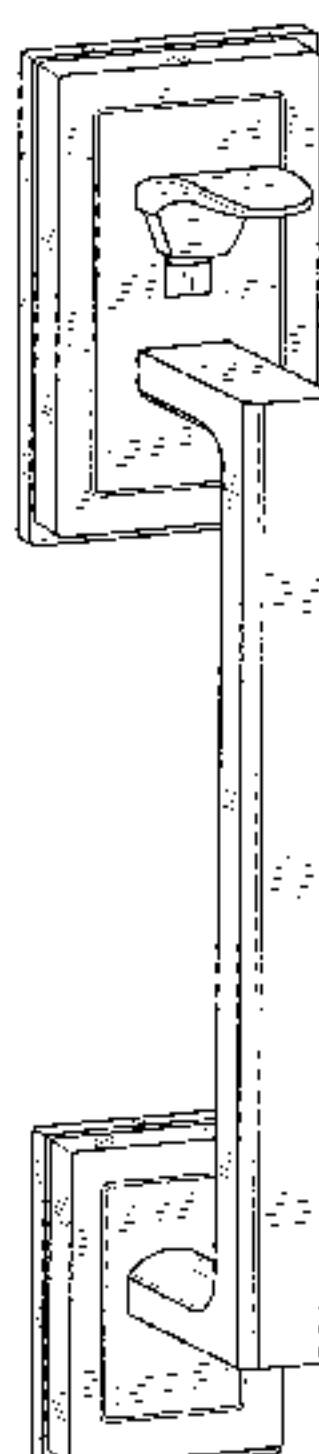
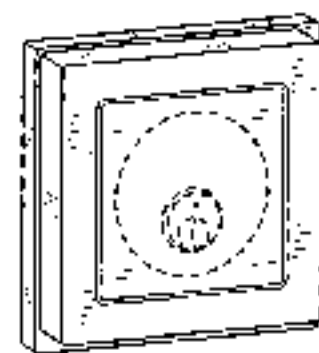
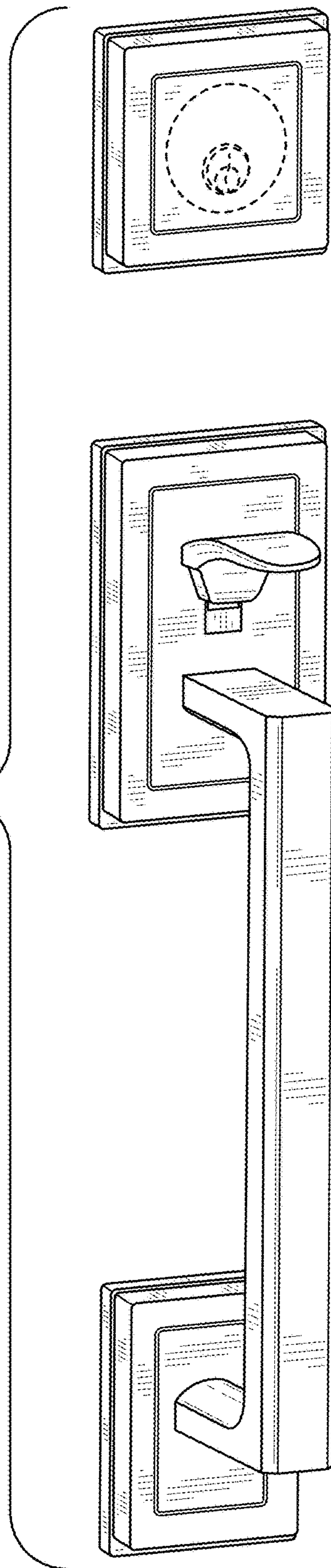
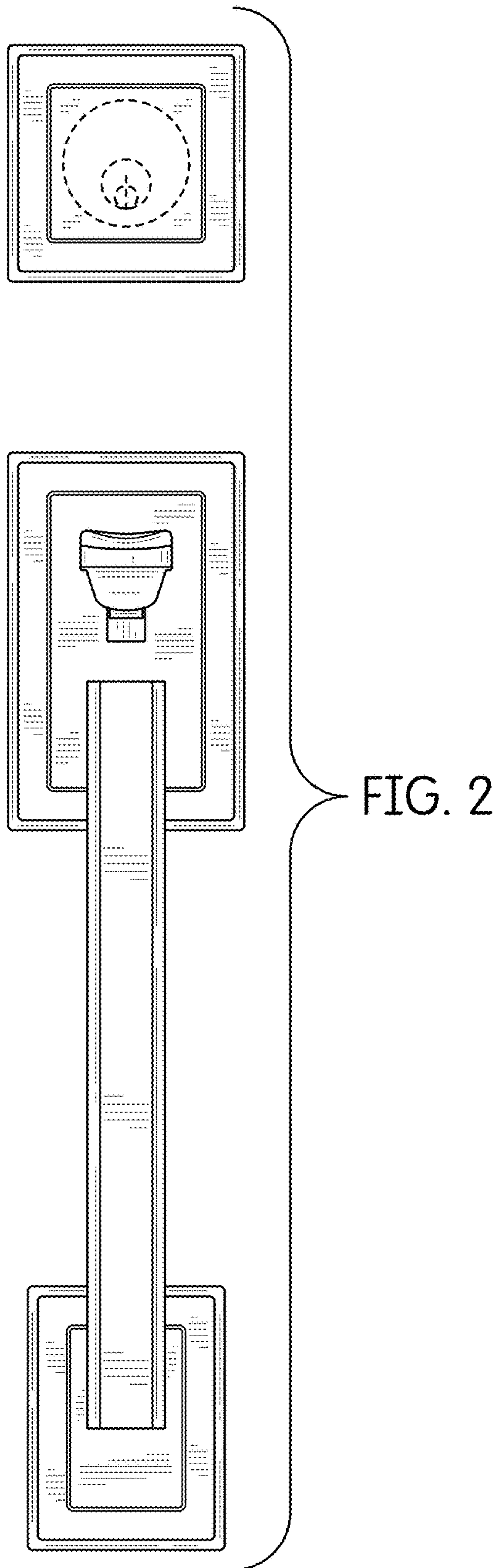


FIG. 1





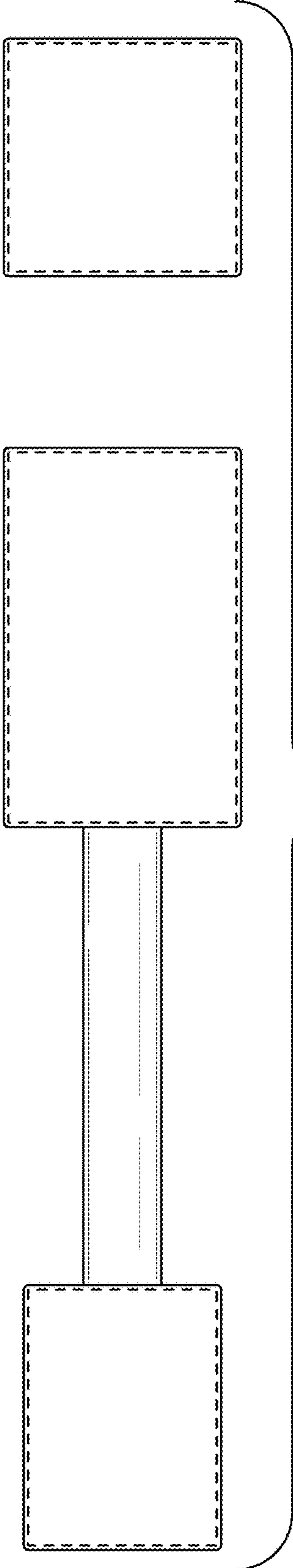
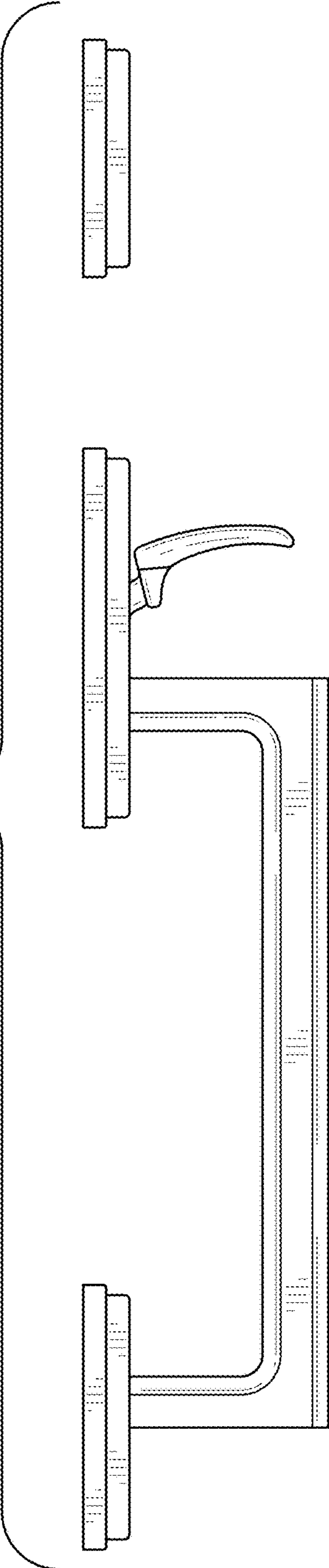
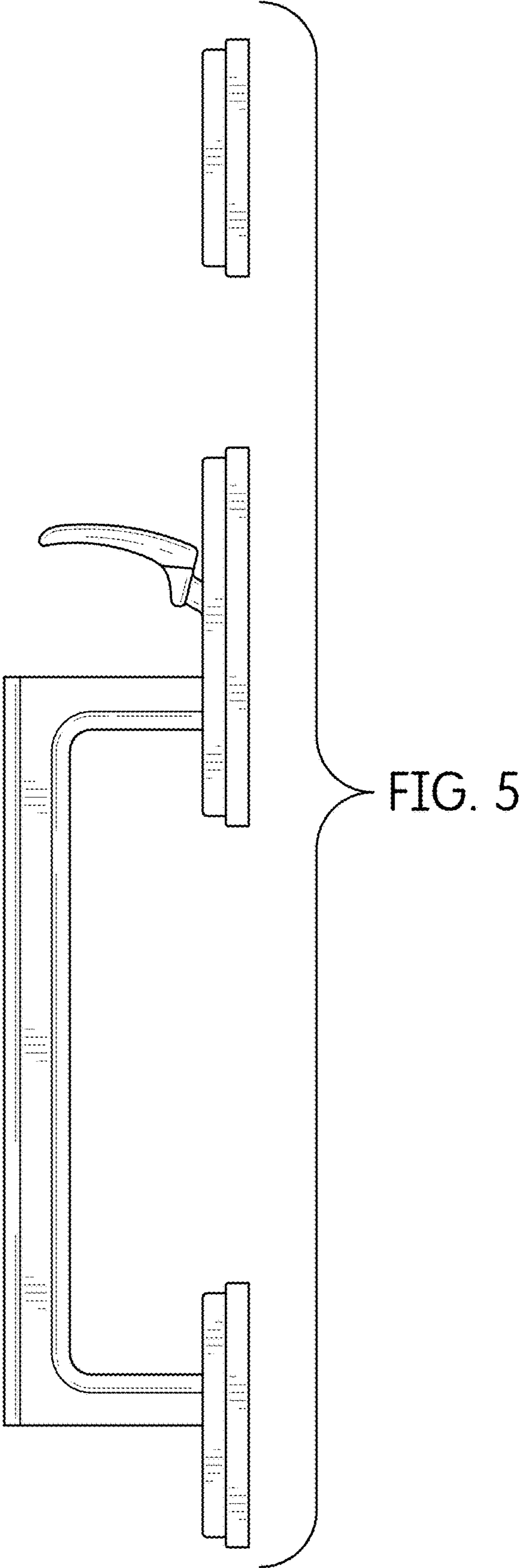


FIG. 3

FIG. 4





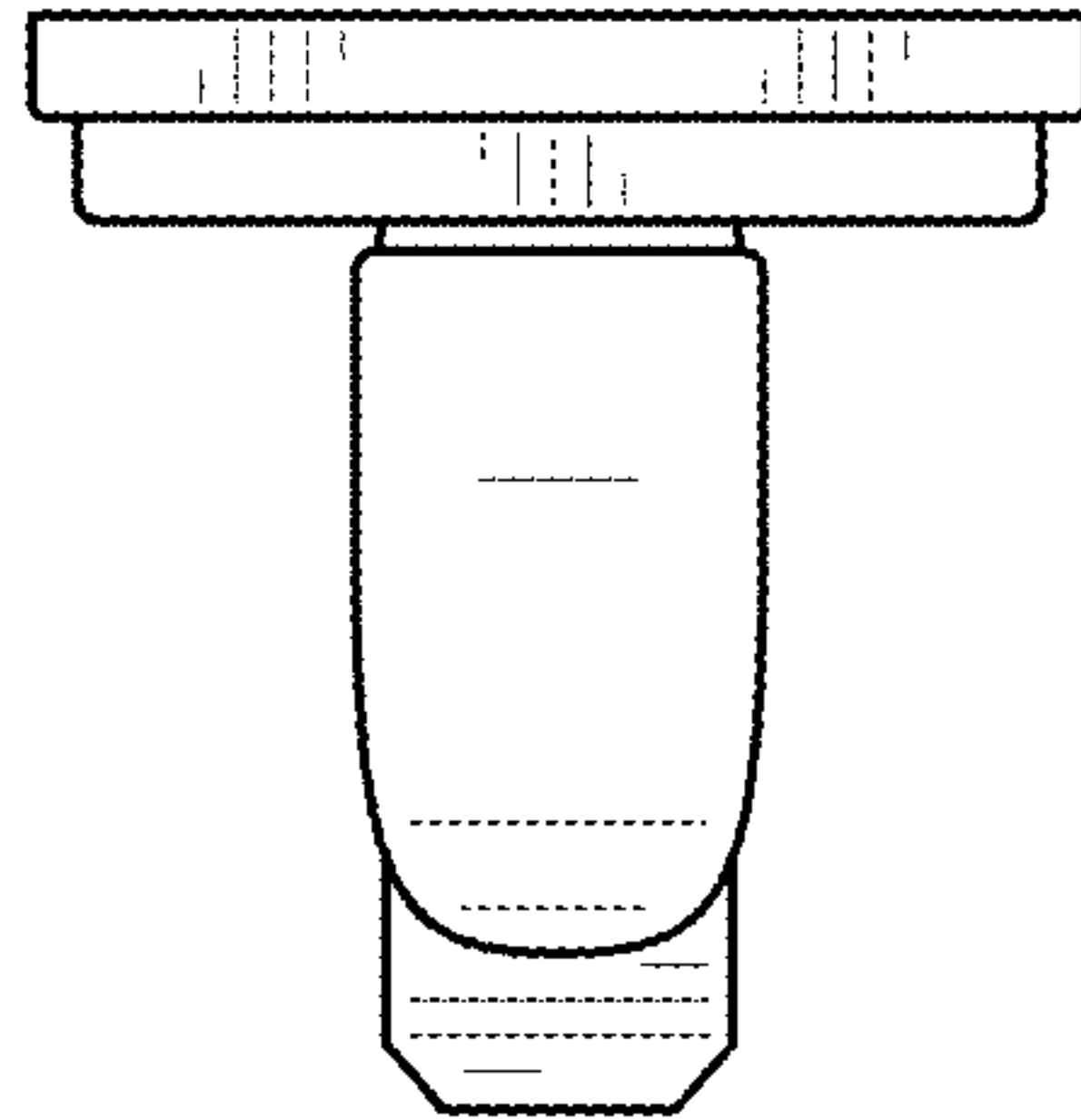


FIG. 6

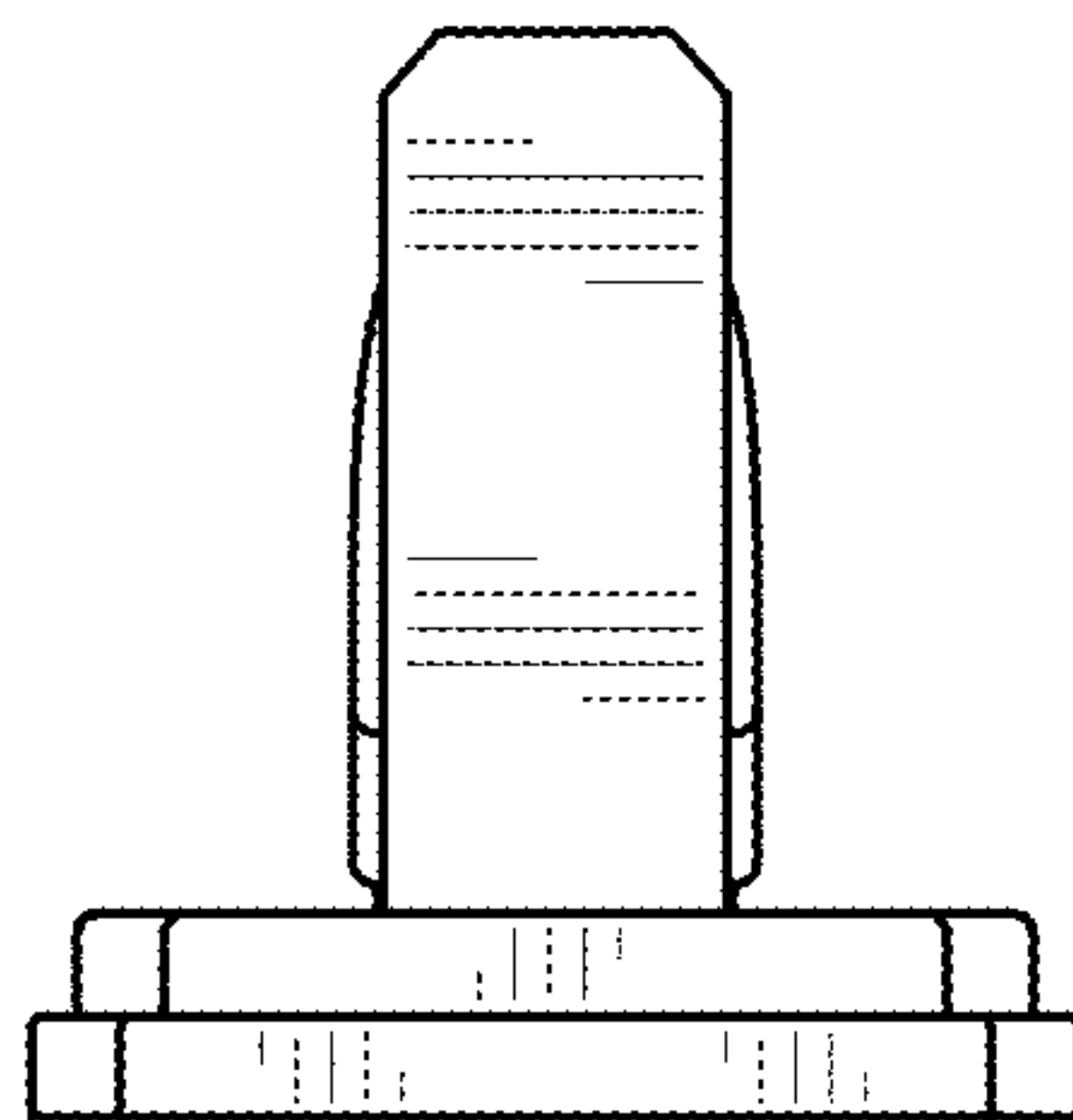


FIG. 7