



US00D813011S

(12) **United States Design Patent**
Dooney

(10) **Patent No.:** **US D813,011 S**

(45) **Date of Patent:** **** Mar. 20, 2018**

- (54) **CLOSURE DEVICE**
- (71) Applicant: **Dooney & Bourke, Inc.**, Norwalk, CT (US)
- (72) Inventor: **Henry Peter Dooney**, Greenwich, CT (US)
- (73) Assignee: **Dooney & Bourke, Inc.**, Norwalk, CT (US)
- (**) Term: **15 Years**
- (21) Appl. No.: **29/590,894**
- (22) Filed: **Jan. 13, 2017**
- (51) **LOC (11) Cl.** **08-07**
- (52) **U.S. Cl.**
USPC **D8/331**; D8/330; D8/302
- (58) **Field of Classification Search**
USPC D8/330, 331, 336, 338, 339, 340, 343;
70/14, 2, 51, 57, 57.1, 91, 107, 141, 214,
70/78, 278, 1, 127, 447, 224, 207, 431;
292/2, 32, 137, 288, 289, 290, 292,
292/194-198, 164, 165, 257, 348
CPC E05B 49/00; E05B 17/00; E05B 55/00;
E05B 65/00; E05B 47/00
See application file for complete search history.

- 7,963,891 B1 * 6/2011 Zeaman A63B 21/4019
482/104
- 9,003,843 B2 * 4/2015 Header E05B 1/00
292/32
- 9,109,383 B2 * 8/2015 Jeffries E05C 19/001
- D737,652 S * 9/2015 Harden D8/302
- D784,417 S * 4/2017 Tseng D15/7
- D796,891 S * 9/2017 Bucher D7/332

* cited by examiner

Primary Examiner — Prabhakar Deshmukh

(74) *Attorney, Agent, or Firm* — Greenberg Traurig, LLP

(57) **CLAIM**

The ornamental design for a closure device, as shown and described.

DESCRIPTION

FIG. 1 is a front right perspective view of a closure device showing my new design;
 FIG. 2 is a front elevation view of the closure device shown in FIG. 1;
 FIG. 3 is a rear elevation view of the closure device shown in FIG. 1;
 FIG. 4 is a right elevation view of the closure device shown in FIG. 1;
 FIG. 5 is a left elevation view of the closure device shown in FIG. 1;
 FIG. 6 is a top plan view of the closure device shown in FIG. 1;
 FIG. 7 is a bottom plan view of the closure device shown in FIG. 1; and,
 FIG. 8 is an exploded top right perspective view of the closure device of FIG. 1.

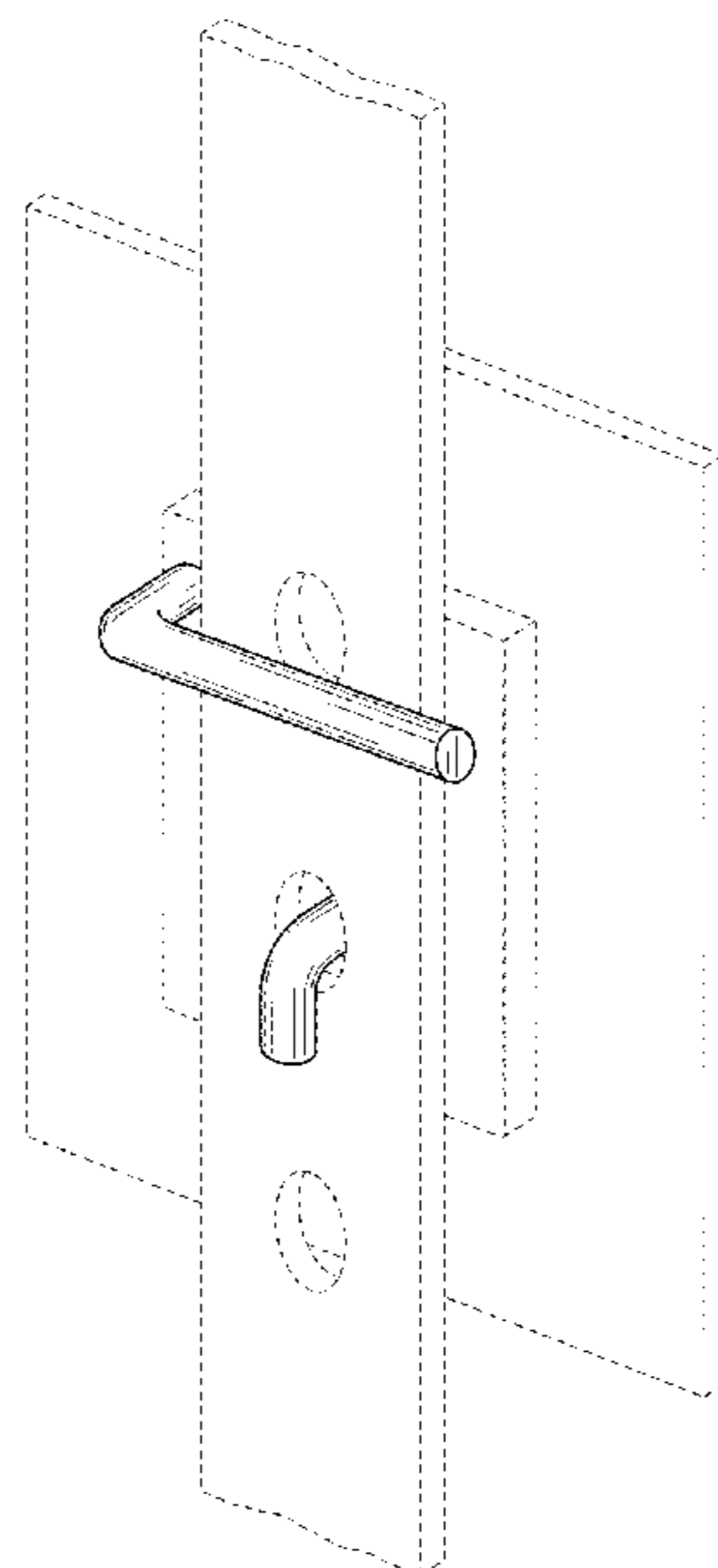
The broken lines showing an item to which the closure device is attached are included to show features that form no part of the claimed design.

1 Claim, 5 Drawing Sheets

(56) **References Cited**

U.S. PATENT DOCUMENTS

- D283,199 S * 4/1986 Ostergren D8/338
- D332,905 S * 2/1993 Dannenberg D8/315
- D344,228 S * 2/1994 Woolf D8/315
- 5,295,595 A * 3/1994 Gobidas A47H 1/18
160/330
- D377,596 S * 1/1997 Simon D8/315
- D533,046 S * 12/2006 Donald D8/301
- D630,490 S * 1/2011 Lundstrom D8/300



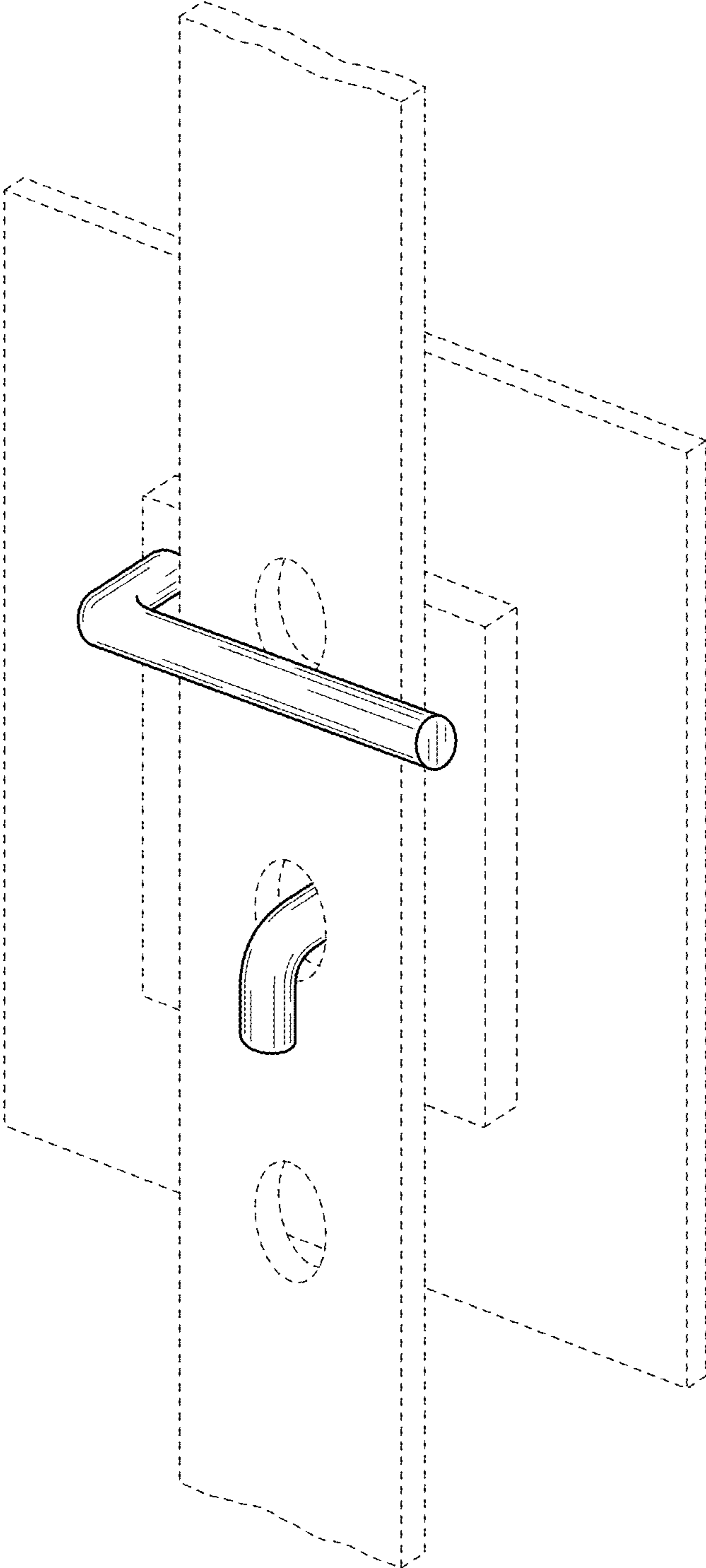


FIG. 1

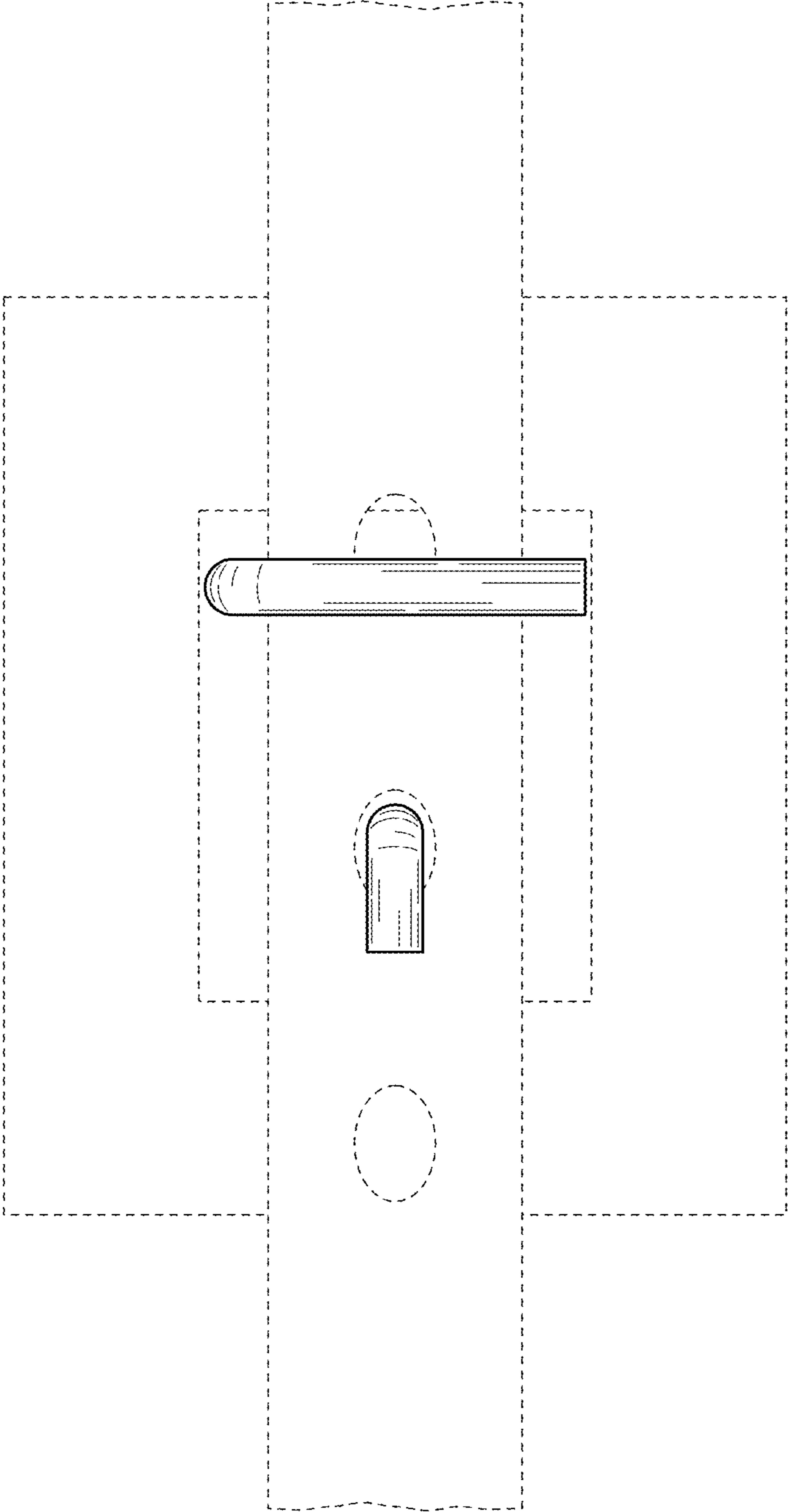


FIG. 2

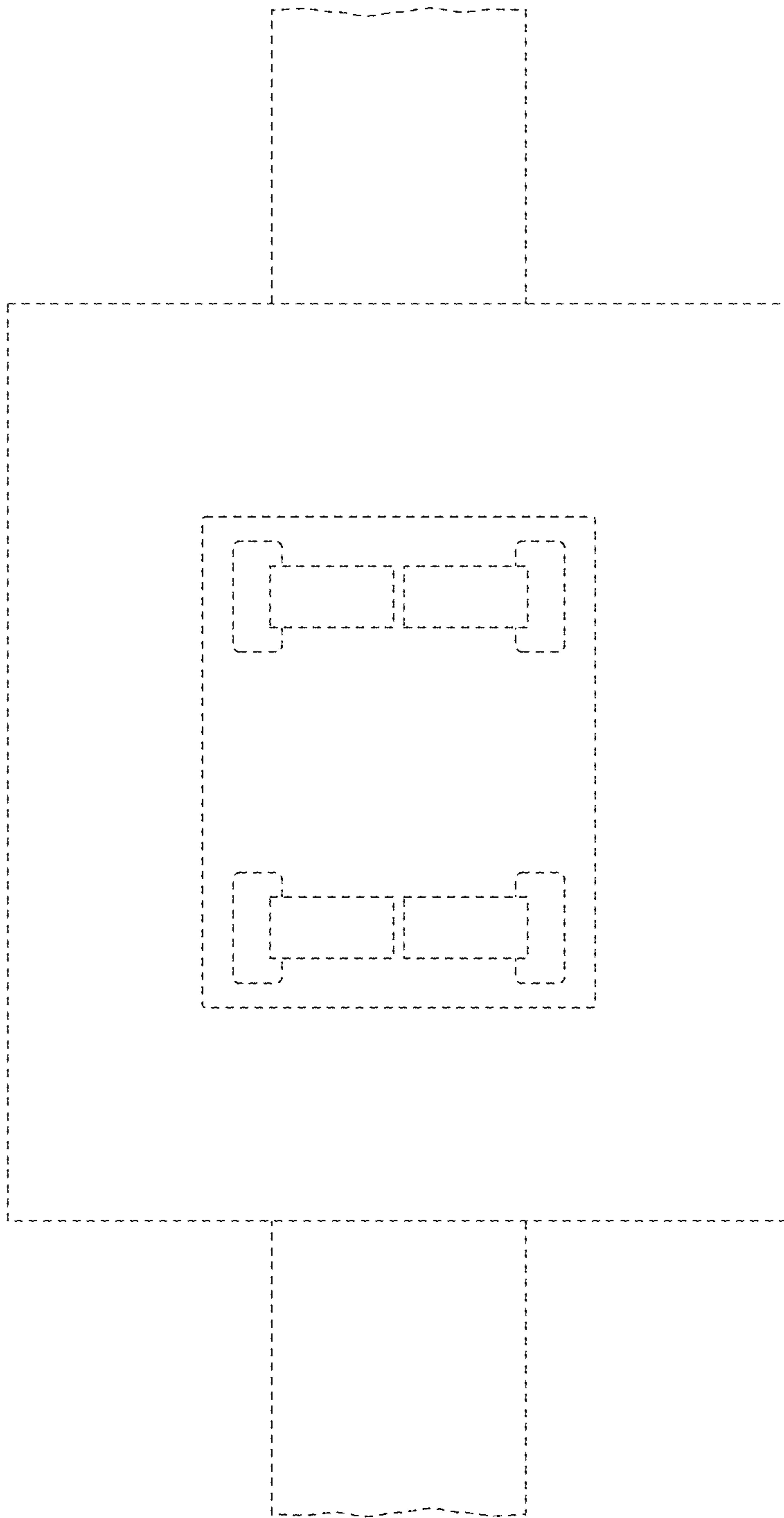


FIG. 3

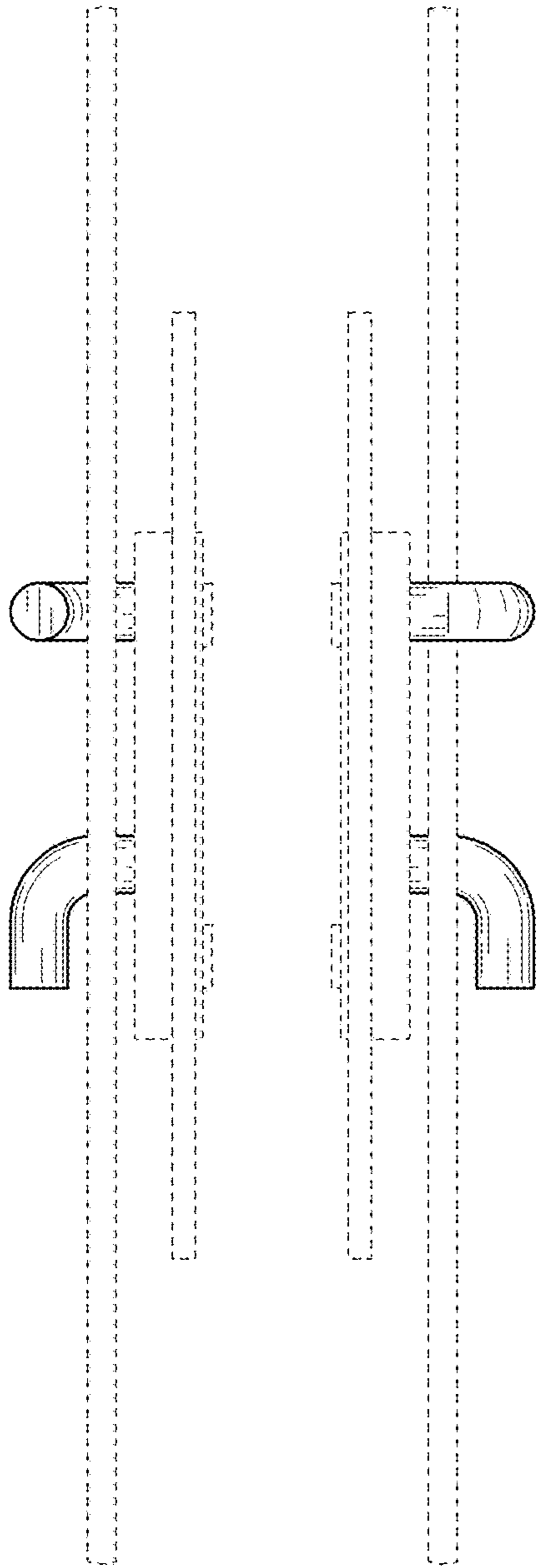


FIG. 4

FIG. 5

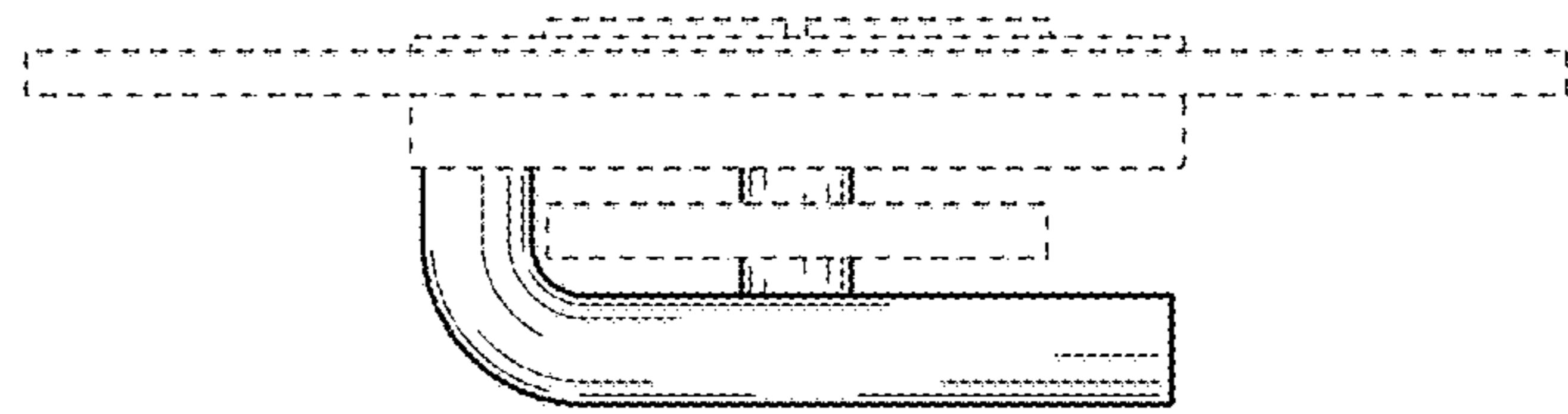


FIG. 6

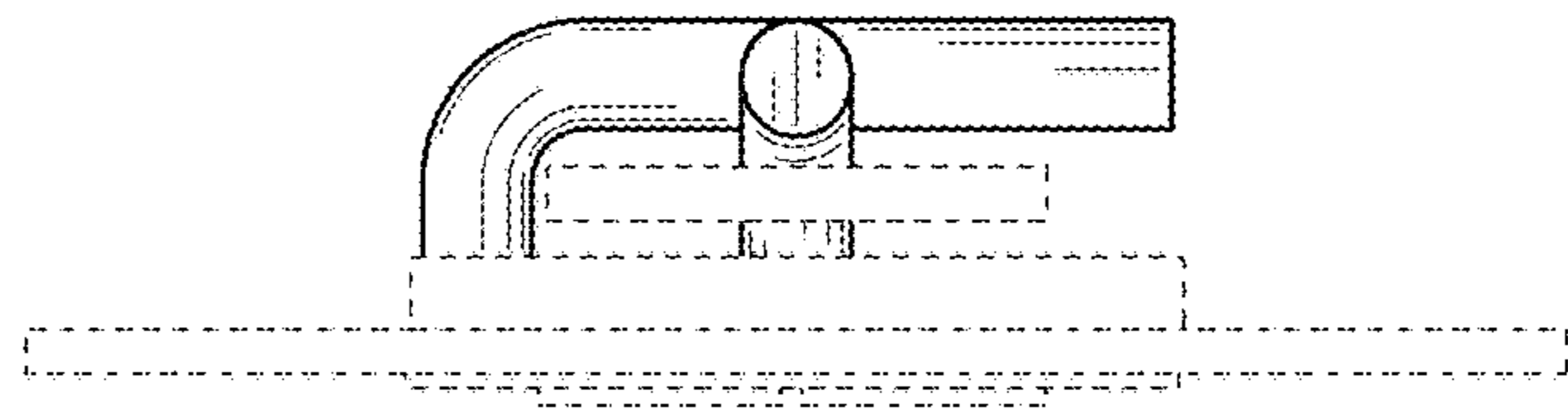


FIG. 7

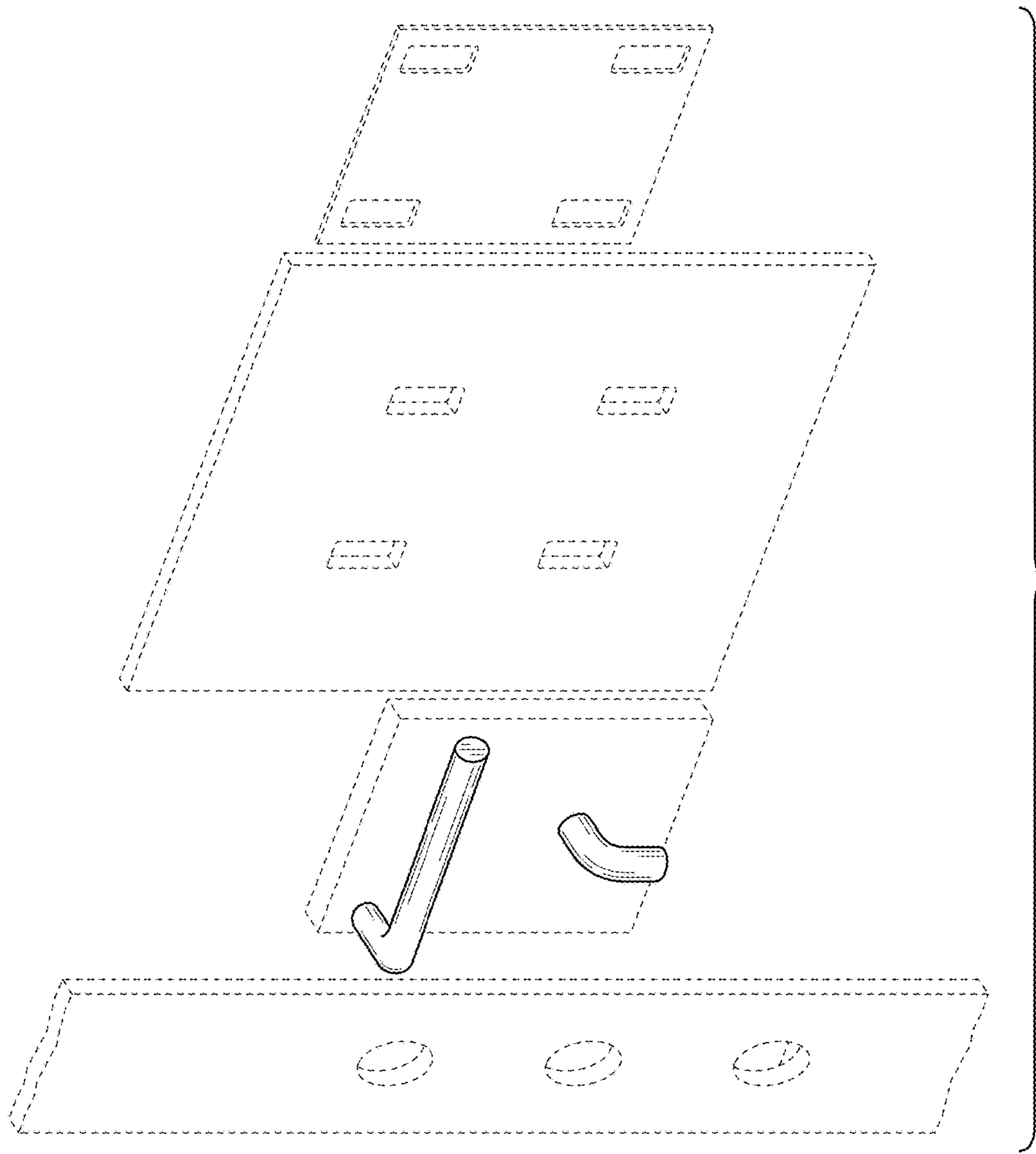


FIG. 8