



US00D813010S

(12) **United States Design Patent** (10) **Patent No.:** **US D813,010 S**
Pfalzgraf et al. (45) **Date of Patent:** **** Mar. 20, 2018**

(54) **COMPANION ESCUTCHEONS**

(71) Applicant: **Sargent Manufacturing Company**,
New Haven, CT (US)

(72) Inventors: **Steven Pfalzgraf**, New Haven, CT
(US); **Jameson Cook**, New Haven, CT
(US)

(73) Assignee: **SARGENT MANUFACTURING
COMPANY**, New Haven, CT (US)

(**) Term: **15 Years**

(21) Appl. No.: **29/581,307**

(22) Filed: **Oct. 18, 2016**

(51) **LOC (11) Cl.** **08-07**

(52) **U.S. Cl.**
USPC **D8/331; D8/353**

(58) **Field of Classification Search**
USPC D8/330, 331, 334, 300, 301, 302,
D8/350–353; 70/14, 20–22, 57, 57.1,
70/284–286, 314, DIG. 44; 340/5.21,
340/5.54, 5.65, 5.73, 5.81, 5.85
CPC . E05C 9/004; E05B 9/002; E05B 9/00; E05B
9/02; E05B 37/00; E05B 1/00; E05B
3/00; E05B 47/00; E05B 47/06; E05B
49/00; E05B 15/02; E05B 15/00; E05B
(Continued)

(56) **References Cited**

U.S. PATENT DOCUMENTS

6,733,050 B1 * 5/2004 Yao E05B 63/044
292/137
D533,763 S * 12/2006 Wright D8/330
(Continued)

Primary Examiner — Mark Goodwin

(74) *Attorney, Agent, or Firm* — DeLio, Peterson &
Curcio, LLC; Thomas E. Ciesco

(57) **CLAIM**

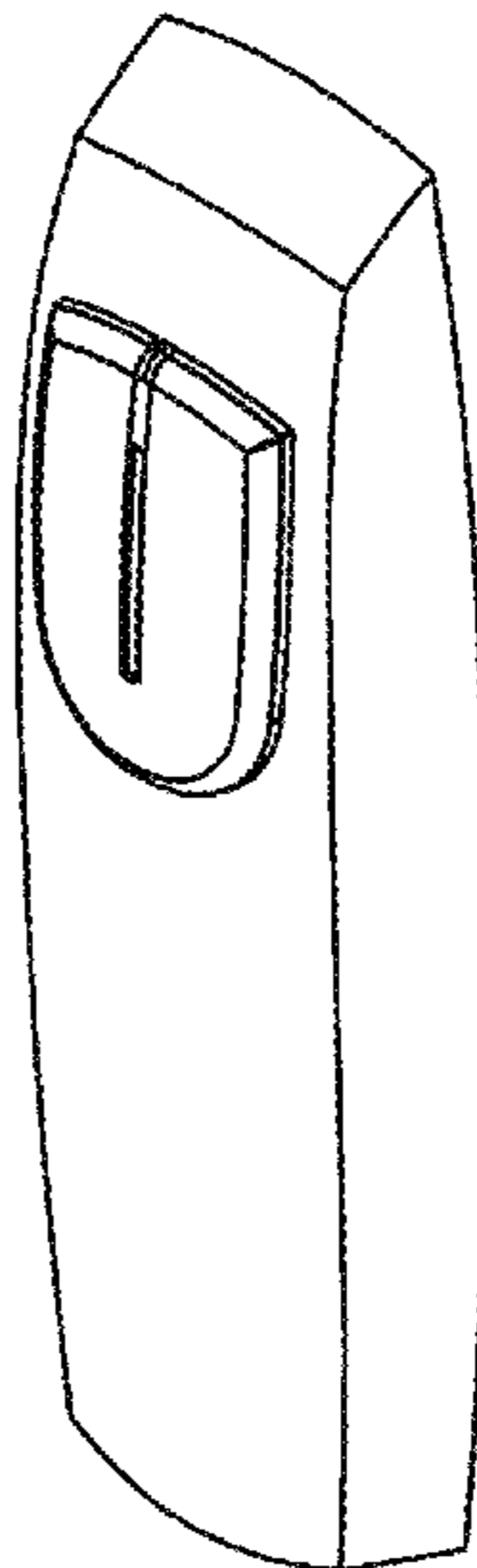
The ornamental design for a “companion escutcheons”, as
shown and described.

DESCRIPTION

FIG. 1 is a right front top perspective view of the “com-
panion escutcheons” design according to our invention;
FIG. 2 is a front elevational view of the “companion
escutcheons” shown in FIG. 1;
FIG. 3 is a top elevational view of the “companion escutch-
eons” shown in FIG. 1;
FIG. 4 is a bottom elevational view of the “companion
escutcheons” shown in FIG. 1;
FIG. 5 is a left side elevational view of the “companion
escutcheons” shown in FIG. 1;
FIG. 6 is a right side elevational view of the “companion
escutcheons” shown in FIG. 1;
FIG. 7 is a right front top perspective view of a second
embodiment of the “companion escutcheons” design
according to our invention;
FIG. 8 is a front elevational view of the second embodi-
ment of the “companion escutcheons” shown in FIG. 7;
FIG. 9 is a top elevational view of the second embodi-
ment of the “companion escutcheons” shown in FIG. 7;
FIG. 10 is a bottom elevational view of the second embodi-
ment of the “companion escutcheons” shown in FIG. 7;
FIG. 11 is a left side elevational view of the second
embodiment of the “companion escutcheons” shown in FIG.
7; and,
FIG. 12 is a right side elevational view of the second
embodiment of the “companion escutcheons” shown in FIG.
7.

The rear view of the “companion escutcheons” is not
included and forms no part of the design.
Portions of the companion escutcheons are shown in phan-
tom lines and form no part of the design.

1 Claim, 4 Drawing Sheets



(58) **Field of Classification Search**

CPC 13/103; Y10T 70/8324; Y10T 70/8459;
Y10T 70/8514; Y10T 70/8568

See application file for complete search history.

(56) **References Cited**

U.S. PATENT DOCUMENTS

D552,966	S	*	10/2007	Roberts	D8/330
D552,967	S	*	10/2007	Roberts	D8/330
D570,188	S	*	6/2008	Luo	D8/330
D581,246	S	*	11/2008	Conway	D8/330
D593,399	S	*	6/2009	Douglas	D8/330
D595,109	S	*	6/2009	Doucet	D8/330
7,540,177	B1	*	6/2009	Luo	E05B 15/02 340/5.53
D601,002	S		9/2009	Nunez et al.		
D607,303	S	*	1/2010	Kim	D8/331
D630,929	S	*	1/2011	Downey	D8/331
D639,135	S	*	6/2011	Doucet	D8/330
D666,074	S	*	8/2012	Genord	D8/330
D682,656	S	*	5/2013	Cramer	D8/331
D738,700	S	*	9/2015	Yan	D8/330

* cited by examiner

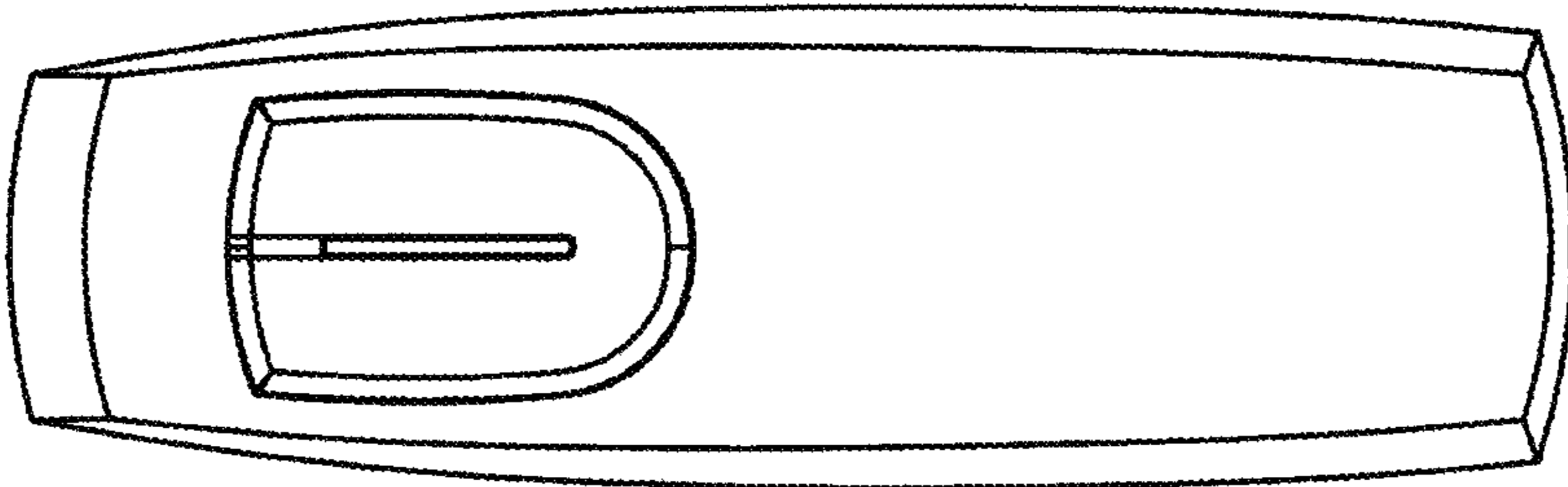


FIG. 2

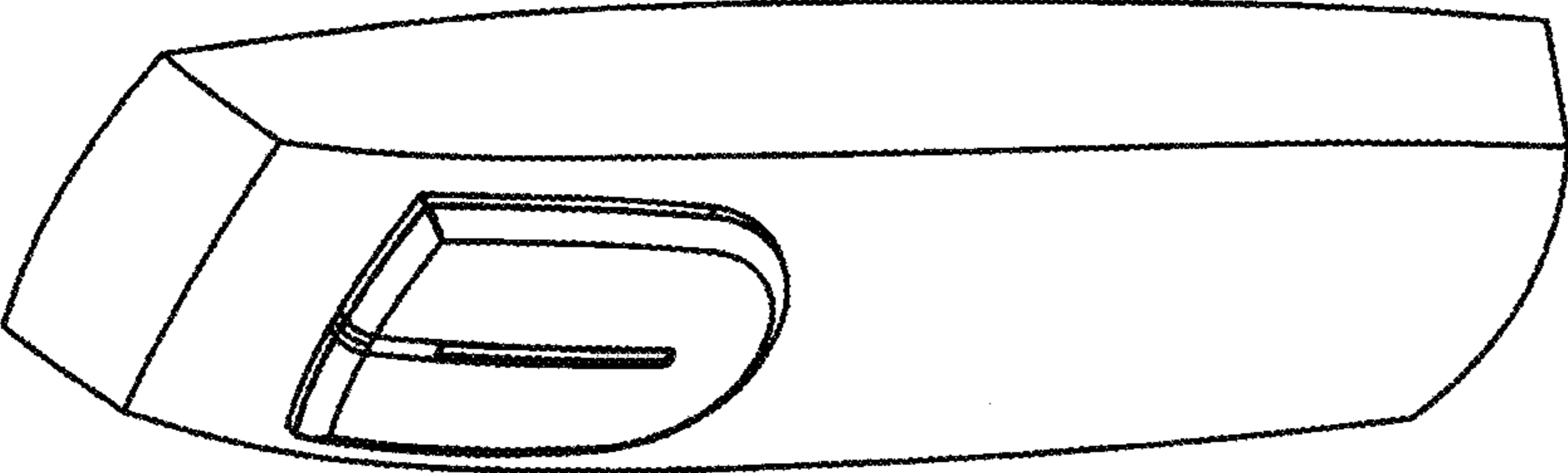


FIG. 1

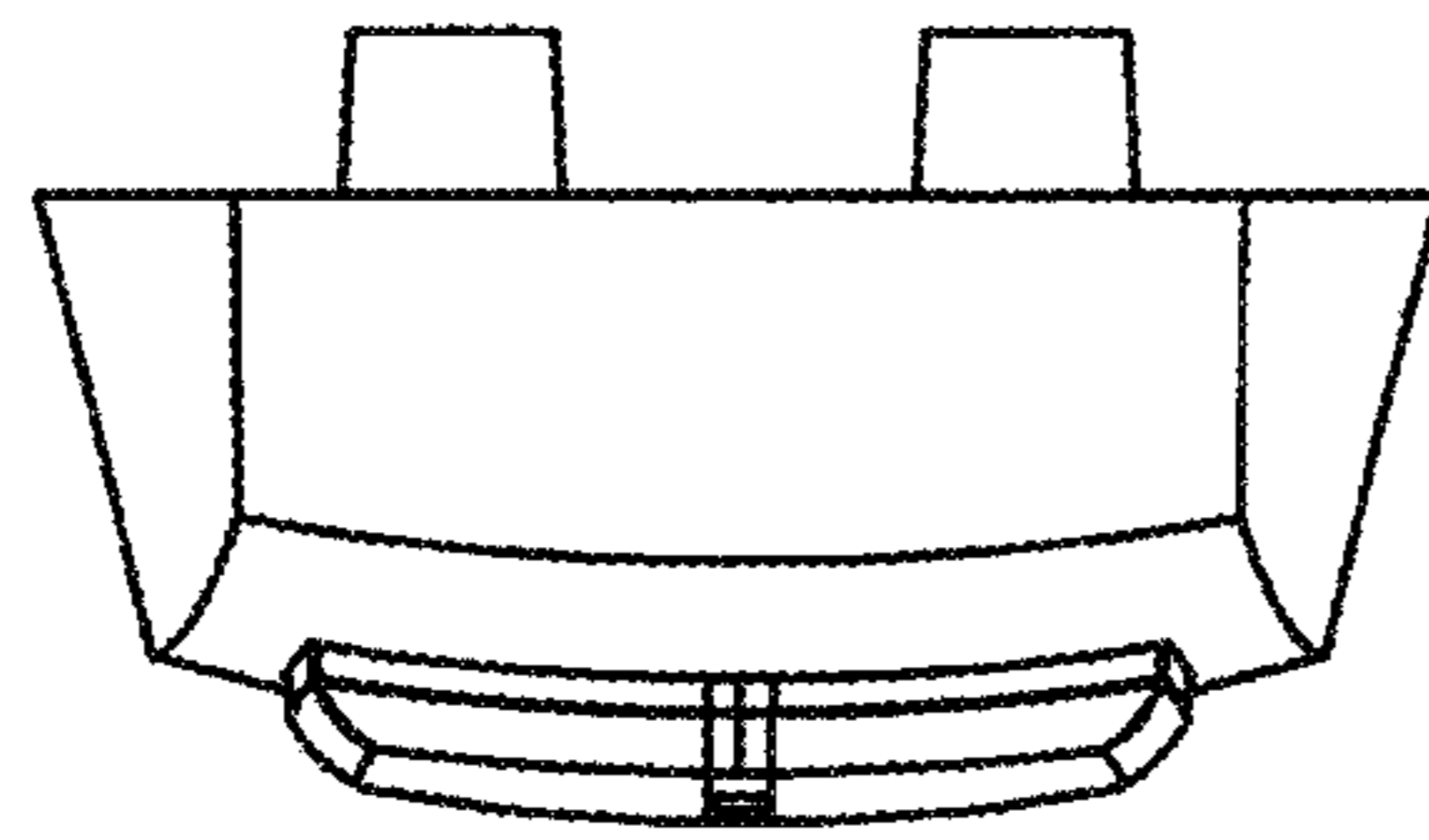


FIG. 3

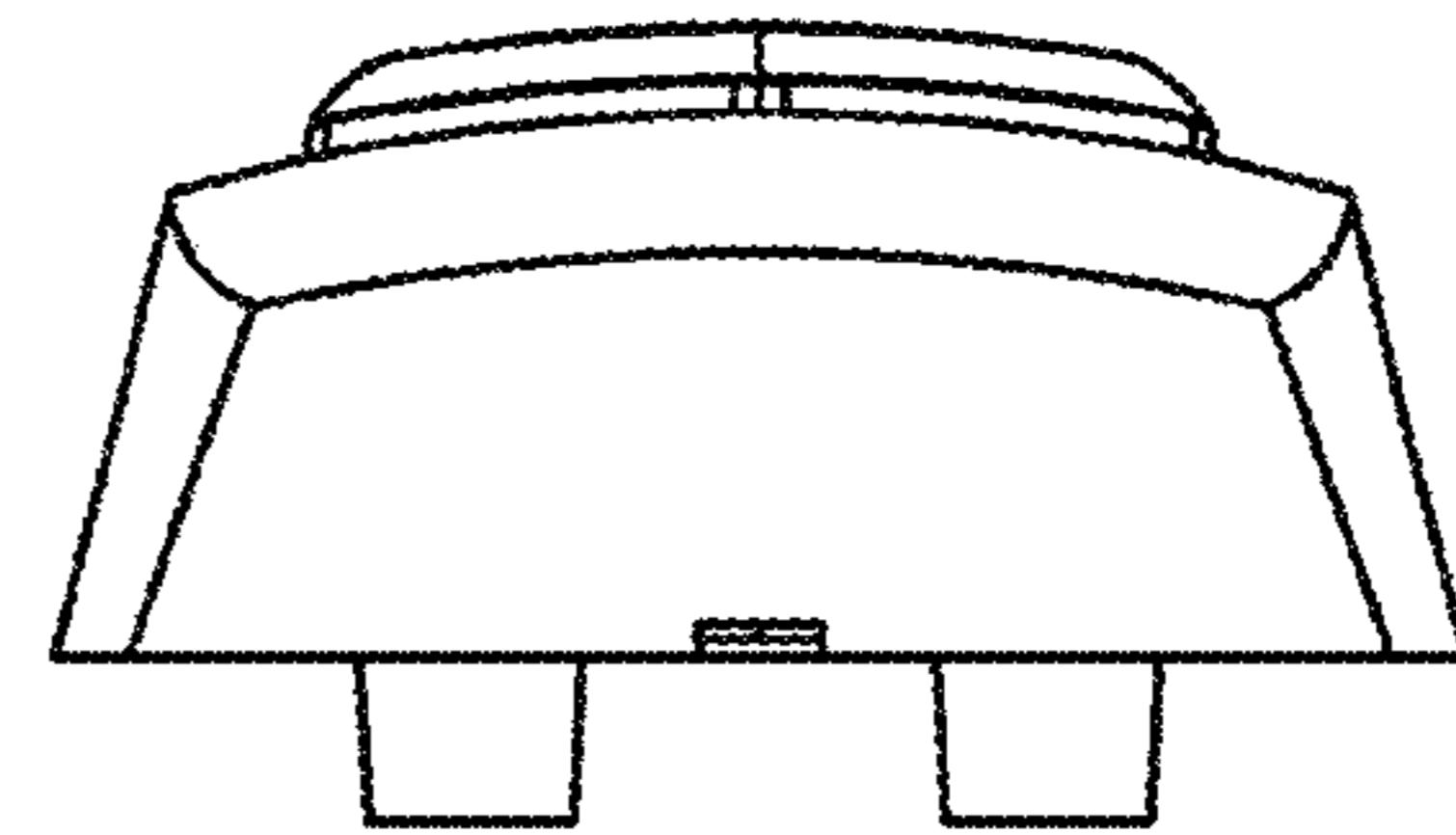


FIG. 4

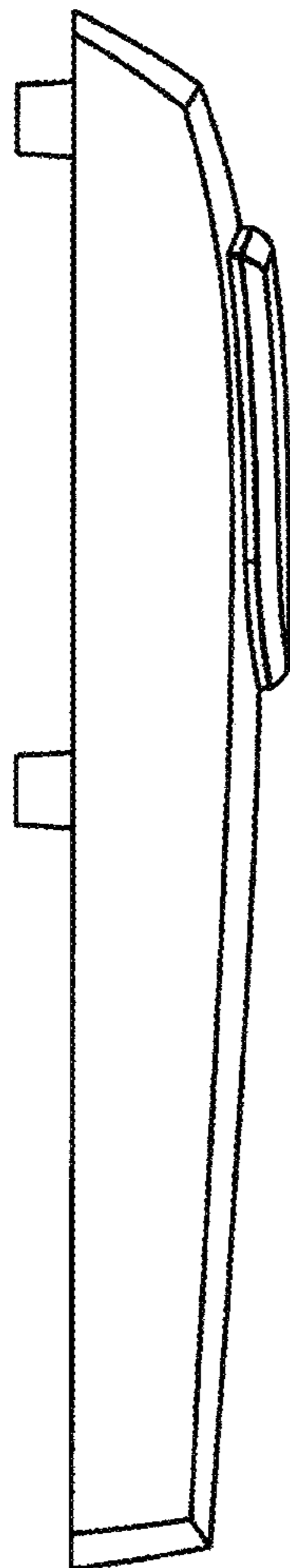


FIG. 5

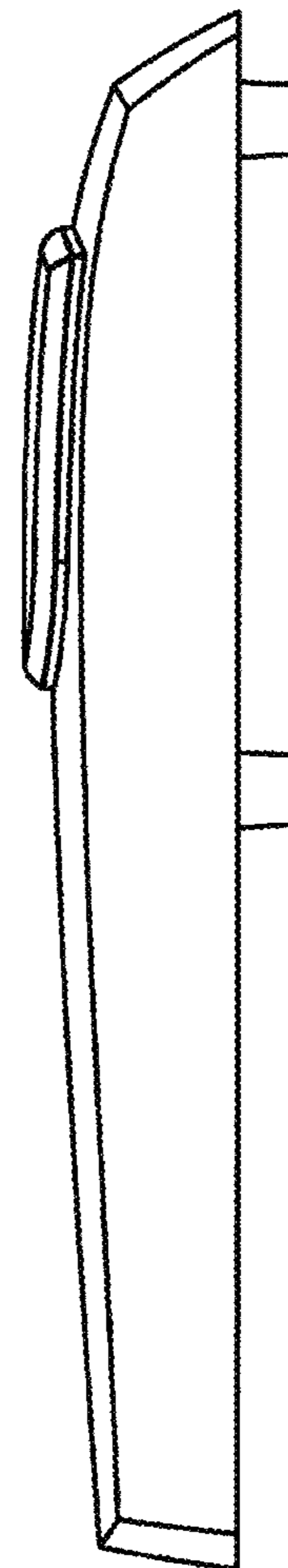


FIG. 6

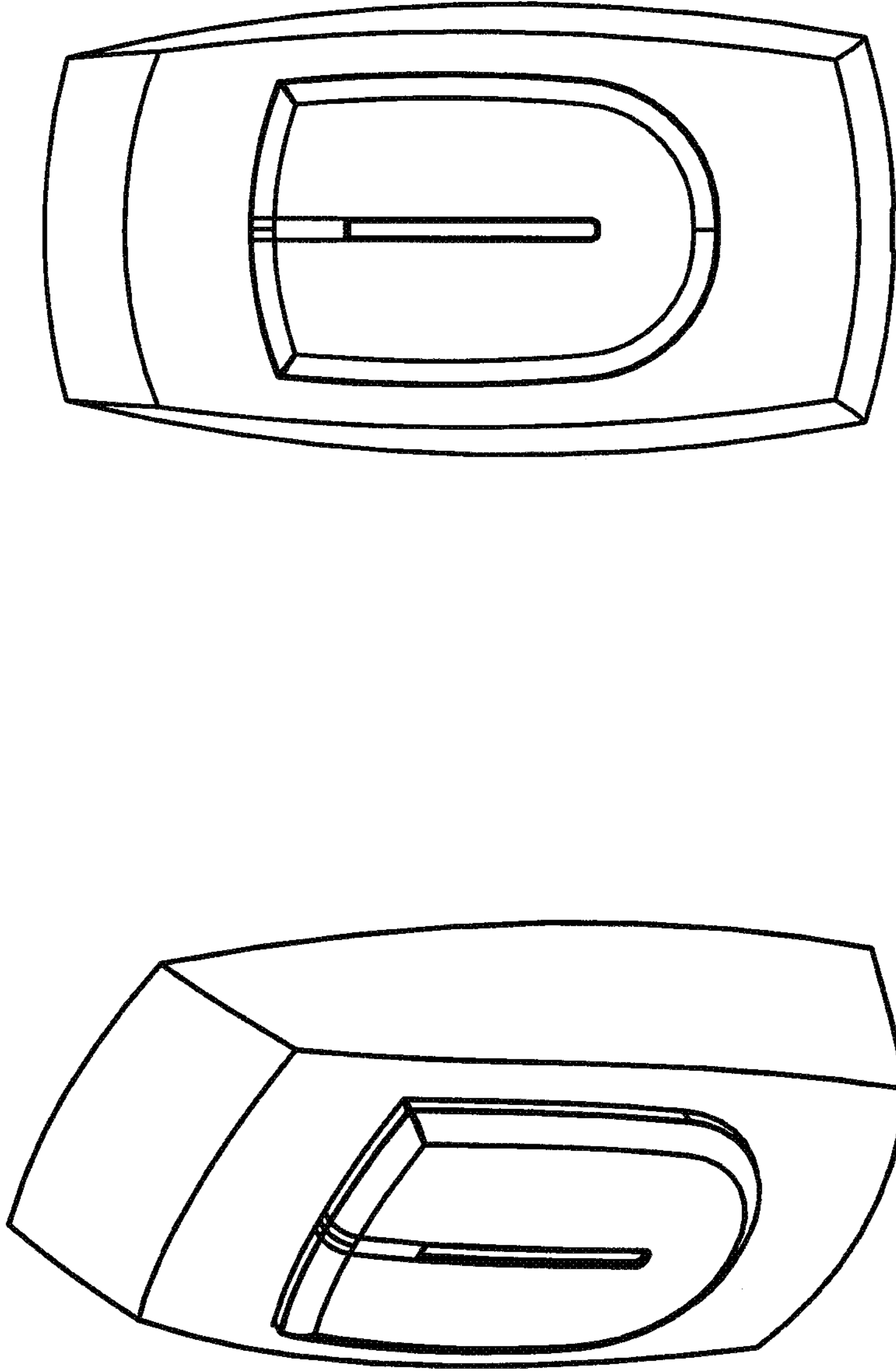


FIG. 8

FIG. 7

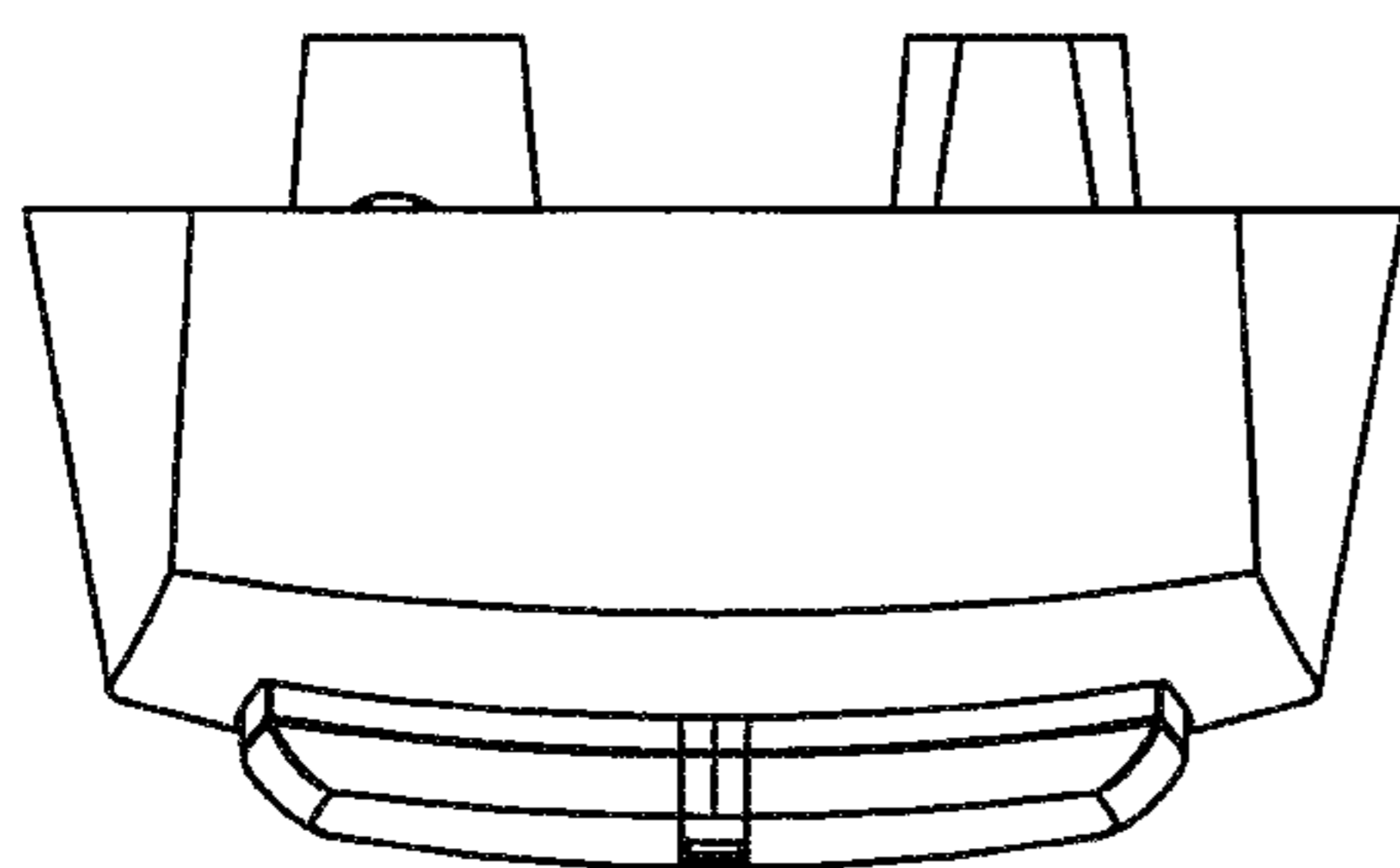


FIG. 9

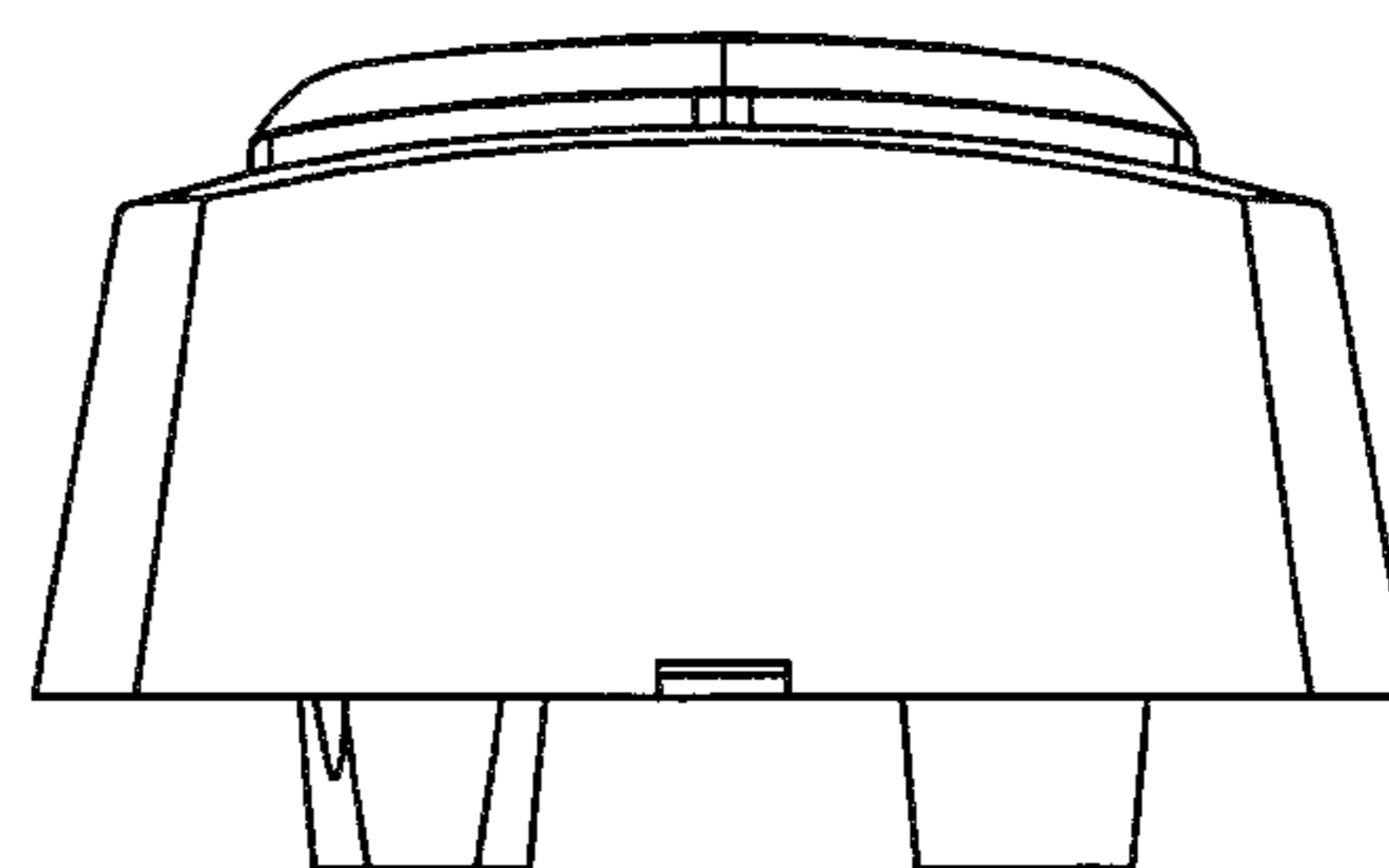


FIG. 10

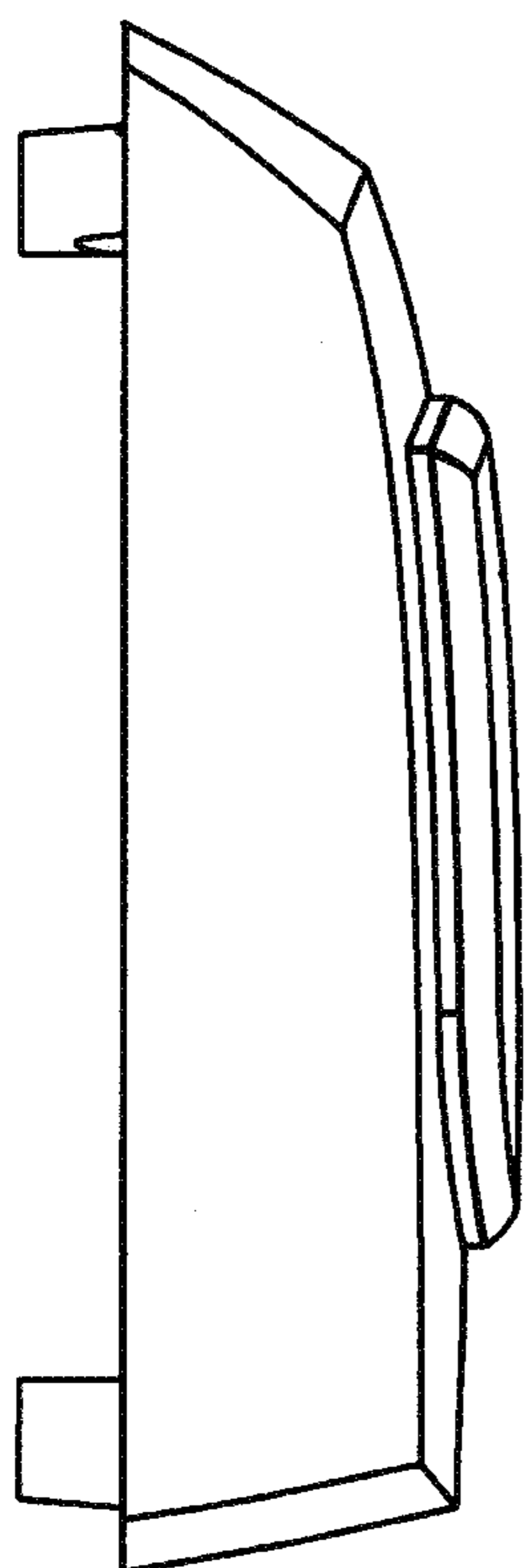


FIG. 11

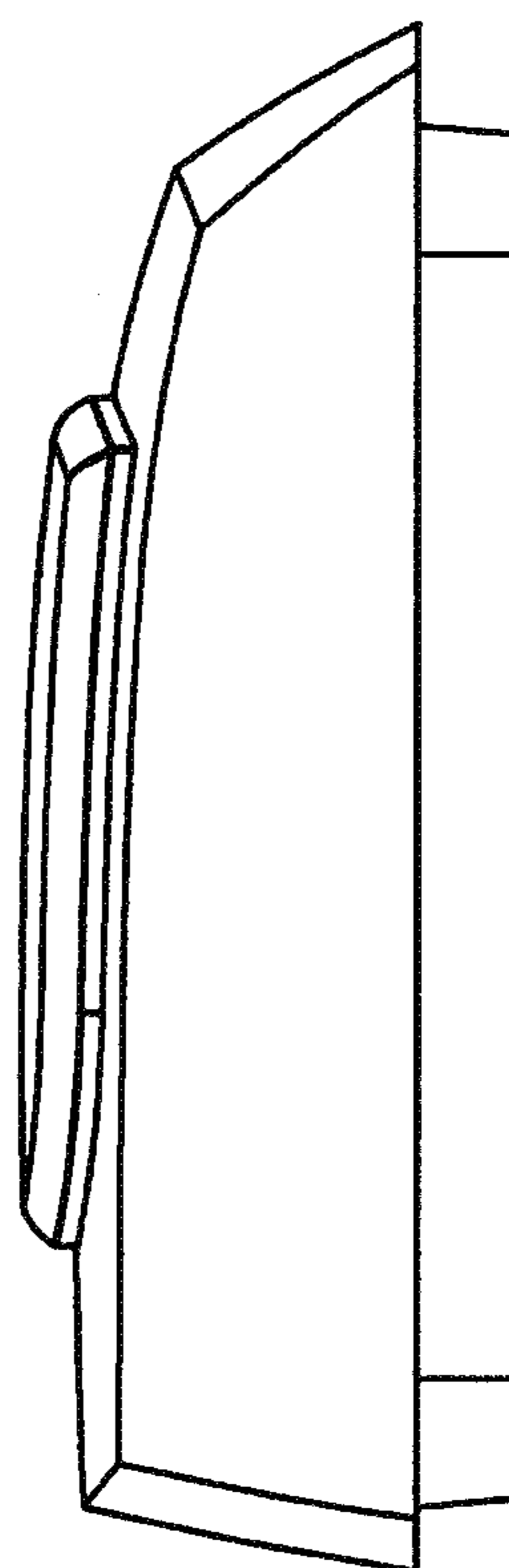


FIG. 12