



US00D813009S

(12) **United States Design Patent**  
**Lindo et al.**

(10) **Patent No.:** **US D813,009 S**  
(45) **Date of Patent:** **\*\* Mar. 20, 2018**

(54) **TILT AND SWIVEL HINGE**

**DESCRIPTION**

- (71) Applicant: **Southco, Inc.**, Concordville, PA (US)
- (72) Inventors: **Benjamin Gerald Lindo**, Philadelphia, PA (US); **John Joseph Todd, Jr.**, Springfield, PA (US); **James Joseph Ford**, West Chester, PA (US)
- (73) Assignee: **SOUTHCO, INC.**, Concordville, PA (US)
- (\*\*) Term: **15 Years**
- (21) Appl. No.: **29/544,963**
- (22) Filed: **Nov. 9, 2015**

**Related U.S. Application Data**

- (62) Division of application No. 29/453,665, filed on May 1, 2013.
- (51) **LOC (11) Cl.** ..... **08-06**
- (52) **U.S. Cl.**  
USPC ..... **D8/323**
- (58) **Field of Classification Search**  
USPC ..... D8/323, 340, 343, 333, 325, 329, 336;  
292/264; 16/387, 382, 281, 386, 211;  
248/213

(Continued)

(56) **References Cited**

**U.S. PATENT DOCUMENTS**

- 7,240,400 B2 \* 7/2007 Bonham ..... E05D 5/06  
16/238
- D718,607 S \* 12/2014 Thrush ..... D8/323

(Continued)

*Primary Examiner* — Cynthia Underwood

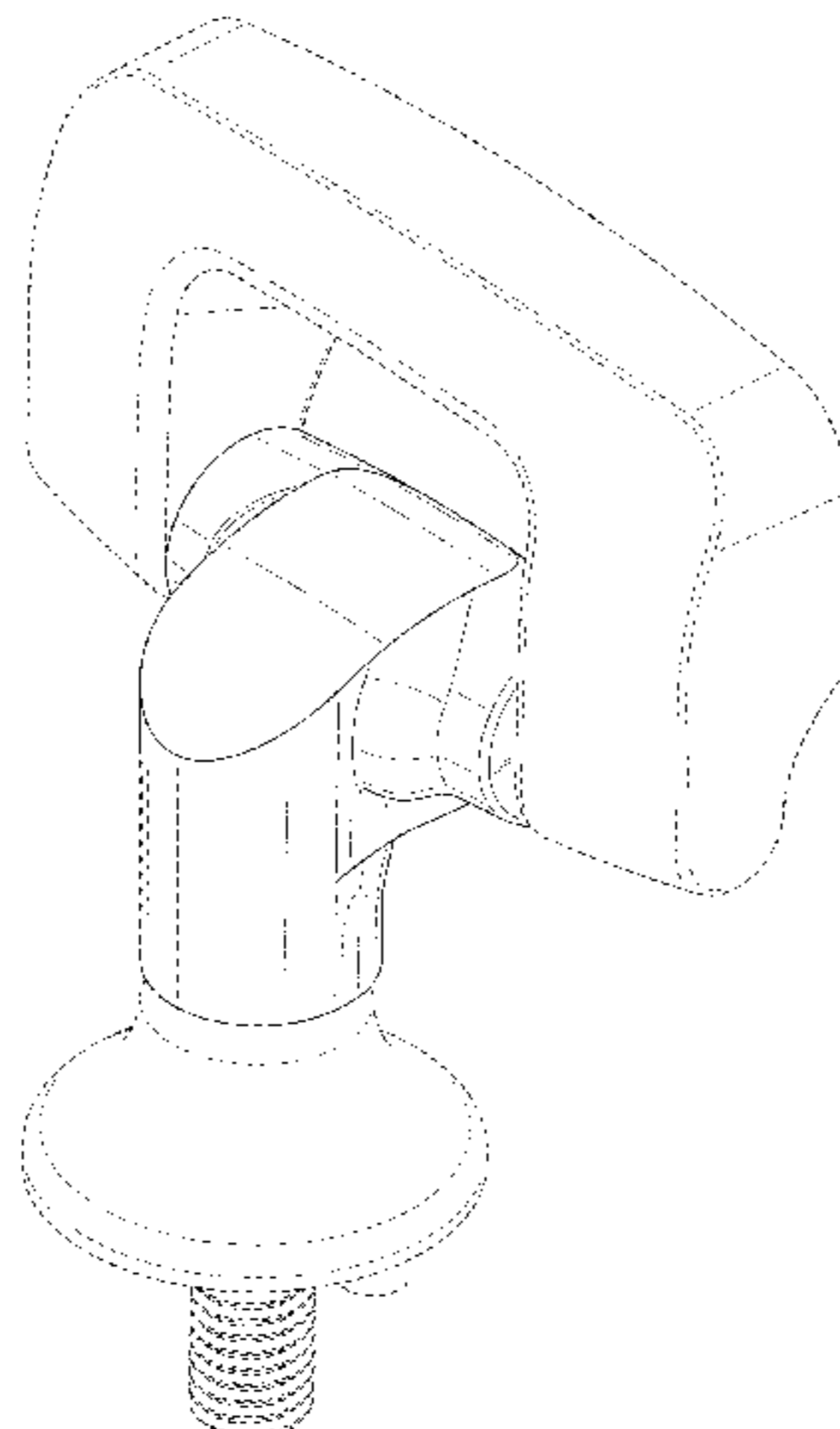
(74) *Attorney, Agent, or Firm* — RatnerPrestia

(57) **CLAIM**

The ornamental design for a tilt and swivel hinge, as shown and described.

FIG. 1 is a front isometric view taken from above the right front corner of a tilt and swivel hinge;  
 FIG. 2 is a rear isometric view taken from above the left rear corner of the tilt and swivel hinge of FIG. 1;  
 FIG. 3 is a front elevation view of the tilt and swivel hinge of FIG. 1;  
 FIG. 4 is a rear elevation view of the tilt and swivel hinge of FIG. 1;  
 FIG. 5 is a top plan view of the tilt and swivel hinge of FIG. 1;  
 FIG. 6 is a bottom plan view of the tilt and swivel hinge of FIG. 1;  
 FIG. 7 is an elevation view as viewed from the right side of the tilt and swivel hinge of FIG. 1, the left side being a mirror image of the right side;  
 FIG. 8 is a front isometric view taken from above the right front corner of the tilt and swivel hinge of FIG. 1, with a top portion of the tilt and swivel hinge shown rotated within a range of alternative positions to reveal features of a central portion of the tilt and swivel hinge;  
 FIG. 9 is a rear isometric view taken from above the left rear corner of the tilt and swivel hinge of FIG. 8;  
 FIG. 10 is a front elevation view of the tilt and swivel hinge of FIG. 8;  
 FIG. 11 is a rear elevation view of the tilt and swivel hinge of FIG. 8;  
 FIG. 12 is a top plan view of the tilt and swivel hinge of FIG. 8;  
 FIG. 13 is a bottom plan view of the tilt and swivel hinge of FIG. 8; and,  
 FIG. 14 is an elevation view as viewed from the right side of the tilt and swivel hinge of FIG. 8, the left side being a mirror image of the right side.  
 The broken line showing of the tilt and swivel hinge is for the purpose of illustration and forms no part of the claimed design.

**1 Claim, 14 Drawing Sheets**



(58) **Field of Classification Search**

CPC ..... E05D 1/04; E05D 11/1014; E05D 11/00;  
E05B 73/007; E05B 65/50; E05C 17/365;  
E05C 17/36; E05C 17/025; B21D 53/40;  
F16M 13/02

See application file for complete search history.

(56) **References Cited**

U.S. PATENT DOCUMENTS

D719,810 S	*	12/2014	Lu .....	D8/323
D793,200 S	*	8/2017	Zyman Beer .....	D8/315
D793,646 S	*	8/2017	Bacallao .....	D34/27

\* cited by examiner

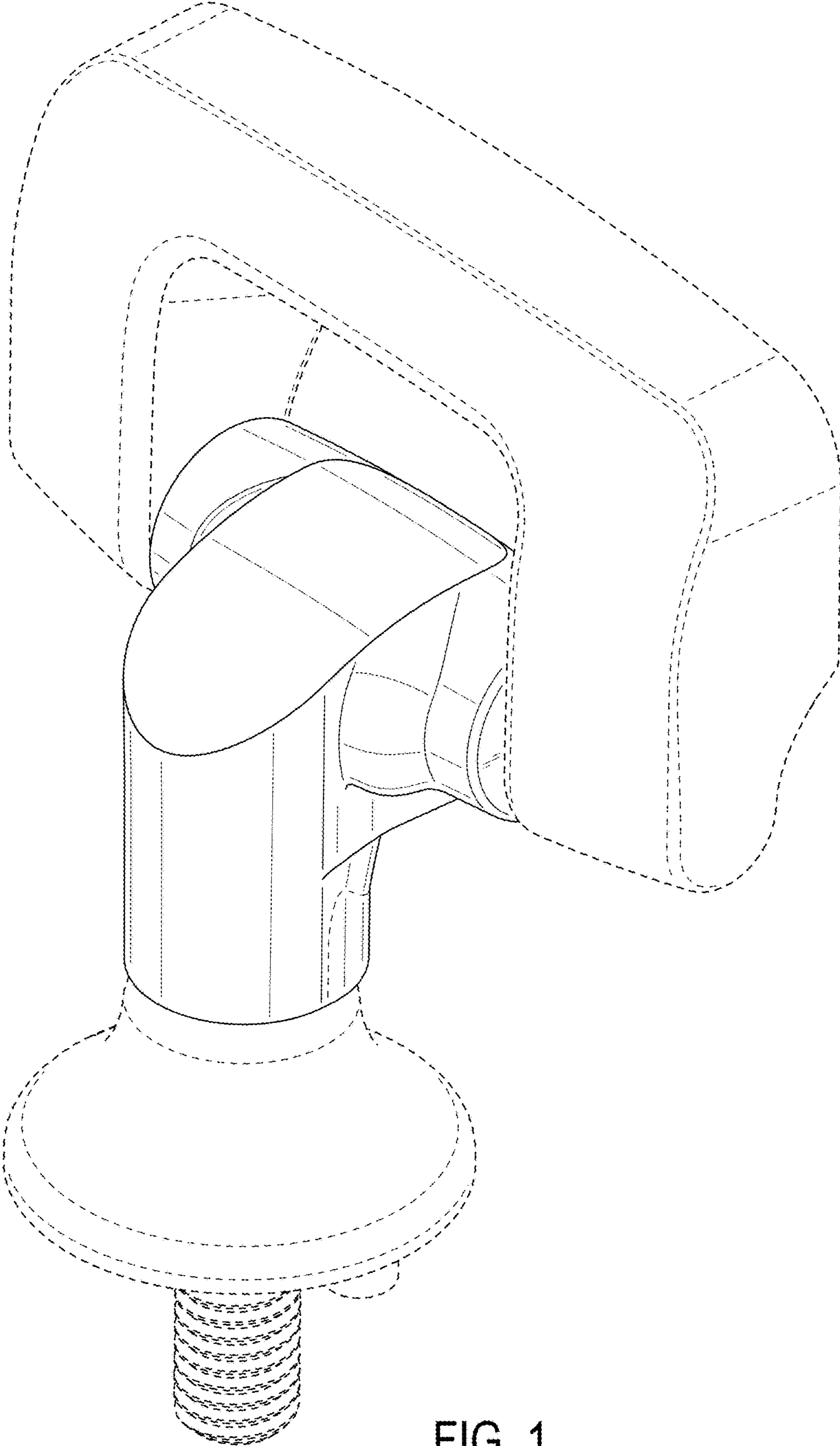


FIG. 1

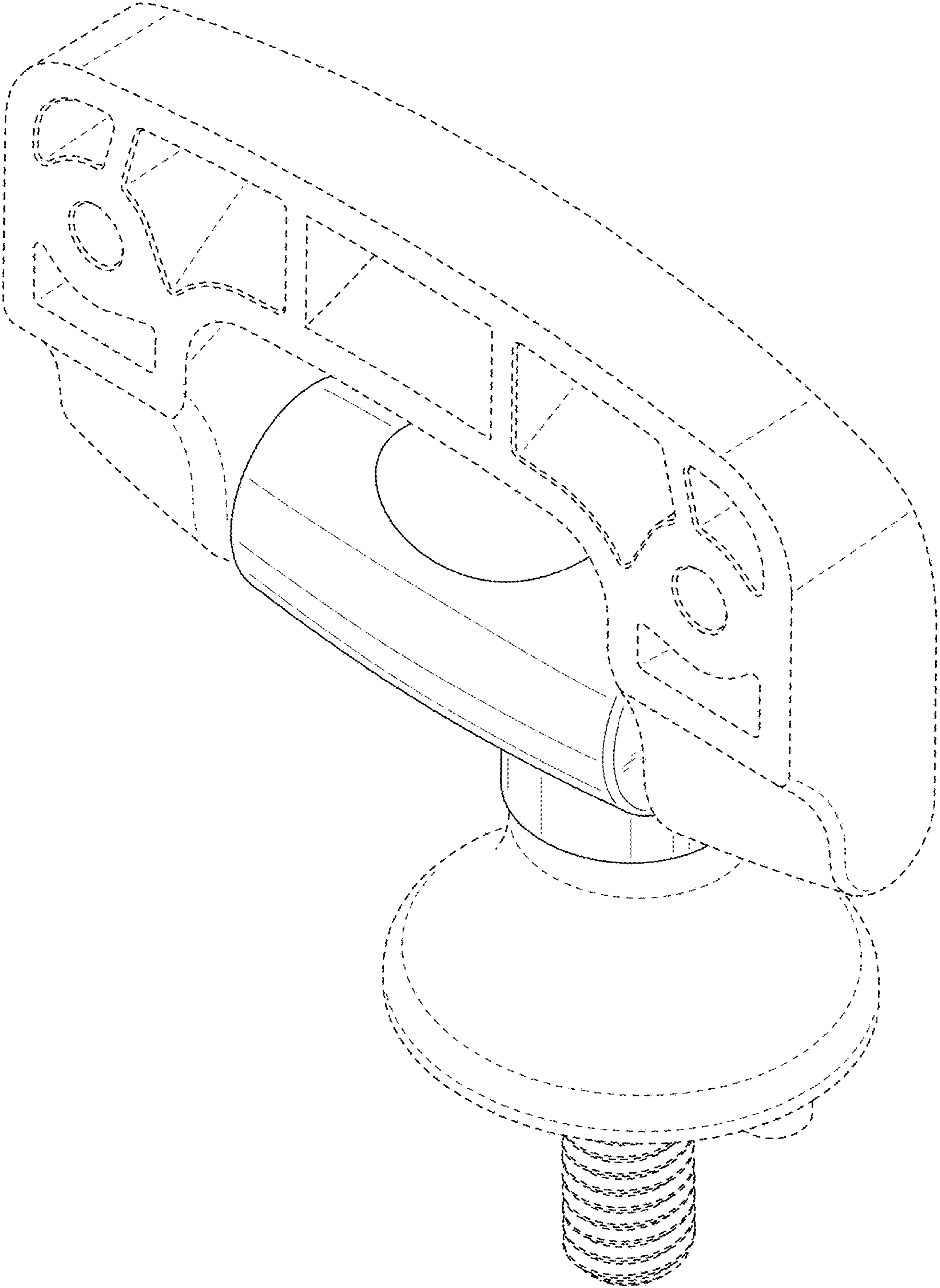


FIG. 2

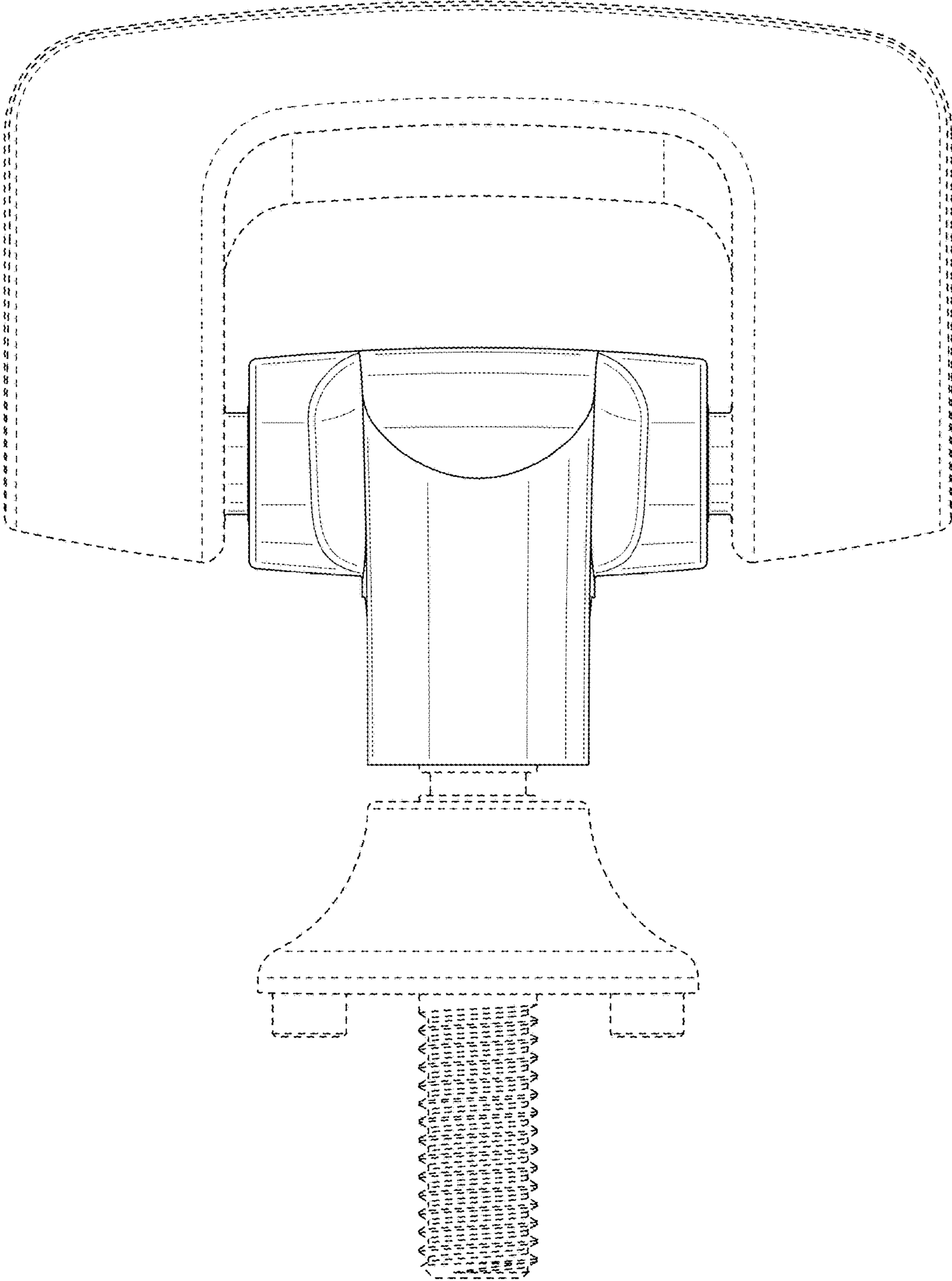


FIG. 3

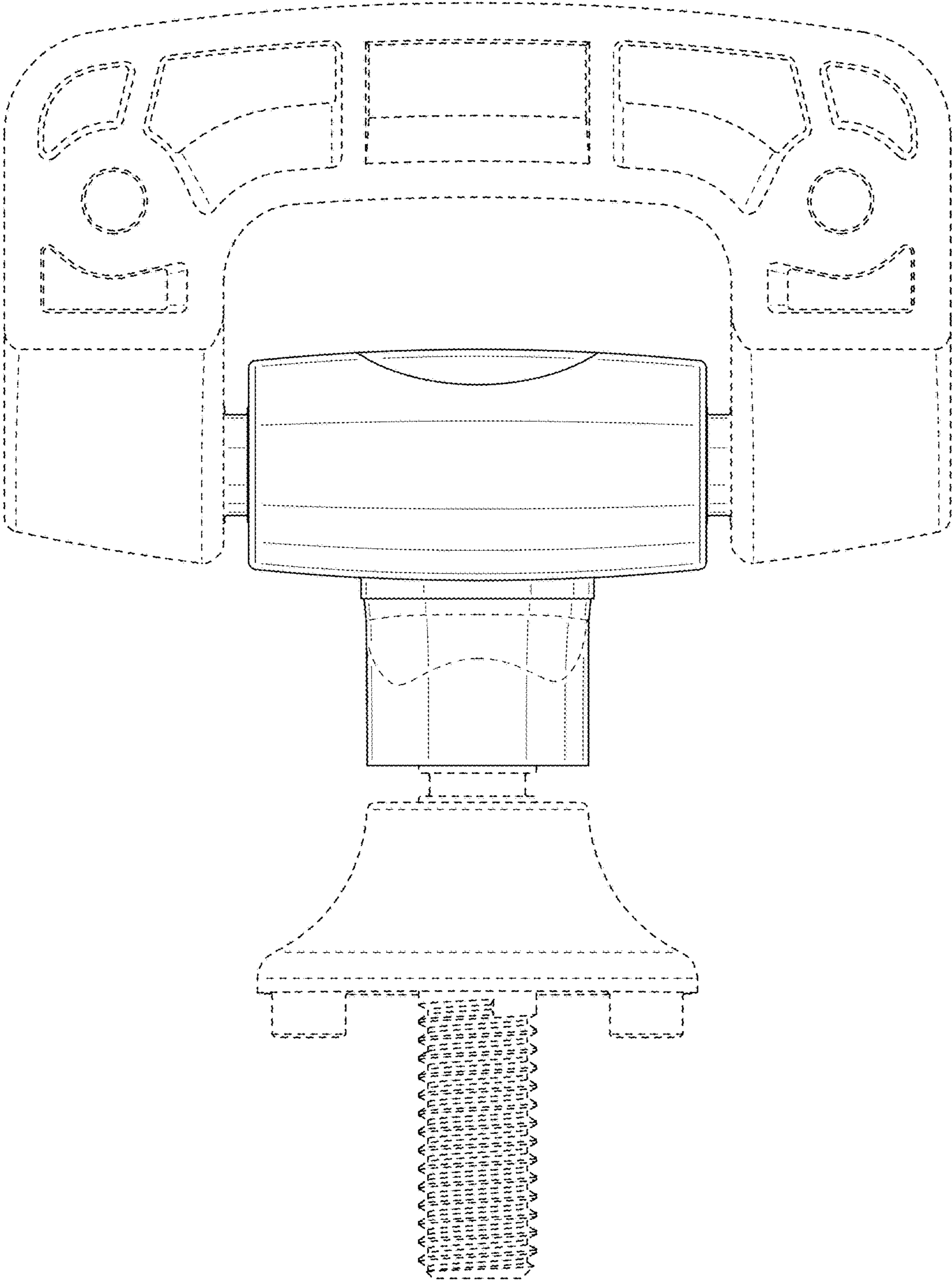


FIG. 4

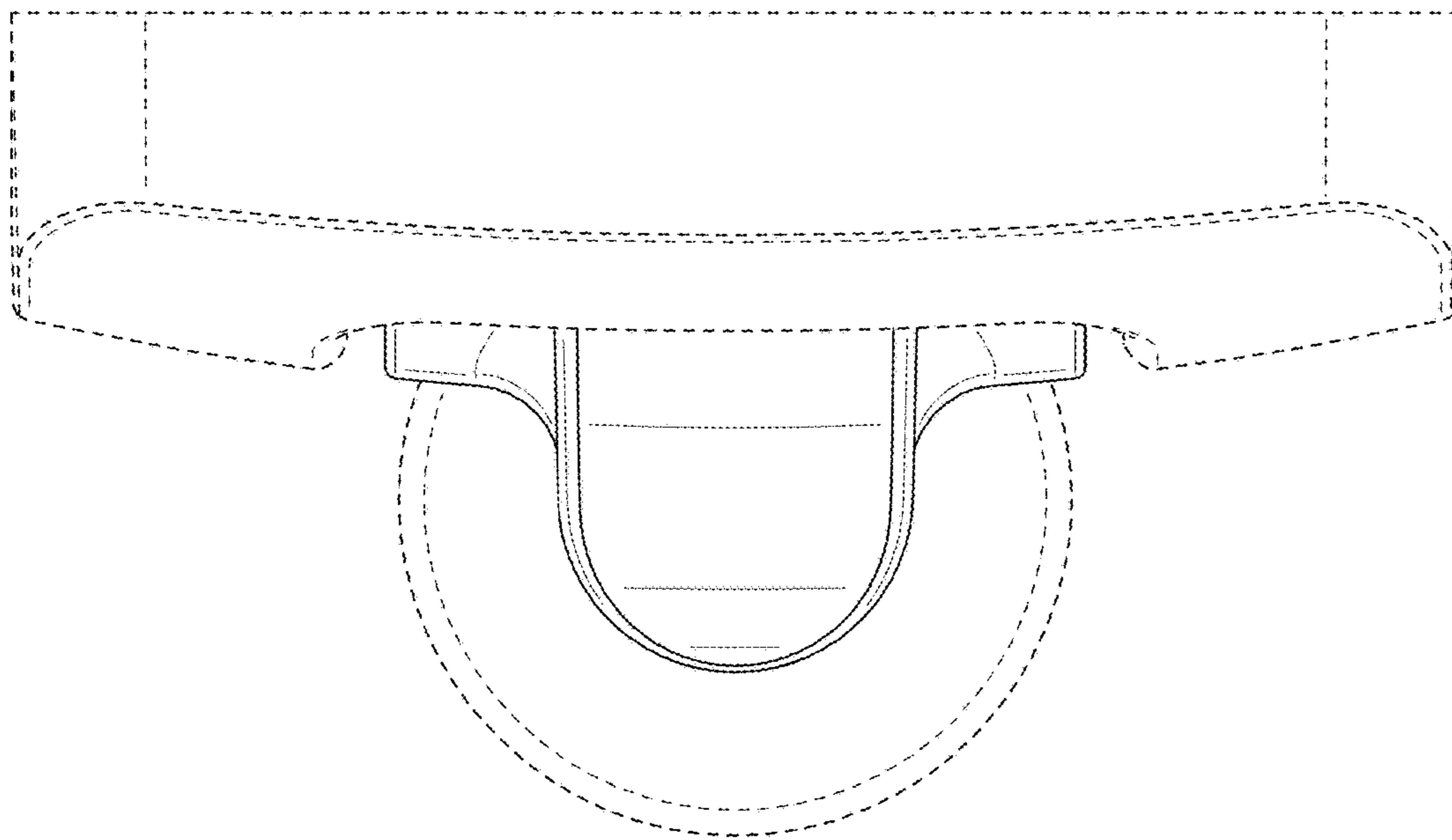


FIG. 5

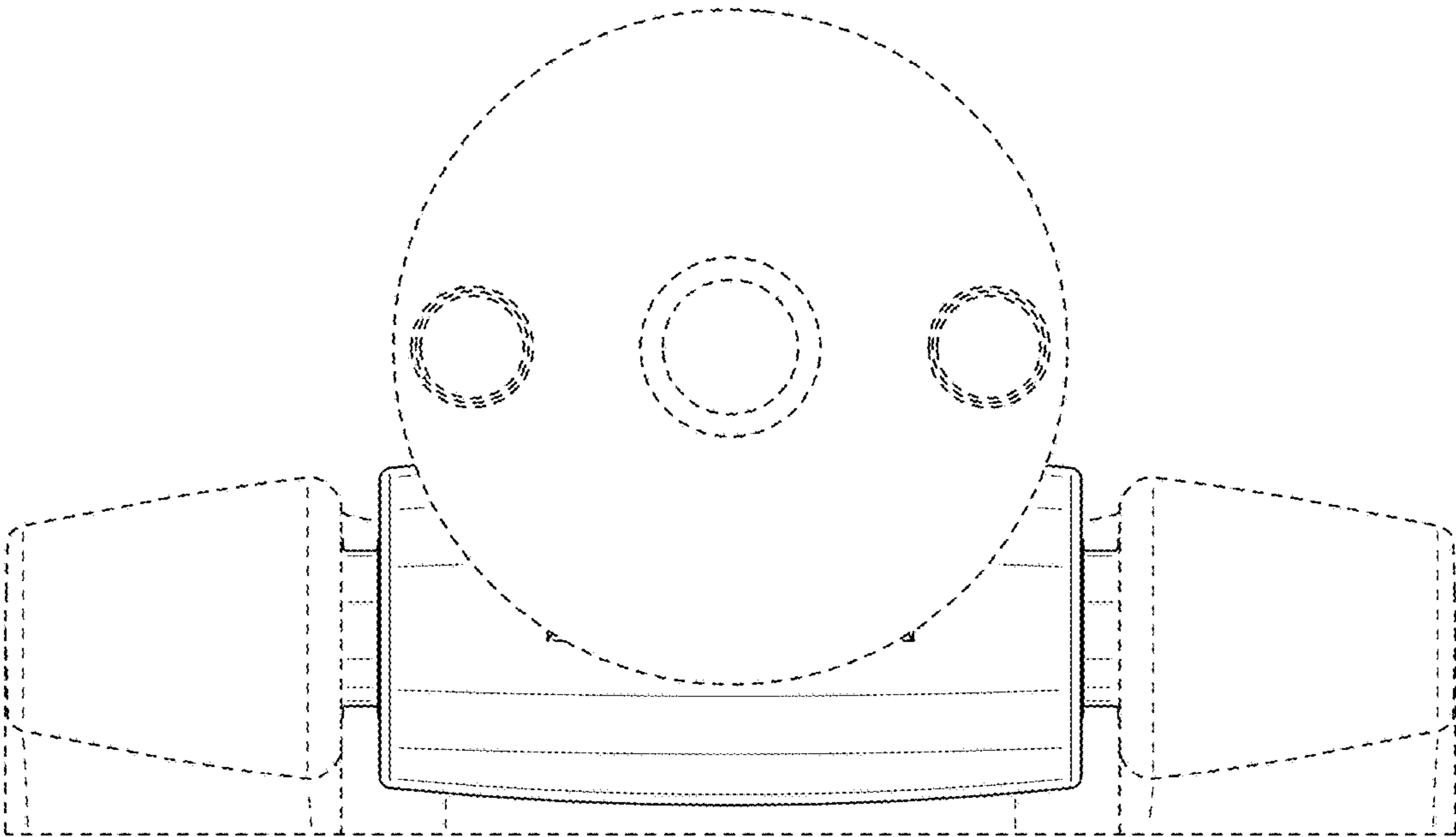


FIG. 6



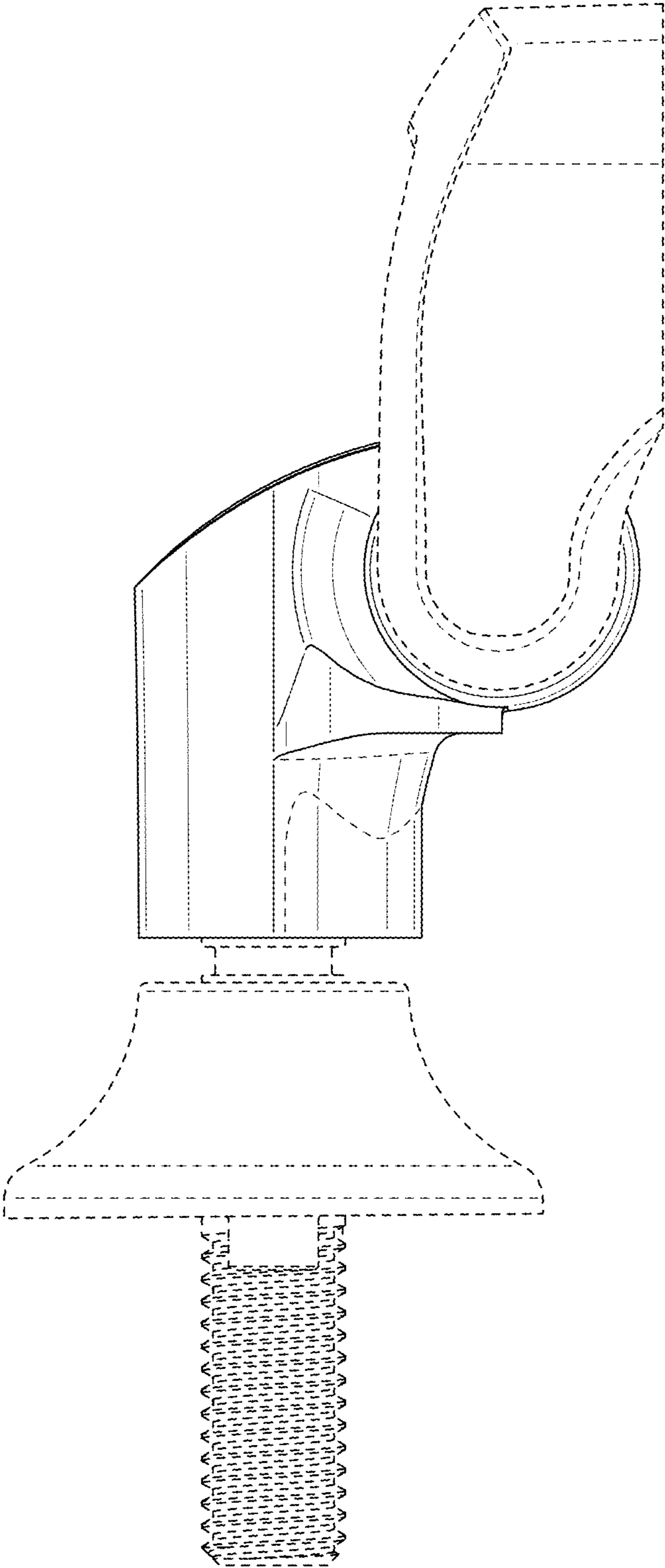


FIG. 7

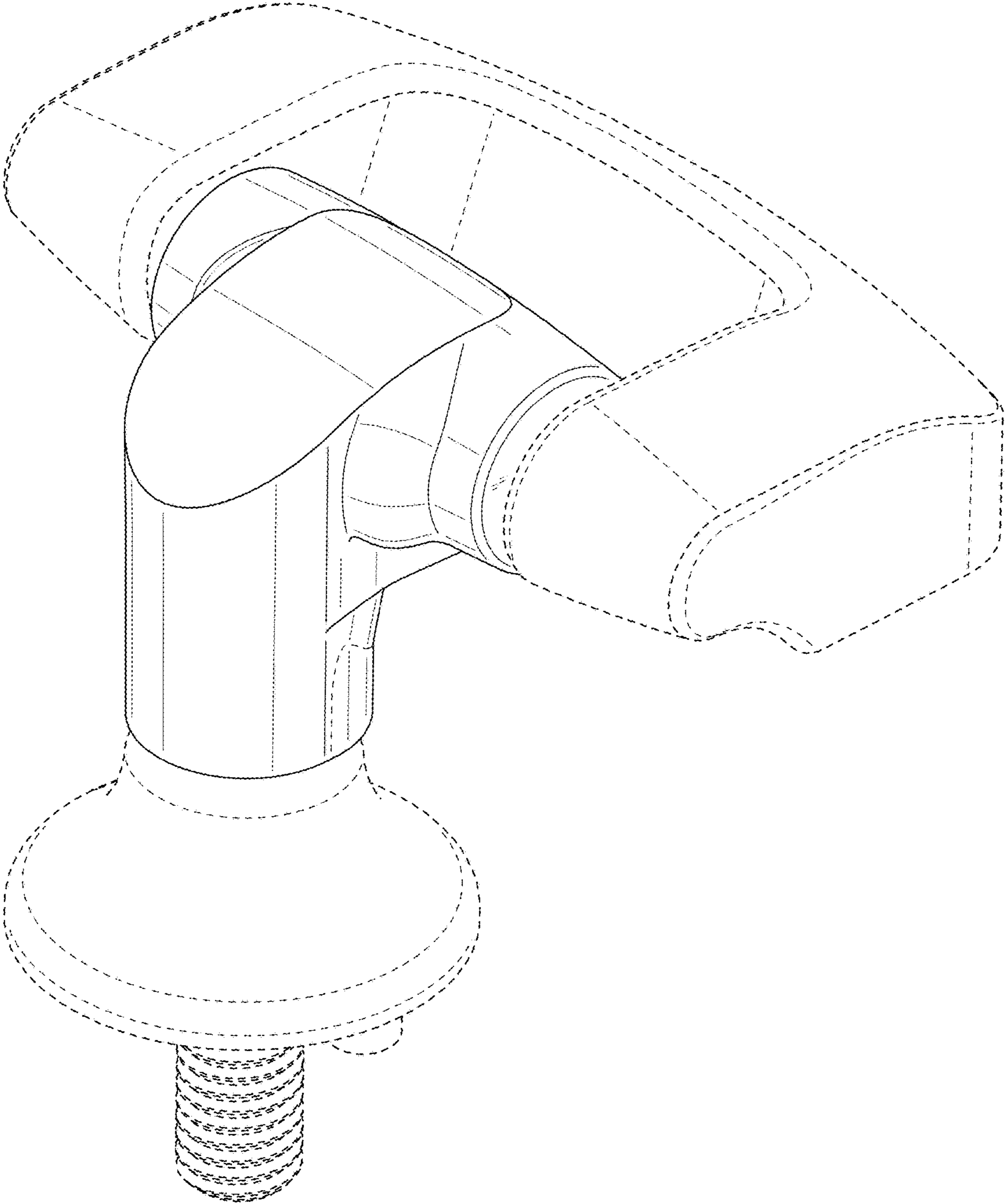


FIG. 8

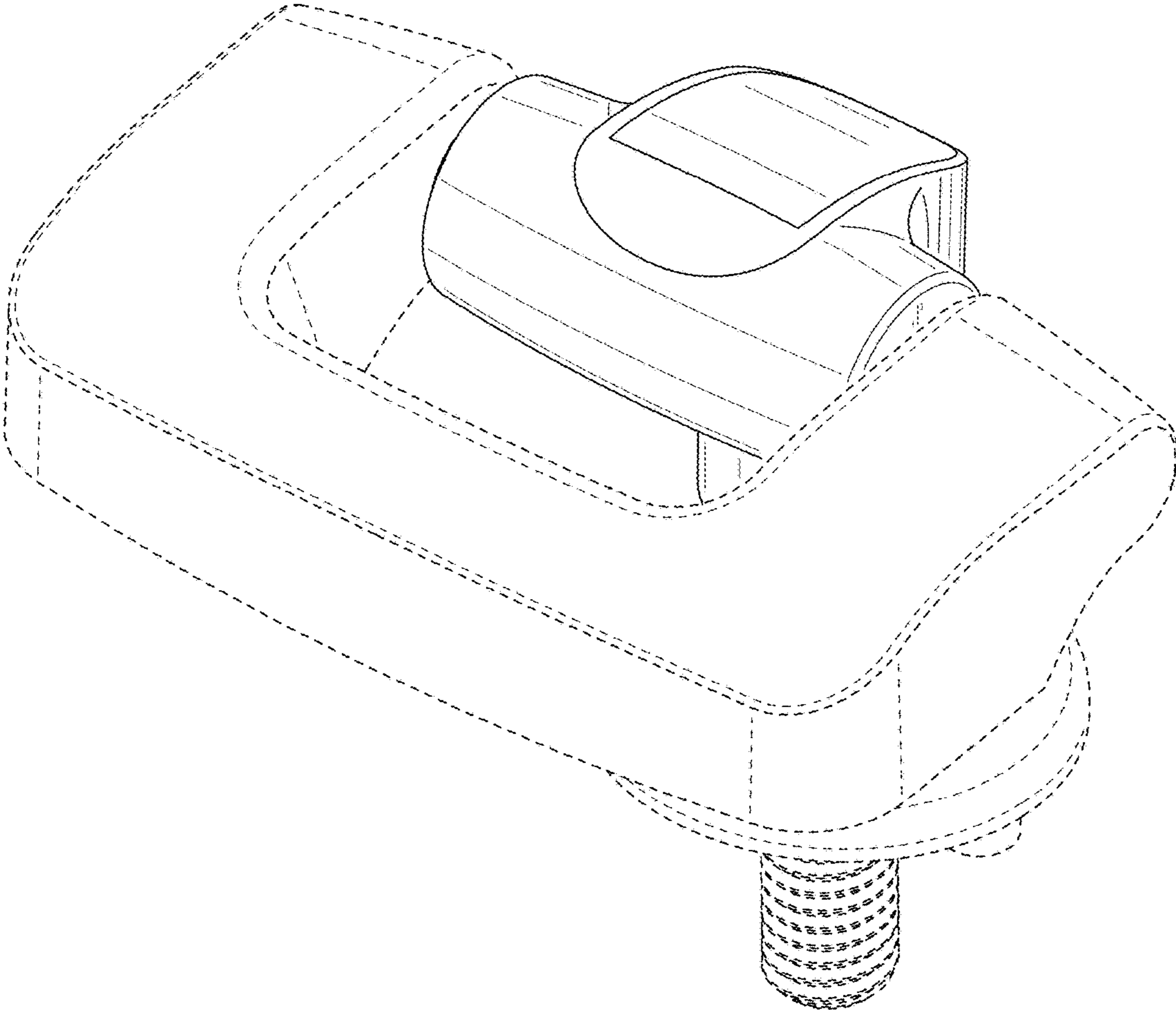


FIG. 9

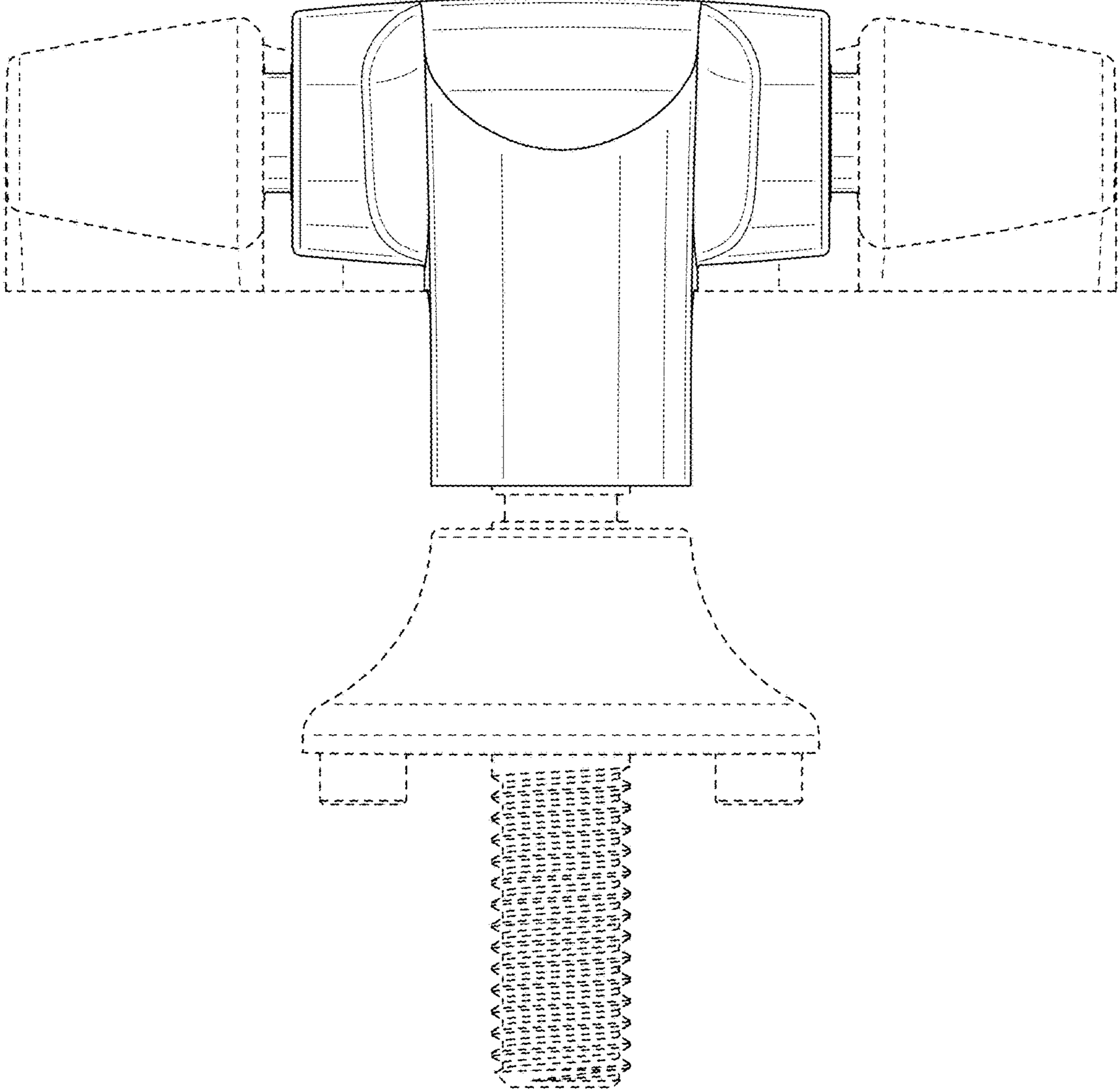


FIG. 10

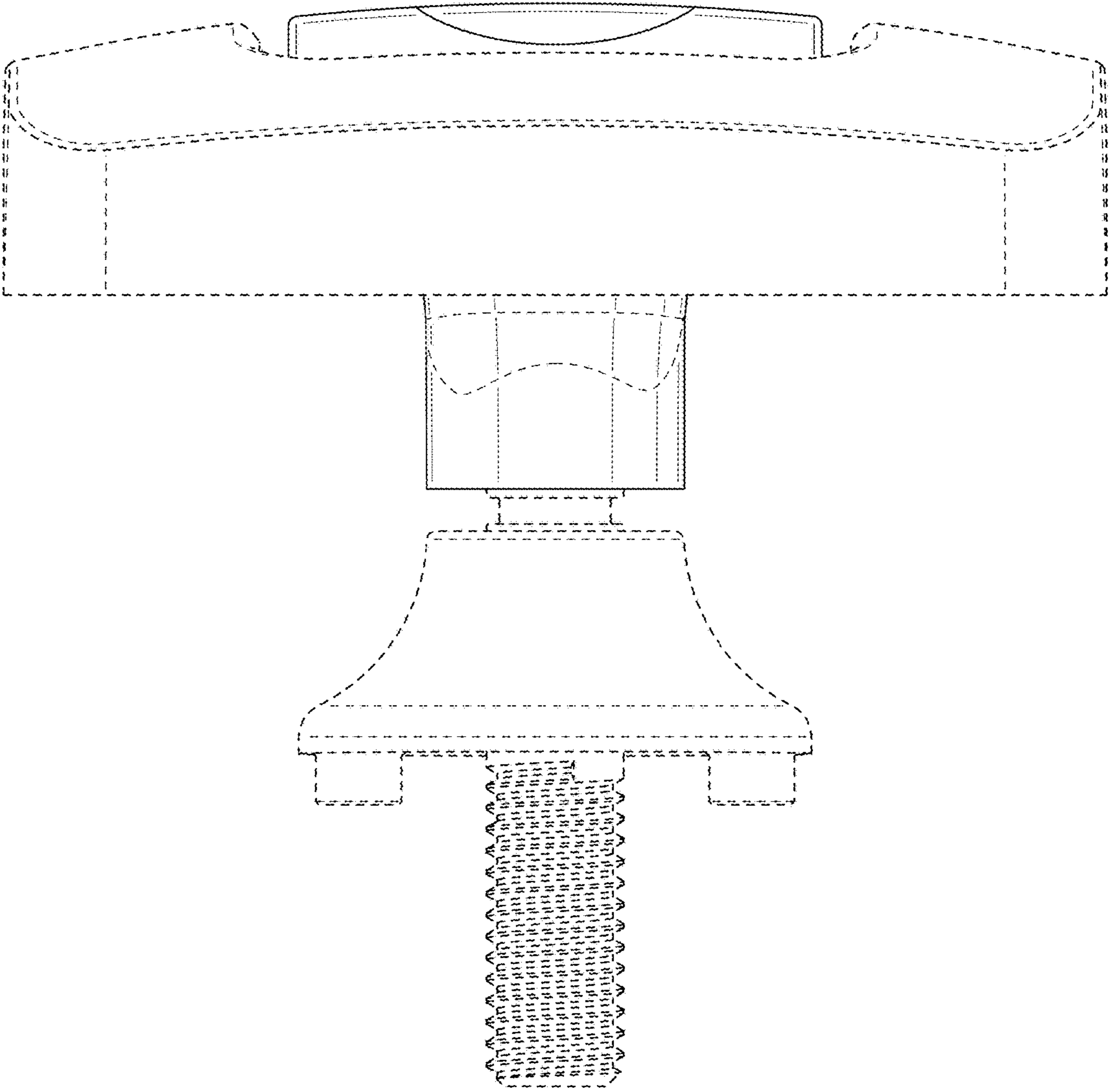


FIG. 11

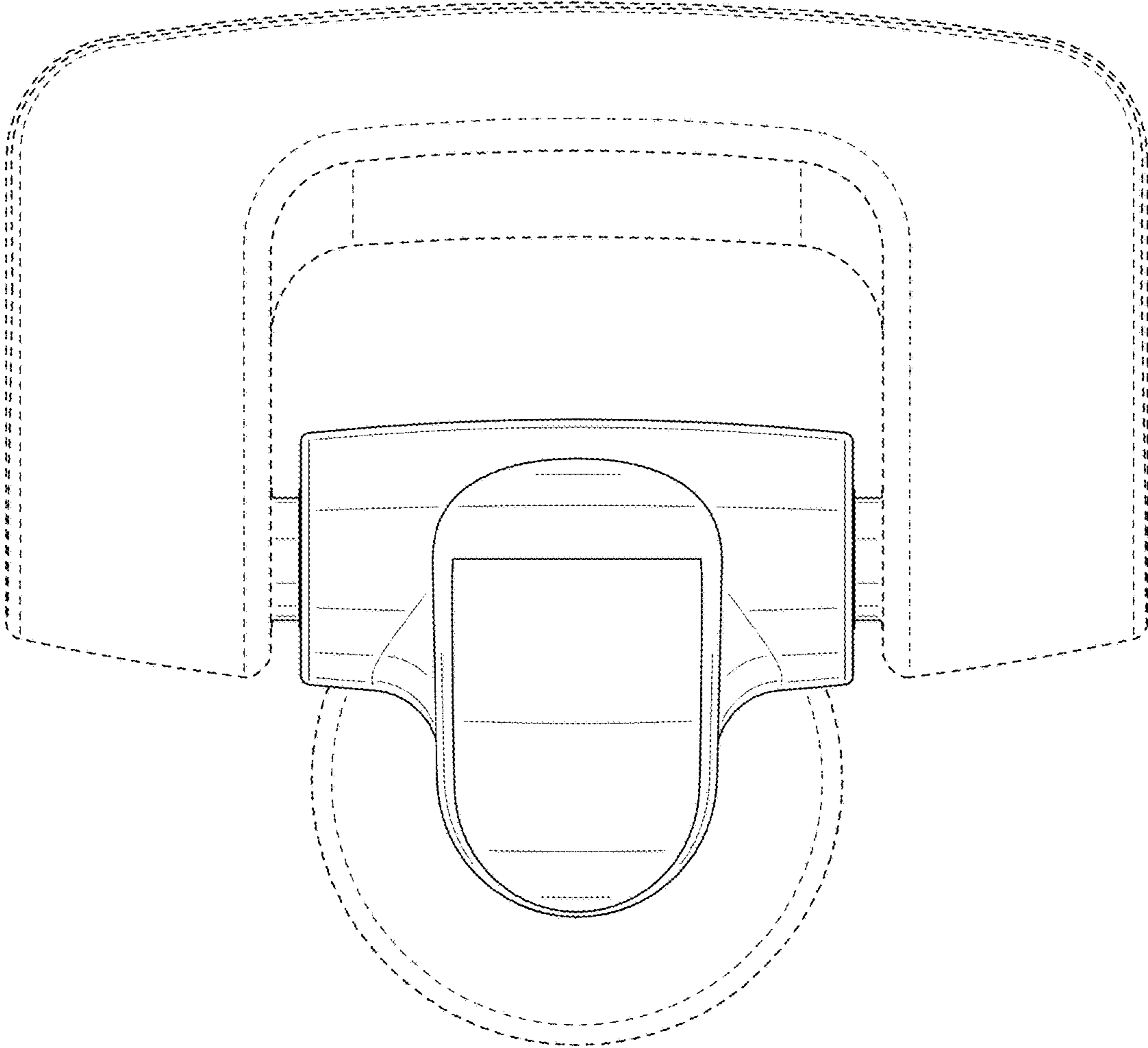


FIG. 12

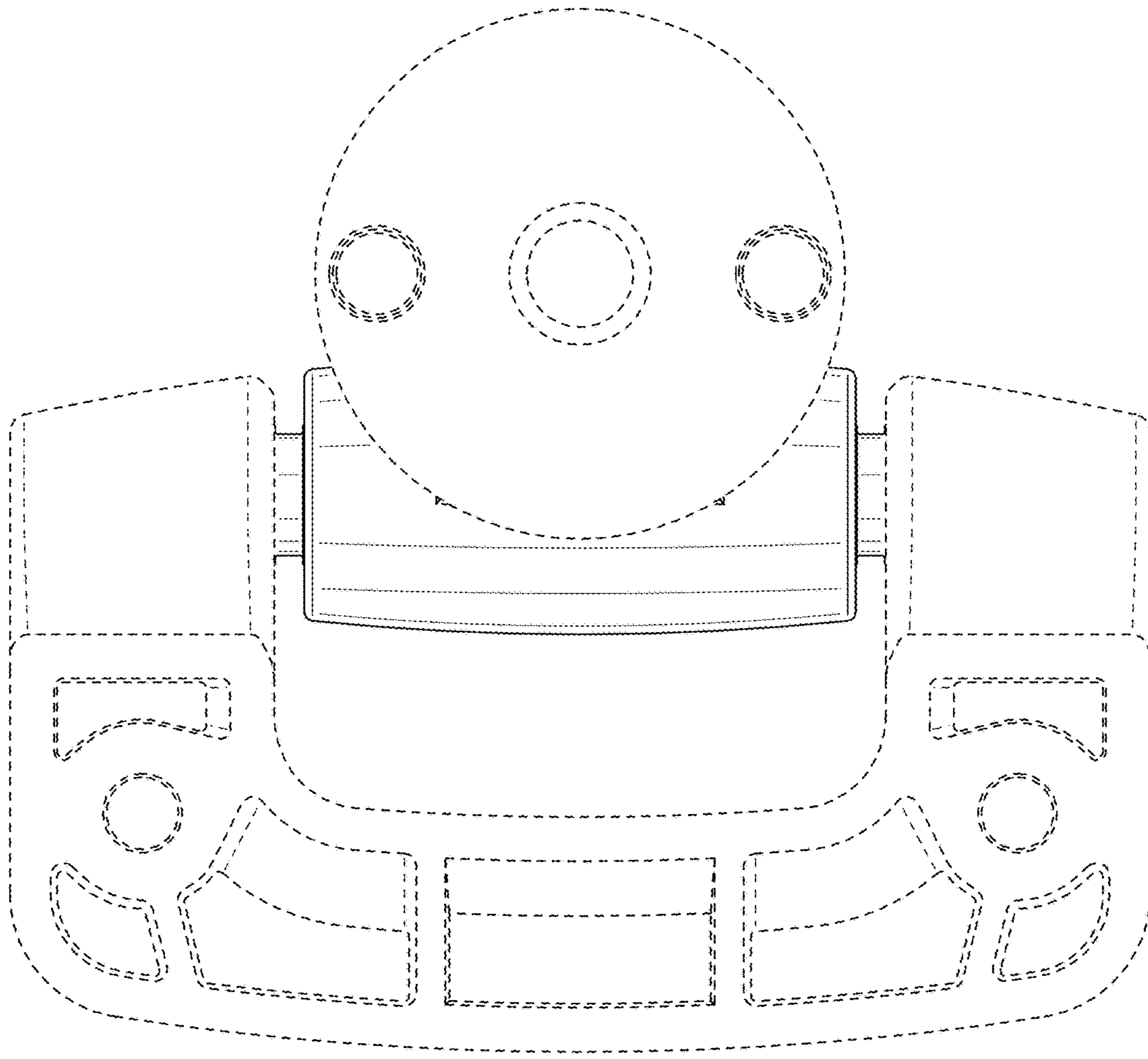


FIG. 13

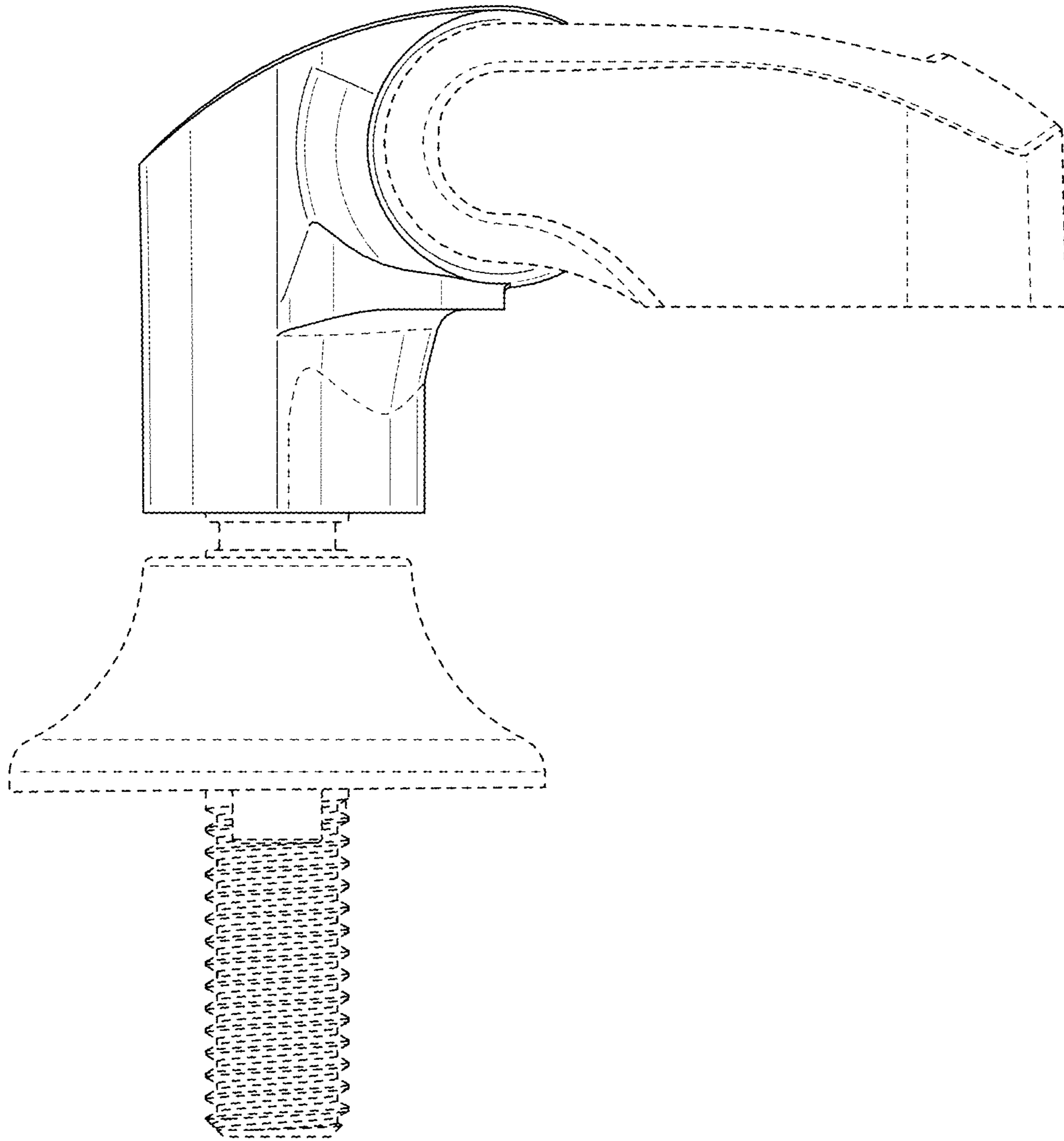


FIG. 14