



US00D813008S

(12) **United States Design Patent**
Stefnitz

(10) **Patent No.:** **US D813,008 S**
(45) **Date of Patent:** **** Mar. 20, 2018**

(54) **HANDLE**
(71) Applicant: **John Stefnitz**, Waterdown (CA)
(72) Inventor: **John Stefnitz**, Waterdown (CA)
(**) Term: **15 Years**
(21) Appl. No.: **29/563,357**
(22) Filed: **May 4, 2016**
(51) **LOC (11) Cl.** **08-06**
(52) **U.S. Cl.**
USPC **D8/316**
(58) **Field of Classification Search**
USPC D8/300, 301, 302, 313, 315, 316, 318,
D8/319, 320; D6/546, 549; D7/393,
D7/394; 16/110.1, 412, 413, 415, 419,
16/422, 424, 425, 430, 436, 438, DIG. 19;
D15/89
CPC Y10T 16/469; Y10T 16/44; Y10T 16/498;
Y10T 16/459; Y10T 74/20732; Y10T
16/462; Y10T 29/49826; Y10T 16/4559;
Y10T 74/20864; Y10T 16/4628; Y10T
407/1825; Y10T 408/96; Y10T 74/20612;
Y10T 137/6024; B25G 1/10; B25G 1/00;
B25G 3/00
See application file for complete search history.

D198,494 S * 6/1964 Cutler D8/315
3,701,558 A * 10/1972 Baker B65D 25/2867
206/162
3,861,733 A * 1/1975 Vander Mey B08B 11/02
206/832
3,923,191 A * 12/1975 Johnson B65D 25/2867
16/422
D258,408 S * 3/1981 Berkan, Jr. D7/394
4,922,576 A * 5/1990 Weidner E05B 1/0015
16/413
6,631,536 B2 * 10/2003 Feldmeyer A45F 5/10
16/422
D498,406 S * 11/2004 Adler D8/316
D520,813 S * 5/2006 Chung D7/402
D573,825 S * 7/2008 Rubin D6/546
D583,214 S * 12/2008 Braun D15/89

* cited by examiner

Primary Examiner — Lauren R Calve

(57) **CLAIM**

The ornamental design for a handle, as shown and described.

DESCRIPTION

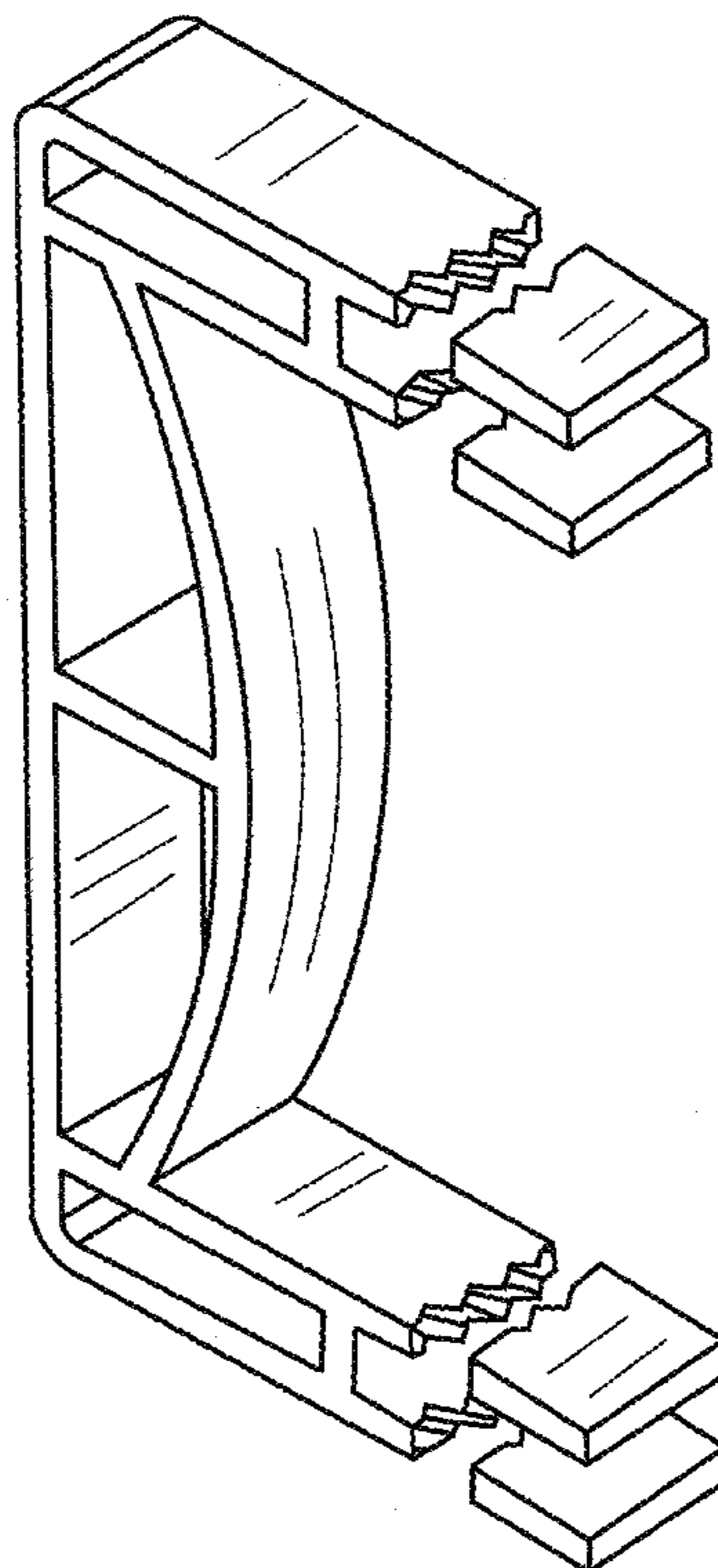
FIG. 1 is top plan view of a handle according to the present design.
FIG. 2 is a right elevation view thereof, the left elevation view being identical.
FIG. 3 is top right perspective view thereof; and,
FIG. 4 is a bottom right perspective view thereof.
The claim is shown with a symbolic break in its length. The appearance of any portion of the article between the break lines forms no part of the claimed design.

(56) **References Cited**

U.S. PATENT DOCUMENTS

D63,201 S * 10/1923 Schnitzer et al. D7/394
D186,811 S * 12/1959 Hillgren D8/316

1 Claim, 4 Drawing Sheets



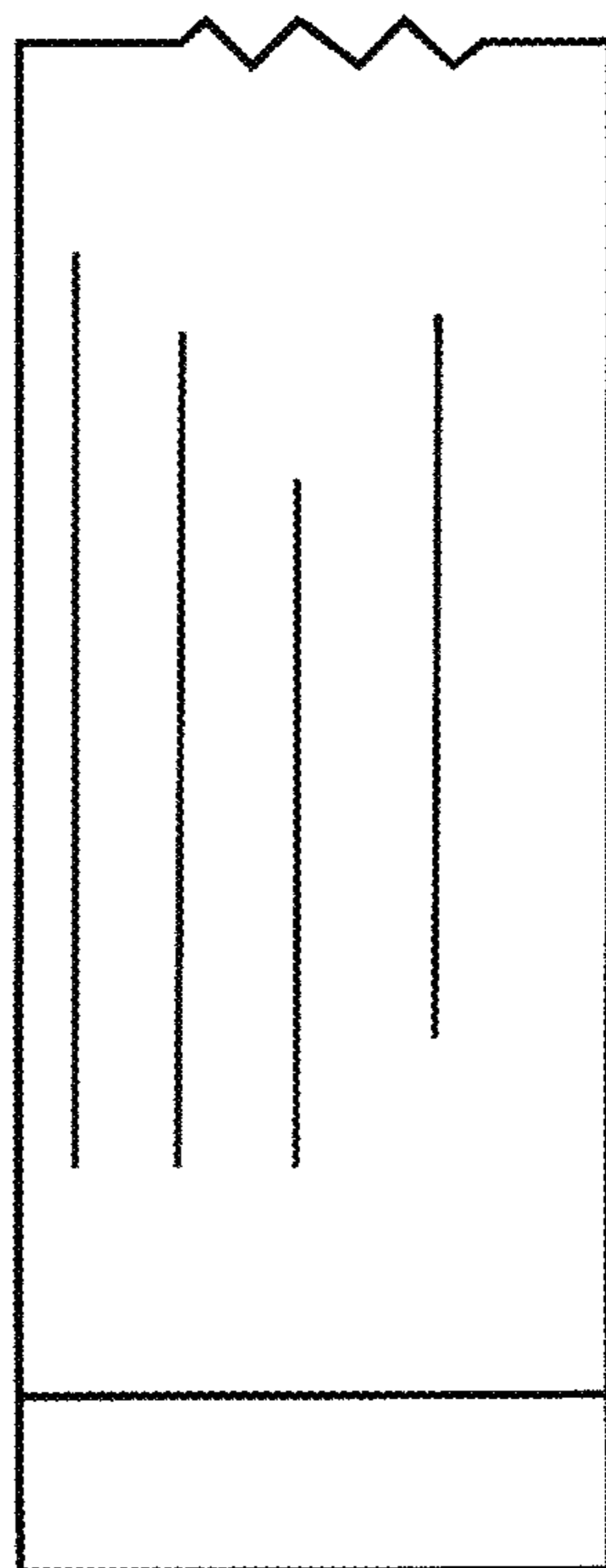
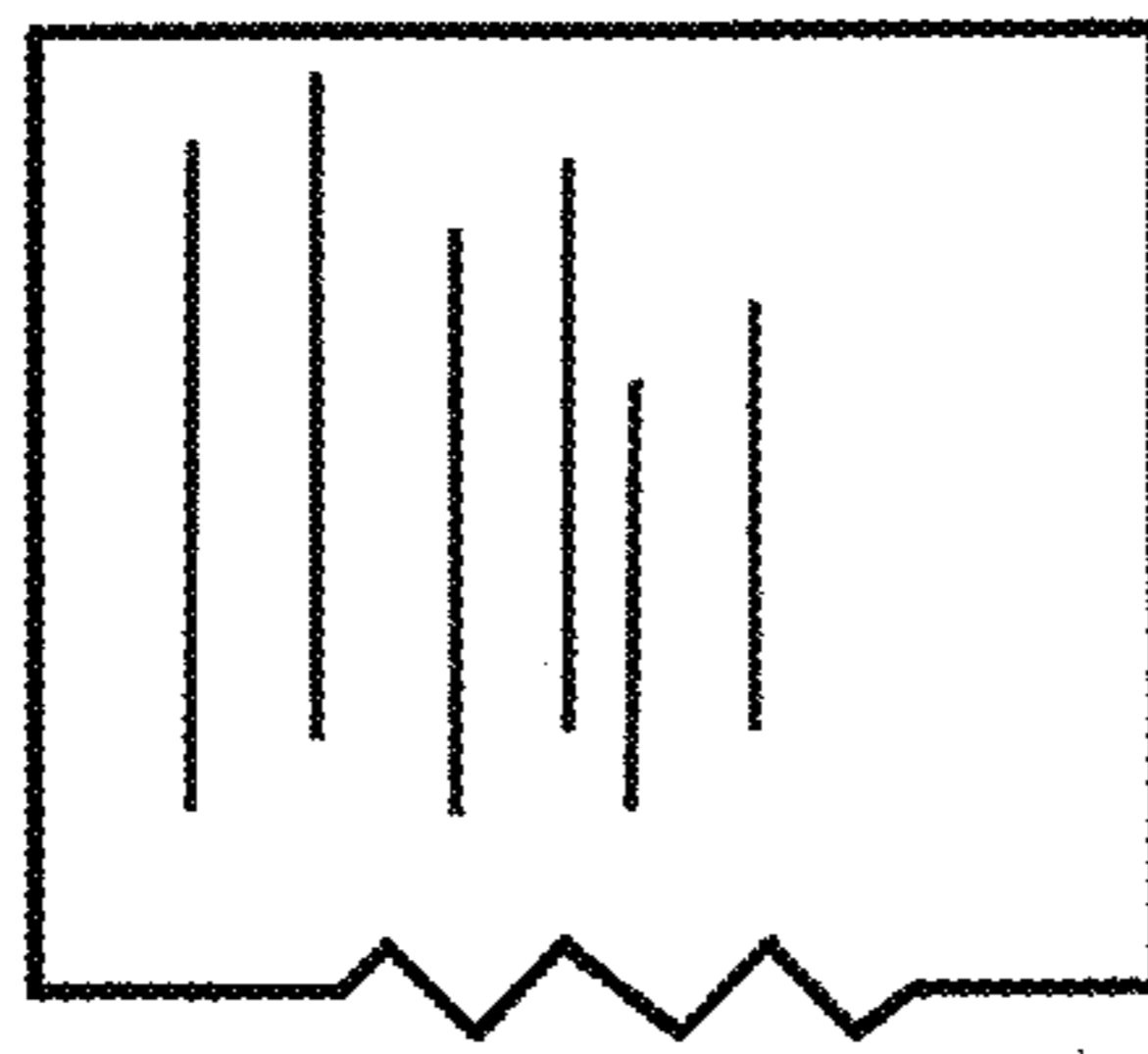


FIG. 1

FIG. 2

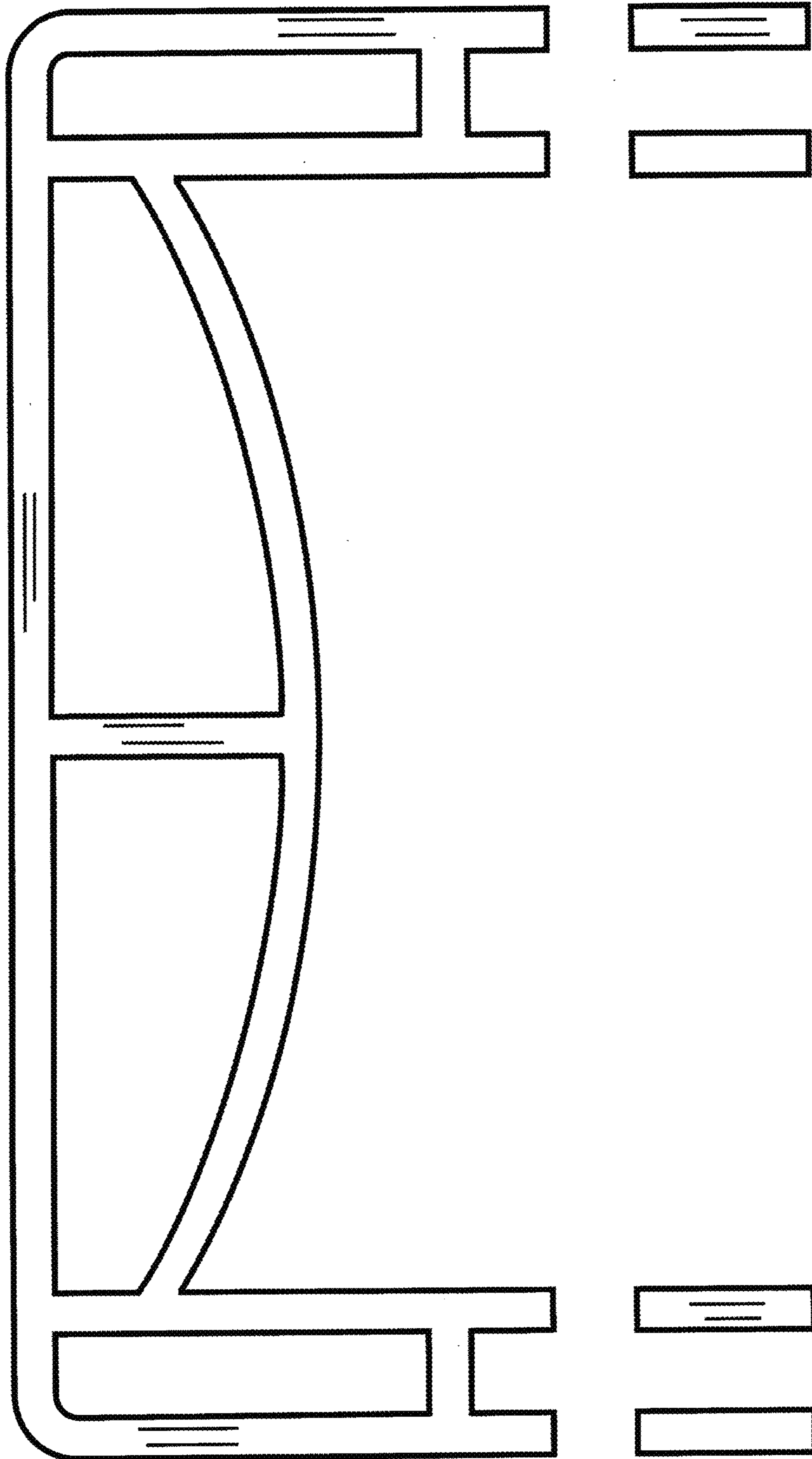


FIG. 3

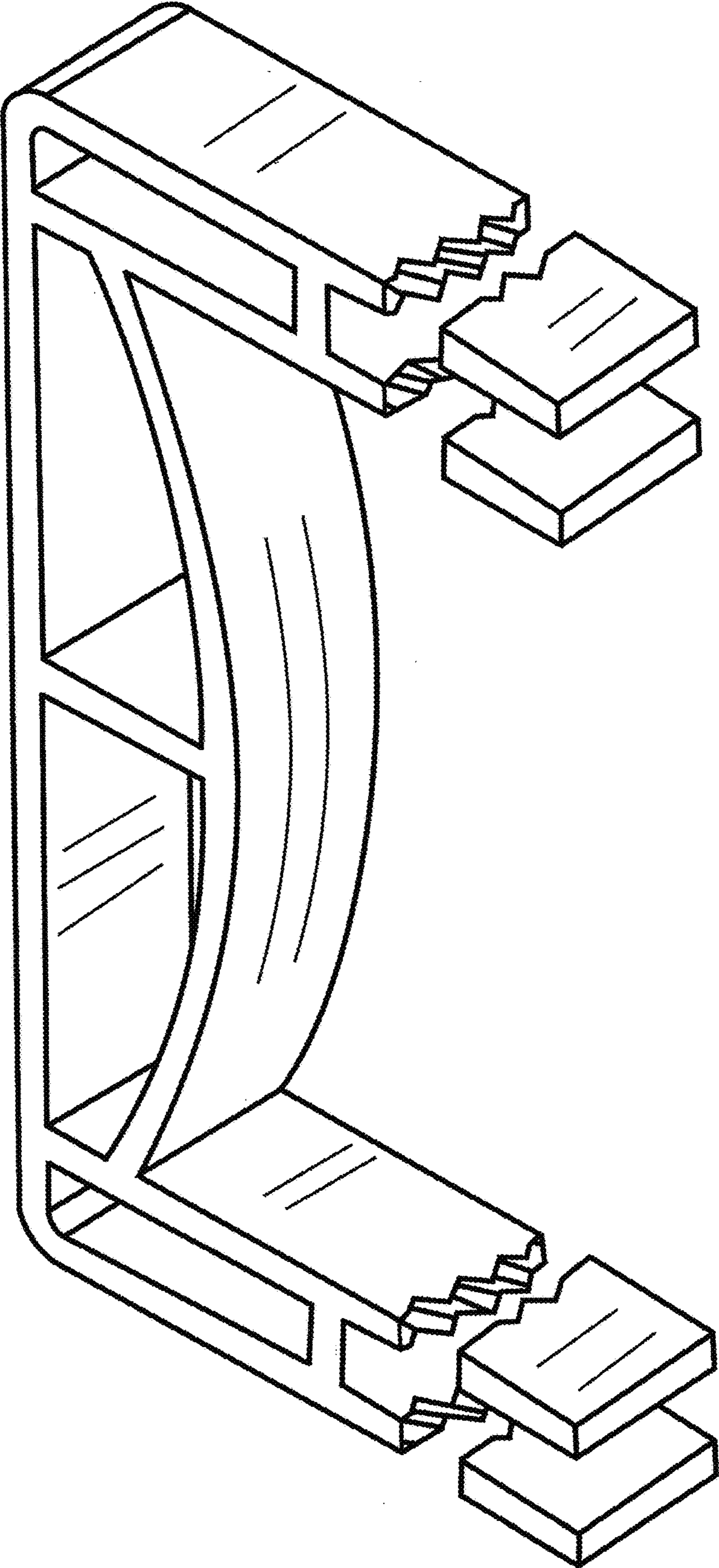


FIG. 4

