



US00D813006S

(12) **United States Design Patent** (10) **Patent No.:** **US D813,006 S**
Hyma et al. (45) **Date of Patent:** **** Mar. 20, 2018**

(54) **KNOB FOR A CUTTER**
(71) Applicant: **Milwaukee Electric Tool Corporation**,
Brookfield, WI (US)
(72) Inventors: **Steven W. Hyma**, Milwaukee, WI
(US); **Matthew W. Naiva**, Wauwatosa,
WI (US)
(73) Assignee: **MILWAUKEE ELECTRIC TOOL**
CORPORATION, Brookfield, WI (US)

2,454,528 A 11/1948 Temple
2,539,124 A 1/1951 Findlay
2,629,926 A 3/1953 Franck
2,630,028 A 3/1953 McIntosh
2,630,029 A 3/1953 Franck
2,739,381 A 3/1956 Peterson
2,739,382 A 3/1956 Peterson
2,747,275 A 5/1956 Jonasson
2,759,242 A 8/1956 Goldman
2,921,369 A 1/1960 Stanley
2,993,274 A 7/1961 Dirks

(Continued)

(**) Term: **15 Years**

FOREIGN PATENT DOCUMENTS

(21) Appl. No.: **29/530,242**

CA 2751682 10/2010
CN 102369076 3/2012

(22) Filed: **Jun. 15, 2015**

(Continued)

(51) **LOC (11) Cl.** **08-06**

(52) **U.S. Cl.**

USPC **D8/307**; D8/60

(58) **Field of Classification Search**

USPC D8/4, 5, 51-60, 105, 107, 300, 307, 310,
D8/311, 312

CPC B23D 21/08; B23D 21/04; B23D 21/00;
B26D 3/169

See application file for complete search history.

OTHER PUBLICATIONS

Maxclaw, "Telescopic Tube Cutter," <http://en.maxclaw.com.tw/product_detail.php?xid=1&id=235> webpage accessed Jun. 2, 2015.

Primary Examiner — Deanna L Pratt
(74) *Attorney, Agent, or Firm* — Michael Best & Friedrich LLP

(56) **References Cited**

(57) **CLAIM**

U.S. PATENT DOCUMENTS

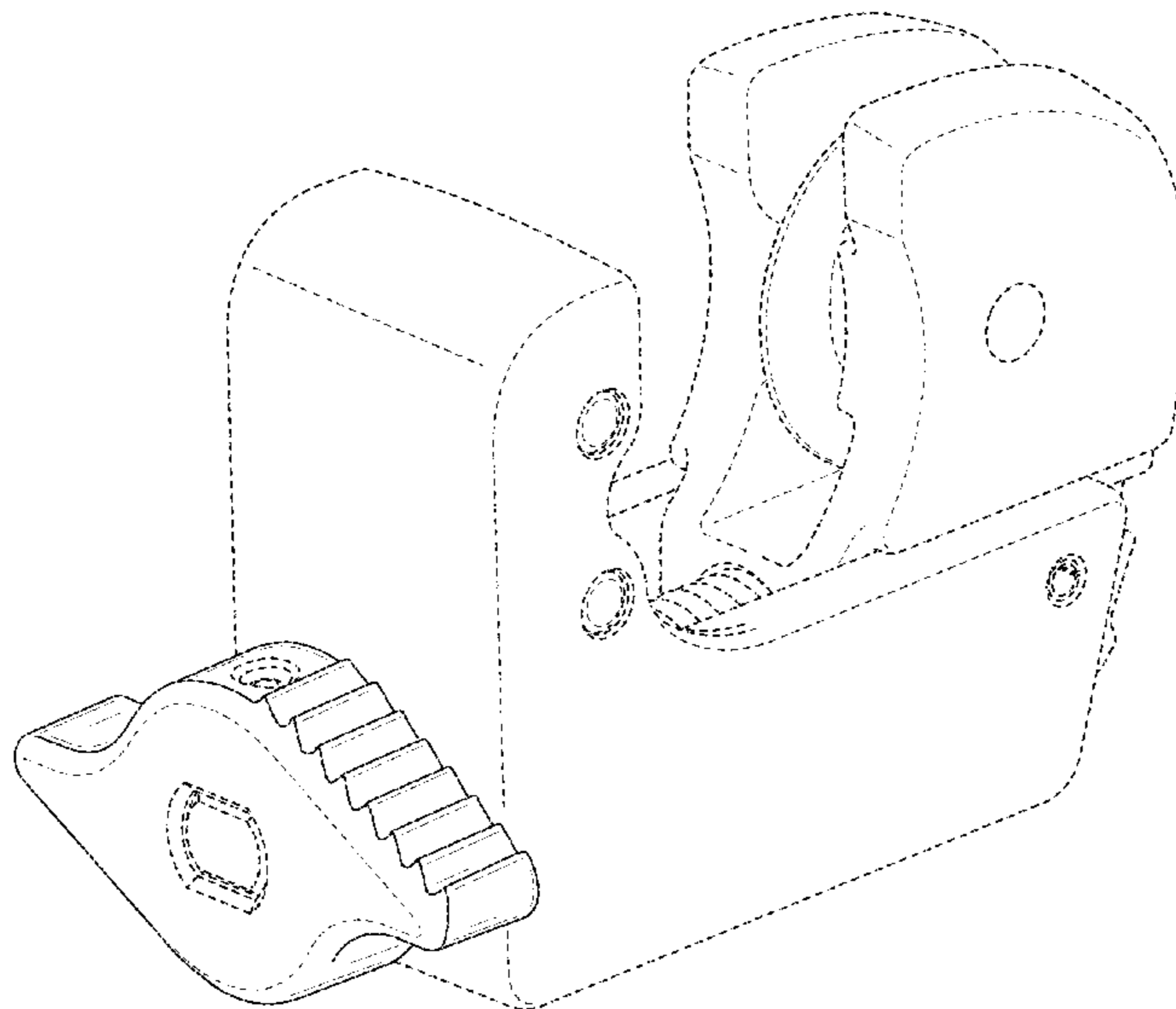
We claim the ornamental design for a knob for a cutter, as shown and described.

D31,410 S * 8/1899 Perkins D8/311
801,866 A 10/1905 Headson
1,374,663 A 4/1921 Joyce et al.
1,681,807 A 8/1928 Kenerson
1,833,980 A 12/1931 Thewes
1,866,095 A 7/1932 Foley
1,968,857 A 8/1934 Shafer
2,071,756 A 2/1937 Manville
D104,215 S * 4/1937 Hawkinson D8/311
D105,254 S * 7/1937 Zinkil D23/250
2,165,209 A 7/1939 Baldanza
2,325,353 A 7/1943 Wright
2,379,177 A 6/1945 Pavey

DESCRIPTION

FIG. 1 is a rear view of a knob of a cutter.
FIG. 2 is a rear perspective view of the knob of FIG. 1; and,
FIG. 3 is a front perspective view of the knob of FIG. 1.
The cutter and portions of the knob shown in broken lines are included for the purpose of illustrating environment and form no part of the claimed design.

1 Claim, 3 Drawing Sheets



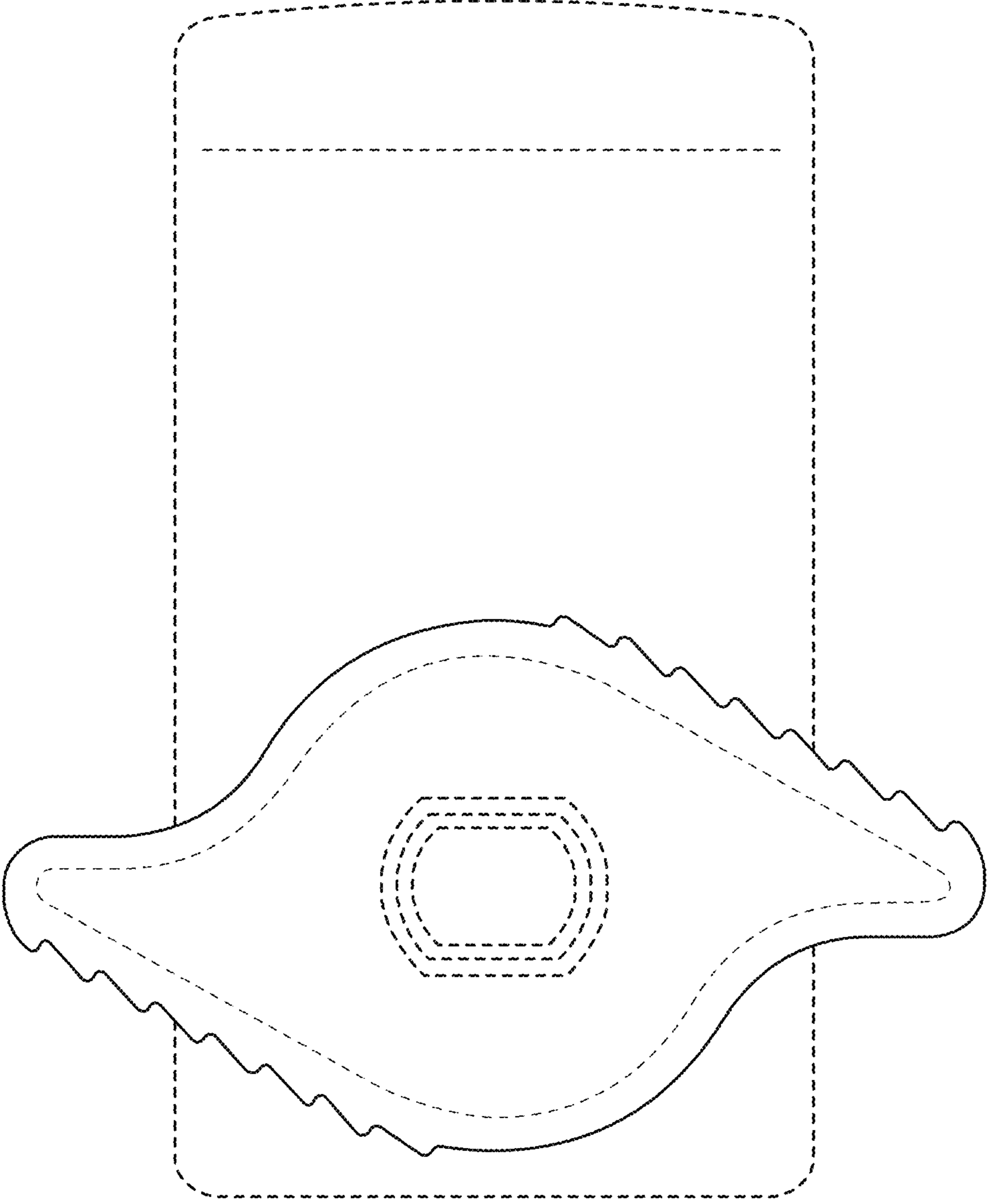


FIG. 1

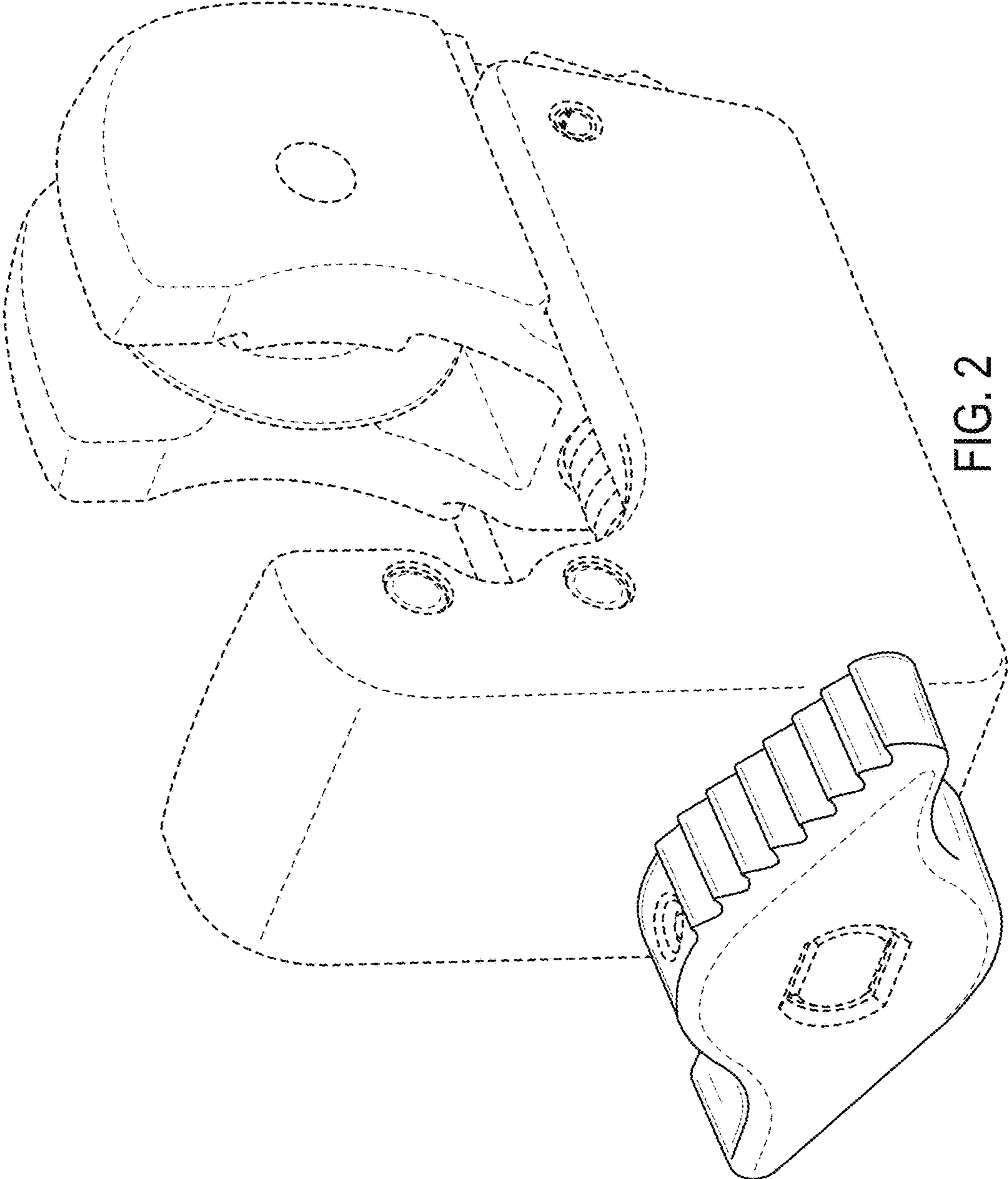


FIG. 2

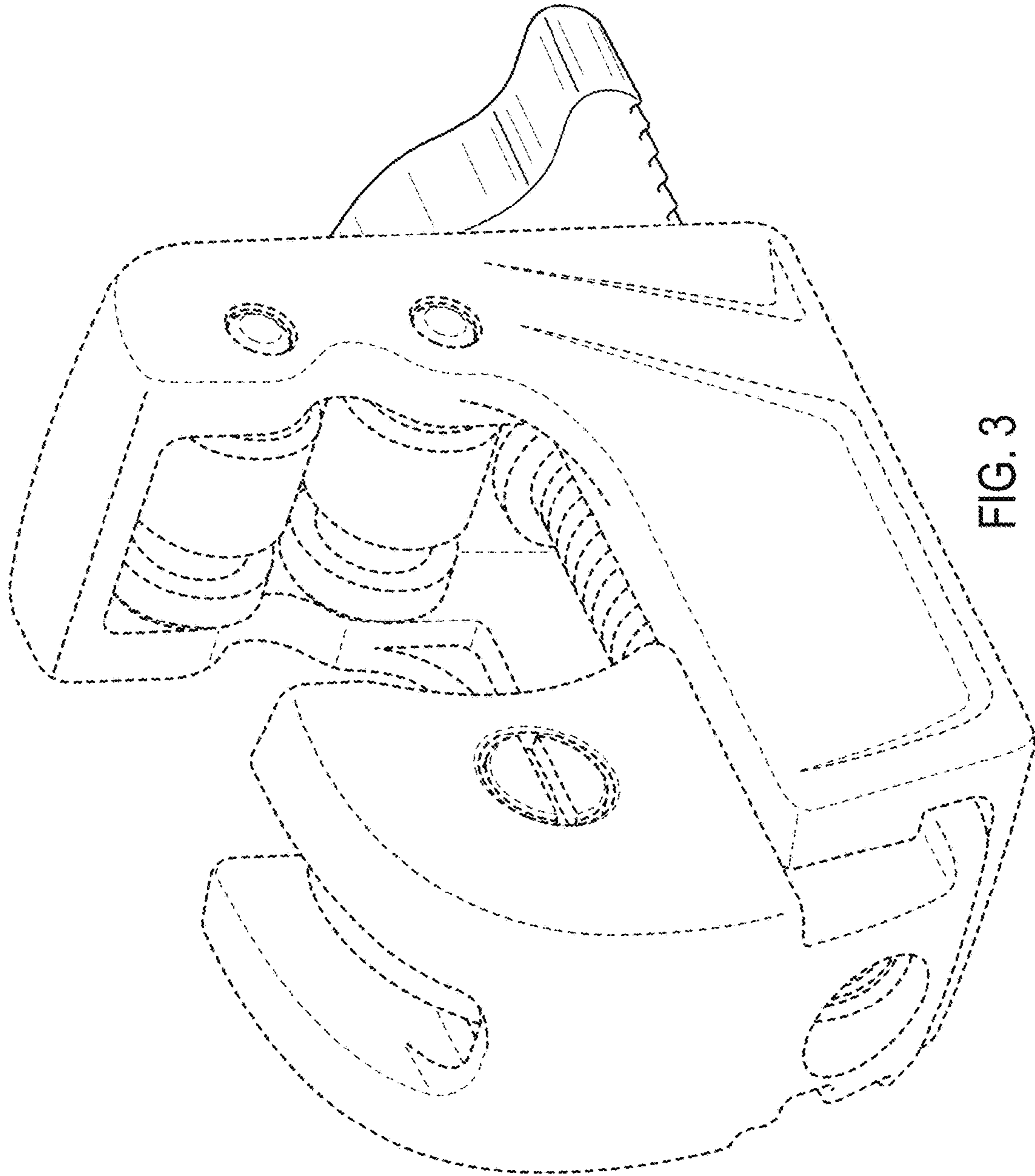


FIG. 3