



US00D813004S

(12) **United States Design Patent**  
**Huber et al.**

(10) **Patent No.:** **US D813,004 S**  
(45) **Date of Patent:** **\*\* Mar. 20, 2018**

- (54) **COMPACT MANUAL SHARPENER**
- (71) Applicant: **EDGECRAFT CORPORATION**,  
Avondale, PA (US)
- (72) Inventors: **Thomas M. Huber**, Dover, DE (US);  
**Andrew Johnson**, Newark, DE (US);  
**Daniel D. Friel, Jr.**, Kennett Square,  
PA (US); **Samuel Weiner**, Wilmington,  
DE (US)
- (73) Assignee: **EDGECRAFT CORPORATION**,  
Avondale, PA (US)

- D276,885 S 12/1984 Hall
- D277,166 S 1/1985 Call
- 4,494,340 A 1/1985 Carter
- D280,380 S 9/1985 Graves
- D284,736 S 7/1986 Kawai et al.
- D286,738 S 11/1986 Lucko
- 4,627,194 A 12/1986 Friel
- 4,716,689 A 1/1988 Friel
- 4,807,399 A 2/1989 Friel
- D303,209 S 5/1989 Friel
- D304,153 S 10/1989 Reichow
- D310,620 S 9/1990 Friel
- 5,005,319 A 4/1991 Friel
- D328,410 S 8/1992 Friel

(Continued)

(\*\*) Term: **15 Years**

(21) Appl. No.: **29/555,704**

(22) Filed: **Feb. 24, 2016**

(51) **LOC (11) Cl.** ..... **08-05**

(52) **U.S. Cl.**  
USPC ..... **D8/93**

(58) **Field of Classification Search**  
USPC ..... D8/61-63, 90-94  
CPC .... B24B 3/36; B24B 3/52; B24B 3/54; B24B  
3/543; B24B 3/546; B24B 33/081; B24B  
41/04; B24B 49/16; B24D 7/16; B24D  
15/00; B24D 15/063; B24D 15/065;  
B24D 15/08; B24D 15/081

See application file for complete search history.

(56) **References Cited**

**U.S. PATENT DOCUMENTS**

- 899,213 A 9/1908 Fitzgerald
- 1,453,246 A \* 4/1923 Jones ..... B24D 15/063  
451/558
- 2,860,452 A 11/1958 Lebus
- 2,994,234 A 8/1961 Lizak
- D217,084 S 4/1970 Martin
- D241,504 S \* 9/1976 Krusche et al. .... D8/91
- D266,393 S 10/1982 Mayer et al.
- D276,884 S 12/1984 Carter

**OTHER PUBLICATIONS**

Chef's Choice 476 2-Stage Compact Manual Knife Sharpener.  
Downloaded from [https://www.amazon.com/dp/B01M0J1ZJZ/ref=asc\\_df\\_B01M0J1ZJZ5109212/?tag=hyprod](https://www.amazon.com/dp/B01M0J1ZJZ/ref=asc_df_B01M0J1ZJZ5109212/?tag=hyprod) . . . on Aug. 5, 2017.\*

*Primary Examiner* — Phillip S Hyder  
(74) *Attorney, Agent, or Firm* — Michael E. Dockins;  
Shumaker, Loop & Kendrick, LLP

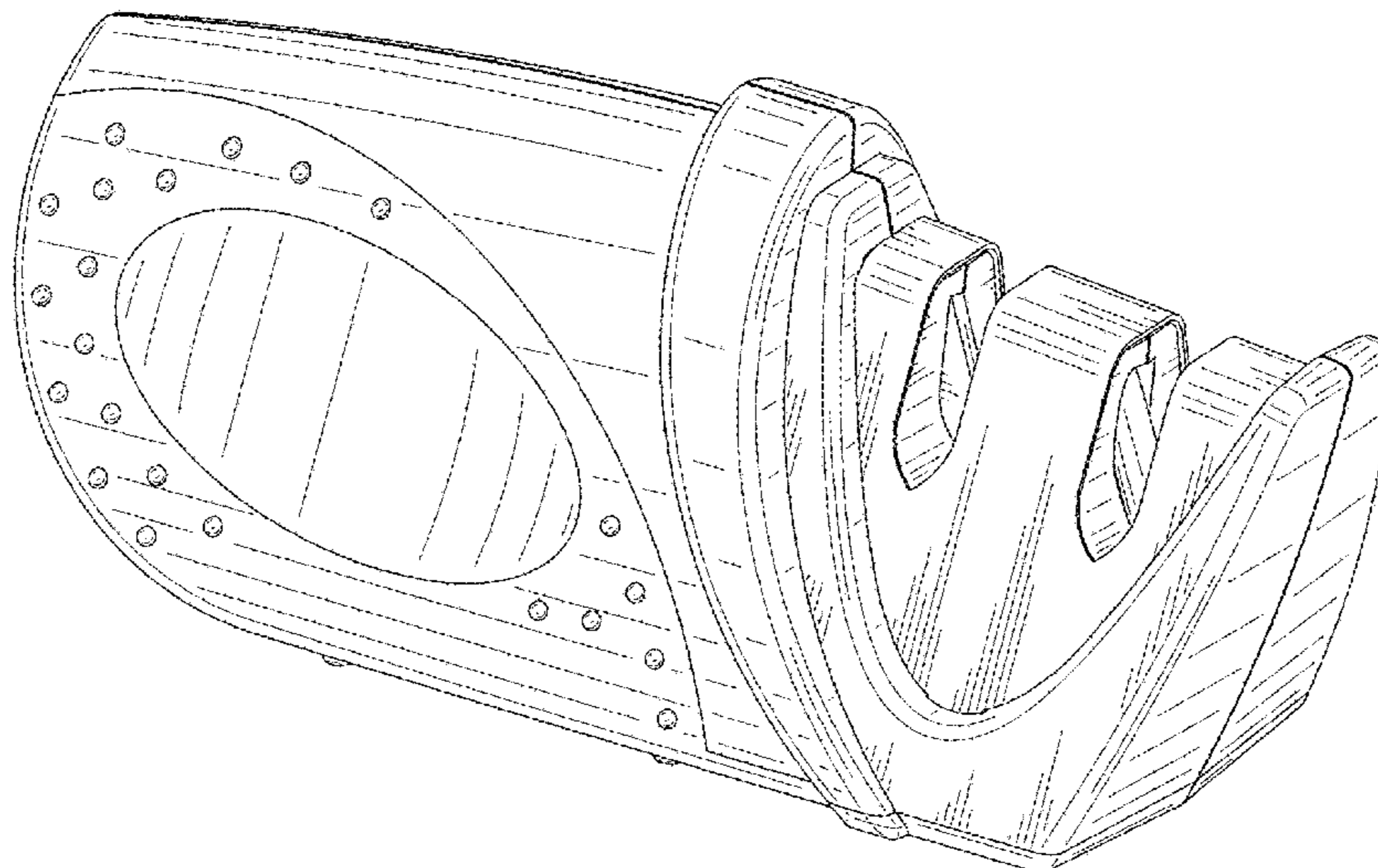
(57) **CLAIM**

We claim the ornamental design for a compact manual sharpener, as shown and described.

**DESCRIPTION**

FIG. 1 is a left side isometric view of a compact manual sharpener showing our new design;  
FIG. 2 is a right side isometric view thereof;  
FIG. 3 is a left side view thereof;  
FIG. 4 is a right side view thereof;  
FIG. 5 is a top view thereof;  
FIG. 6 is a bottom view thereof;  
FIG. 7 is a rear view thereof; and,  
FIG. 8 is a front view thereof.

**1 Claim, 6 Drawing Sheets**



(56)

References Cited

U.S. PATENT DOCUMENTS

5,148,634 A 9/1992 Bigliano  
 5,245,791 A 9/1993 Bigliano  
 D375,442 S 11/1996 Hughes  
 5,611,726 A 3/1997 Friel  
 5,782,681 A 7/1998 Bresnahan  
 D404,278 S 1/1999 Gore  
 D405,336 S 2/1999 Hepworth  
 D409,891 S 5/1999 Friel  
 6,012,971 A 1/2000 Friel  
 6,039,642 A 3/2000 Collins  
 D429,983 S \* 8/2000 Fu-Hui ..... D8/107  
 6,113,476 A 9/2000 Friel  
 6,267,652 B1 7/2001 Friel  
 6,802,763 B1 10/2004 Leung  
 D499,004 S 11/2004 Smith  
 6,863,600 B2 3/2005 Friel  
 6,875,093 B2 4/2005 Friel  
 6,881,137 B2 4/2005 Friel  
 6,932,683 B2 8/2005 Li  
 6,997,795 B2 2/2006 Friel  
 D529,361 S 10/2006 Brookman  
 D542,616 S 5/2007 Elek  
 D543,430 S 5/2007 Barr  
 7,235,004 B2 6/2007 Friel  
 7,287,445 B2 10/2007 Friel  
 D567,611 S 4/2008 Elek  
 D575,124 S 8/2008 Smith  
 D575,130 S 8/2008 Smith  
 D578,581 S \* 10/2008 Smith ..... D21/667  
 7,452,262 B2 11/2008 Friel  
 7,488,241 B2 2/2009 Elek  
 7,494,403 B2 2/2009 Friel

D589,771 S \* 4/2009 Lee ..... D8/61  
 7,517,275 B2 4/2009 Friel  
 D593,392 S 6/2009 Domonoske  
 D605,918 S 12/2009 Deglon  
 7,686,676 B2 3/2010 Friel  
 D614,009 S 4/2010 Deglon  
 D620,332 S 7/2010 Elek  
 D632,153 S 2/2011 Walker et al.  
 D641,225 S \* 7/2011 Friel, Sr. .... D8/93  
 D641,226 S \* 7/2011 Friel, Sr. .... D8/93  
 8,043,143 B2 10/2011 Elek  
 D651,887 S 1/2012 Elek  
 D652,284 S 1/2012 Elek  
 D654,342 S 2/2012 Cavanaugh, Jr.  
 D655,145 S \* 3/2012 Smith ..... D8/91  
 D665,647 S \* 8/2012 Friel, Sr. .... D8/93  
 8,267,750 B2 9/2012 Friel  
 D669,755 S \* 10/2012 Huber ..... D8/93  
 D680,399 S 4/2013 Elek et al.  
 D680,845 S 4/2013 Smith et al.  
 D721,564 S 1/2015 Purnomohadi  
 D723,898 S 3/2015 Smith et al.  
 D731,278 S \* 6/2015 Cavanaugh ..... D8/105  
 D736,587 S \* 8/2015 Cavanaugh ..... D8/93  
 D744,803 S 12/2015 Johnson et al.  
 D744,804 S 12/2015 Johnson et al.  
 D745,819 S 12/2015 Bloch  
 D746,656 S \* 1/2016 Smith ..... D27/141  
 D754,514 S \* 4/2016 Huber ..... D8/93  
 2009/0233530 A1 9/2009 Friel  
 2009/0298401 A1 \* 12/2009 Smith ..... B24D 15/065  
 451/321  
 2015/0283678 A1 \* 10/2015 Hangen ..... B24D 15/08  
 451/552

\* cited by examiner

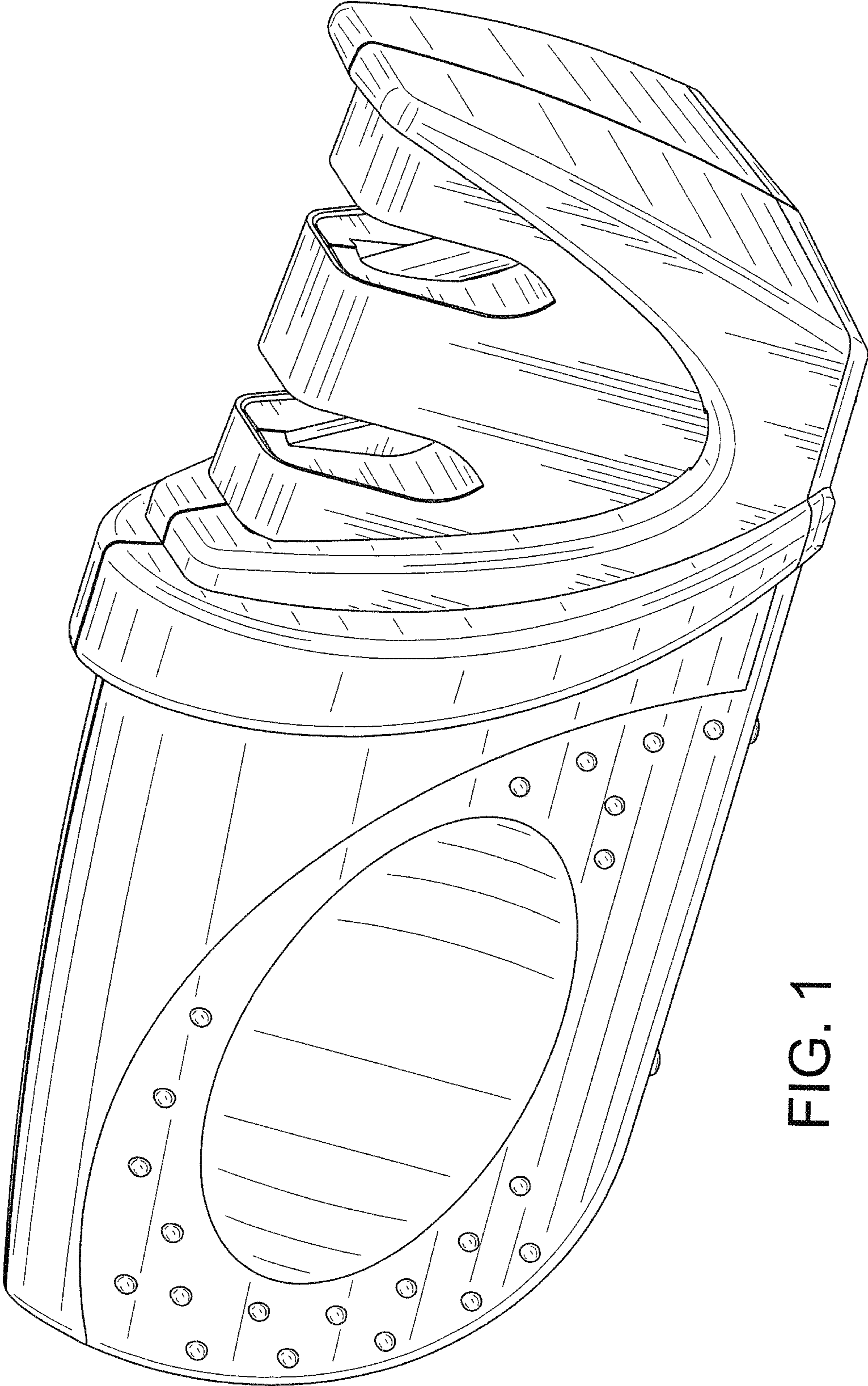


FIG. 1

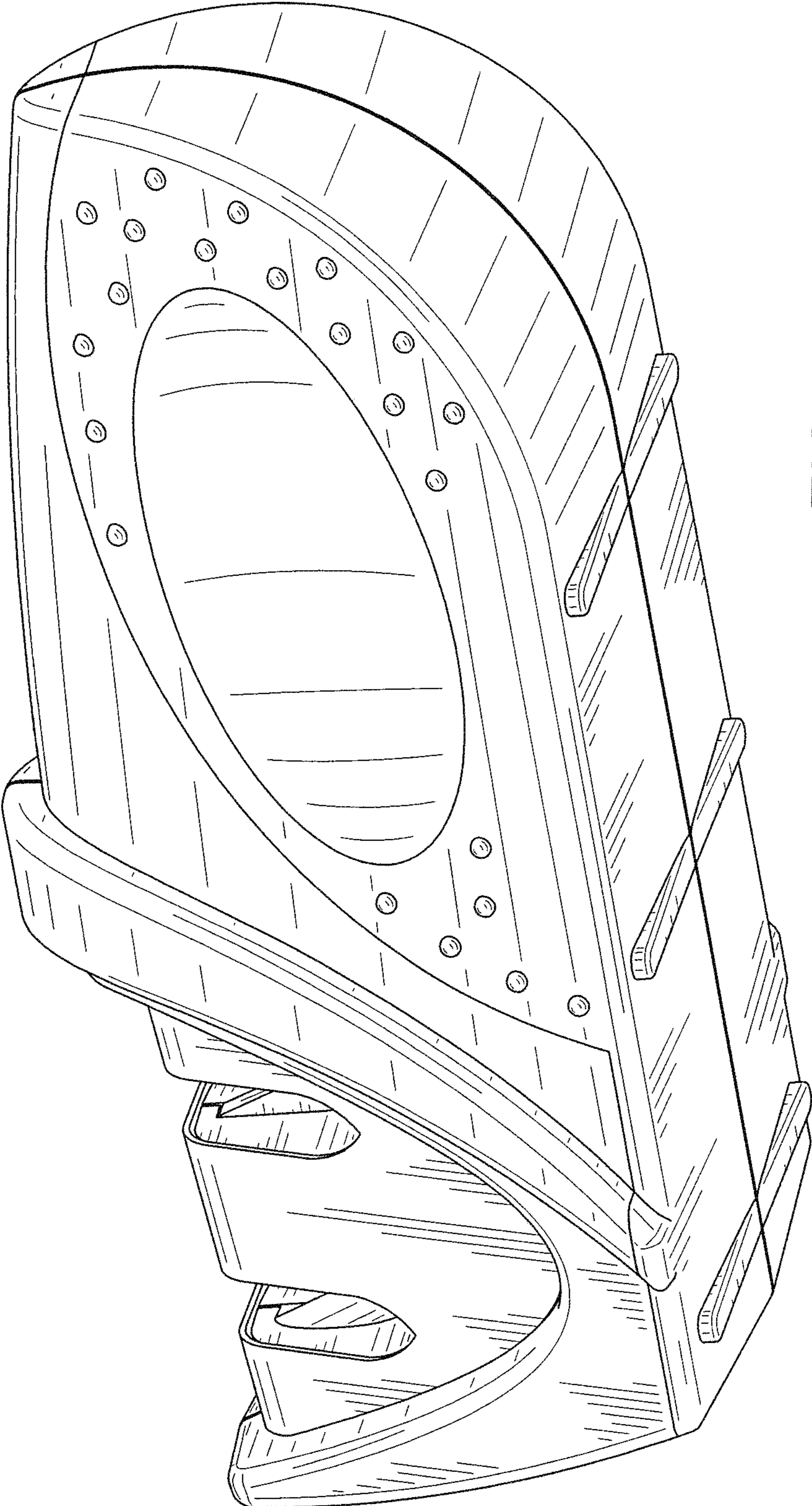


FIG. 2

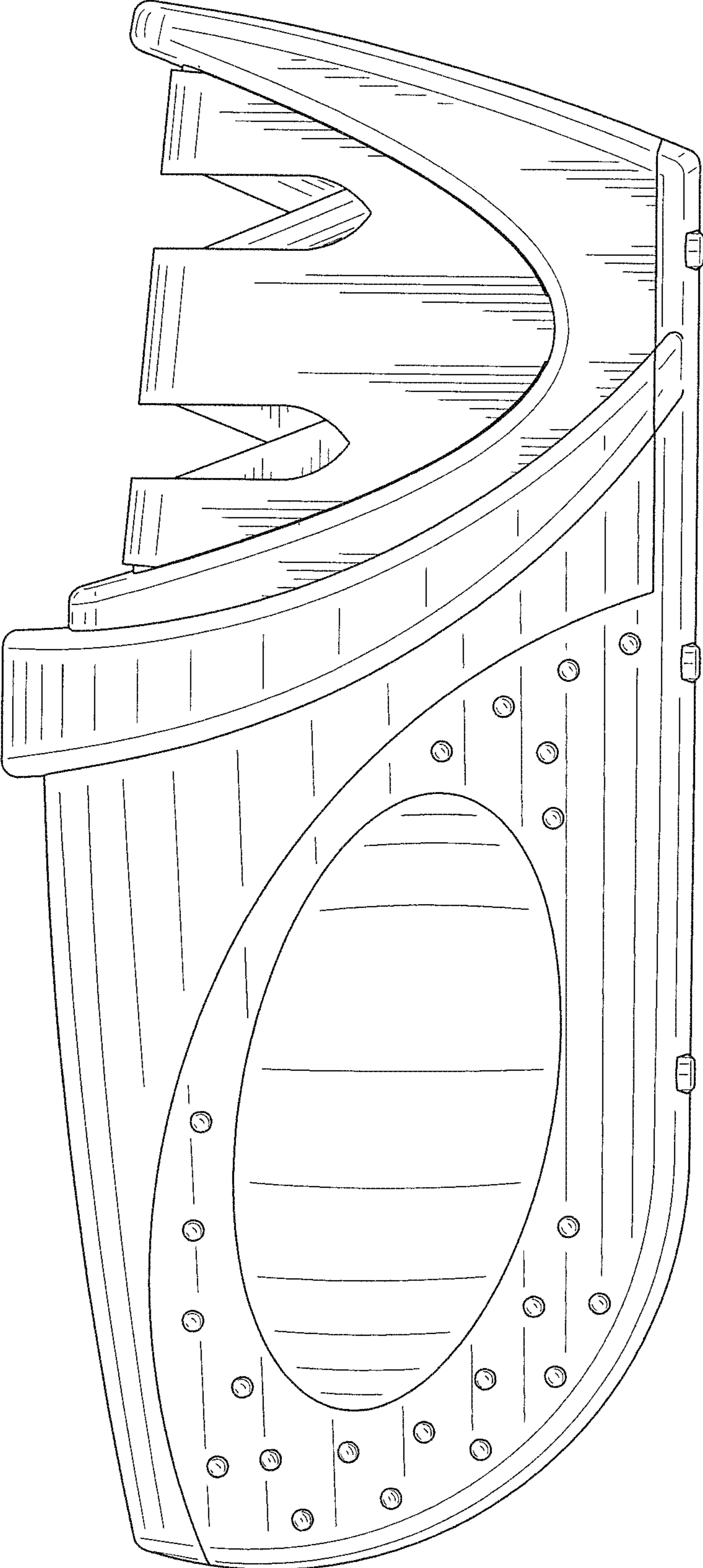


FIG. 3

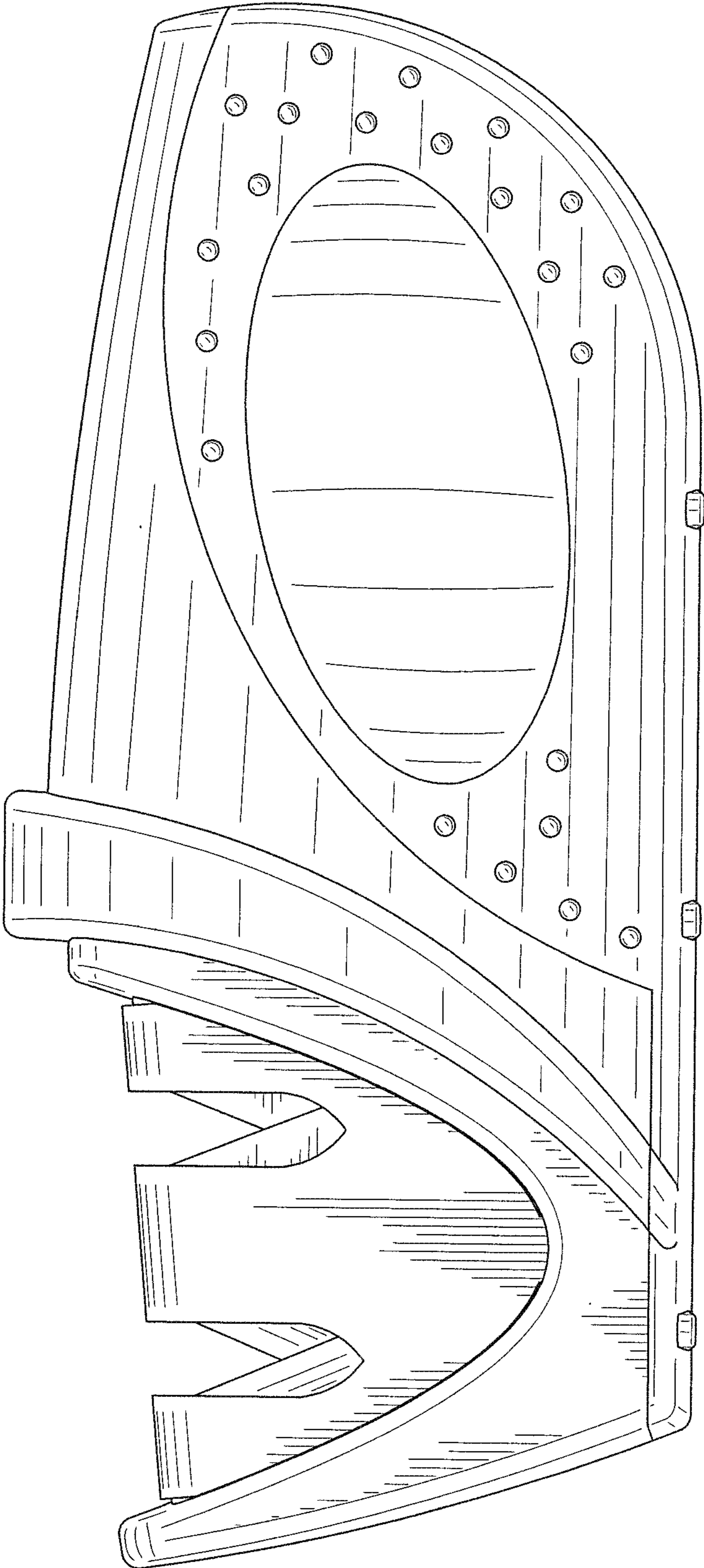


FIG. 4

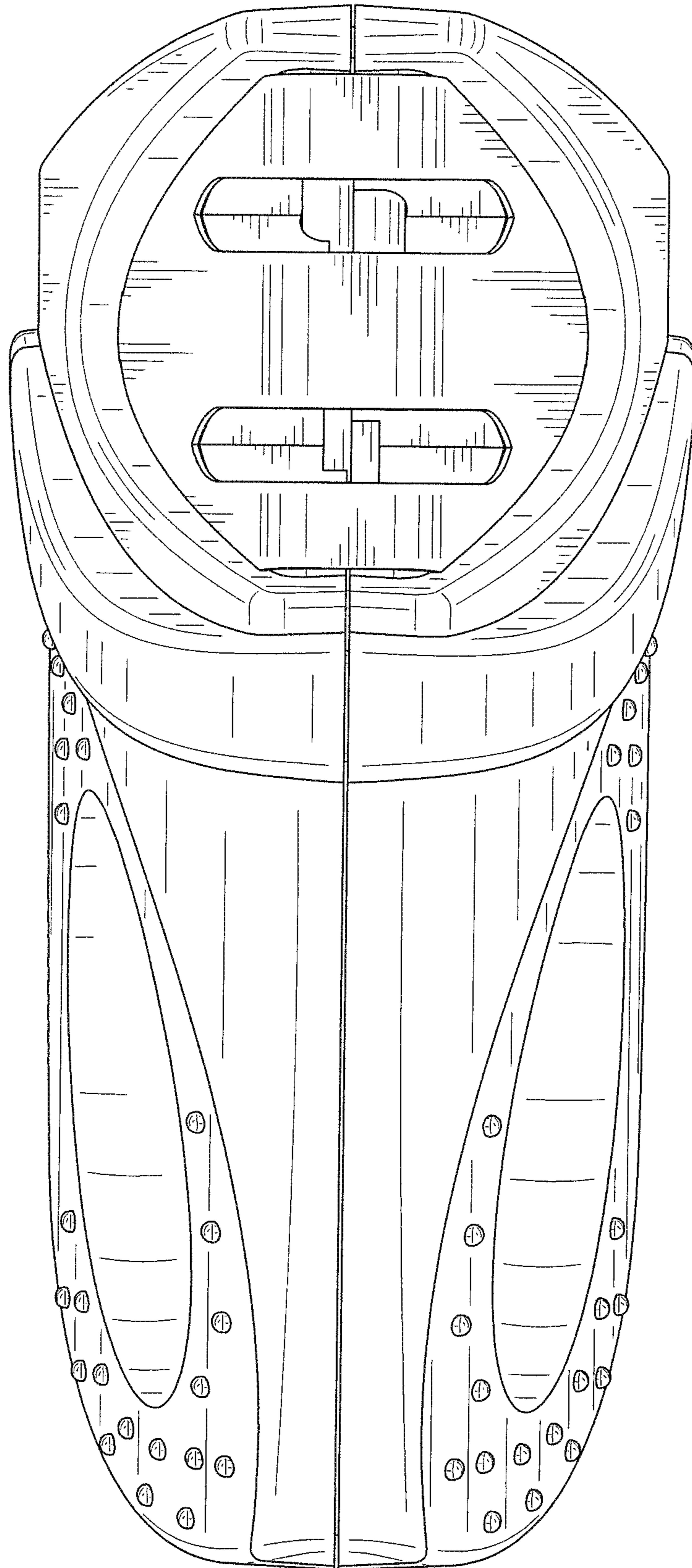


FIG. 5

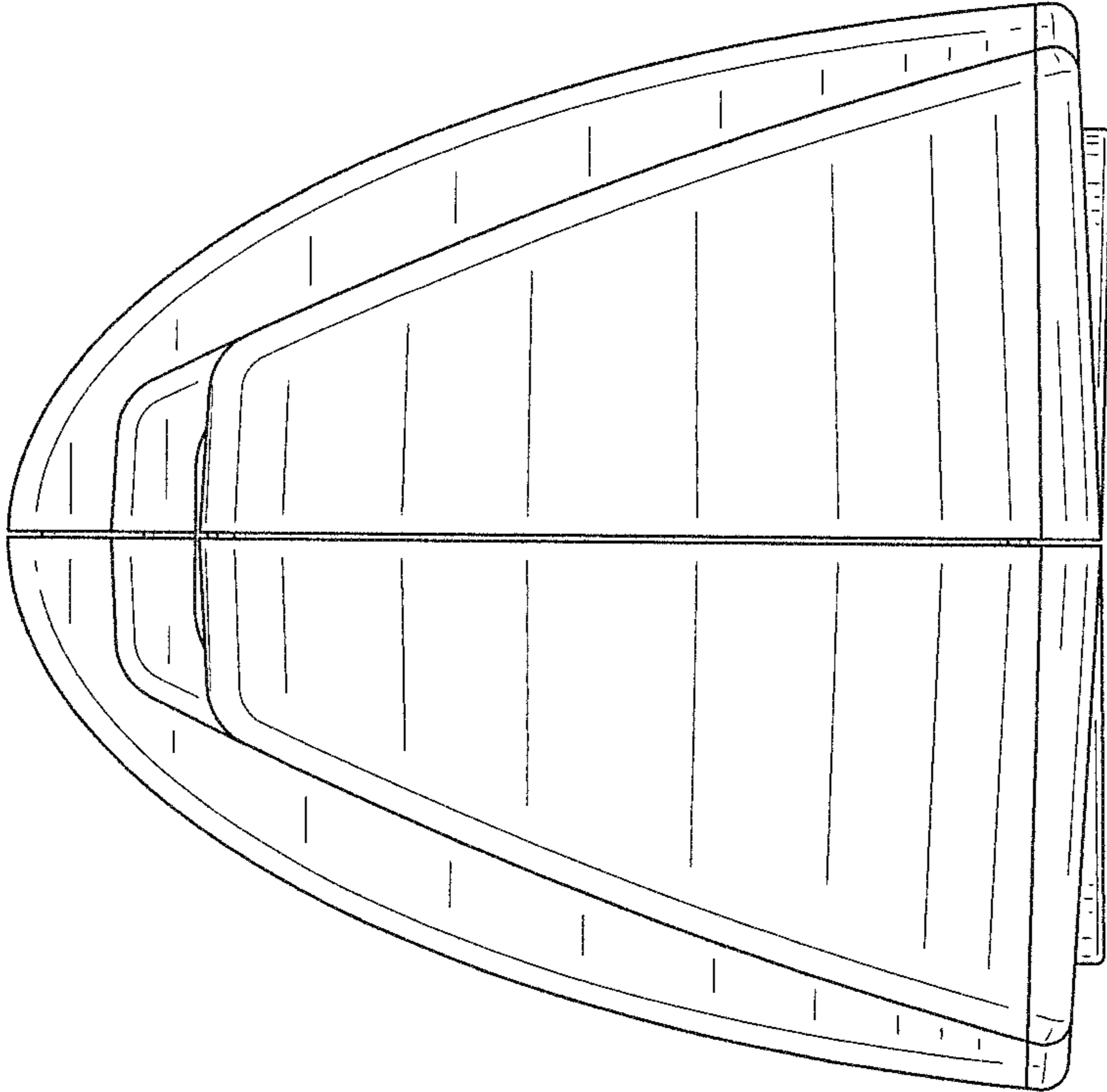


FIG. 8

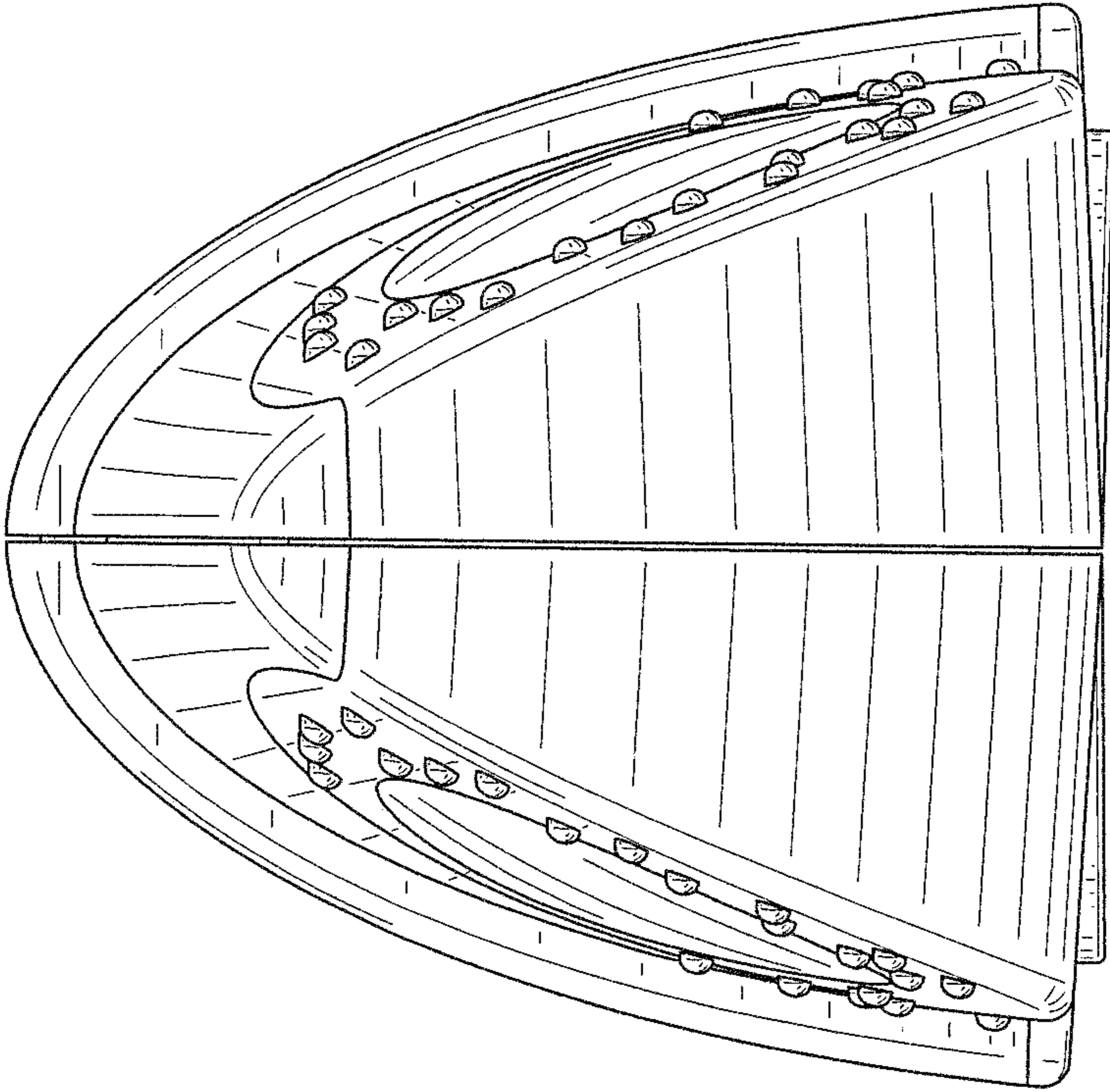


FIG. 7