



US00D812997S

(12) **United States Design Patent**
Cabrita

(10) **Patent No.:** **US D812,997 S**

(45) **Date of Patent:** **** Mar. 20, 2018**

(54) **MANDOLINE**

(71) Applicant: **Dart Industries Inc.**, Orlando, FL (US)

(72) Inventor: **José Cabrita**, Brussels (BE)

(73) Assignee: **Dart Industries Inc.**, Orlando, FL (US)

(**) Term: **15 Years**

(21) Appl. No.: **29/592,763**

(22) Filed: **Feb. 2, 2017**

(51) **LOC (11) Cl.** **07-04**

(52) **U.S. Cl.**

USPC **D7/673**

(58) **Field of Classification Search**

USPC D7/672-677, 354, 693-696, 678

CPC A47J 43/00; A47J 43/25; B26D 2210/02;

B26D 1/143; B26D 3/283; B26D 3/26;

B26D 3/185; B26D 2003/288; B26D

2003/286; B26D 2003/285; B26D

2003/287

See application file for complete search history.

(56) **References Cited**

U.S. PATENT DOCUMENTS

D442,033 S *	5/2001	de Saint-Genois	D7/673
D447,022 S *	8/2001	Wong	D7/678
D608,162 S *	1/2010	Mah	D7/673
D610,414 S *	2/2010	Boerner	D7/673
D625,567 S	10/2010	Wong		
D651,483 S *	1/2012	Bagley	D7/673
D682,049 S *	5/2013	Jossem	D7/673
D751,352 S *	3/2016	Koide	D7/673
D775,499 S *	1/2017	Yamamoto	D7/673
2012/0006165 A1 *	1/2012	Thornton	B26D 3/283 83/397

2013/0087033 A1* 4/2013 Tetreault B26D 3/26

83/440

2014/0366699 A1* 12/2014 Wong B26D 3/283

83/698.11

2017/0021515 A1* 1/2017 Colburn B26D 3/283

OTHER PUBLICATIONS

Tupperware Mandoline; Tupperware.com; Mar. 16, 2014.

* cited by examiner

Primary Examiner — Susan Bennett Hattan

Assistant Examiner — Brett Miller

(74) *Attorney, Agent, or Firm* — Taylor J. Ross

(57) **CLAIM**

The ornamental design for a mandoline, as shown and described.

DESCRIPTION

FIG. 1 is a top, right and rear perspective view of a mandoline showing my new design;

FIG. 2 is a bottom, left and rear perspective view thereof;

FIG. 3 is a top plan view thereof;

FIG. 4 is a bottom plan view thereof;

FIG. 5 is a right side elevation view, the left side elevation being a mirror image thereof;

FIG. 6 is a rear elevation view thereof;

FIG. 7 is a front elevation view thereof;

FIG. 8 is a cross-sectional view taken along line 8-8 of FIG. 3;

FIG. 9 is a cross-sectional view taken along line 9-9 of FIG. 3; and,

FIG. 10 is a cross-sectional view taken along line 10-10 of FIG. 3.

1 Claim, 8 Drawing Sheets

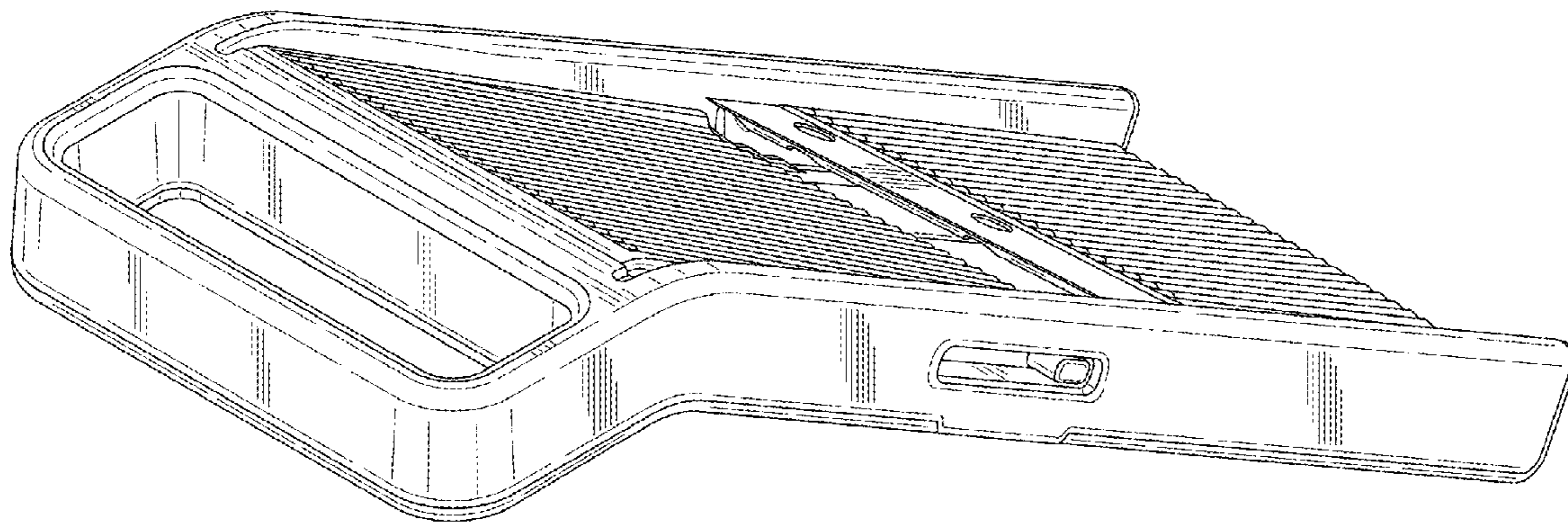
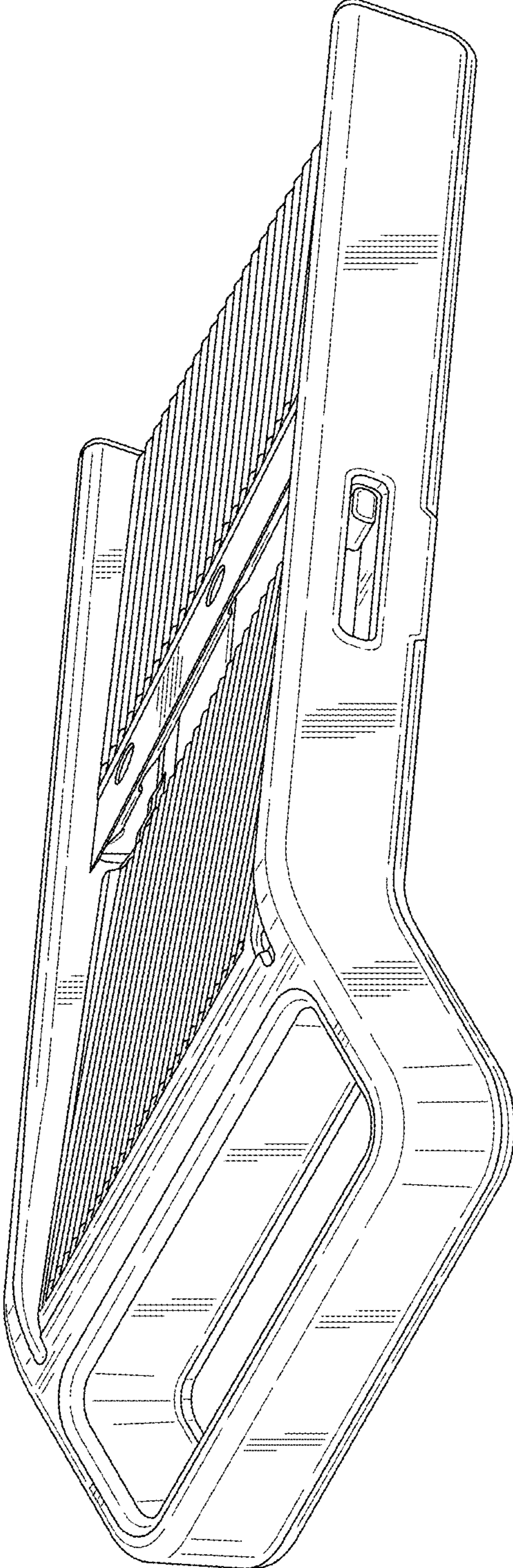


FIG. 1



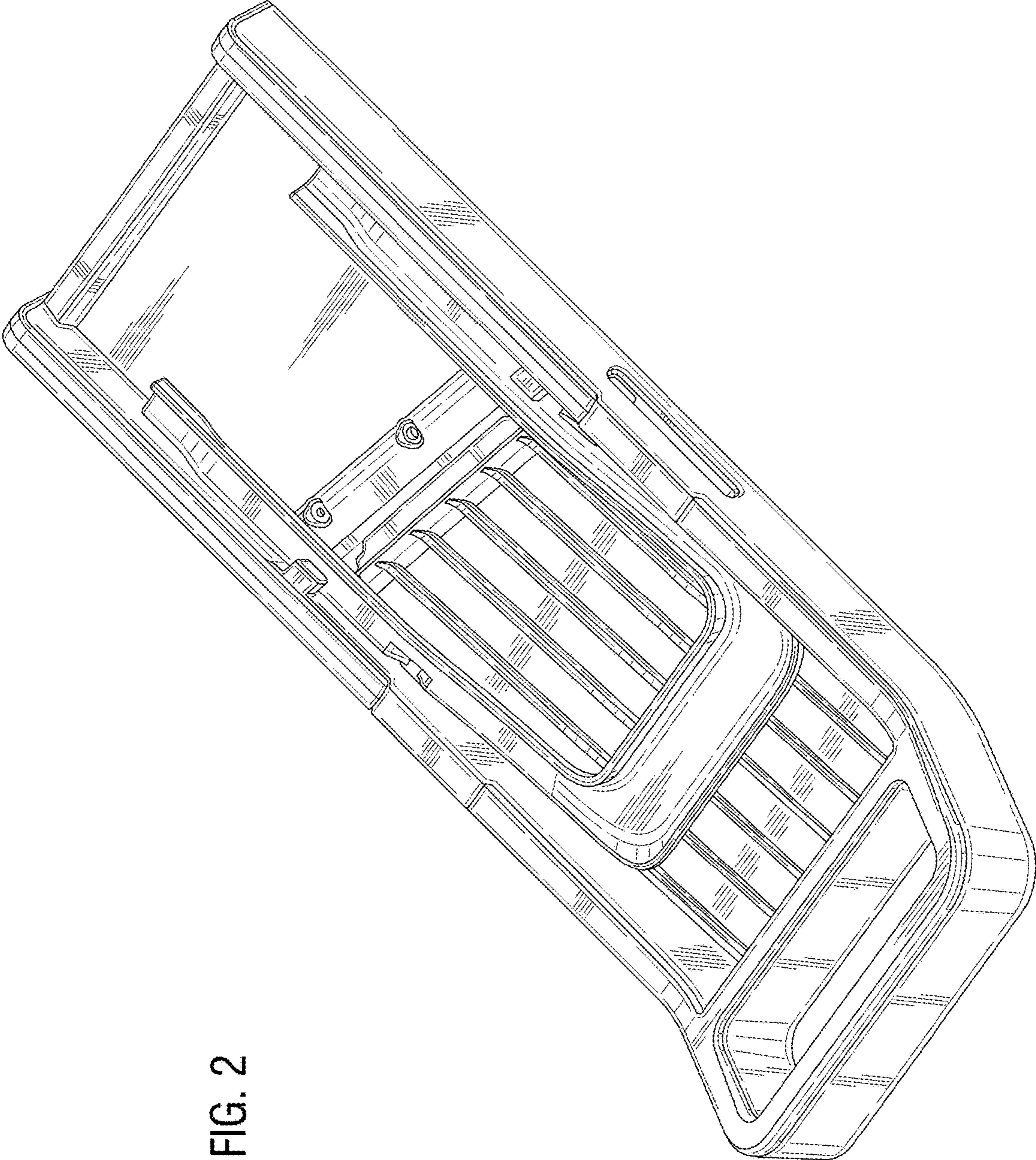


FIG. 2

FIG. 3

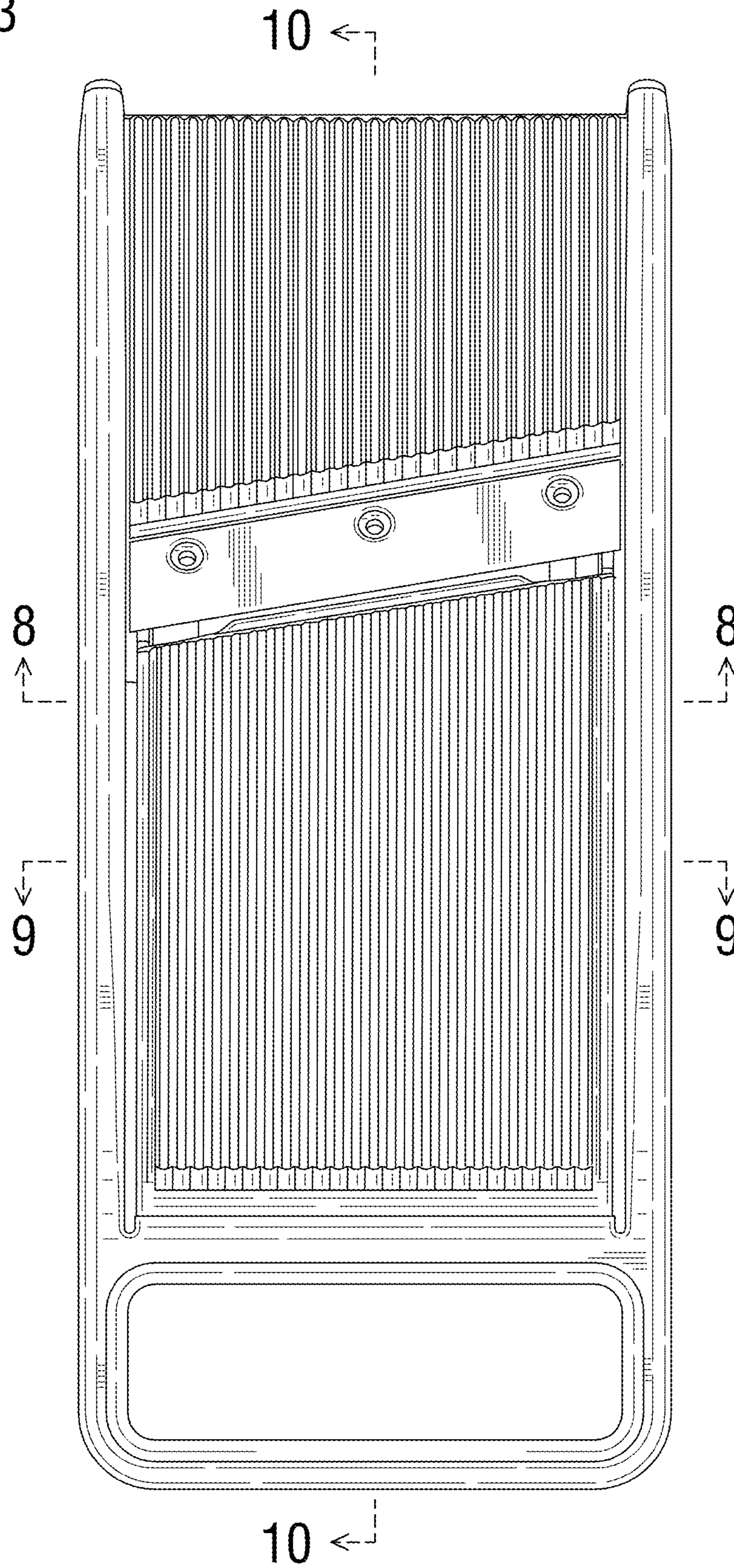


FIG. 4

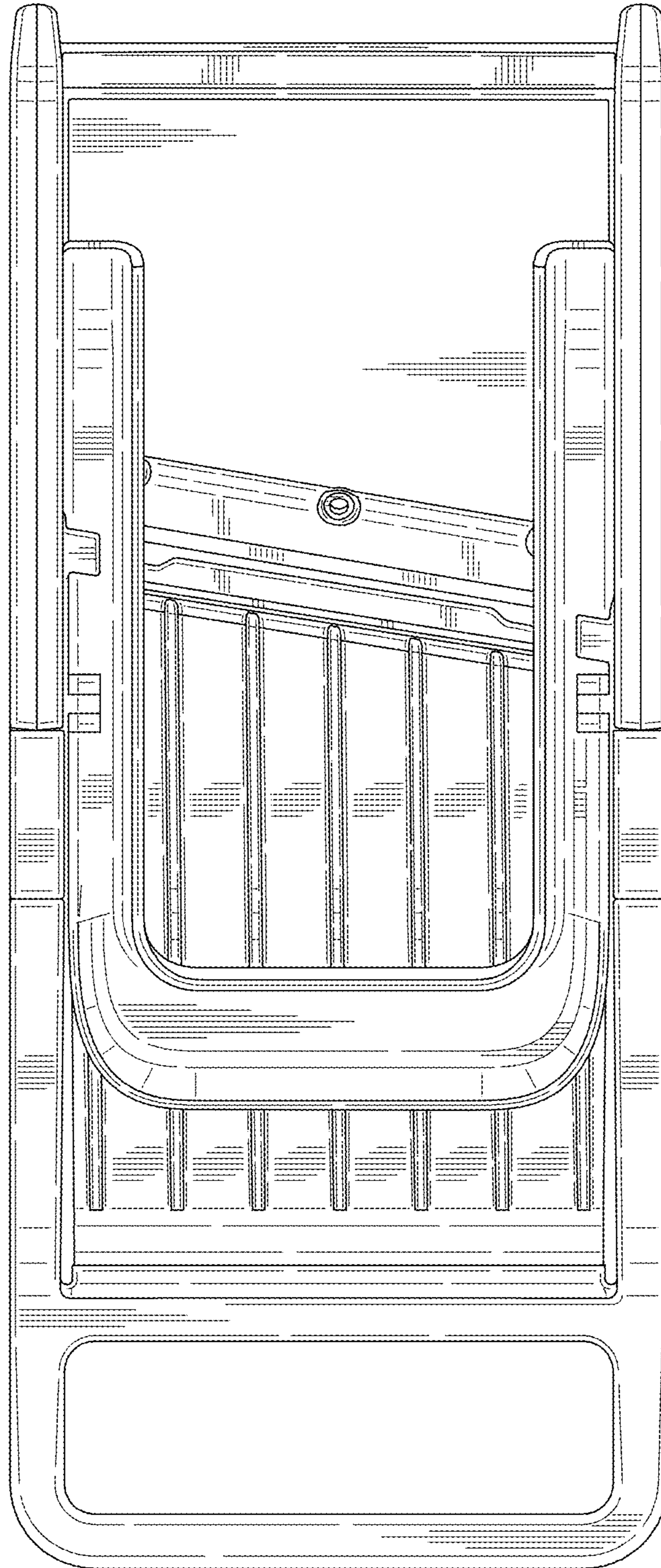
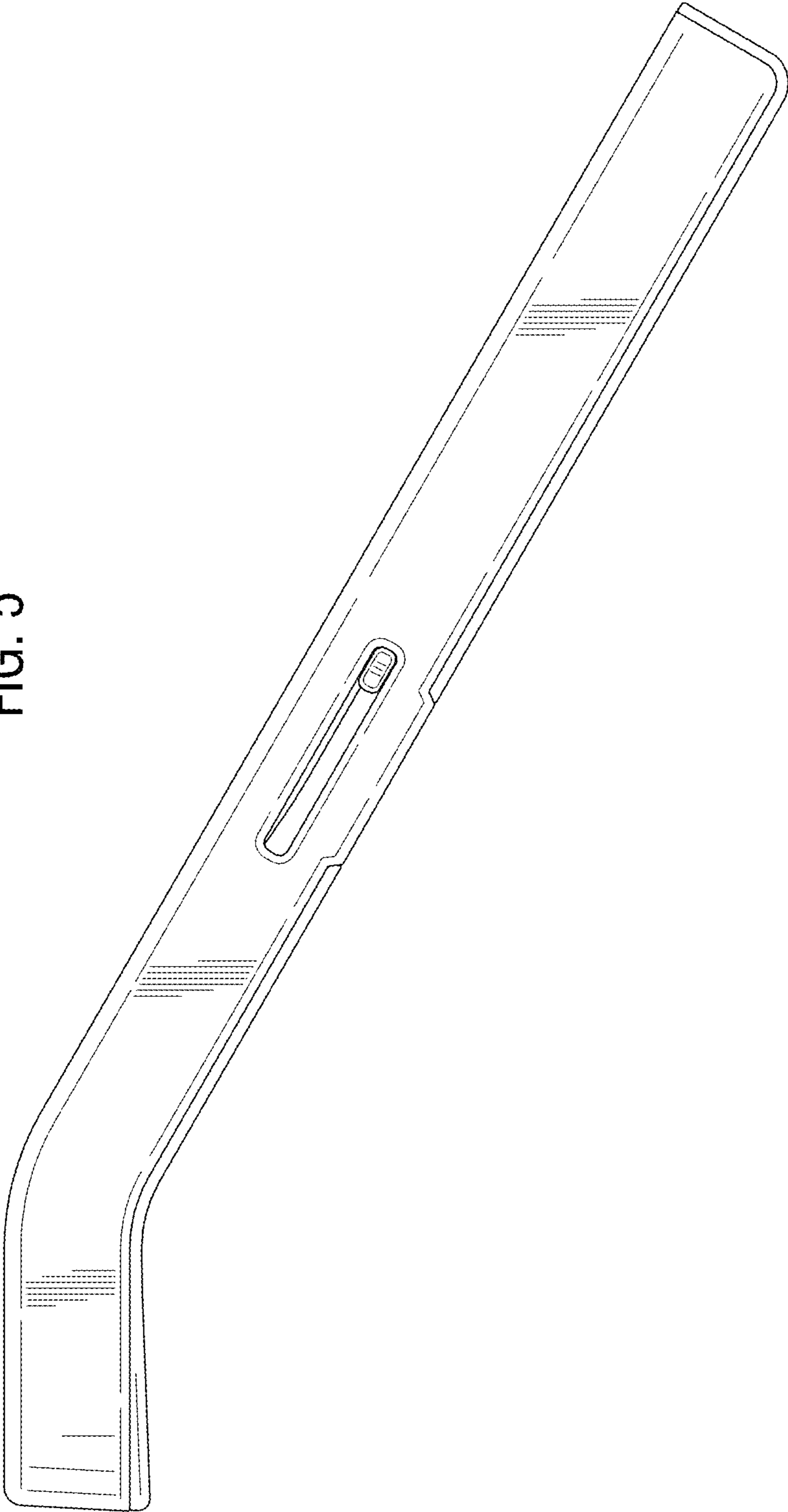


FIG. 5



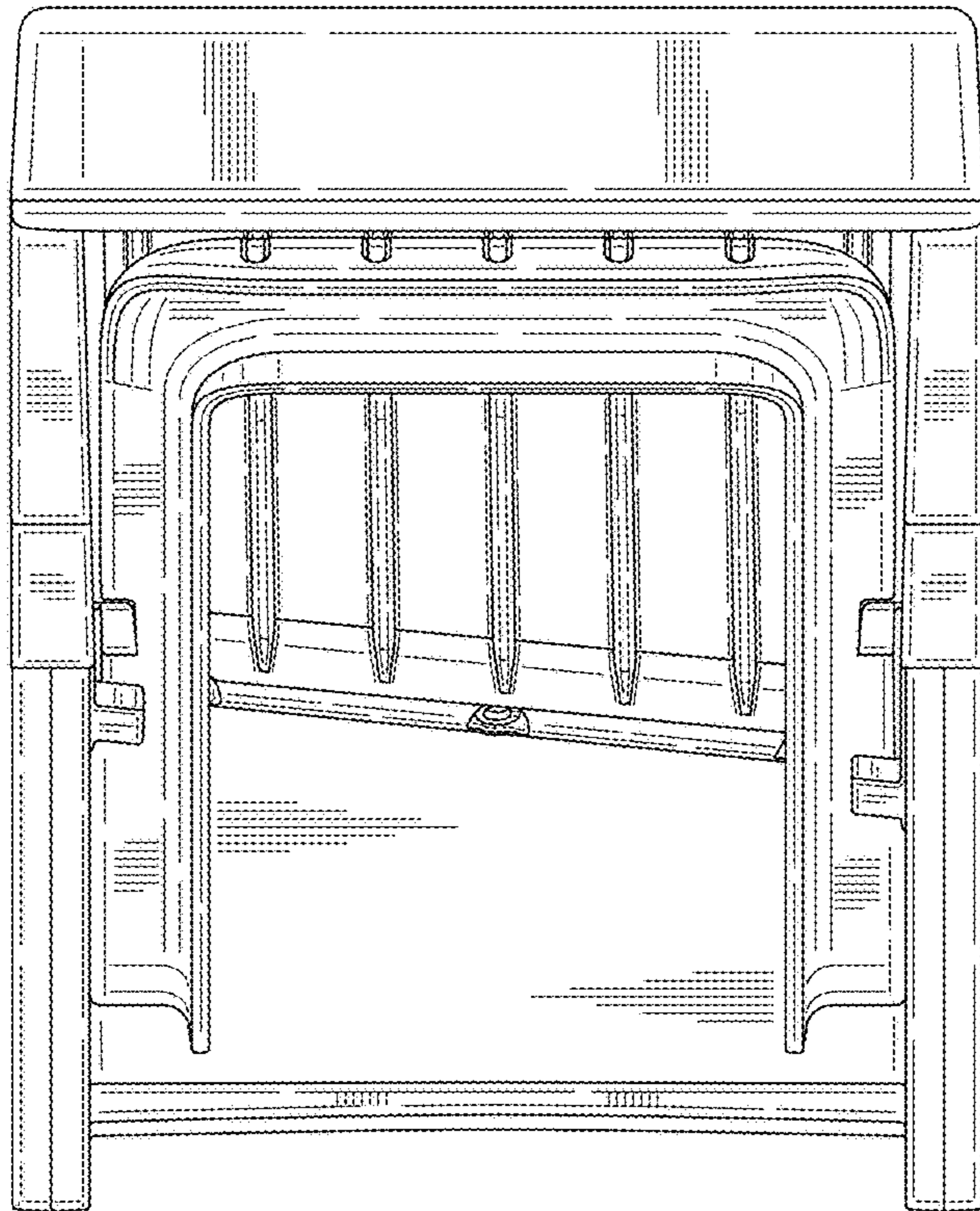


FIG. 6

FIG. 7

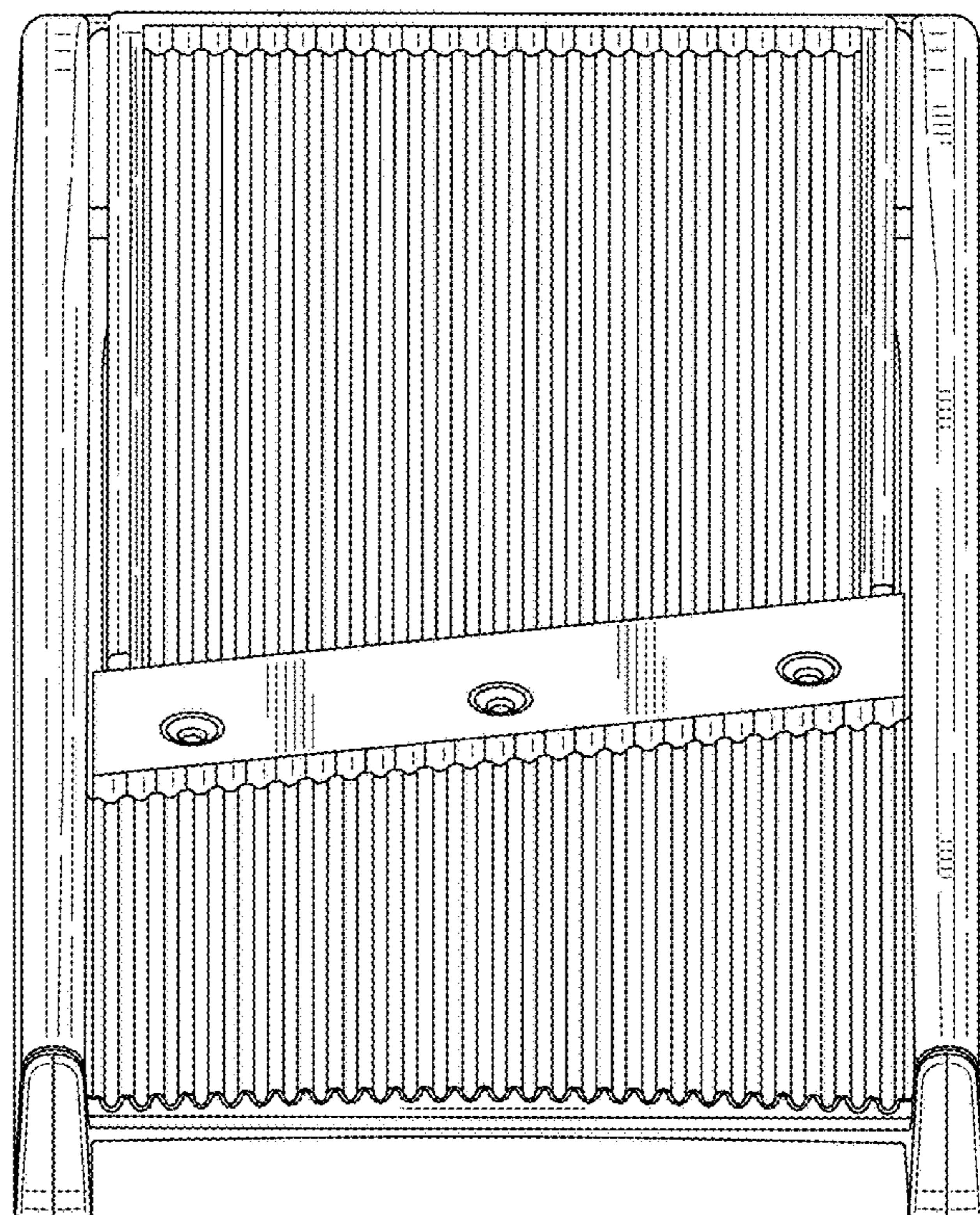


FIG. 8

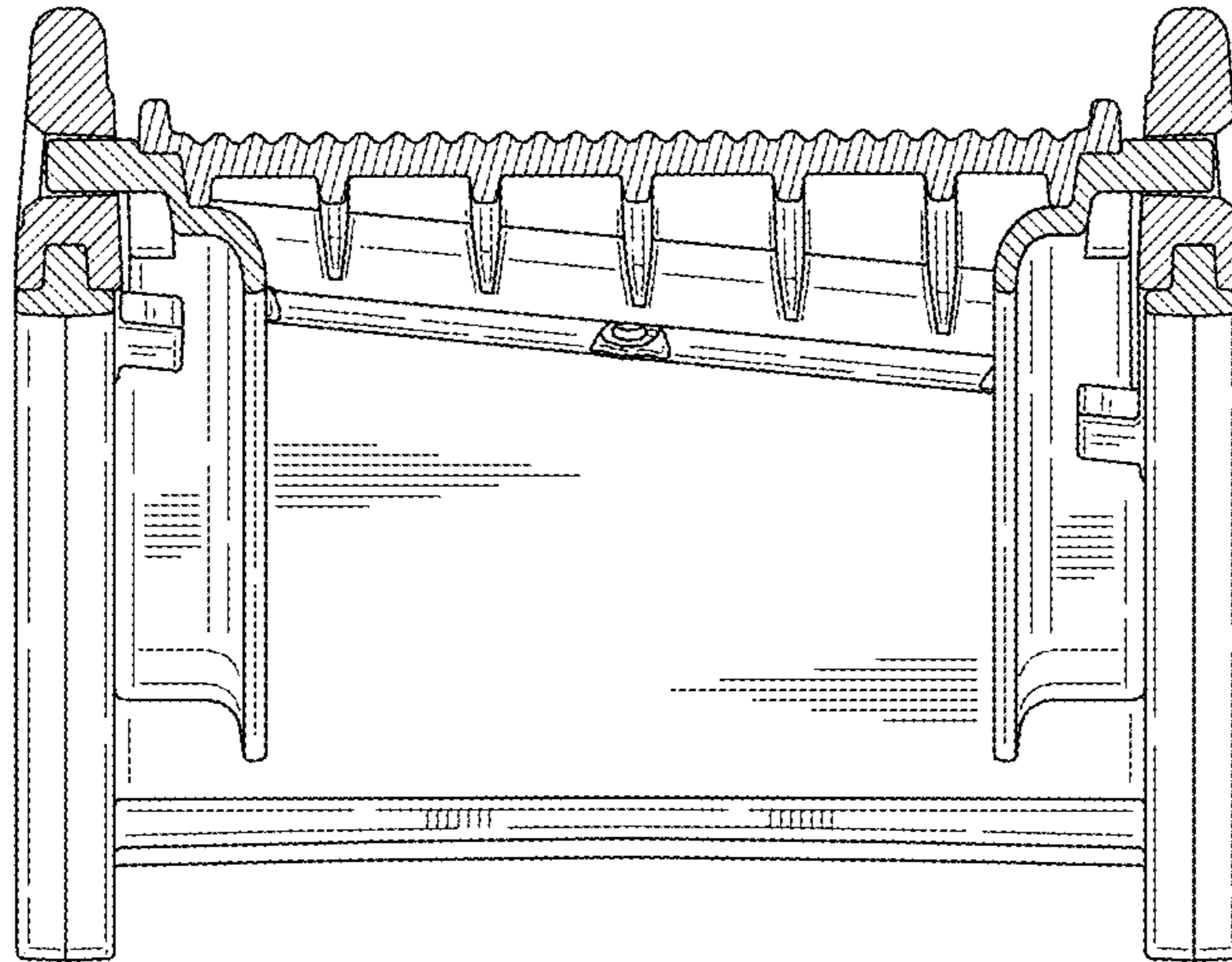


FIG. 9

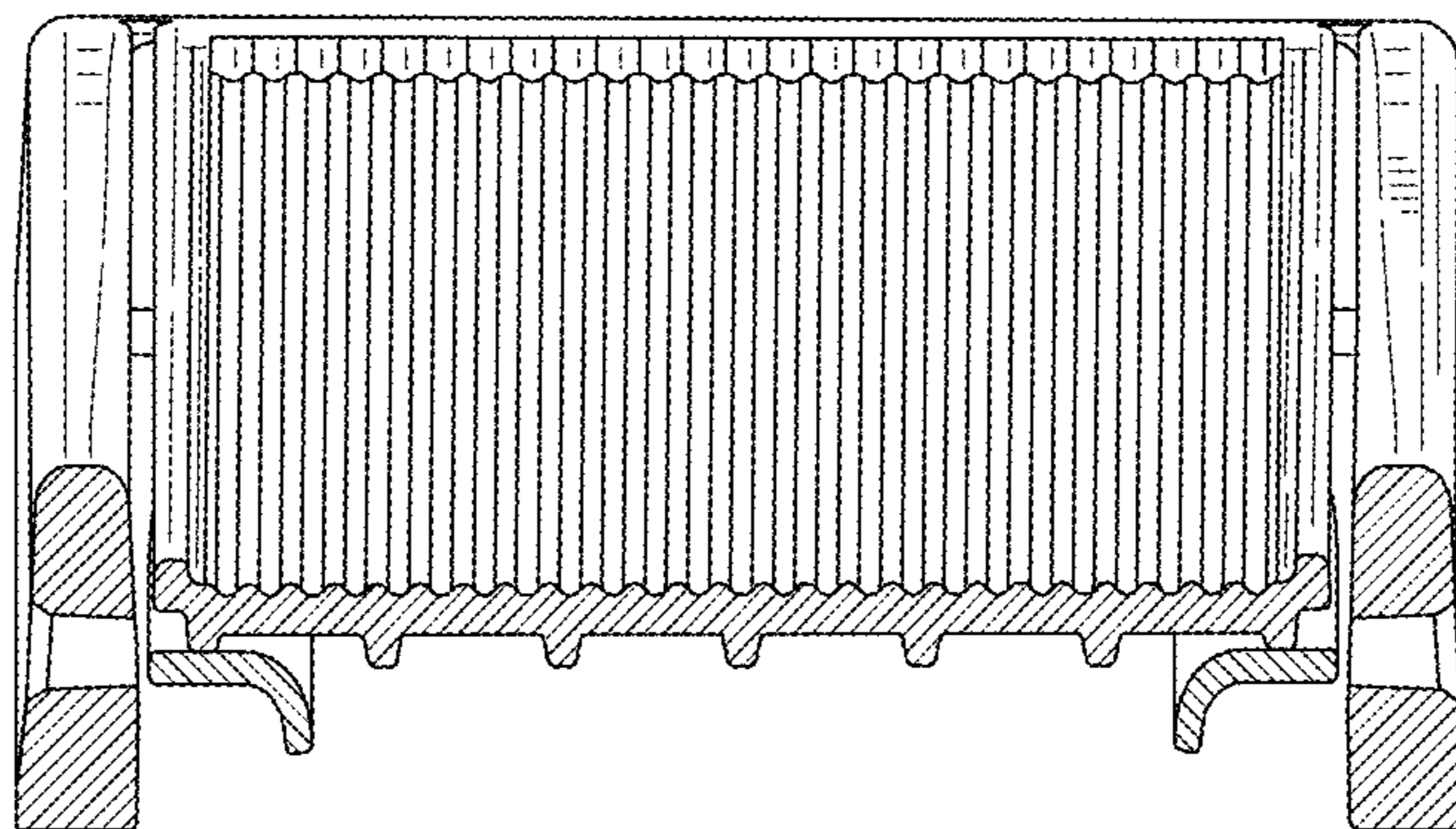


FIG. 10

