



US00D812994S

(12) **United States Design Patent**  
**Mundhra**

(10) **Patent No.:** **US D812,994 S**  
(45) **Date of Patent:** **\*\* Mar. 20, 2018**

- (54) **MULTIUSE UTENSIL**
- (71) Applicant: **Siya, Inc.**, Santa Fe Springs, CA (US)
- (72) Inventor: **Sudhir Mundhra**, Cerritos, CA (US)
- (73) Assignee: **Siya, Inc.**
- (\*\*) Term: **15 Years**
- (21) Appl. No.: **29/612,181**
- (22) Filed: **Jul. 28, 2017**
- (51) **LOC (11) Cl.** ..... **07-03**
- (52) **U.S. Cl.**  
USPC ..... **D7/643**; D7/401.2; D7/642; D7/653
- (58) **Field of Classification Search**  
USPC ..... D7/368, 401.2, 642-645, 653-664, 669,  
D7/675-677, 683, 688-689, 691;  
D8/107, 300-301; D22/117-118  
CPC ... A01D 9/02; A01D 9/04; A01D 9/06; A47G  
21/00; A47G 21/004; A47G 21/005;  
A47G 21/02; A47G 21/023; A47G 21/04;  
A47G 21/06; A47G 21/08; A47J 43/28;  
A47J 43/281; A47J 43/282; A61F 13/10;  
A61J 7/0023; B25G 1/00; B25G 1/01;  
B25G 1/02; B25G 3/00; B65D 75/56;  
B65D 75/563; B65D 75/566; B67B 7/00;  
B67B 7/38; B67B 7/724; B67B 7/73  
See application file for complete search history.

1,229,696 A	6/1917	Woods	
1,288,617 A	12/1918	Kupiszewski	
D53,165 S *	4/1919	Janosik .....	30/147
1,451,542 A	4/1923	Ftyklo	
1,452,337 A	4/1923	Dzmitrowicz	
2,109,016 A	2/1938	Ringer	
2,318,129 A *	5/1943	Torode .....	A47G 21/06 30/147
2,456,858 A	12/1948	Bolling	
D187,937 S	5/1960	Polk	
D249,926 S	10/1978	Wong	
D269,060 S	5/1983	Creamer	
D295,942 S	5/1988	Featherman	
D342,422 S	12/1993	Sanford	
D401,481 S	11/1998	Boilard et al.	

(Continued)

*Primary Examiner* — Ricky Pham  
(74) *Attorney, Agent, or Firm* — Pacifica IP

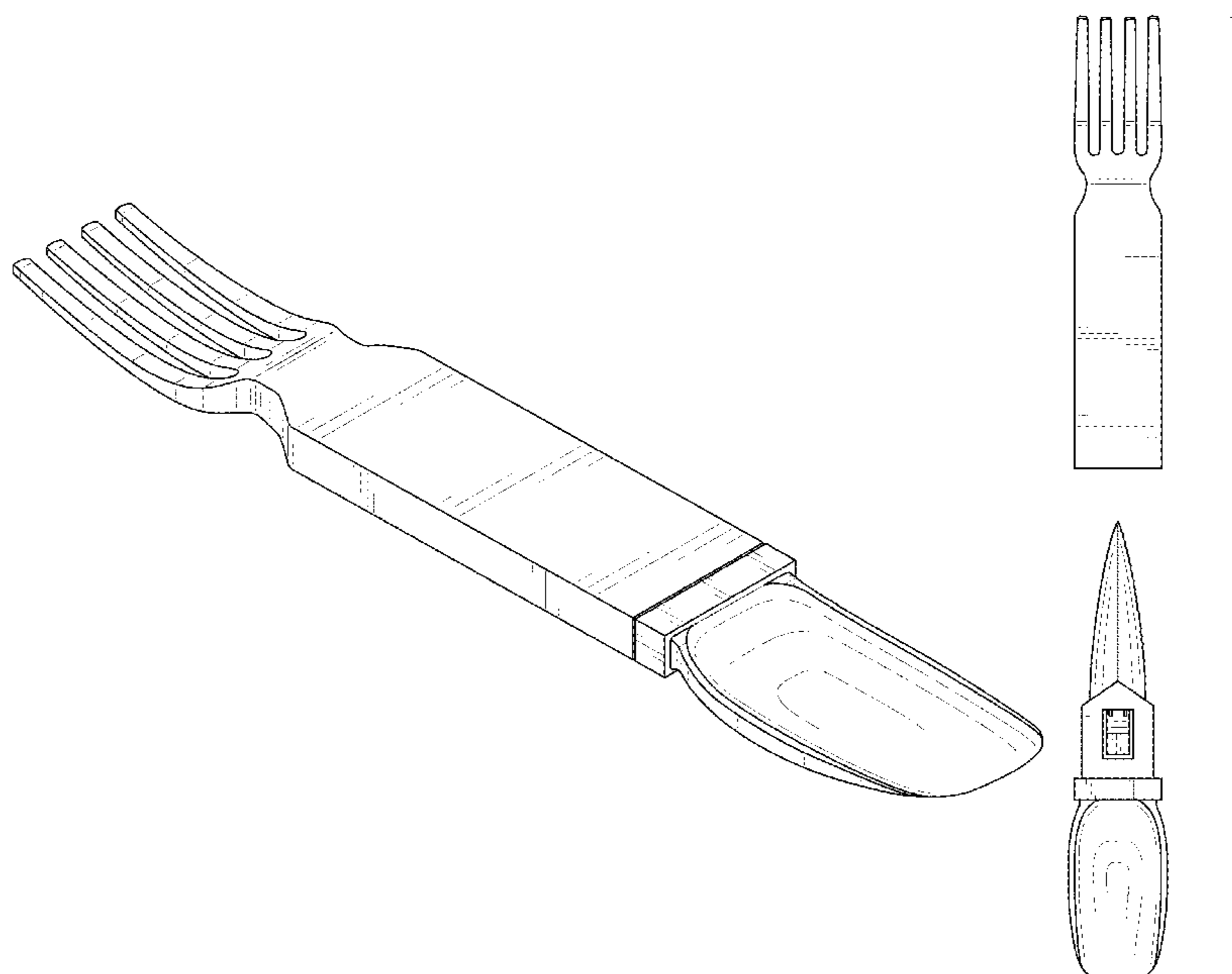
(57) **CLAIM**

The ornamental design for a multiuse utensil, as shown and described.

**DESCRIPTION**

FIG. 1 shows a front perspective view of a multiuse utensil; FIG. 2 shows a front view of the multiuse utensil of FIG. 1; FIG. 3 shows a rear view of the multiuse utensil of FIG. 1; FIG. 4 shows a right view of the multiuse utensil of FIG. 1; FIG. 5 shows a left view of the multiuse utensil of FIG. 1; FIG. 6 shows a top plan view of the multiuse utensil of FIG. 1; FIG. 7 shows a bottom plan view of the multiuse utensil of FIG. 1; FIG. 8 shows an exploded front view of the multiuse utensil of FIG. 1; and, FIG. 9 shows an exploded rear view of the multiuse utensil of FIG. 1.

**1 Claim, 9 Drawing Sheets**



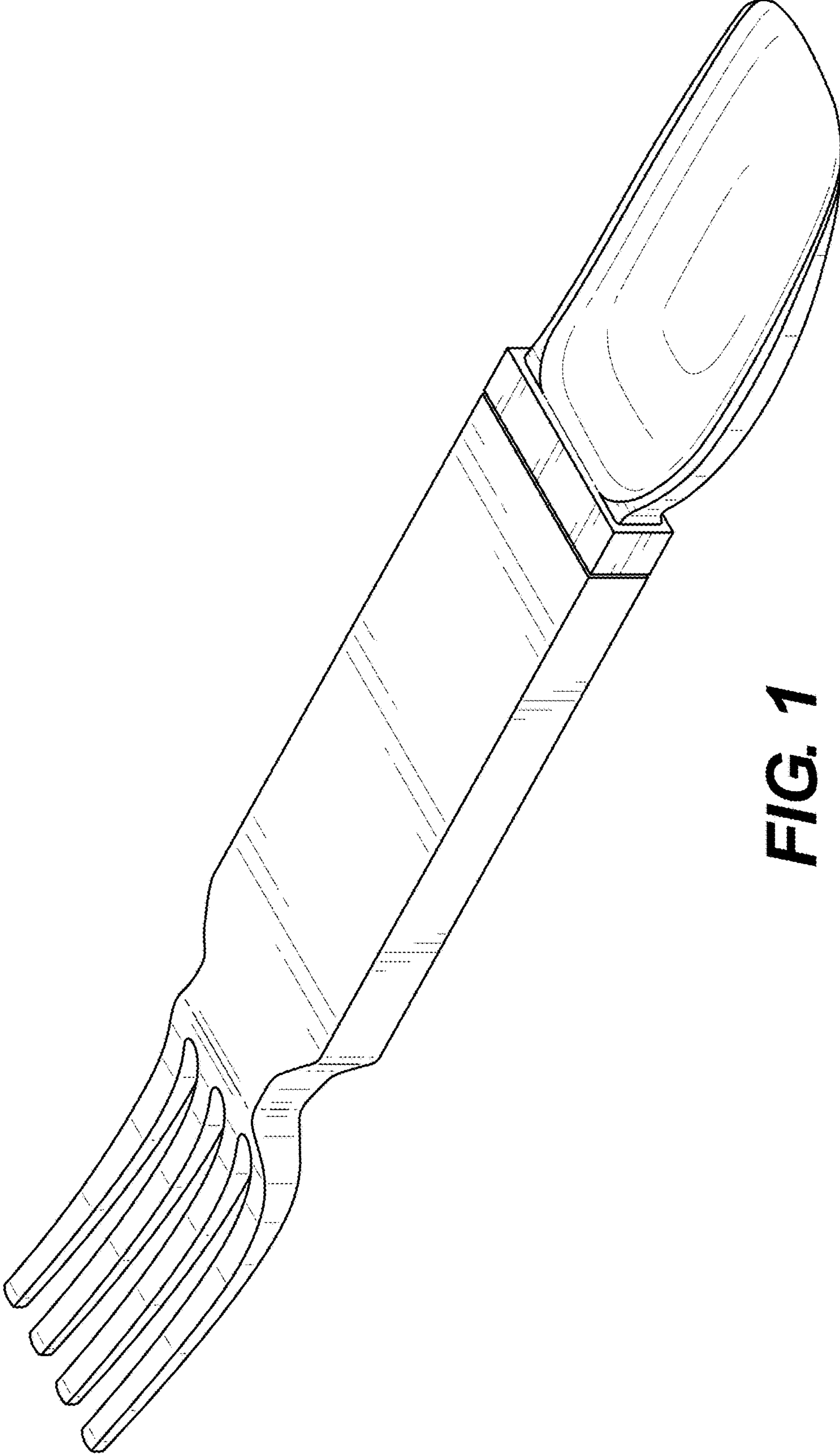
(56)

**References Cited**

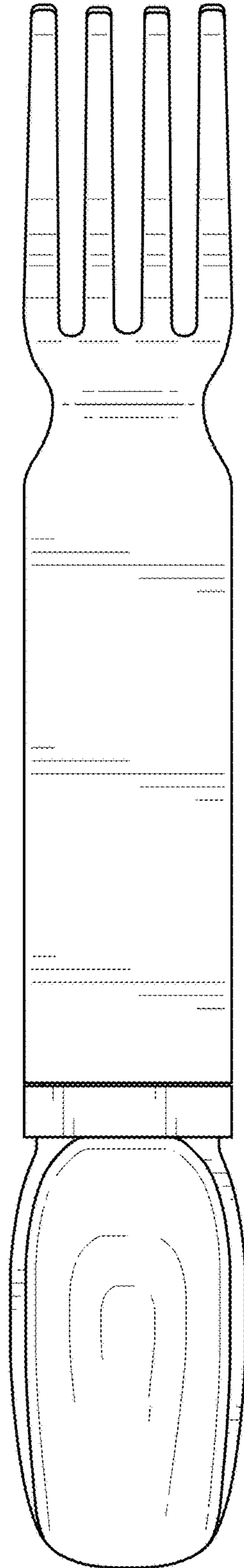
## U.S. PATENT DOCUMENTS

5,845,403 A \* 12/1998 Nivin ..... A47G 21/06  
30/147  
D414,988 S 10/1999 Santini  
D466,764 S 12/2002 Haythornthwaite et al.  
D535,857 S \* 1/2007 Bristow ..... D7/644  
D551,520 S 9/2007 Everett  
D570,163 S 6/2008 Jimenez et al.  
D575,593 S 8/2008 Svartstrom  
D608,602 S 1/2010 Davies  
D684,434 S 6/2013 Harris et al.  
D693,185 S 11/2013 Evans et al.  
D693,188 S 11/2013 Smith et al.  
D709,741 S 7/2014 Barber  
D718,093 S \* 11/2014 Miksovsky ..... D7/643  
D722,837 S 2/2015 Miksovsky et al.  
D732,352 S 6/2015 Ebli  
9,061,429 B2 6/2015 Barber  
D734,208 S 7/2015 Matos  
D741,116 S \* 10/2015 Mundhra ..... D7/643  
D741,118 S \* 10/2015 Mundhra ..... D7/643  
D746,644 S \* 1/2016 Cai ..... D7/643  
D753,447 S \* 4/2016 Busboom ..... D7/642  
9,468,321 B2 \* 10/2016 Miksovsky ..... A47G 21/06  
D794,400 S \* 8/2017 Young ..... D7/643  
2011/0146082 A1 6/2011 Hassanpour  
2014/0220200 A1 8/2014 Di Guglielmo

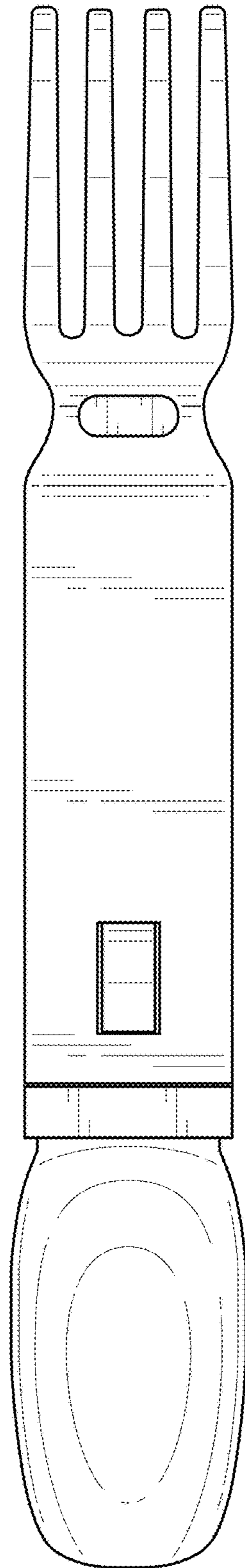
\* cited by examiner



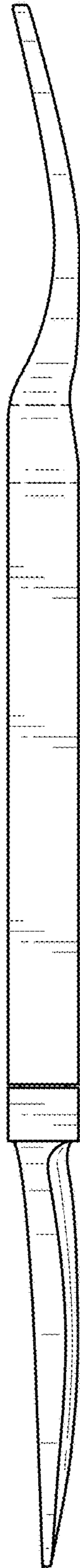
**FIG. 1**



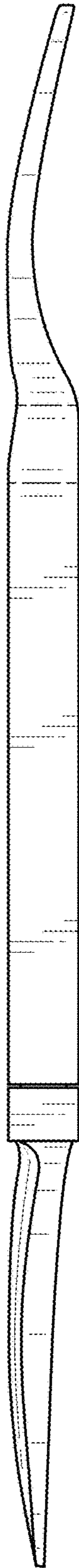
**FIG. 2**



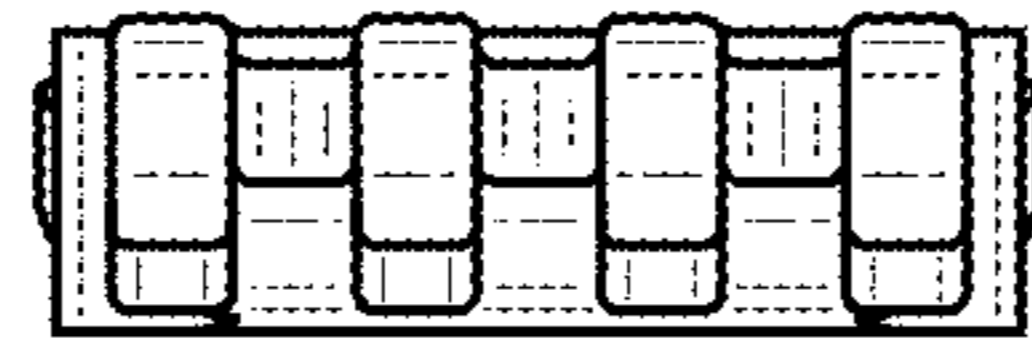
**FIG. 3**



**FIG. 4**



**FIG. 5**

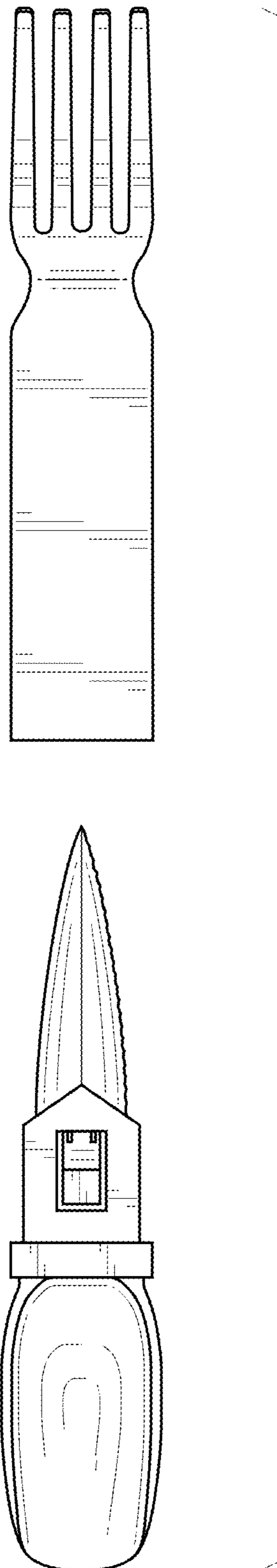


***FIG. 6***

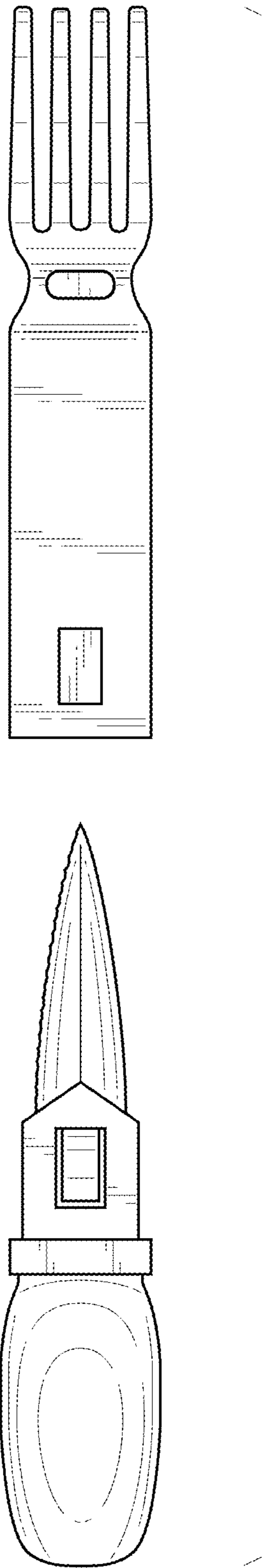




***FIG. 7***



**FIG. 8**



**FIG. 9**