



US00D812993S

(12) **United States Design Patent** (10) **Patent No.:** **US D812,993 S**  
**Liu** (45) **Date of Patent:** **\*\* Mar. 20, 2018**

(54) **KNIFE BLOCK**

(71) Applicant: **Yunxing Liu**, Irvine, CA (US)

(72) Inventor: **Yunxing Liu**, Irvine, CA (US)

(\*\*) Term: **15 Years**

(21) Appl. No.: **29/591,104**

(22) Filed: **Jan. 17, 2017**

(51) **LOC (11) Cl.** ..... **07-99**

(52) **U.S. Cl.**  
USPC ..... **D7/637**

(58) **Field of Classification Search**  
USPC ..... D7/637-638; 30/298.4, 296.1; 206/372,  
206/373, 553; 211/70.7; 248/37.3, 111  
CPC ..... A47B 88/20; A47F 7/00; A47G 21/00;  
A47G 21/14; B26B 3/00  
See application file for complete search history.

(56) **References Cited**

**U.S. PATENT DOCUMENTS**

D366,990 S \* 2/1996 Cheung ..... D7/637  
D421,879 S \* 3/2000 Miller ..... D7/637  
D646,935 S \* 10/2011 Hatch ..... D7/637  
8,627,571 B2 \* 1/2014 Rabinovich ..... A47G 21/14  
30/296.1  
9,149,914 B2 \* 10/2015 Barber ..... B24D 15/084

D764,240 S \* 8/2016 Pallotto ..... D7/637  
2015/0257563 A1 \* 9/2015 Ludeman ..... A47J 47/16  
211/70.7  
2016/0107824 A1 \* 4/2016 Xu ..... A43D 999/00  
221/56

\* cited by examiner

*Primary Examiner* — Derrick E Holland  
*Assistant Examiner* — Janice Julia Patyk

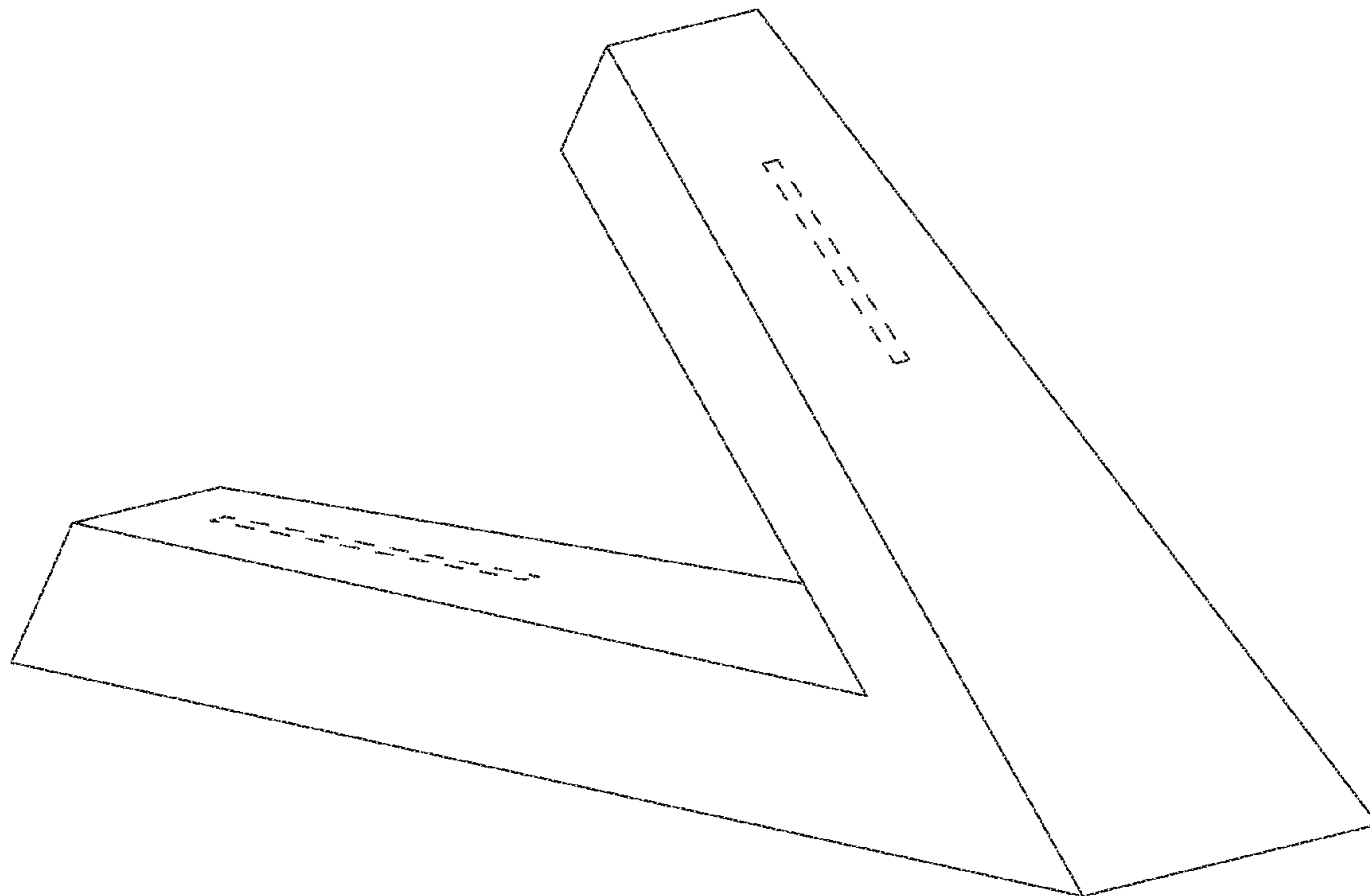
(57) **CLAIM**

The ornamental design for a knife block, as shown and described.

**DESCRIPTION**

FIG. 1 is a left-side perspective view of a knife block, showing my new design.  
FIG. 2 is a left-side view thereof, and the right side being a mirror image thereof.  
FIG. 3 is a top view thereof.  
FIG. 4 is a bottom view thereof.  
FIG. 5 is a rear view thereof; and,  
FIG. 6 is a front view thereof.  
The broken line portions show unclaimed subject matter only and form no part of the claimed design.

**1 Claim, 4 Drawing Sheets**



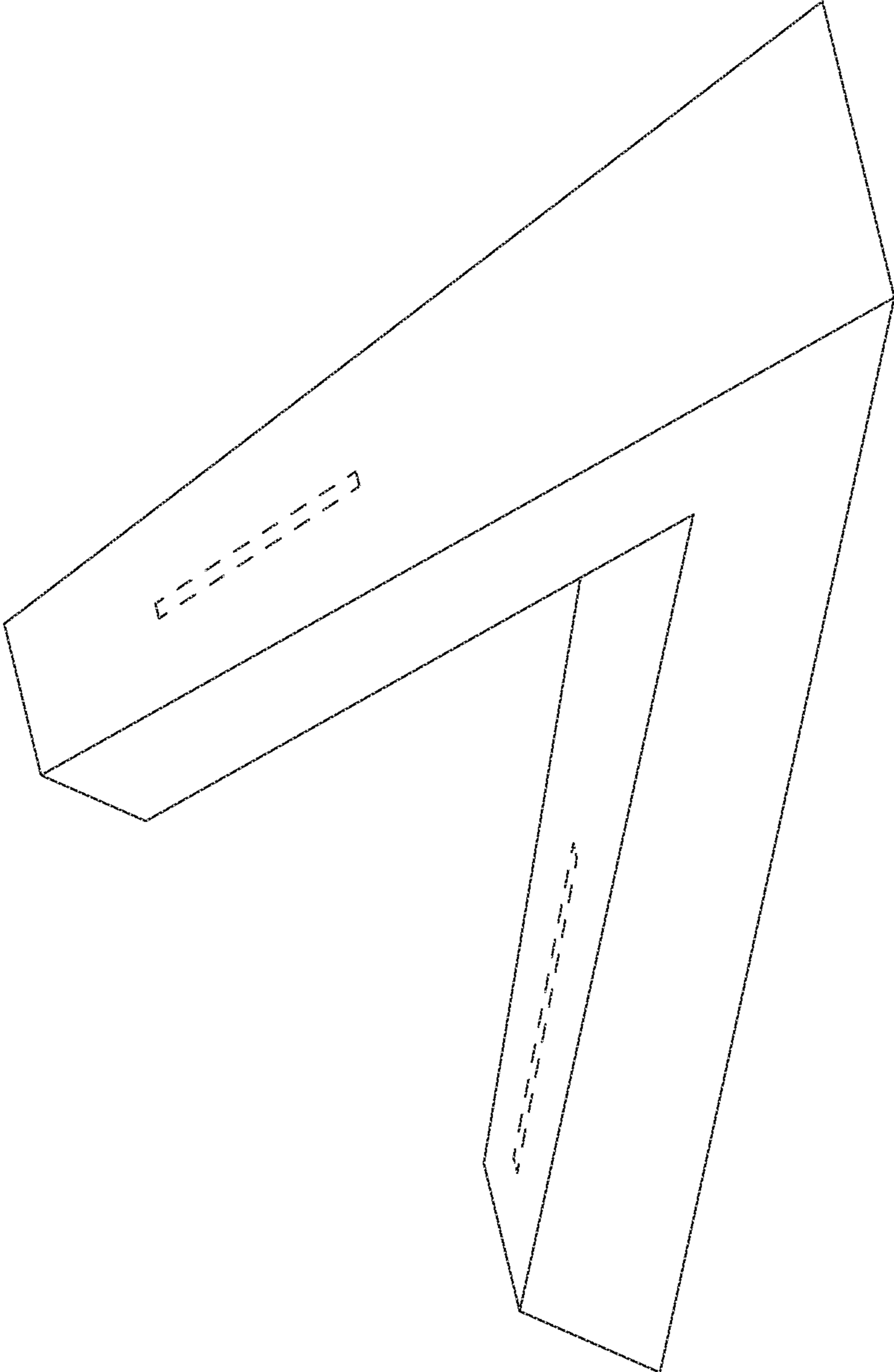


Fig. 1

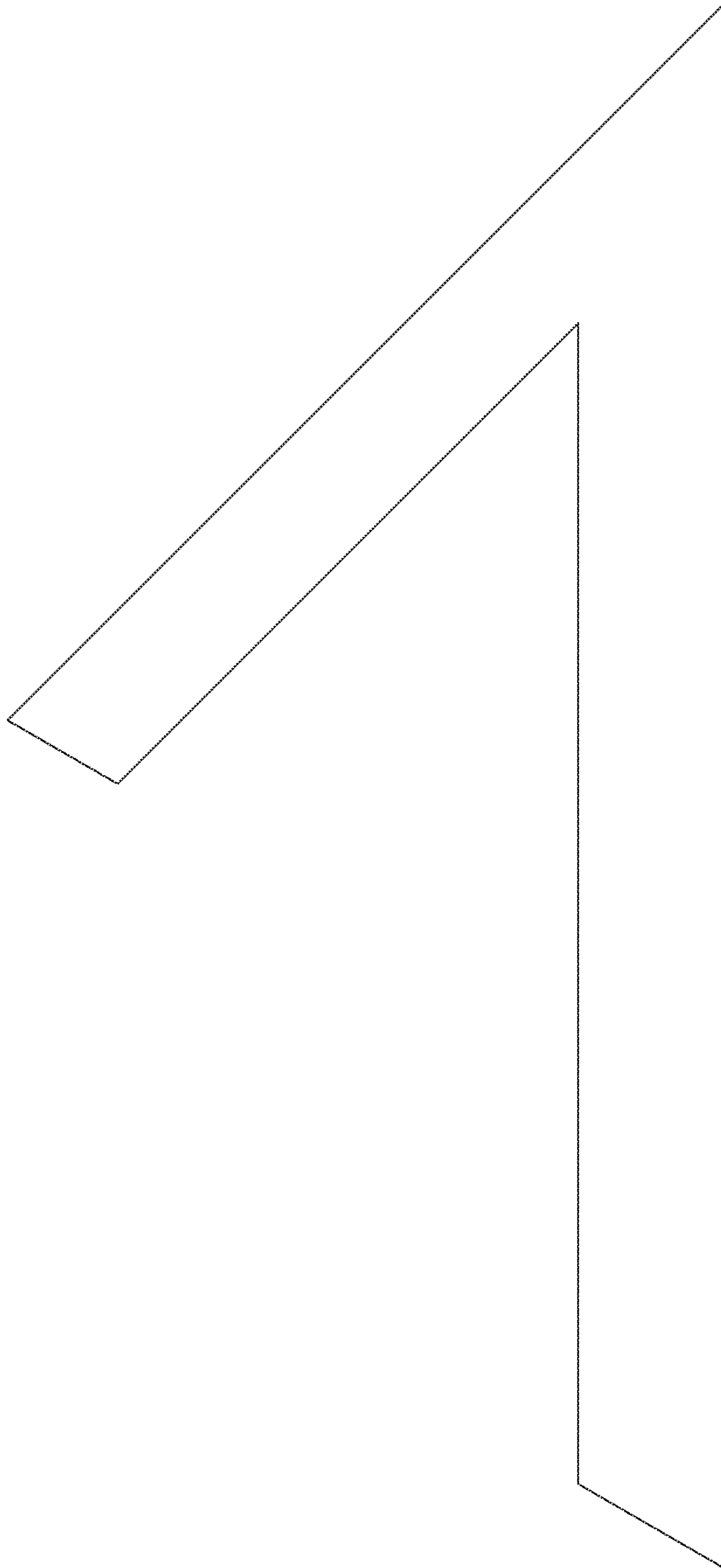


Fig. 2

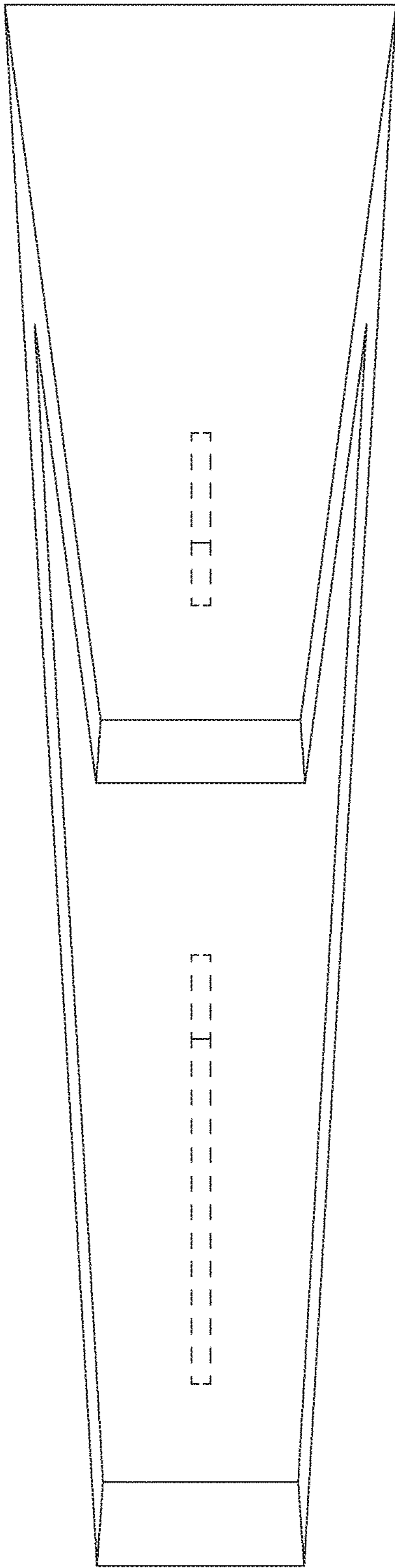


Fig. 3

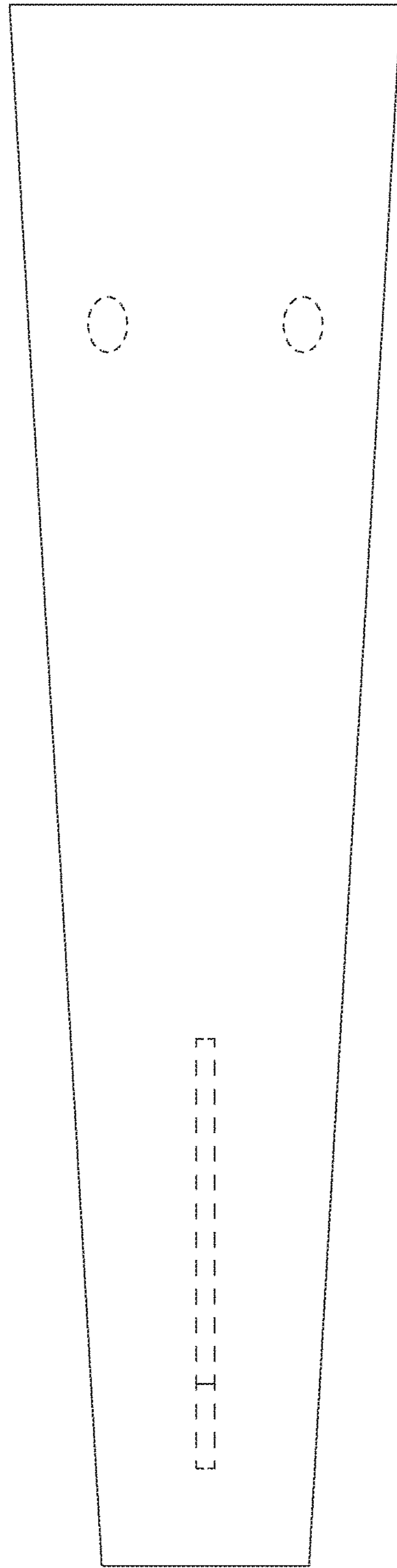


Fig. 4

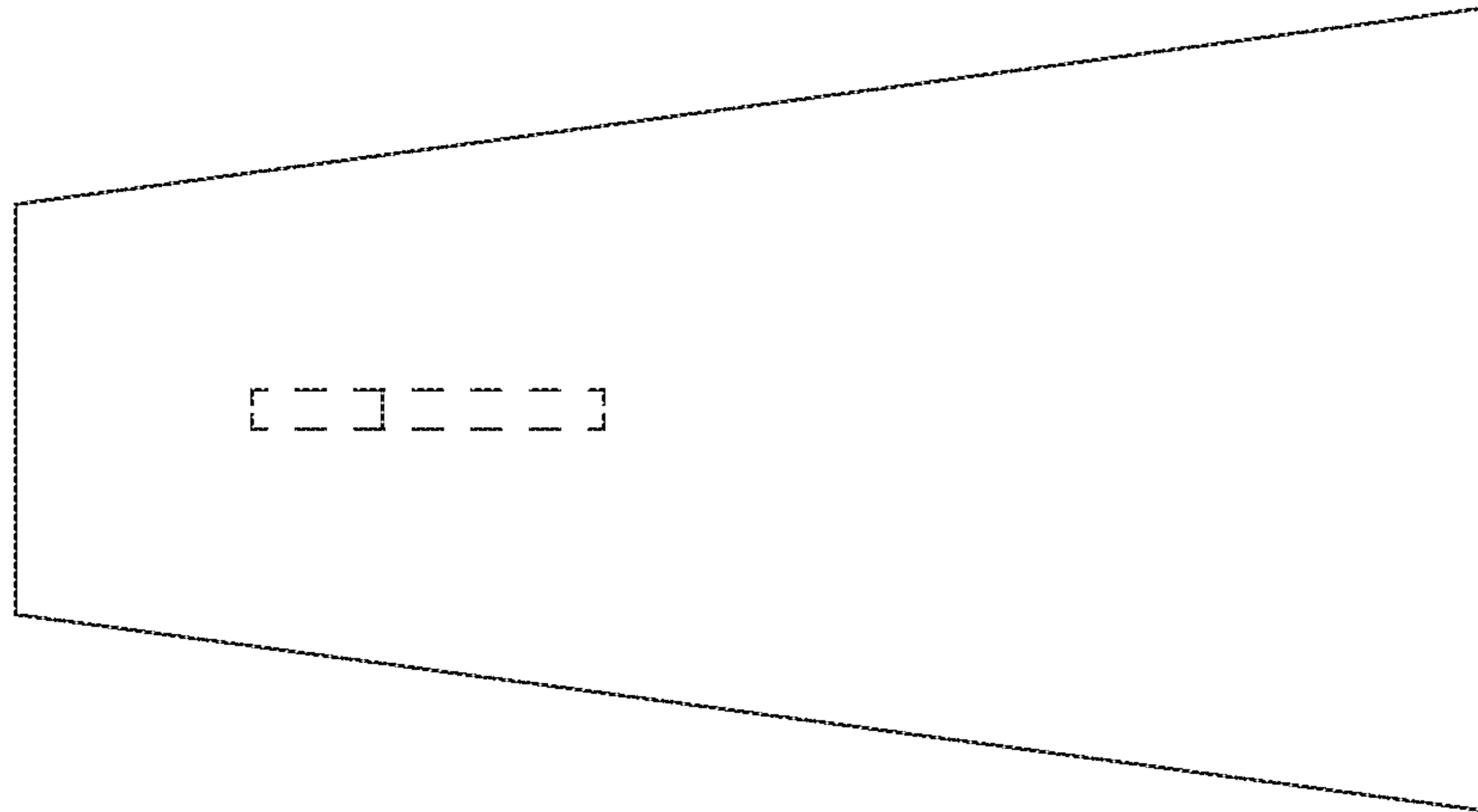


Fig. 6

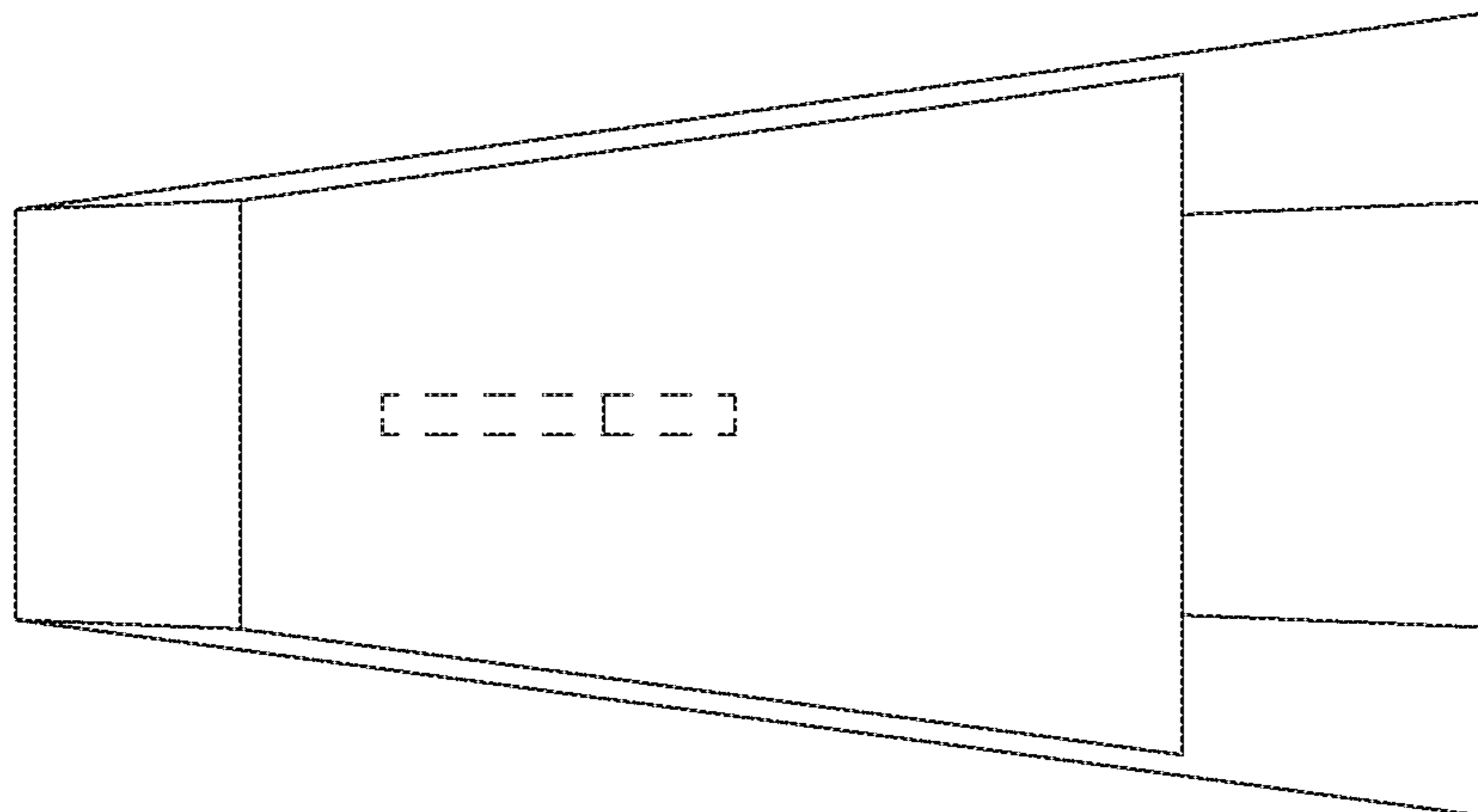


Fig. 5