



US00D812992S

(12) **United States Design Patent**  
**Pisarevsky**

(10) **Patent No.:** **US D812,992 S**  
(45) **Date of Patent:** **\*\* \*Mar. 20, 2018**

(54) **INSULATING CONTAINER FOR BEVERAGE CONTAINER**

(71) Applicant: **Eric Pisarevsky**, Montreal (CA)

(72) Inventor: **Eric Pisarevsky**, Montreal (CA)

(\* ) Notice: This patent is subject to a terminal disclaimer.

(\*\*) Term: **15 Years**

(21) Appl. No.: **29/550,370**

(22) Filed: **Jan. 3, 2016**

(51) **LOC (11) Cl.** ..... **09-03**

(52) **U.S. Cl.**

USPC ..... **D7/624.3**

(58) **Field of Classification Search**

USPC ..... D7/523, 509, 300.1, 605, 543, 510, 538,  
D7/537, 301-302, 514; D9/516, 544,  
D9/562-564, 569, 520, 548

CPC ..... C02F 2307/02; C02F 1/002; A45F 3/16;  
A45F 2003/163; A45F 2003/166; A45F  
2200/0583; B62J 11/00; B65D 1/0207;  
B65D 47/30; B65D 23/102; A47G  
19/2205; A47G 19/2288; A47G 19/23;  
A47G 19/2294; A47G 19/2272; A47G  
19/28

See application file for complete search history.

(56) **References Cited**

**U.S. PATENT DOCUMENTS**

D476,570 S *	7/2003	Silvers	.....	D9/500
D561,026 S *	2/2008	Rica	.....	D9/500
D587,595 S *	3/2009	Schuemann	.....	D9/520
D684,805 S *	6/2013	Bjerre-Poulsen	.....	D7/300.1
D689,332 S *	9/2013	Krasner	.....	D30/132
D699,516 S *	2/2014	Kim	.....	D7/510
D742,233 S *	11/2015	Klarin	.....	D9/500

(Continued)

**FOREIGN PATENT DOCUMENTS**

CN 104555043 A \* 4/2015  
CN 205034470 U \* 2/2016

(Continued)

**OTHER PUBLICATIONS**

Brewtis the BottleKeeper, posted at Dudiwantthat.com, posted on Dec. 26, 2013, site visited Dec. 1, 2016, <<http://www.dudeiwantthat.com/gear/food-drink/brewtis-the-bottlekeeper.asp>>.\*

(Continued)

*Primary Examiner* — Barbara Fox

*Assistant Examiner* — Messina L Smith

(57) **CLAIM**

The ornamental design for an insulating container for a beverage container, as shown and described.

**DESCRIPTION**

FIG. 1 is a perspective view of an insulating container for a beverage container showing my new design.

FIG. 2 is an exploded view thereof;

FIG. 3 is a right side view of the configuration shown in FIG. 1;

FIG. 4 is a left view thereof;

FIG. 5 is a front view thereof;

FIG. 6 is a rear view thereof;

FIG. 7 is a top view thereof;

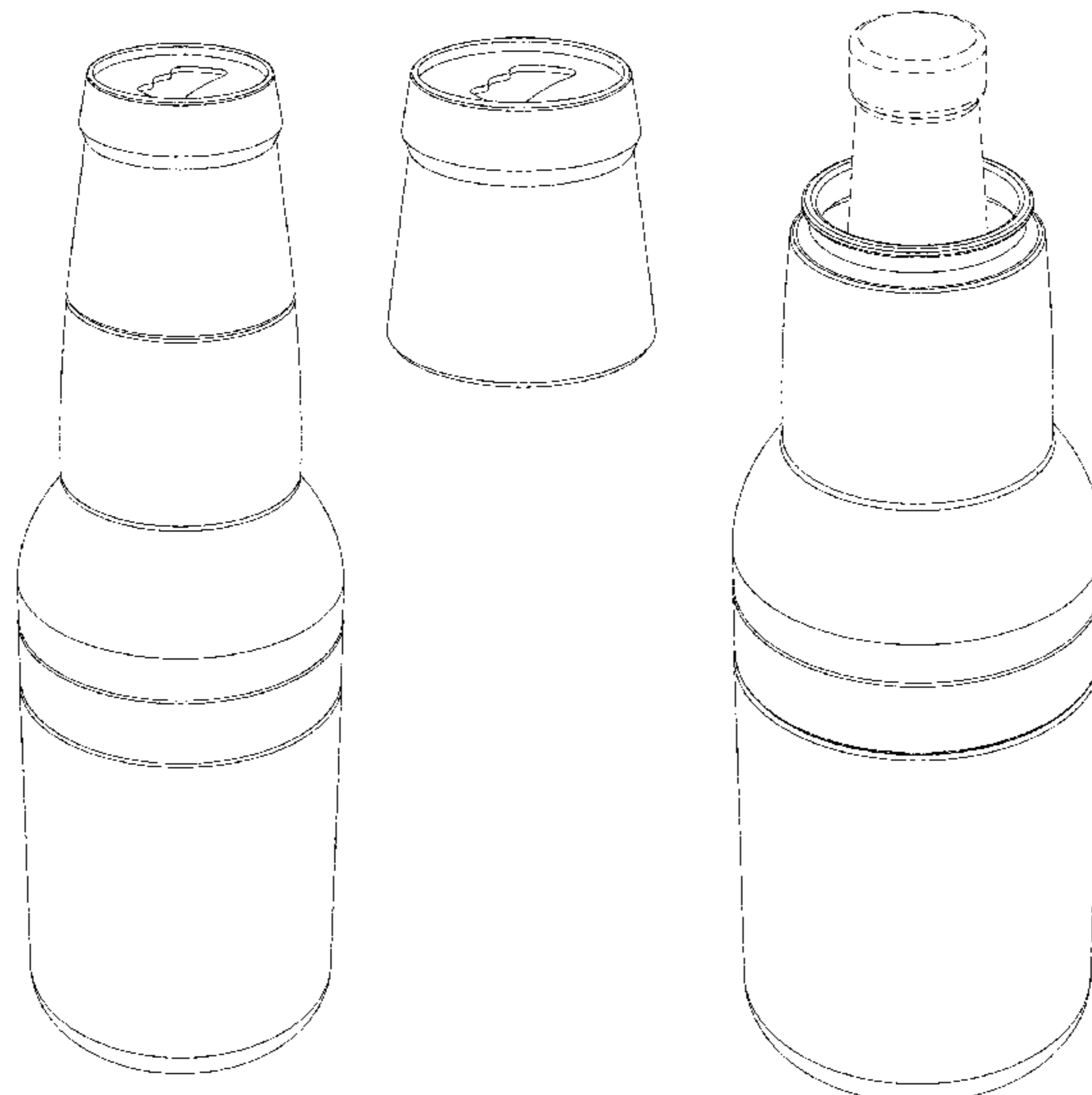
FIG. 8 is a bottom view thereof;

FIG. 9 is a perspective view thereof in a second configuration; and,

FIG. 10 is a perspective view thereof in a third configuration.

The broken line showing of a bottle in FIG. 9 and a can in FIG. 10 depicts environment and forms no part of the claimed design. All other broken lines depict portions of the insulating container for a beverage container that form no part of the claimed design.

**1 Claim, 7 Drawing Sheets**



(56)

**References Cited**

U.S. PATENT DOCUMENTS

2007/0138212 A1\* 6/2007 Greenbaum ..... B65D 81/245  
222/383.1  
2010/0084362 A1\* 4/2010 Letchinger ..... B65D 11/04  
215/200  
2012/0199548 A1\* 8/2012 Kitto ..... B65D 55/16  
215/316  
2013/0153591 A1\* 6/2013 Grimes ..... A01K 91/02  
220/735

FOREIGN PATENT DOCUMENTS

CN 205164271 U \* 4/2016  
KR 446651 Y1 \* 11/2009  
KR 2010000510 U \* 1/2010  
KR 2014139157 A \* 12/2014  
WO WO 9929394 A1 \* 6/1999 ..... B01D 35/02

OTHER PUBLICATIONS

Frosty Beer 2 Go—FC2G, posted at Asobubottle.com, no posting date given, © 2012, site visited Dec. 1, 2016, <<http://www.asobubottle.com/product/51.html>>.\*

Asobu Frosty Beer 2 Go Vacuum Insulated Double Walled Stainless Steel Beer Bottle and Can Cooler with Beer Opener (Black), posted at Amazon.com, posted on Aug. 7, 2016, site visited Dec. 1, 2016, <<https://www.amazon.com/Frosty-Vacuum-Insulated-Double-Stainless/dp/B01JW136O2>>.\*

Frosty Beer 2 Go—FC2GO, posted at Adnart.com, no posting date given, © 2011, site visited Dec. 1, 2016, <<http://www.adnart.com/us/product.php?id=339>>.\*

\* cited by examiner

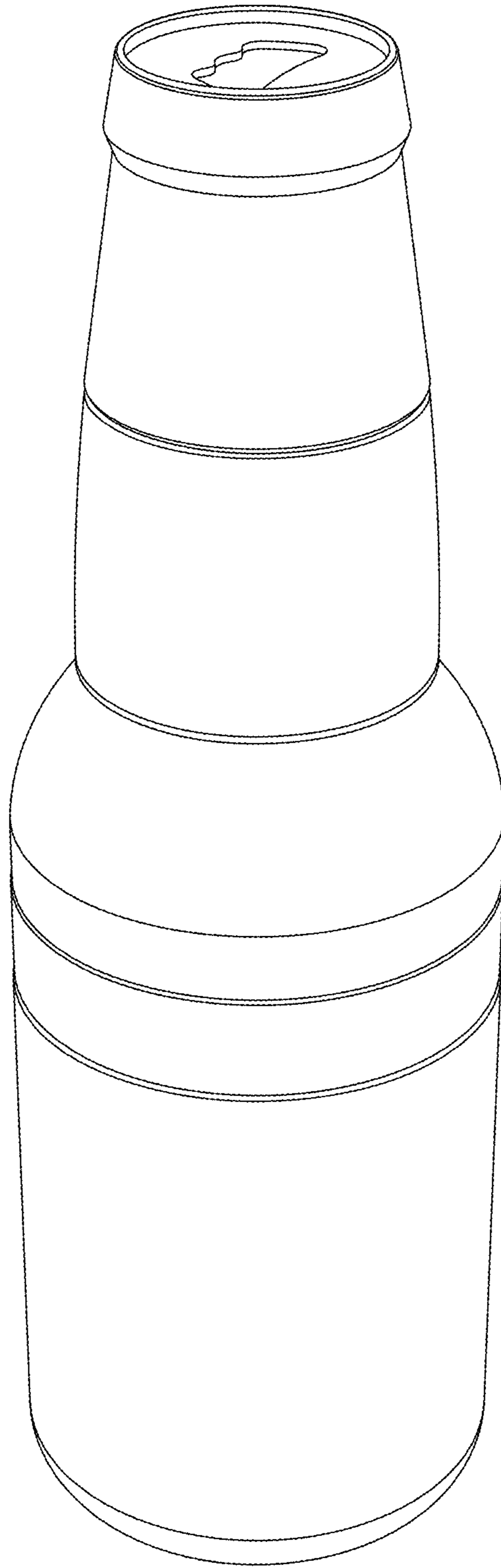


fig. 1

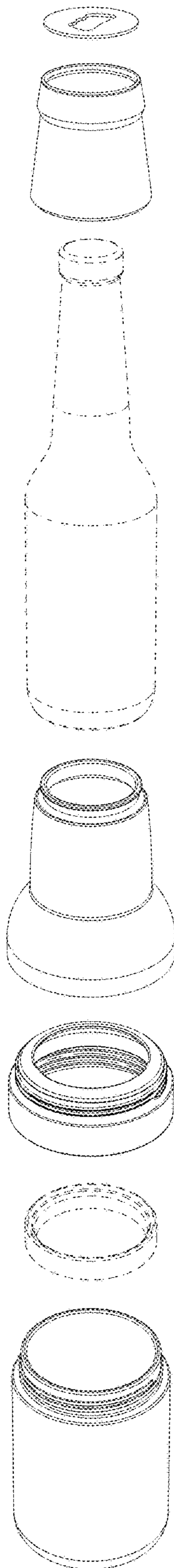


fig.2

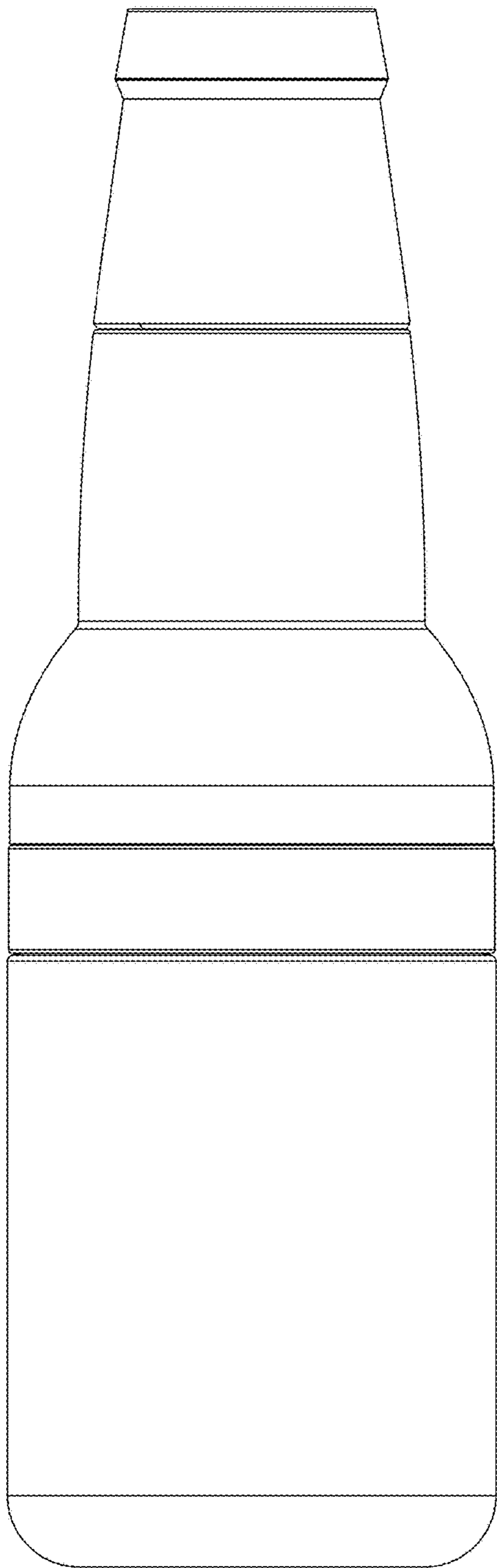


fig.3

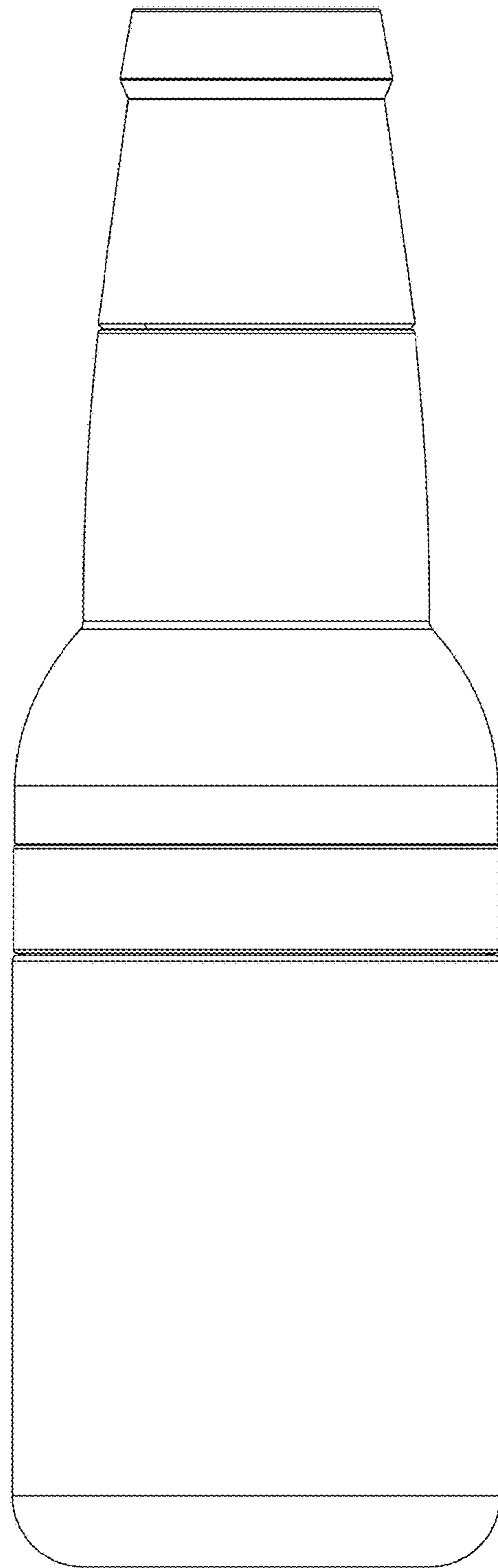


fig.4

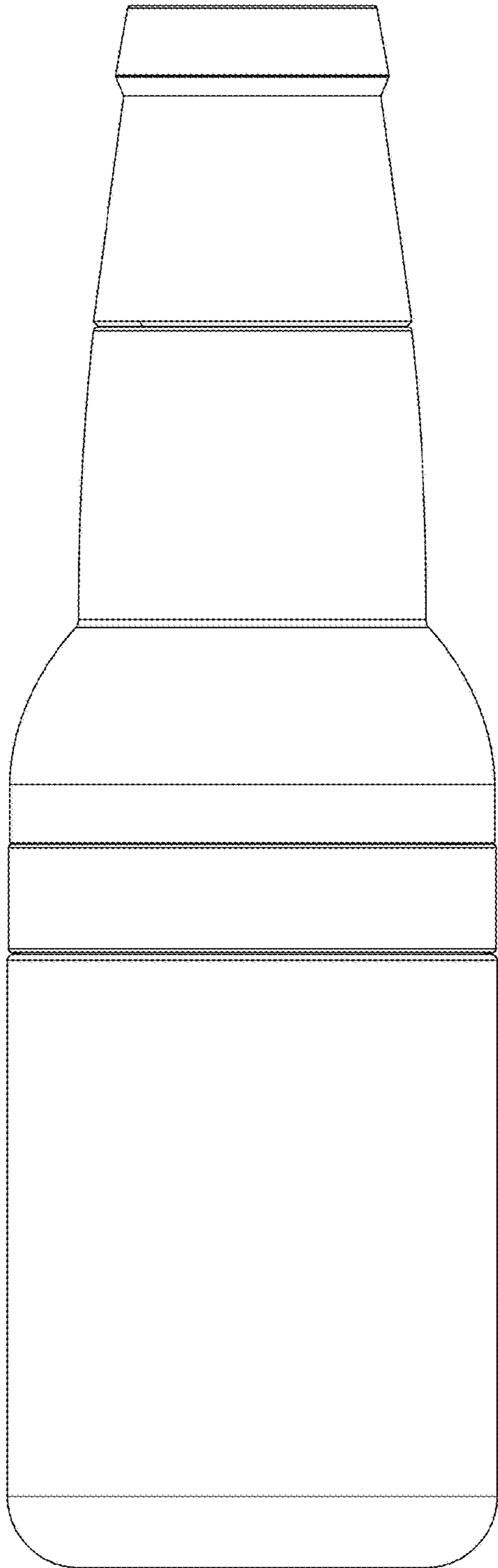


fig.5

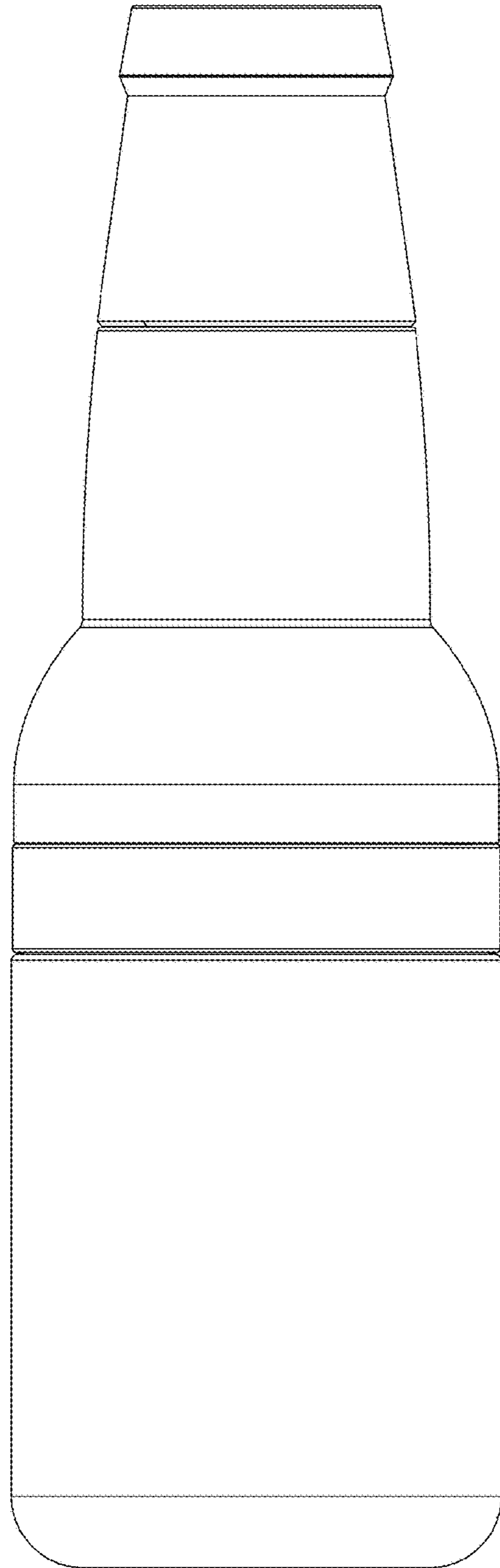


fig.6

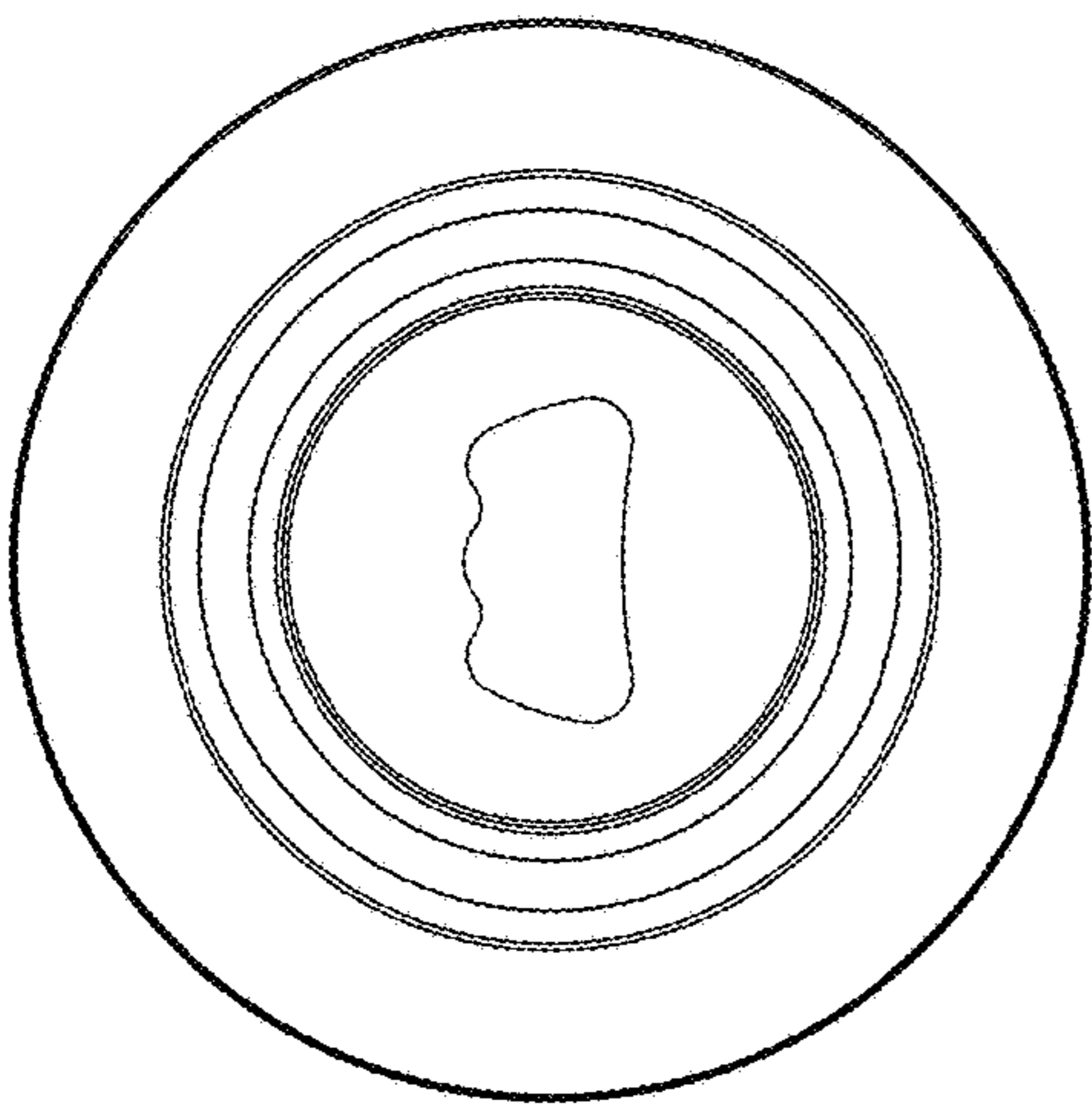


fig.7

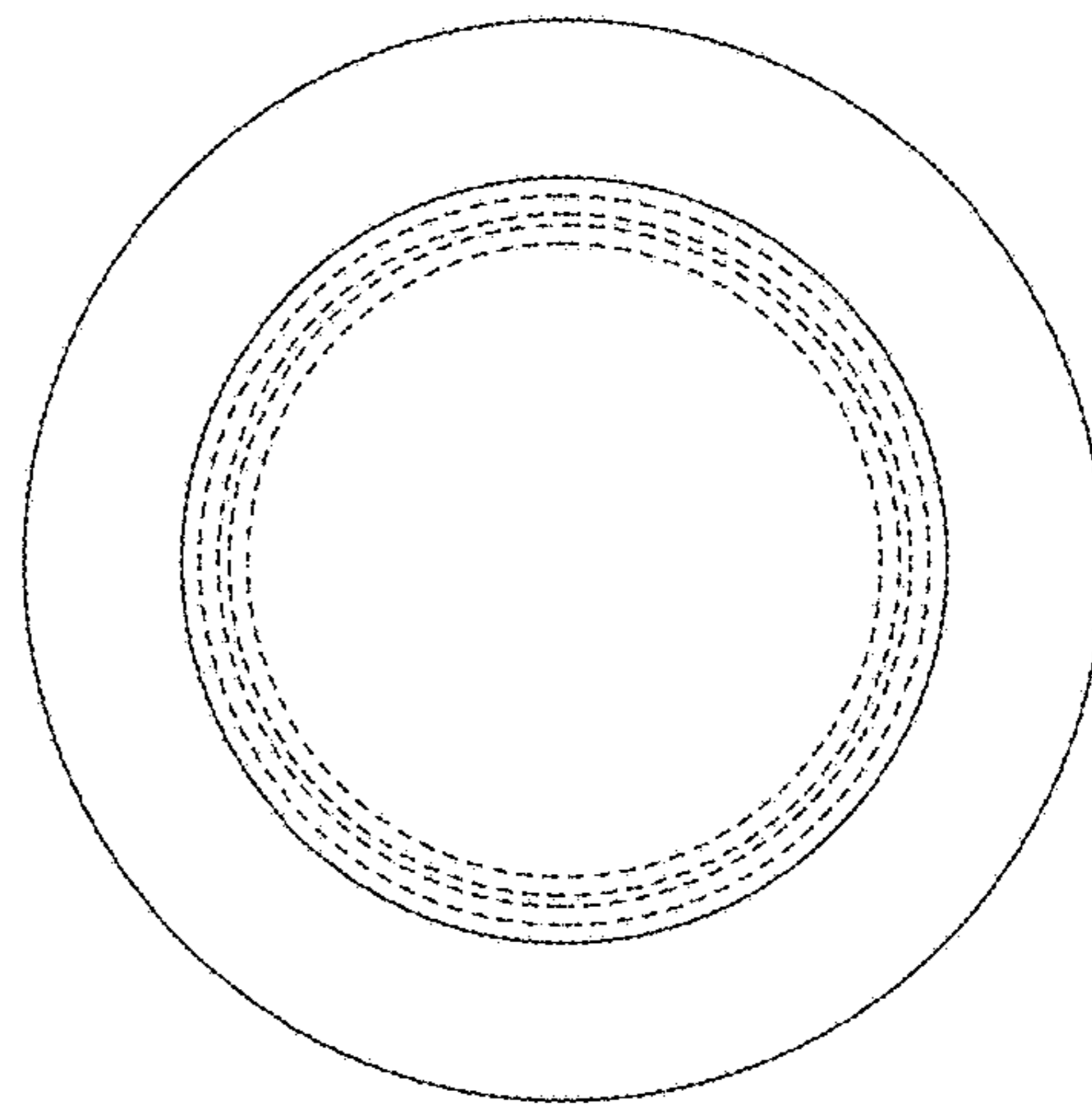


fig.8

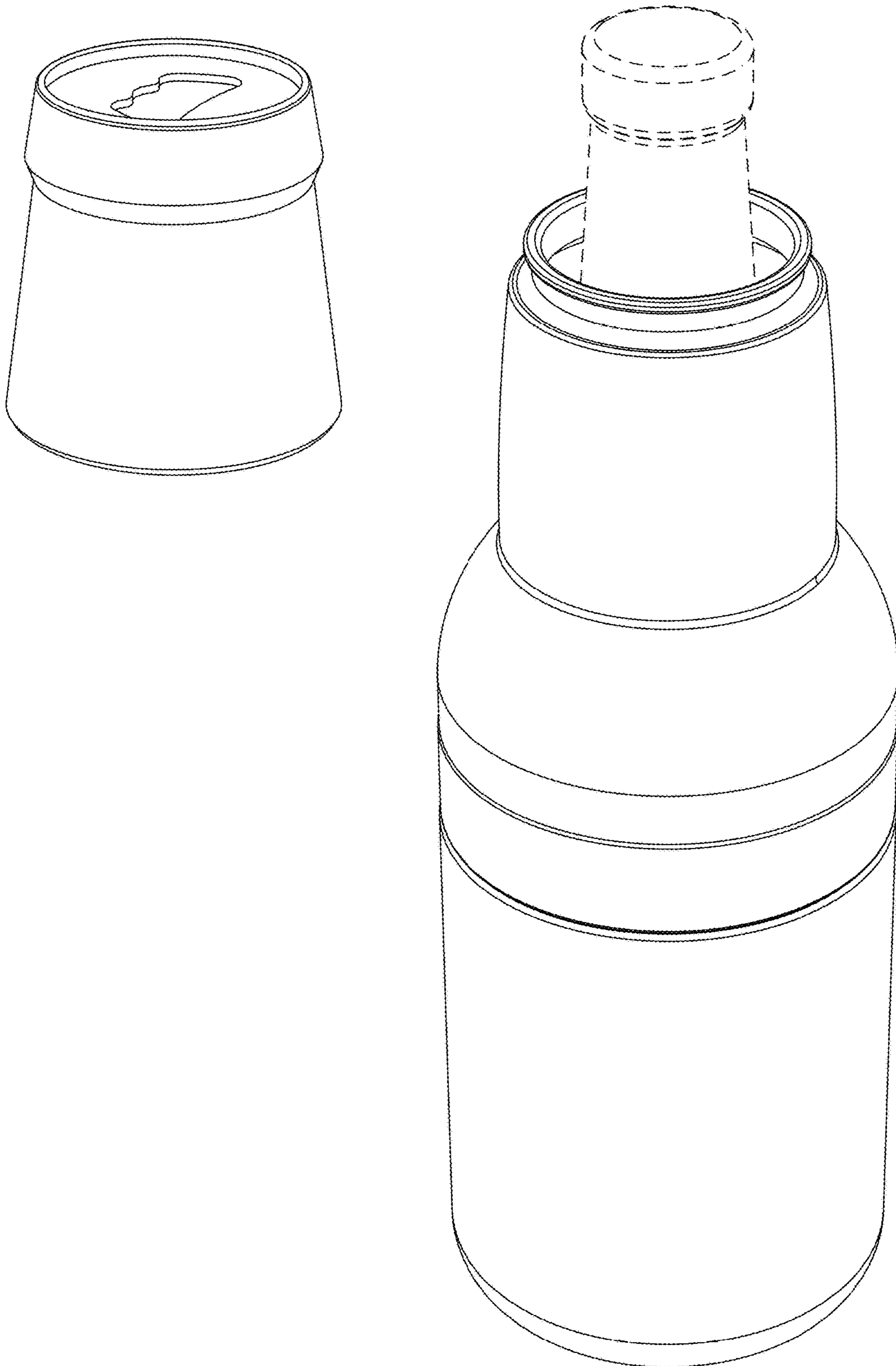


fig.9



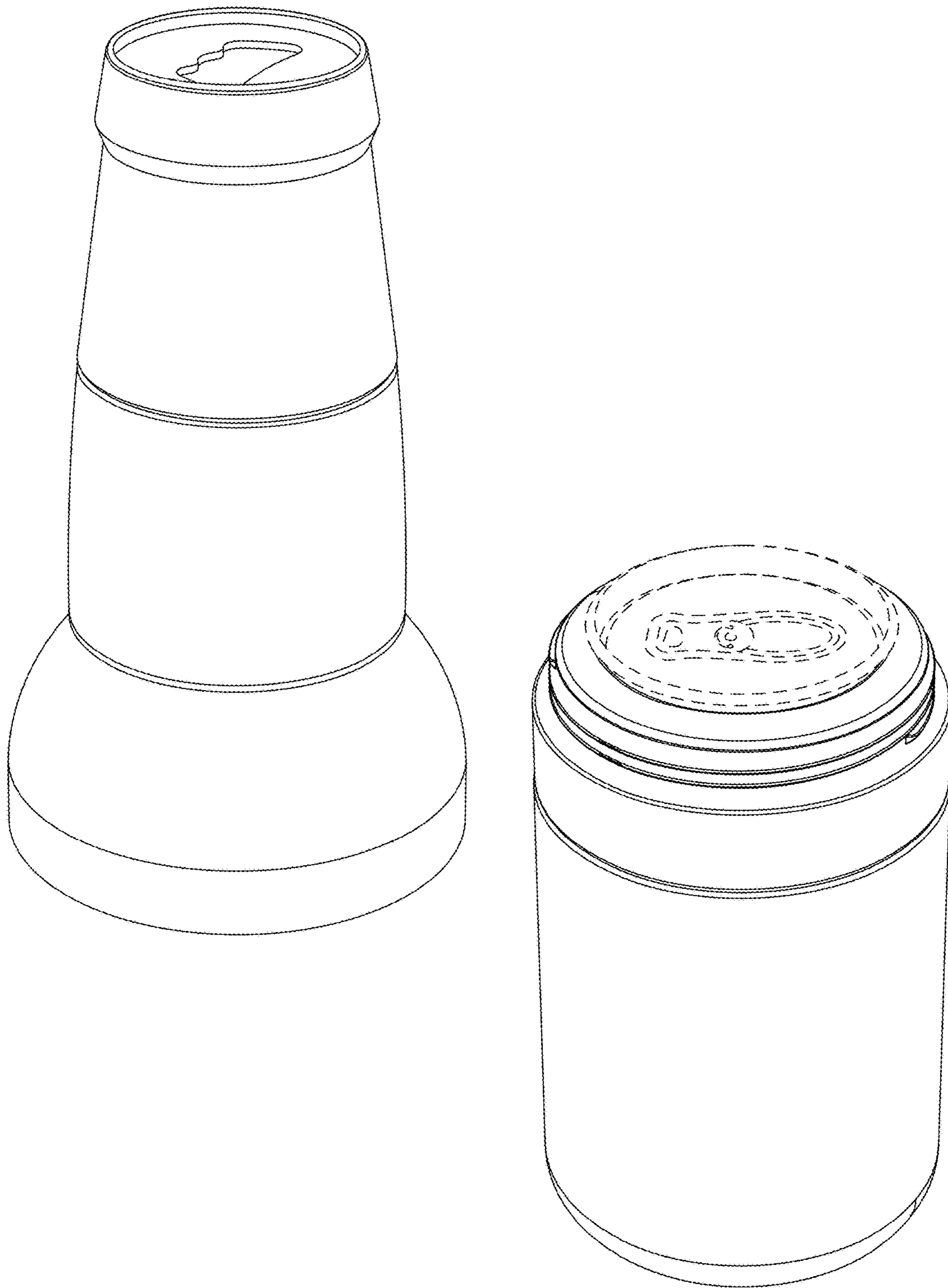


fig.10