



US00D812985S

(12) **United States Design Patent**  
**Seiders et al.**

(10) **Patent No.:** **US D812,985 S**

(45) **Date of Patent:** **\*\* Mar. 20, 2018**

- (54) **HANDLE**
- (71) Applicant: **YETI Coolers, LLC**, Austin, TX (US)
- (72) Inventors: **Roy Joseph Seiders**, Rollingwood, TX (US); **Steve Charles Nichols**, Austin, TX (US); **Chris Nickolas Kaschner**, Austin, TX (US)
- (73) Assignee: **YETI Coolers, LLC**, Austin, TX (US)

2,378,867 A \* 6/1945 Reichart ..... A47J 45/077  
220/758

D157,491 S 2/1950 Heintze  
2,643,021 A 6/1953 Freedman

(Continued)

**FOREIGN PATENT DOCUMENTS**

CH 561528 A5 5/1975  
EP 0717949 B1 4/2002

(Continued)

**OTHER PUBLICATIONS**

“Red Removable Handle 16-Oz. Travel Tumbler.” Accessed Aug. 31, 2016. Available online at URL: <<http://www.zulily.com/p/red-removable-handle-16-oz-travel-tumbler-120715-7353259.html>>.

(Continued)

*Primary Examiner* — Terry Wallace

(74) *Attorney, Agent, or Firm* — Banner & Witcoff, Ltd.

(57)

**CLAIM**

The ornamental design for a handle, as shown and described.

**DESCRIPTION**

FIG. 1 is a top, front, right perspective view of a handle showing our new design;  
FIG. 2 is a front view thereof;  
FIG. 3 is a rear view thereof;  
FIG. 4 is a right side view thereof;  
FIG. 5 is a left side view thereof;  
FIG. 6 is a top view thereof; and,  
FIG. 7 is a bottom view thereof.

The uneven-length broken lines immediately adjacent to the shaded area represent unclaimed boundaries of the claimed design. The even-length broken lines showing the remainder of the handle are for environmental purposes only and form no part of the claimed design.

**1 Claim, 4 Drawing Sheets**

(\*\*) Term: **15 Years**

(21) Appl. No.: **29/563,733**

(22) Filed: **May 6, 2016**

(51) **LOC (11) Cl.** ..... **07-06**

(52) **U.S. Cl.**

USPC ..... **D7/622**

(58) **Field of Classification Search**

USPC ..... D7/619.1–625, 605–608, 707–708, 533,  
D7/536, 393, 396.2

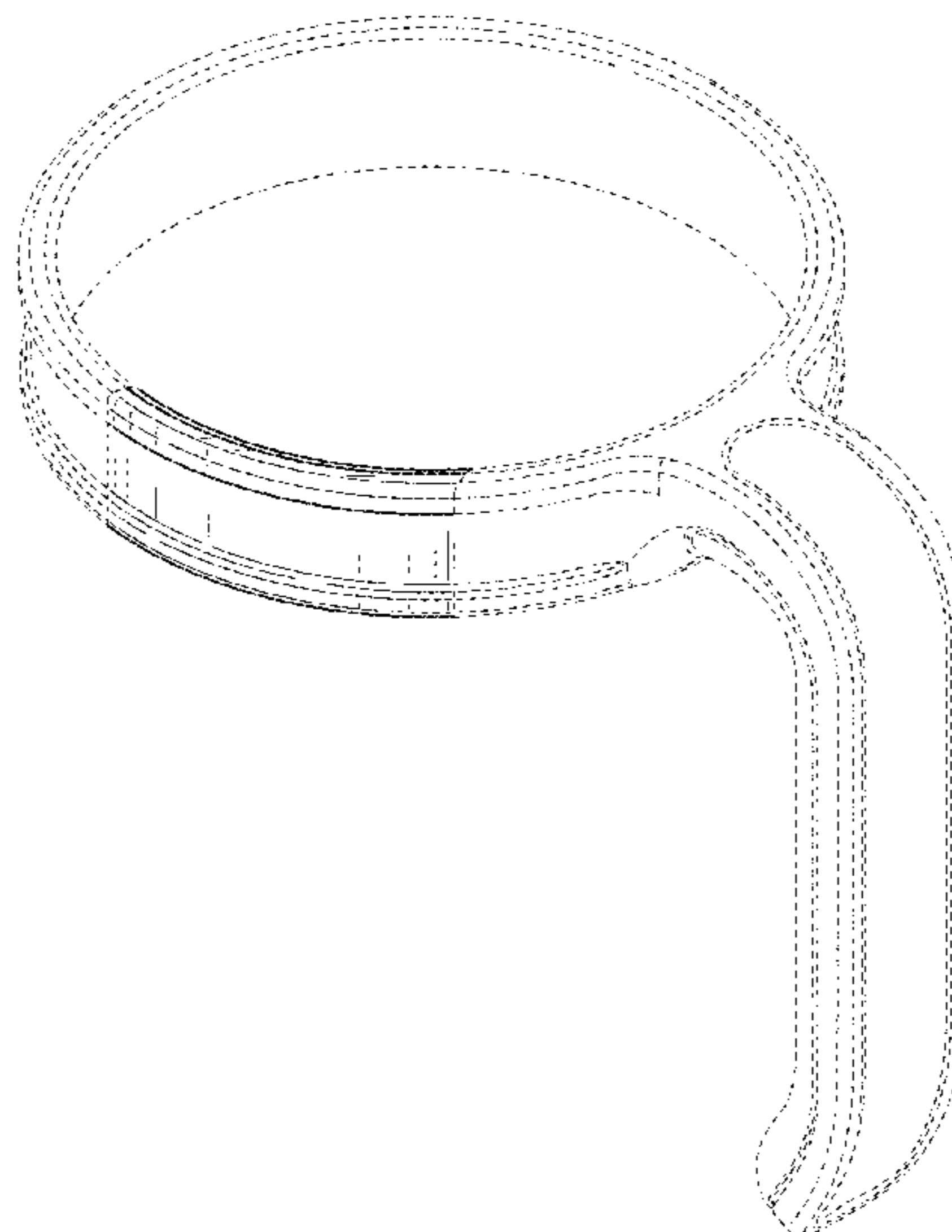
CPC ..... A47G 23/0266; A47G 23/0233; A47G  
23/0241; A47G 23/0216; A47G 23/02;  
A47G 19/2205; B65D 25/2829; B65D  
25/2817; B65D 2313/02; A45F 5/10;  
A47J 45/10; A47J 45/077

See application file for complete search history.

(56) **References Cited**

**U.S. PATENT DOCUMENTS**

D2,440 S	9/1866	Matthews, Jr.
604,514 A	5/1898	Belden
899,290 A	9/1908	Bricker et al.
1,133,420 A	3/1915	Young
D47,798 S	9/1915	Pick
2,029,429 A	2/1936	Koons
D100,871 S	8/1936	Marcus
2,070,414 A	2/1937	Snell
2,088,387 A	7/1937	Rice, Jr. et al.
2,128,466 A	8/1938	Machotka
2,215,402 A	9/1940	McDonald



(56)

References Cited

U.S. PATENT DOCUMENTS

D177,559 S	5/1956	Emmert		D429,607 S	8/2000	Prim	
2,871,051 A	1/1959	Nesslein et al.		6,102,458 A	8/2000	Scace	
D186,555 S	11/1959	Hunt		D432,865 S	10/2000	Cohen	
2,928,570 A	3/1960	Fitch		6,135,312 A	10/2000	Chen et al.	
2,981,562 A	4/1961	Long		D433,876 S	11/2000	Freed	
3,107,029 A *	10/1963	Rylander .....	A47G 23/0266	D434,275 S	11/2000	Ginuntoli et al.	
			215/396	6,149,028 A	11/2000	Yu	
3,202,309 A	8/1965	Simpson		D436,295 S	1/2001	Furman et al.	
3,261,633 A	7/1966	Sakuta		D437,187 S *	2/2001	Cheng .....	D7/622
3,342,370 A	9/1967	Johnson		D439,473 S	3/2001	Lin	
D209,308 S	11/1967	Schilling		6,216,909 B1	4/2001	Lin	
D209,533 S	12/1967	Cole		6,237,801 B1	5/2001	Liu	
D211,818 S	7/1968	Massey		6,241,415 B1	6/2001	Stark	
3,458,164 A	7/1969	Massey		6,260,732 B1	7/2001	Khodush	
D217,781 S	6/1970	Stone		D446,687 S	8/2001	Furman et al.	
3,679,253 A	7/1972	Simms		6,332,557 B1	12/2001	Moran	
3,682,352 A	8/1972	Doucette		6,352,235 B2	3/2002	Cizek	
D225,792 S	1/1973	Fritsche		6,360,913 B1	3/2002	Bruinsma et al.	
D229,006 S	11/1973	Sauey		D455,613 S	4/2002	Bruinsma et al.	
3,979,011 A	9/1976	Schleicher		D456,578 S	4/2002	Smith et al.	
4,120,073 A	10/1978	Studebaker		D457,389 S	5/2002	Snell	
4,127,915 A	12/1978	Logan et al.		D458,081 S	6/2002	Bodum	
D251,175 S	2/1979	Logan et al.		RE37,773 E	7/2002	Trombley	
D254,417 S	3/1980	DeMars et al.		D460,895 S	7/2002	Lin	
D256,418 S	8/1980	Corbett		D462,879 S	9/2002	Martens	
D258,795 S	4/1981	Zamorski		6,450,363 B1	9/2002	Lin	
D265,159 S	6/1982	La Barbera		D463,715 S	10/2002	Dretzka	
D265,279 S	7/1982	Wright		D465,132 S	11/2002	Janky et al.	
D265,880 S	8/1982	Craig		D466,371 S	12/2002	Parker	
D268,319 S	3/1983	Donoski et al.		D471,763 S	3/2003	Hurlbut et al.	
D269,147 S	5/1983	Trombly		D472,101 S	3/2003	Janky	
4,560,075 A	12/1985	Lu		6,557,751 B2	5/2003	Puerini	
D285,032 S	8/1986	Alonzo		D476,193 S	6/2003	Janky	
D287,451 S	12/1986	Schrock		D477,185 S	7/2003	Janky	
4,654,274 A	3/1987	DeMars		6,588,064 B2	7/2003	Baum	
D289,484 S	4/1987	Forquer et al.		D479,090 S	9/2003	Backes et al.	
D298,200 S	10/1988	Block et al.		D480,904 S	10/2003	Backes et al.	
4,848,625 A	7/1989	Lucia		D480,918 S	10/2003	Belton et al.	
D302,634 S	8/1989	Segal		D483,165 S	12/2003	Dretzka	
4,993,675 A	2/1991	Walker		D483,995 S	12/2003	Otake	
4,997,124 A	3/1991	Kitabatake et al.		D484,361 S	12/2003	Jeung	
5,029,720 A	7/1991	Bridges		6,658,701 B1	12/2003	DeHart et al.	
5,168,793 A	12/1992	Padamsee		D488,673 S	4/2004	Farce	
D337,029 S	7/1993	McKechnie		D489,577 S *	5/2004	Giampavolo .....	D7/620
D357,387 S	4/1995	Davidson et al.		D490,274 S	5/2004	Irvine	
5,427,269 A	6/1995	Willbrandt		6,729,665 B1	5/2004	Posey et al.	
5,433,337 A	7/1995	Willbrandt		D493,068 S	7/2004	Slater et al.	
D362,369 S	9/1995	Bridges		6,852,954 B1	2/2005	Liu et al.	
D363,414 S	10/1995	Goto et al.		6,864,462 B2	3/2005	Sanoner et al.	
D363,641 S	10/1995	Goto et al.		6,962,265 B1	11/2005	Zhang	
D370,384 S *	6/1996	Shamis .....	D7/393	D512,272 S	12/2005	Avrish	
D372,839 S	8/1996	Laib		D512,275 S	12/2005	Kent-Fawkes	
5,593,053 A	1/1997	Kaufman et al.		6,979,031 B2	12/2005	Coppotelli et al.	
D379,738 S	6/1997	Liming et al.		D523,693 S	6/2006	Bodum	
D382,174 S	8/1997	Grimm		D524,607 S	7/2006	Kent-Fawkes	
5,655,805 A *	8/1997	Shaddy .....	A47G 23/0216	D529,763 S	10/2006	Zerillo et al.	
			220/738	D531,454 S	11/2006	Zerillo et al.	
D384,557 S	10/1997	Goza		D533,748 S	12/2006	Bresler	
5,678,725 A	10/1997	Yamada et al.		D534,038 S	12/2006	Kramer et al.	
D386,948 S	12/1997	Wissinger		D534,396 S	1/2007	Kramer	
D395,238 S	6/1998	Freitas		D536,930 S	2/2007	Li	
D395,825 S	7/1998	Freitas		D537,676 S	3/2007	Kingsley	
D396,381 S	7/1998	Chung		D537,677 S	3/2007	Bresler	
5,788,298 A	8/1998	Cheng		7,195,137 B2	3/2007	Belcastro	
D398,187 S	9/1998	Parker		D539,609 S	4/2007	Ying et al.	
5,799,369 A	9/1998	Schulein		7,207,538 B2	4/2007	Kent-Fawkes	
5,816,631 A	10/1998	Kochan		D548,012 S	8/2007	Tien	
5,848,722 A	12/1998	Hanes		D548,599 S	8/2007	Blasko	
5,868,310 A	2/1999	Leszczynski		D553,440 S	10/2007	Bodum	
D412,806 S	8/1999	Pierce		7,284,777 B1	10/2007	Kraemer	
D416,757 S	11/1999	Ginuntoli		D557,567 S	12/2007	Gronikowski et al.	
D417,589 S	12/1999	Parker		D560,512 S	1/2008	Safar	
D417,819 S	12/1999	Kelly-Pollet		D561,590 S	2/2008	Kingsley	
D418,013 S	12/1999	Fujii		D562,072 S	2/2008	Wahl	
D427,853 S	7/2000	Kohlhase		D565,901 S	4/2008	Edelstein et al.	
				D566,471 S	4/2008	Bodum	
				D568,107 S	5/2008	Bhavnani	
				D568,685 S	5/2008	Bodum	
				D569,183 S	5/2008	Blake	

(56)

References Cited

U.S. PATENT DOCUMENTS

D577,260 S 9/2008 Bodum  
 D587,523 S 3/2009 Moon  
 D587,967 S 3/2009 Wahl  
 D588,912 S 3/2009 Christensen et al.  
 D592,015 S 5/2009 Carpenter  
 D592,058 S 5/2009 Rapaport  
 7,527,310 B2 5/2009 Shaskey, Sr.  
 D593,859 S 6/2009 Barnum  
 D595,133 S 6/2009 Lewis  
 D598,747 S 8/2009 Caldwell  
 D600,073 S 9/2009 Carreno  
 7,581,704 B1 9/2009 Pugsley  
 7,581,770 B2 9/2009 Jones  
 7,604,270 B1 10/2009 McCarthy  
 D604,103 S 11/2009 Alviar et al.  
 D609,534 S 2/2010 Traficante et al.  
 7,686,183 B2 3/2010 Ziegler  
 D613,554 S 4/2010 Koennecke  
 D615,366 S 5/2010 Berezansky  
 D617,640 S 6/2010 Jones  
 D618,964 S 7/2010 Eisenhardt  
 D619,419 S 7/2010 McClellan et al.  
 D622,548 S 8/2010 Jensen et al.  
 D631,699 S 2/2011 Moreau  
 D636,640 S 4/2011 Latham  
 D638,651 S 5/2011 Butler  
 D643,289 S 8/2011 Harlan  
 D646,524 S 10/2011 Kortleven  
 D648,599 S 11/2011 Watanabe et al.  
 D650,232 S 12/2011 Gilbert  
 D652,256 S 1/2012 Eyal  
 D656,361 S 3/2012 Gilbert  
 D658,922 S 5/2012 Fallon et al.  
 D659,474 S 5/2012 Wahl et al.  
 D660,082 S 5/2012 Wahl  
 D664,001 S 7/2012 Liu  
 D667,268 S 9/2012 Pallotto  
 D669,735 S 10/2012 Wong  
 D670,525 S 11/2012 Fallon et al.  
 D675,063 S 1/2013 Wahl  
 8,364,542 B2 1/2013 Grauel et al.  
 D682,002 S 5/2013 Munson  
 8,499,951 B1 8/2013 McDonald et al.  
 D691,409 S 10/2013 Dichraff et al.  
 D693,176 S 11/2013 Kaiser  
 D693,649 S \* 11/2013 Yeung ..... D7/622  
 8,608,019 B2 12/2013 Wren  
 D698,200 S 1/2014 Lauwagie  
 8,684,430 B1 4/2014 Brandon  
 D705,012 S 5/2014 Lapsker  
 8,727,176 B2 5/2014 El-Saden et al.  
 D709,328 S 7/2014 Ross  
 D709,737 S 7/2014 Weinert et al.  
 D709,738 S 7/2014 Weinert et al.  
 D712,701 S 9/2014 Boroski  
 D713,206 S 9/2014 Lane et al.  
 D713,686 S 9/2014 Eyal  
 D717,605 S 11/2014 Kristinik  
 D717,606 S 11/2014 Kristinik  
 D719,408 S 12/2014 Weber  
 D720,183 S 12/2014 Chiang  
 8,899,644 B2 12/2014 Hancey  
 8,919,603 B2 12/2014 Greene  
 D725,965 S 4/2015 Bo  
 D728,311 S 5/2015 Eyal  
 D728,312 S 5/2015 Bo  
 D728,313 S 5/2015 Bo  
 D729,009 S 5/2015 Merten  
 D729,581 S 5/2015 Boroski  
 D730,121 S 5/2015 Bo  
 9,021,662 B1 5/2015 Jones  
 9,038,850 B1 5/2015 Wilson  
 D731,251 S 6/2015 Lane  
 D732,338 S 6/2015 Boroski  
 D732,343 S 6/2015 Romley

D732,895 S 6/2015 McClellan  
 D734,096 S 7/2015 George et al.  
 D740,073 S 10/2015 Zorovich et al.  
 D740,077 S 10/2015 Strepkoff  
 D740,618 S 10/2015 Knoll  
 D743,209 S 11/2015 Maas et al.  
 D744,286 S 12/2015 Morris, II et al.  
 D750,426 S 3/2016 Bann et al.  
 D753,948 S 4/2016 Kestenbaum  
 D754,543 S 4/2016 Donadee et al.  
 D764,870 S 8/2016 Choi  
 D766,035 S 9/2016 Cox  
 D783,334 S 4/2017 Kotani  
 D787,251 S 5/2017 Kestenbaum  
 D787,260 S 5/2017 Krooshof  
 2002/0066758 A1 \* 6/2002 Fadal, II ..... A45F 3/16  
 224/148.7  
 2004/0040962 A1 3/2004 Bielecki et al.  
 2004/0187265 A1 9/2004 Ho  
 2005/0045643 A1 3/2005 Ghanem  
 2005/0218109 A1 10/2005 Semersky et al.  
 2006/0175506 A1 8/2006 Lan  
 2007/0295738 A1 \* 12/2007 Hussain ..... B65D 1/265  
 220/737  
 2008/0012368 A1 1/2008 Kent-Fawkes  
 2008/0023434 A1 1/2008 Takayama  
 2008/0101056 A1 5/2008 Bhavnani  
 2009/0008399 A1 1/2009 Mayled et al.  
 2009/0065469 A1 3/2009 McClellan et al.  
 2010/0206874 A1 8/2010 Masurier et al.  
 2010/0288782 A1 11/2010 Lin  
 2011/0204017 A1 8/2011 O'Sullivan  
 2012/0074155 A1 \* 3/2012 Yeung ..... A47G 23/0216  
 220/737  
 2012/0261408 A1 10/2012 White  
 2013/0098932 A1 4/2013 Hunt  
 2013/0186849 A1 7/2013 Iwashita  
 2014/0186507 A1 7/2014 Wales  
 2015/0041480 A1 \* 2/2015 Ramsey ..... A47G 23/0266  
 220/758  
 2015/0102032 A1 4/2015 Dunn et al.  
 2015/0108150 A1 4/2015 Garcia  
 2015/0108152 A1 4/2015 Franzen et al.  
 2015/0164256 A1 \* 6/2015 Helton ..... A47G 23/0216  
 220/738  
 2015/0232232 A1 8/2015 Shibuki et al.  
 2015/0291316 A1 10/2015 Fietz

FOREIGN PATENT DOCUMENTS

GB 2129117 A 5/1984  
 GB 2354579 A 3/2001  
 JP H11221667 A 8/1999  
 JP 2011219126 A 11/2011  
 KR 300779301 1/2015  
 WO 0162614 A1 8/2001  
 WO 2006048119 A1 5/2006  
 WO 2011022857 A2 3/2011  
 WO 2012064184 A1 5/2012  
 WO 2013163725 A1 11/2013

OTHER PUBLICATIONS

“Removable Bicycle Cup Holder by Bookman.” Published Mar. 23, 2014. Accessed Aug. 31, 2016. Available online at URL: <<http://coolmensgear.com/removable-bicycle-cup-holder/>>.  
 “Meyers California Rainbow Mug with Removable Wood/Metal Handle.” Accessed Aug. 31, 2016. Available online at URL: <<https://www.pinterest.com/pin/148618856430252325/>>.  
 “Tervis Tumbler Black 24oz. Handle.” Amazon.com. Accessed Aug. 31, 2016. Available online at URL: <<https://www.amazon.com/Tervis-Tumbler-Black-24oz-Handle/dp/B004VVHORG>>.  
 “Spare Parts for Those Mugs or Tumblers with No Handles.” Accessed Aug. 31, 2016. Available online at URL: <[https://www.etsy.com/listing/255089724/parts-parts-parts-mug-or-tumbler-metal?ga\\_order=most\\_relevant&ga\\_search\\_type=all&ga\\_view\\_type=gallery&ga\\_search\\_query=metal+handled+mugs&ref=sr\\_gallery\\_8](https://www.etsy.com/listing/255089724/parts-parts-parts-mug-or-tumbler-metal?ga_order=most_relevant&ga_search_type=all&ga_view_type=gallery&ga_search_query=metal+handled+mugs&ref=sr_gallery_8)>.

(56)

## References Cited

## OTHER PUBLICATIONS

“New 16oz Insulated Coffee Travel Mug Stainless Steel Double Wall Thermos Tumbler”, retrieved from <<http://www.ebay.com/itm/New-16oz-Insulated-COFFEE-TRAVEL-MUG-Stainless-Steel-Double-Wall-Thermos-Tumbler-/171416296921>> on Aug. 27, 2015.

“Osulloc Green Cup,” retrieved from [http://www.edaymall.com/display/goods.do?media\\_code=E06&goods\\_code=10183708](http://www.edaymall.com/display/goods.do?media_code=E06&goods_code=10183708) on Sep. 6, 2016.

“Stainless Steel Travel Mug with Slide Action Lid and Plastic Inner Liner—16oz.”, retrieved from <<http://waterbottles.com/stainless-steel-travel-mug-with-slide-action-lid-and-plastic-inner-liner-16-oz/>> on Aug. 27, 2015.

“YETI Rambler 20 and 30 oz”, published on Apr. 19, 2014, retrieved from <https://web.archive.org/web/20140419041951/http://yeticoolers.com/rambler-tumblers/> on Sep. 2, 2015.

Dec. 14, 2016 (PCT) International Search Report and Written Opinion—App PCT/US2016/055491.

Oct. 18, 2016—(JP) Office Action—App 2016-004374—English trans.

May 10, 2017—U.S. Office Action—U.S. Appl. No. 15/183,427.

May 24, 2017—(WO) International Search Report and Written Opinion—App. No. PCT/US2017/022315—16 pages.

Eshine Industrial & Maoyuan International, “400ml Double Wall Stainless Steel Travel Mug with Sliding Drink Lid”, retrieved from <<http://www.chinawaterbottle.com/product/400ml-double-wall-stainless-steel-travel-mug-with-sliding-drink-lid-77-520.html>> on Aug. 27, 2015.

Gold Bond Inc., “16CT—16 oz Cafe Tumbler”, retrieved from <<http://www.goldbondinc.com/16ct>> on Aug. 27, 2015.

Hit Promotional Products, “24 Oz. Biggie Tumbler with Lid”, retrieved from <<http://www.hitpromo.net/product/show/5853/24-oz-biggie-tumbler-with-lid>> on Aug. 27, 2015.

Photo USA Electronic Graphic Inc., “17fl oz Personalised Travel Mug (Plastic Insert and Metal Shell, Reverse Screw)”, retrieved from <<http://www.meikeda.com/stainless-steel-mug/item/15-oz-personalised-travel-mug.html>> on Aug. 27, 2015.

Photographic image of YETI 20oz Rambler Tumbler, published date unknown, but prior to the filing date of the present application.

Photographic image of YETI 30oz Rambler Tumbler, published date unknown, but prior to the filing date of the present application.

Pictures of Great American Products Tumbler, published date unknown, but prior to the filing date of the present application.

Promo Industrial Co., Limited, “16 Oz. Blue Bullet Travel Mug W/ Handle”, retrieved from <[http://www.oempromo.com/Bottle-cup-and-mug/Mugs/index\\_73.htm](http://www.oempromo.com/Bottle-cup-and-mug/Mugs/index_73.htm)> on Aug. 27, 2015.

Promotional Items, Inc., “Stainless Steel 14oz. Deluxe Coffee Insulated Tumbler Lid”, retrieved from <[http://www.promotional-items-inc.com/catalog/stainless\\_steel\\_18oz\\_commuter\\_coffee\\_mug\\_lid.html](http://www.promotional-items-inc.com/catalog/stainless_steel_18oz_commuter_coffee_mug_lid.html)> on Aug. 27, 2015.

Second photographic image of YETI 30oz Rambler Tumbler, published date unknown, but prior to the filing date of the present application

The Alexon Group, “16 Oz. Stainless Steel Travel Mug with Slide Action Lid and Plastic Inner Liner”, retrieved from <<https://alexongroup.com/16-oz-stainless-steel-travel-mug-with-slide-action-lid-and-plastic-inner-liner>> on Aug. 27, 2015.

The Product Farm, “BeerNStein Rocks Tumbler Lid—Blue”, retrieved from <<http://store.theproductfarm.com/beerstein-rocks-tumbler-lid-blue/>> on Aug. 27, 2015.

Timolino, “Signature Thermal Travel Mug Slide-Tab Lid”, retrieved from <<http://timolino.com/products/signature-thermal-travel-mug-slide-tab-lid>> on Aug. 27, 2015.

United States District Court for the Southern District of Texas Houston Division, “RTIC Drinkware’s Original Complaint for Declaratory Judgment, Damages, and Injunctive Relief,” *RTIC Drinkware, LLC v. YETI Coolers, LLC*, Case: 4:16-cv-01201, Document #1, filed May 2, 2016, 58 pages.

United States District Court Western District of Texas Austin Division, “[Proposed] Order Granting Stipulated Motion to Dismiss Defendant Polar Pad, LLC, Without Prejudice, Pursuant to Fed. R. Civ. P. 21,” *YETI Coolers, LLC v. Polar Pad LLC, d/b/a Polar Pad Drifter, d/b/a Polar Pad, and Veterinary Internet Company, LLC, d/b/a VetInternetCo*, Case: 1:16-cv-00677-RP, Document #14, Sep. 15, 2016, 1 page.

United States District Court Western District of Texas Austin Division, “Answer,” *YETI Coolers, LLC v. Tree Leaf Marketing, LLC d/b/a Big Frig*, Case: 1:16-cv-00699-RP, Document #11, Oct. 21, 2016, 8 pages.

United States District Court Western District of Texas Austin Division, “Complaint” *YETI Coolers, LLC v. Zhejiang Zhuosheng Industry & Trade Co, Ltd., d/b/a Wuyi Zhuosheng Household Metal Products Co., Ltd., d/b/a Yongkang Zhuosheng Metal Products Co., Ltd., d/b/a Zhejiang Zhuosheng Industry & Trade Co, Ltd.*, Case 1:17-cv-00821, Document 1, filed Aug. 23, 2017, 27 pages.

United States District Court Western District of Texas Austin Division, “Complaint,” *YETI Coolers, LLC v. Bayou Ice Boxes, Inc.*, Case: 1:17-cv-00261, Document #1, filed Mar. 24, 2017, 41 pages.

United States District Court Western District of Texas Austin Division, “Complaint,” *YETI Coolers, LLC v. Benner China and Glassware Florida, Inc.*, Case: 1:16-cv-00142-RP, Document #1, filed Feb. 16, 2016, 21 pages.

United States District Court Western District of Texas Austin Division, “Complaint,” *YETI Coolers, LLC v. Blackbird Products Group, LLC, d/b/a Mammoth Coolers*, Case: 1:15-cv-01105, Document #1, filed Dec. 7, 2015, 266 pages.

United States District Court Western District of Texas Austin Division, “Complaint,” *YETI Coolers, LLC v. Gametime Sidekicks, LLC*, Case 1:17-cv-00413, Document 1, filed May 5, 2017, 107 pages.

United States District Court Western District of Texas Austin Division, “Complaint,” *YETI Coolers, LLC v. Glacier Coolers, LLC, and Tecomate Holdings, LLC*, Case 1:17-cv-00586, Document 1, filed Jun. 15, 2017, 161 pages.

United States District Court Western District of Texas Austin Division, “Complaint,” *YETI Coolers, LLC v. Godinger Silver Art, Ltd., Cathy’s Concepts, Inc., Viatek Consumer Products Group, Inc.*, Case: 1:17-cv-00467, Document #1, filed May 16, 2017, 22 pages.

United States District Court Western District of Texas Austin Division, “Complaint,” *YETI Coolers, LLC v. Gourmet Home Products, LLC*, Case: 1:17-cv-00533, Document #1, filed Jun. 2, 2017, 25 pages.

United States District Court Western District of Texas Austin Division, “Complaint,” *YETI Coolers, LLC v. Great American Products, Ltd.*, Case: 1:15-cv-00686, Document #1, filed Aug. 6, 2015, 20 pages.

United States District Court Western District of Texas Austin Division, “Complaint,” *YETI Coolers, LLC v. Home Depot U.S.A., Inc., Takeya USA Corporation*, Case: 1:17-cv-00342, Document #1, filed Apr. 12, 2017, 24 pages.

United States District Court Western District of Texas Austin Division, “Complaint,” *YETI Coolers, LLC v. Ideastage Promotions, LLC, d/b/a Swag Brokers*, Case: 1:15-cv-00774, Document #1, filed Sep. 2, 2015, 22 pages.

United States District Court Western District of Texas Austin Division, “Complaint,” *YETI Coolers, LLC v. Imagen Brands, LLC, d/b/a Crown Products, and Ebsco Industries, Inc.*, Case: 1:16-cv-00578-RP, Document #1, filed May 16, 2016, 20 pages.

United States District Court Western District of Texas Austin Division, “Complaint,” *YETI Coolers, LLC v. JDS Industries, Inc., Lionel Laundry Jr., d/b/a Accolades Awards & Engraving, Creating and Fast LLC d/b/a Promotional Products San Antonio, Kelly Scoggins d/b/a King Engraving, Jamey Z. Apps d/b/a Roberts Trophies, and Eagle Media, Inc.*, Case 1:17-cv-00424, Document 1, filed May 5, 2017, 62 pages.

United States District Court Western District of Texas Austin Division, “Complaint,” *YETI Coolers, LLC v. Jennifer Laverne Bootz Evans d/b/a Bling and Burlap Buy In’s and Blanks*, Case: 1:15-cv-00995, Document #1, filed Nov. 2, 2015, 128 pages.

(56)

**References Cited**

## OTHER PUBLICATIONS

United States District Court Western District of Texas Austin Division, "Complaint," *YETI Coolers, LLC v. Kaiser Group Inc., d/b/a Thermo Steel, d/b/a Vino2GO, d/b/a Brew2Go*, Case: 1:15-cv-00725, Document #1, filed Aug. 19, 2015, 21 pages.

United States District Court Western District of Texas Austin Division, "Complaint," *YETI Coolers, LLC v. Kodiak Coolers, LLC and Flexible Automation LLC*, Case 1:17-cv-00422, Document 1, filed May 5, 2017, 51 pages.

United States District Court Western District of Texas Austin Division, "Complaint," *YETI Coolers, LLC v. Kuer Outdoors, LLC*, Case: 1:16-cv-00631, Document #1, filed May 27, 2016, 89 pages.

United States District Court Western District of Texas Austin Division, "Complaint," *YETI Coolers, LLC v. Magnum Solace LLC*, Case: 1:16-cv-00663-RP, Document #1, filed Jun. 7, 2016, 24 pages.

United States District Court Western District of Texas Austin Division, "Complaint," *YETI Coolers, LLC v. MyCrew, LLC, MyCrew Drinkware, LLC and NNRiverLife, LLC*, Case: 1:16-cv-01008, Document #1, filed Aug. 26, 2016, 29 pages.

United States District Court Western District of Texas Austin Division, "Complaint," *YETI Coolers, LLC v. Polar Pad LLC, d/b/a Polar Pad Drifter, d/b/a Polar Pad, and Veterinary Internet Company, LLC, d/b/a VetInternetCo*, Case: 1:16-cv-00128, Document #1, Feb. 12, 2016, 24 pages.

United States District Court Western District of Texas Austin Division, "Complaint," *YETI Coolers, LLC v. Polar Pad LLC, d/b/a Polar Pad Drifter, d/b/a Polar Pad, and Veterinary Internet Company, LLC, d/b/a VetInternetCo*, Case: 1:16-cv-00677, Document #1, Jun. 10, 2016, 25 pages.

United States District Court Western District of Texas Austin Division, "Complaint," *YETI Coolers, LLC v. RTIC Coolers, LLC*, Case: 1:16-cv-00264, Document #1, filed Mar. 2, 2016, 34 pages.

United States District Court Western District of Texas Austin Division, "Complaint," *YETI Coolers, LLC v. Sam's West, Inc., and Sam's East, Inc.*, Case: 1:16-cv-00829, Document #1, Jun. 30, 2016, 21 pages.

United States District Court Western District of Texas Austin Division, "Complaint," *YETI Coolers, LLC v. Sic Products LLC, d/b/a Sic Cups, d/b/a Sic*, Case: 1:16-cv-00117-RP, Document #1, Feb. 4, 2016, 23 pages.

United States District Court Western District of Texas Austin Division, "Complaint," *YETI Coolers, LLC v. The Allen Company, d/b/a Allen Color Craft*, Case: 1:15-cv-00888-RP, Document #1, Oct. 6, 2015, 24 pages.

United States District Court Western District of Texas Austin Division, "Complaint," *YETI Coolers, LLC v. The Boelter Companies, Inc., Boelter Brands, LLC and Boelter Beverage, LLC*, Case: 1:16-cv-00456, Document #1, filed Apr. 8, 2016, 20 pages.

United States District Court Western District of Texas Austin Division, "Complaint," *YETI Coolers, LLC v. Titan Custom Products, Inc.*, Case: 1:15-cv-00775, Document #1, Sep. 2, 2015, 22 pages.

United States District Court Western District of Texas Austin Division, "Complaint," *YETI Coolers, LLC v. Tree Leaf Marketing, LLC d/b/a Big Frig*, Case: 1:16-cv-00699, Document #1, Jun. 17, 2016, 33 pages.

United States District Court Western District of Texas Austin Division, "Complaint," *YETI Coolers, LLC v. US Imprints, LLC, d/b/a GOimprints*, Case: 1:15-cv-00773, Document #1, Sep. 2, 2015, 22 pages.

United States District Court Western District of Texas Austin Division, "Complaint," *YETI Coolers, LLC v. Vickery Products, LLC d/b/a Axis Cups, f/d/b/a Frio Cups*, Case: 1:17-cv-00260, Document #1, filed Mar. 24, 2017, 52 pages.

United States District Court Western District of Texas Austin Division, "Complaint," *YETI Coolers, LLC v. Vickery Products, LLC d/b/a Axis Cups, f/d/b/a Frio Cups*, Case: 1:17-cv-00260, Document #1, Mar. 24, 2017, 52 pages.

United States District Court Western District of Texas Austin Division, "Complaint," *YETI Coolers, LLC v. Wadley Holdings, LLC d/b/a Meadowcraft, and Southern Sales & Marketing Group, Inc. d/b/a/ nICE*, Case 1:17-cv-00421, Document 1, filed May 5, 2017, 121 pages.

United States District Court Western District of Texas Austin Division, "Complaint," *YETI Coolers, LLC v. Wal-Mart Stores, Inc.*, Case: 1:16-cv-00454, Document #1, Apr. 8, 2016, 29 pages.

United States District Court Western District of Texas Austin Division, "Consent Judgment," *YETI Coolers, LLC v. The Boelter Companies, Inc., Boelter Brands, LLC and Boelter Beverage, LLC*, Case: 1:16-cv-00456-RP, Document #25, filed Sep. 13, 2016, 3 pages.

United States District Court Western District of Texas Austin Division, "Defendant Blackbird Products Group, LLC's Answer and Affirmative Defenses to Plaintiff YETI Coolers, LLC's Complaint," *YETI Coolers, LLC v. Blackbird Products Group, LLC, d/b/a Mammoth Coolers*, Case: 1:15-cv-01105-SS, Document #13, filed Dec. 28, 2015, 11 pages.

United States District Court Western District of Texas Austin Division, "Defendant Kaiser Group Inc.'s Answer, Affirmative Defenses, and Counterclaims to Plaintiff YETI Coolers, LLC's Complaint," *YETI Coolers, LLC v. Kaiser Group Inc., d/b/a Thermo Steel, d/b/a Vino2Go, d/b/a Brew2GO*, Case: 1:15-cv-00725-RP, Document #14, filed Oct. 13, 2015, 65 pages.

United States District Court Western District of Texas Austin Division, "Defendant RTIC Drinkware, LLC, RTIC Web Services, LLC, Corporate Support & Fulfillment, LLC, John Jacobsen, and James Jacobsen's Answer and Counterclaims to YETI's First Amended Complaint for Damages and Injunctive Relief," *YETI Coolers, LLC v. RTIC Coolers, LLC, RTIC Drinkware, LLC, RTIC Web Services, LLC, Corporate Support & Fulfillment, LLC; John Jacobsen; and James Jacobsen*, Case: 1:16-cv-00264-RP, Document #25, filed Jun. 13, 2016, 42 pages.

United States District Court Western District of Texas Austin Division, "Defendant's Answer to Plaintiff's Complaint and Affirmative Defenses," *YETI Coolers, LLC v. MyCrew, LLC, MyCrew Drinkware, LLC and NNRiverLife, LLC*, Case: 1:16-cv-01008-RP, Document #14, filed Nov. 29, 2016, 12 pages.

United States District Court Western District of Texas Austin Division, "Defendant's Answer," *YETI Coolers, LLC v. Magnum Solace LLC*, Case: 1:16-cv-00663-RP, Document #34, filed Apr. 13, 2017, 7 pages.

United States District Court Western District of Texas Austin Division, "Defendant's Rule 12(B)(6) Motion to Dismiss For Failure to State a Claim," *YETI Coolers, LLC v. Magnum Solace LLC*, Case: 1:16-cv-00663-RP, Document #10, filed Aug. 5, 2016, 30 pages.

United States District Court Western District of Texas Austin Division, "Defendants Sam's West, Inc. and Sam's East, Inc.'s Answer to Complaint," *YETI Coolers, LLC v. Sam's West, Inc., and Sam's East, Inc.*, Case: 1:16-cv-00829-RP, Document #16, filed Aug. 26, 2016, 11 pages.

United States District Court Western District of Texas Austin Division, "Defendants' Answer to Complaint," *YETI Coolers, LLC v. The Boelter Companies, Inc., Boelter Brands, LLC and Boelter Beverage, LLC*, Case: 1:16-cv-00456-RP, Document #21, filed Jun. 7, 2016, 9 pages.

United States District Court Western District of Texas Austin Division, "First Amended Complaint," *YETI Coolers, LLC v. Sam's West, Inc., and Sam's East, Inc.*, Case: 1:16-cv-00829-RP, Document #32, filed Jan. 9, 2017, 24 pages.

United States District Court Western District of Texas Austin Division, "First Amended Complaint," *YETI Coolers, LLC v. Sic Products LLC, d/b/a Sic Cups, d/b/a Sic*, Case: 1:16-cv-00117-RP, Document #34, Nov. 21, 2016, 25 pages.

(56)

**References Cited**

## OTHER PUBLICATIONS

United States District Court Western District of Texas Austin Division, "First Amended Complaint," *YETI Coolers, LLC v. Wal-Mart Stores, Inc. and Olympia Tools International, Inc.*, Case: 1:16-cv-00454-RP, Document #17, May 24, 2016, 26 pages.

United States District Court Western District of Texas Austin Division, "Olympia Tools International, Inc.'s Answer to Yeti Coolers, LLC's First Amended Complaint," *YETI Coolers, LLC v. Wal-Mart Stores, Inc. and Olympia Tools International, Inc.*, Case: 1:16-cv-00454-RP, Document #28, Jul. 14, 2016, 12 pages.

United States District Court Western District of Texas Austin Division, "Order," *RTIC Drinkware, LLC v. YETI Coolers, LLC*, Case: 1:16-cv-00907-RP, Document #47, filed Oct. 13, 2016, 3 pages.

United States District Court Western District of Texas Austin Division, "Order," *YETI Coolers, LLC v. Blackbird Products Group, LLC, d/b/a Mammoth Coolers*, Case: 1:15-cv-01105-RP, Document #26, filed Apr. 20, 2016, 1 page.

United States District Court Western District of Texas Austin Division, "Order," *YETI Coolers, LLC v. Great American Products, Ltd.*, Case: 1:15-cv-00686-RP, Document #25, filed Mar. 14, 2016, 1 page.

United States District Court Western District of Texas Austin Division, "Order," *YETI Coolers, LLC v. Ideastage Promotions, LLC, d/b/a Swag Brokers*, Case: 1:15-cv-00774-RP, Document #19, filed Dec. 21, 2015, 1 page.

United States District Court Western District of Texas Austin Division, "Order," *YETI Coolers, LLC v. Jennifer Leverage Bootz Evans d/b/a Bling and Burlap Buy In's and Blanks*, Case: 1:15-cv-00995-RP, Document #18, filed Apr. 18, 2016, 1 page.

United States District Court Western District of Texas Austin Division, "Order," *YETI Coolers, LLC v. Polar Pad LLC, d/b/a Polar Pad Drifter, d/b/a Polar Pad, and Veterinary Internet Company, LLC, d/b/a VetInternetCo*, Case: 1:16-cv-00128-RP, Document #17, Jun. 17, 2016, 1 page.

United States District Court Western District of Texas Austin Division, "Order," *YETI Coolers, LLC v. US Imprints, LLC, d/b/a GOimprints*, Case: 1:15-cv-00773-RP, Document #23, Apr. 25, 2016, 1 page.

United States District Court Western District of Texas Austin Division, "Plaintiff YETI Coolers, LLC's Original Complaint," *YETI Coolers, LLC v. Ontel Products Corporation and World Pack USA, LLC*, Case: 1:17-cv-00091-RP, Document #1, filed Feb. 8, 2017, 65 pages.

United States District Court Western District of Texas Austin Division, "Plaintiffs' Complaint for Damages and Injunctive Relief," *YETI Coolers, LLC v. Houssam Rabi d/b/a Hoo-Sizzy*, Case 1:17-cv-00418, Document 1, filed May 5, 2017, 37 pages.

United States District Court Western District of Texas Austin Division, "Plaintiffs' Complaint for Damages and Injunctive Relief," *YETI Coolers, LLC v. Seth Stevens d/b/a SDS Marketing d/b/a Eskimo Coolers, Panther Group LLC d/b/a Eskimo Coolers, Panther Group Sales, LLC d/b/a Eskimo Coolers, and Silver Fox Sales, LLC*, Case 1:17-cv-00423, Document 1, filed May 5, 2017, 77 pages.

United States District Court Western District of Texas Austin Division, "RTIC Drinkware's First Amended Complaint for Declaratory Judgment," *RTIC Drinkware, LLC v. YETI Coolers, LLC*, Case: 1:16-cv-00907-RP, Document #52, filed Nov. 14, 2016, 124 pages.

United States District Court Western District of Texas Austin Division, "Sic Products, LLC's Answer, Affirmative Defenses, and Counterclaims to Plaintiff's Amended Complaint," *YETI Coolers, LLC v. Sic Products LLC, d/b/a Sic cups, d/b/a Sic*, Case: 1:16-cv-00117-RP, Document #35, Dec. 5, 2016, 81 pages.

United States District Court Western District of Texas Austin Division, "Sic Products, LLC's Answer, Affirmative Defenses, and Counterclaims to Plaintiff's Complaint," *YETI Coolers, LLC v. Sic Products LLC, d/b/a Sic Cups, d/b/a Sic*, Case: 1:16-cv-00117-RP, Document #14, Jun. 3, 2016, 38 pages.

United States District Court Western District of Texas Austin Division, "Veterinary Internet Company, LLC d/b/a VetInternetCo's Answer to Plaintiff's Complaint," *YETI Coolers, LLC v. Polar Pad LLC, d/b/a Polar Drifter, d/b/a Polar Pad, and Veterinary Internet Company, LLC, d/b/a VetInternetCo*, Case: 1:16-cv-00677-RP, Document #11, Aug. 19, 2016, 12 pages.

United States District Court Western District of Texas Austin Division, "Wal-Mart Stores, Inc.'s Answer to First Amended Complaint," *YETI Coolers, LLC v. Wal-Mart Stores, Inc. and Olympia Tools International, Inc.*, Case: 1:16-cv-00454-RP, Document #22, Jun. 7, 2016, 13 pages.

United States District Court Western District of Texas Austin Division, "YETI Coolers, LLC's Answer to RTIC Drinkware LLC's Complaint," *RTIC Drinkware, LLC v. YETI Coolers, LLC*, Case: 1:16-cv-00907-RP, Document #35, filed Aug. 9, 2016, 27 pages.

United States District Court Western District of Texas Austin Division, "YETI Coolers, LLC's Answer to RTIC Drinkware's First Amended Complaint," *RTIC Drinkware, LLC v. YETI Coolers, LLC*, Case: 1:16-cv-00907-RP, Document #58, filed Dec. 1, 2016, 15 pages.

United States District Court Western District of Texas Austin Division, "YETI Coolers, LLC's Answer to RTIC Drinkware, LLC's, RTIC Web Services, LLC's, Corporate Support & Fulfillment, LLC's, John Jacobsen's, and James Jacobsen's Counterclaims," *YETI Coolers, LLC v. RTIC Coolers, LLC, RTIC Drinkware, LLC, RTIC Web Services, LLC, Corporate Support & Fulfillment, LLC, John Jacobsen, and James Jacobsen*, Case: 1:16-cv-00264-RP, Document #31, filed Jul. 7, 2016, 7 pages.

United States District Court Western District of Texas Austin Division, "YETI Coolers, LLC's Answer to SIC Products, LLC Counterclaims to YETI Coolers, LLC's Amended Complaint," *YETI Coolers, LLC v. Sic Products LLC, d/b/a Sic Cups, d/b/a Sic*, Case: 1:16-cv-00117-RP, Document #38, Dec. 19, 2016, 20 pages.

United States District Court Western District of Texas Austin Division, "YETI Coolers, LLC's Answer to SIC Products, LLC Counterclaims," *YETI Coolers, LLC v. Sic Products LLC, d/b/a Sic Cups, d/b/a Sic*, Case: 1:16-cv-00117-RP, Document #21, Sep. 29, 2016, 15 pages.

United States District Court Western District of Texas Austin Division, "YETI Coolers, LLC's First Amended Complaint," *YETI Coolers, LLC v. RTIC Coolers, LLC, RTIC Drinkware, LLC, RTIC Web Services, LLC, Corporate Support & Fulfillment, LLC, John Jacobsen, and James Jacobsen*, Case: 1:16-cv-00264-RP, Document #15, filed May 16, 2016, 110 pages.

Vat19, "16 oz. Dual Auto/USB Heated Mug", retrieved from <<https://www.vat19.com/item/16-oz-dual-auto-usb-heater-coffee-mug>> on Aug. 27, 2015.

\* cited by examiner

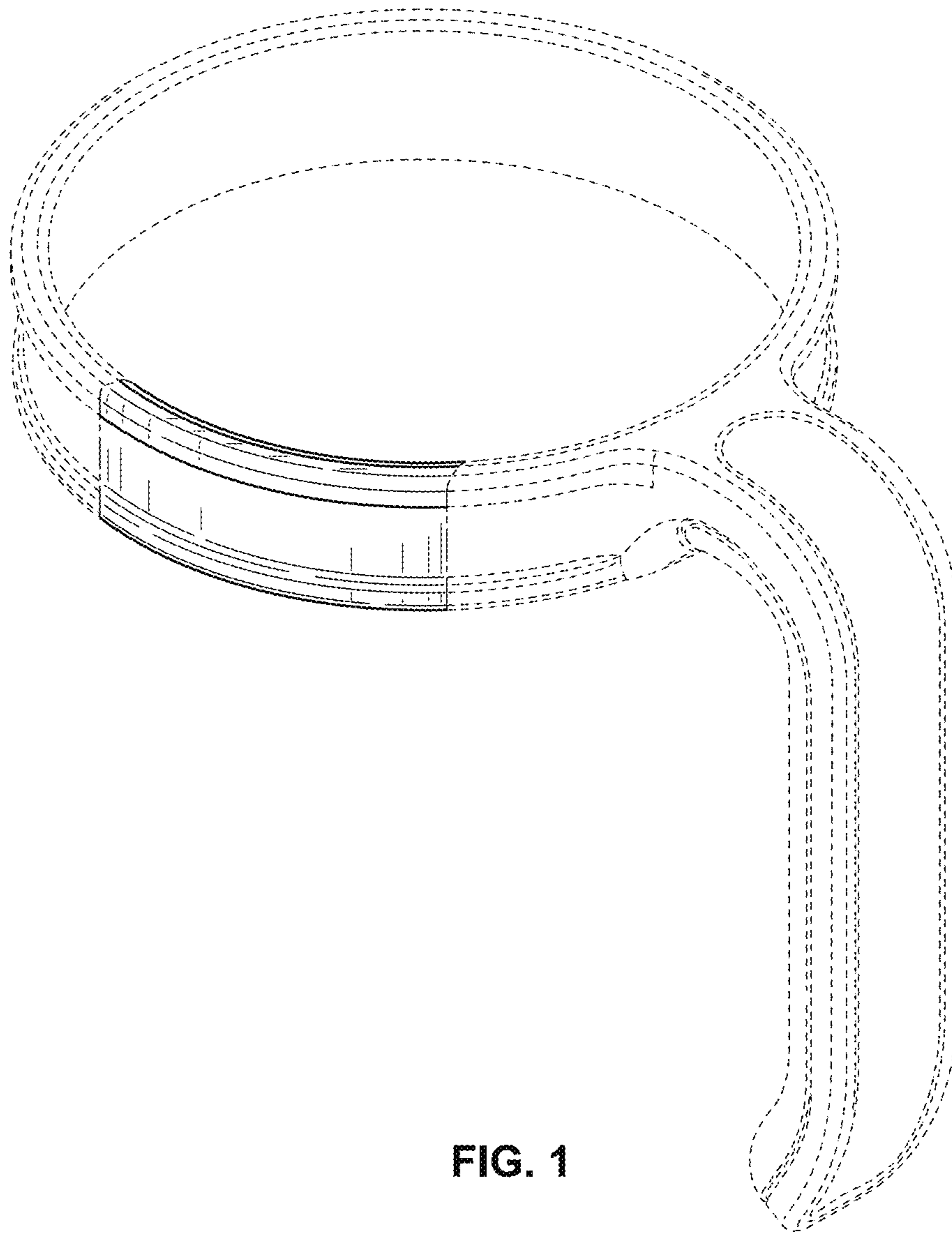


FIG. 1

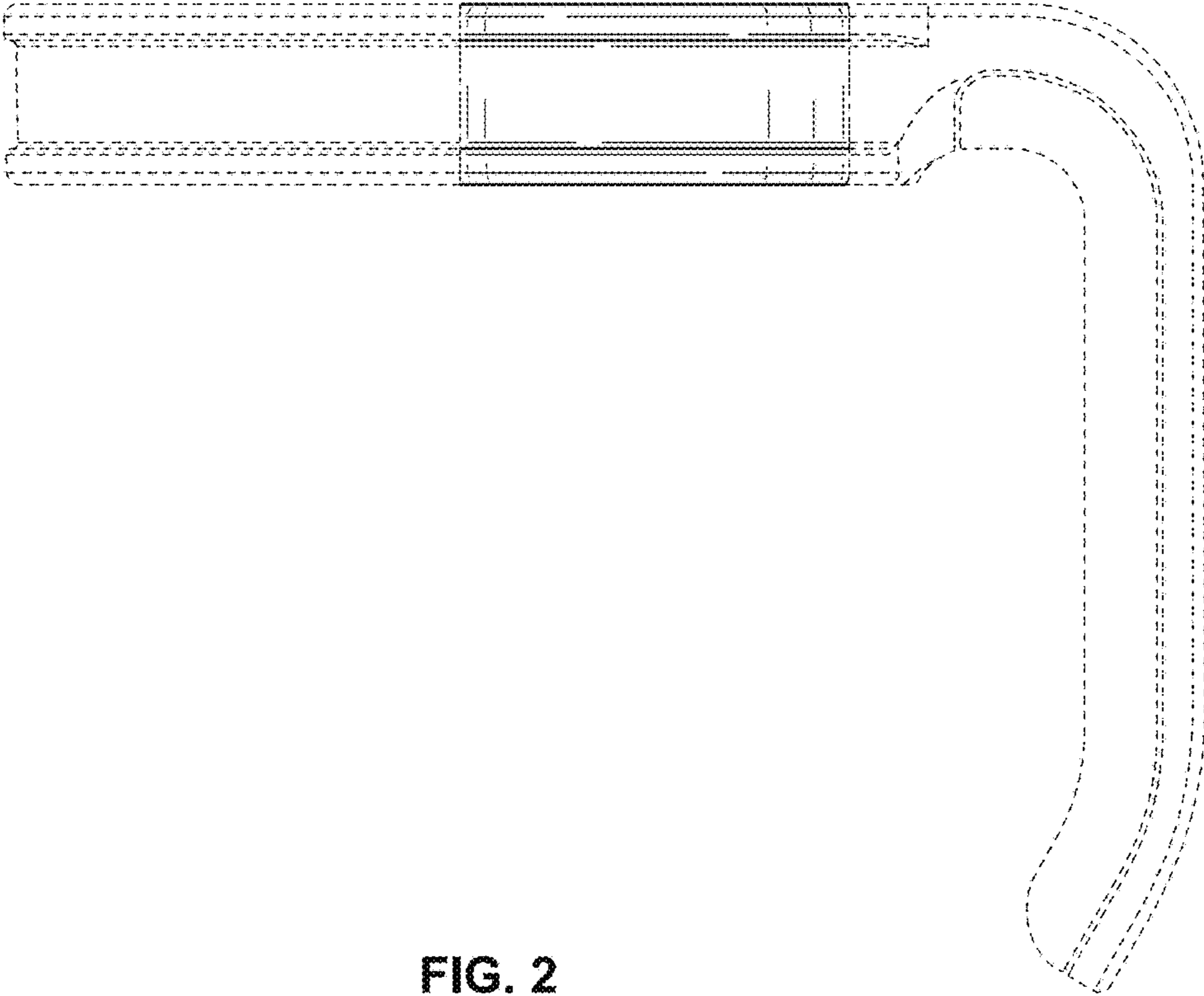


FIG. 2

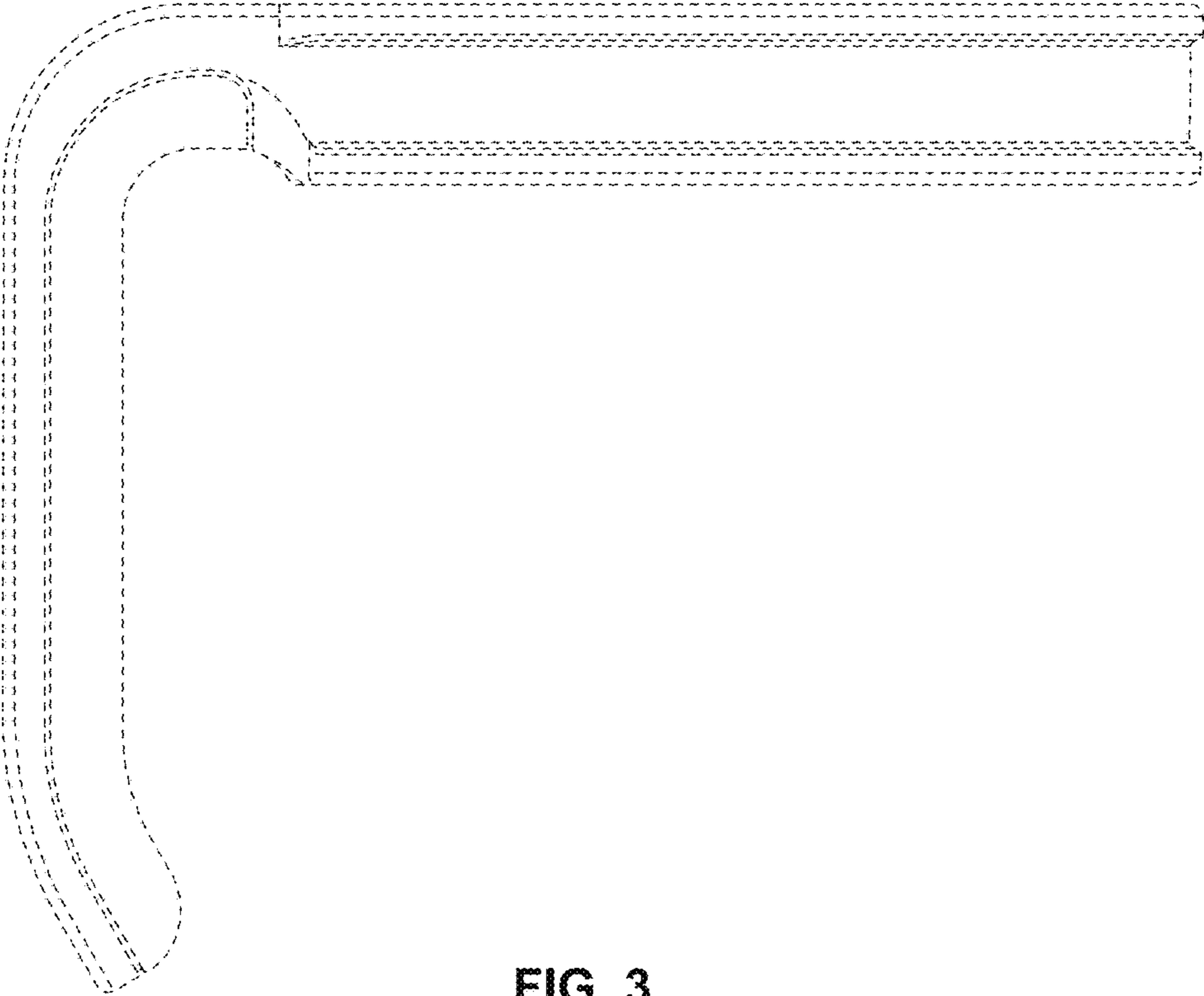


FIG. 3



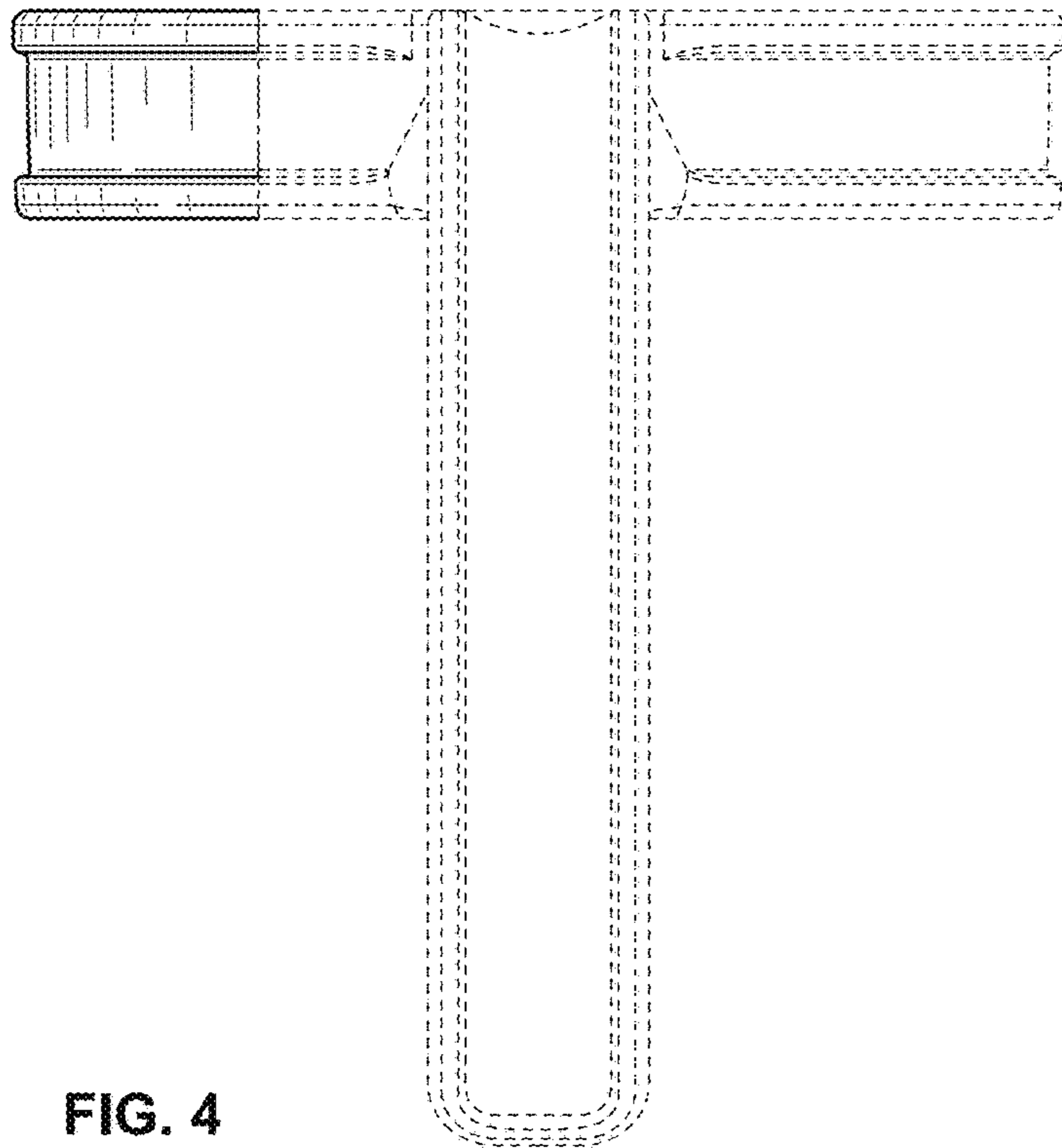


FIG. 4

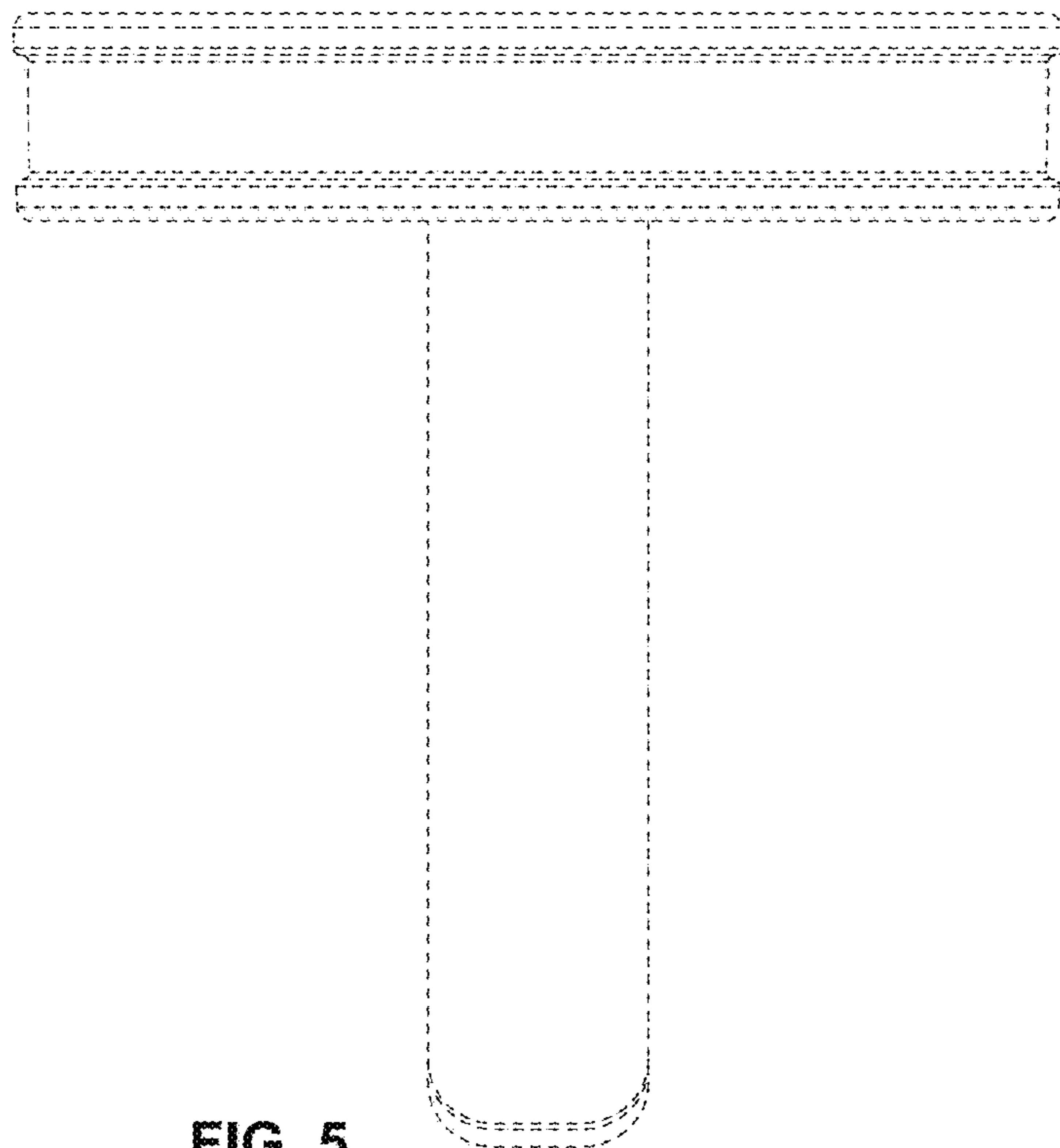


FIG. 5

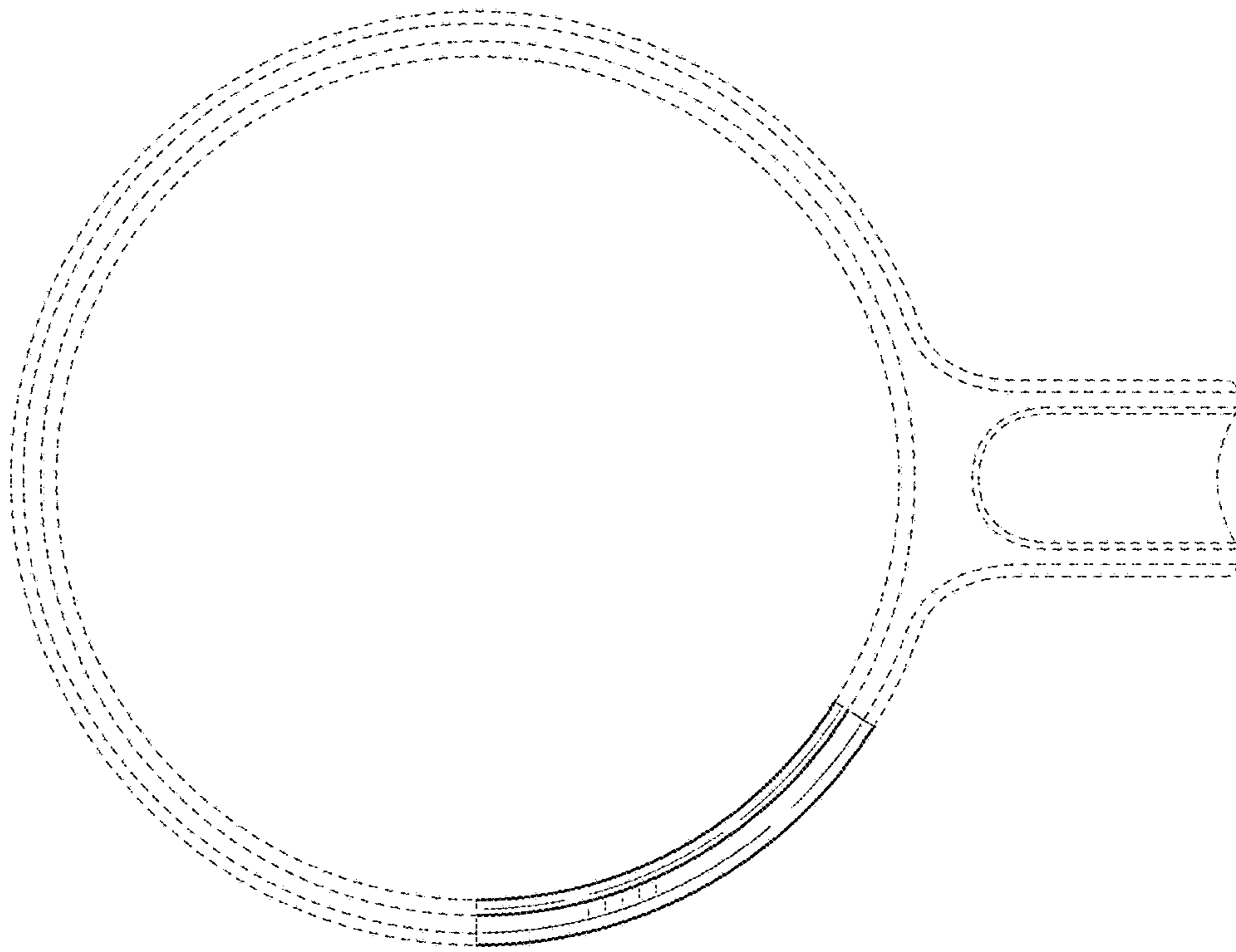


FIG. 6

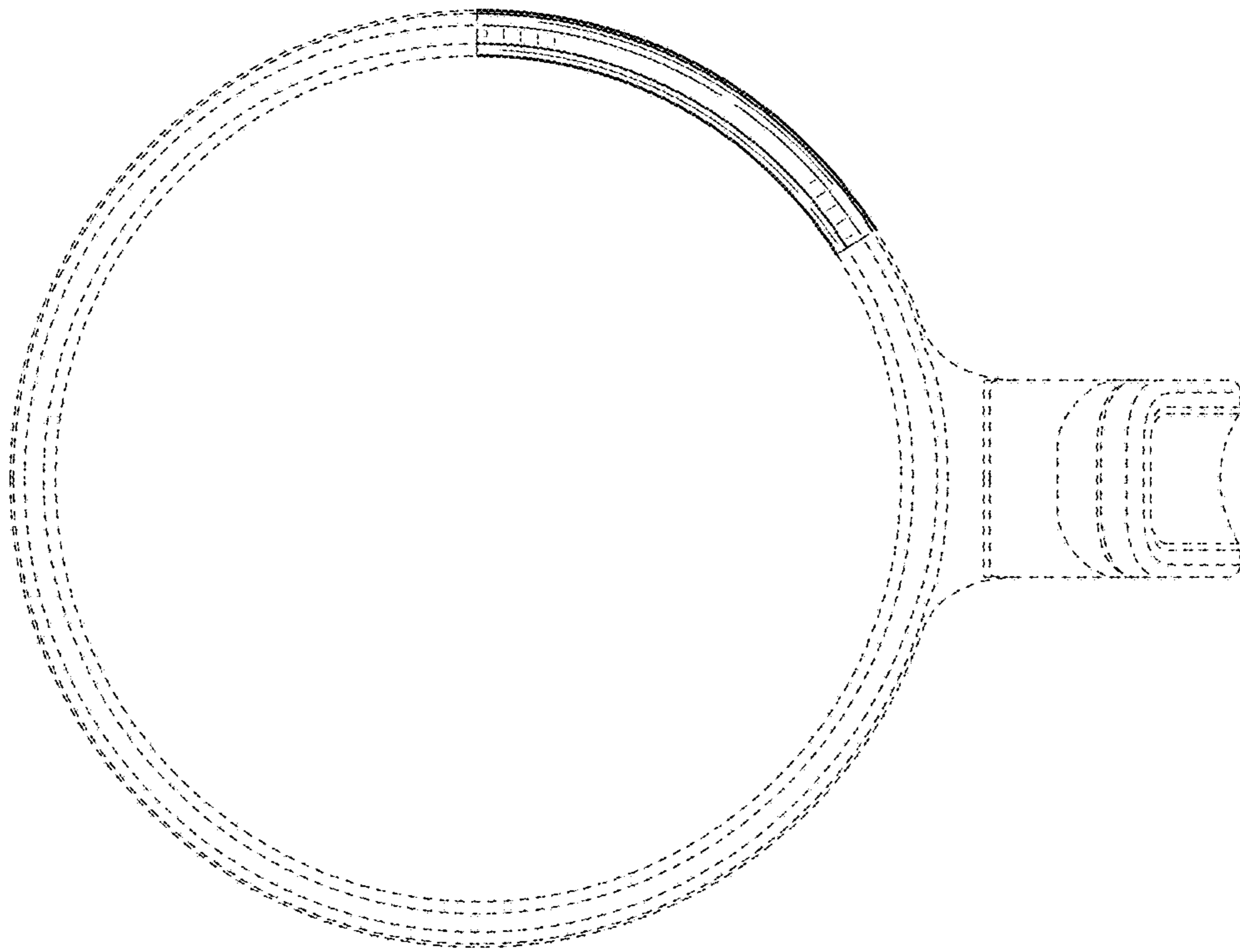


FIG. 7