



US00D812982S

(12) **United States Design Patent**
Melnyk

(10) **Patent No.:** **US D812,982 S**
(45) **Date of Patent:** **** Mar. 20, 2018**

- (54) **THERMAL BOTTLE**
- (71) Applicant: **IGNITE USA, LLC**, Chicago, IL (US)
- (72) Inventor: **Steven G. Melnyk**, Waterloo, IA (US)
- (73) Assignee: **IGNITE USA, LLC**, Chicago, IL (US)
- (**) Term: **15 Years**
- (21) Appl. No.: **29/584,374**
- (22) Filed: **Nov. 14, 2016**
- (51) **LOC (11) Cl.** **07-01**
- (52) **U.S. Cl.**
USPC **D7/608**
- (58) **Field of Classification Search**
USPC D7/603–608, 509–511; D9/537, 541,
D9/500–504, 549, 559, 574, 575
CPC A47G 19/2205; A47G 2019/2294; A47J
41/02; A47J 41/0077; A47J 41/0072;
B65D 81/3823; B65D 1/0215
See application file for complete search history.

(56) **References Cited**

U.S. PATENT DOCUMENTS

2,963,187	A *	12/1960	Bramming	A47J 41/02 215/12.1
D429,118	S *	8/2000	Hurlbut	D7/608
D490,654	S	6/2004	Allen et al.		
D507,458	S	7/2005	Allen et al.		
D572,981	S *	7/2008	Carreno	D7/510
D702,092	S *	4/2014	Mettler	D7/608
D709,734	S *	7/2014	Kotani	D7/608
D730,696	S	6/2015	Nemeth et al.		

OTHER PUBLICATIONS

Classic Foam Insulated Desk Mug—52oz, downloaded from the Internet at: <http://www.bubbabrands.com/water-bottles/classic-foam-insulated-desk-mug---52oz/21.html?dwvar_21_color=Black#sz=51&start=34>.

Classic Foam Insulated Travel Mug—34oz, downloaded from the Internet at: <http://www.bubbabrands.com/mugs/classic-foam-insulated-travel-mug---34oz/25.html?dwvar_25_color=Black#sz=51&start=45>.
Competitive Bottles, Applicant’s internal files.
Design U.S. Appl. No. 29/588,039, filed Dec. 16, 2016, “Thermal Bottle”.
Design U.S. Appl. No. 29/588,045, filed Dec. 16, 2016, “Thermal Bottle”.
U.S. Appl. No. 15/445,050, filed Feb. 28, 2017, “Portable Beverage Container with Robust, Collapsible Handle”.
Color Photograph of Stanley 1.1-Quart Classic Vacuum Bottle.

(Continued)

Primary Examiner — Terry A Wallace

(74) *Attorney, Agent, or Firm* — Marshall, Gerstein & Borun LLP

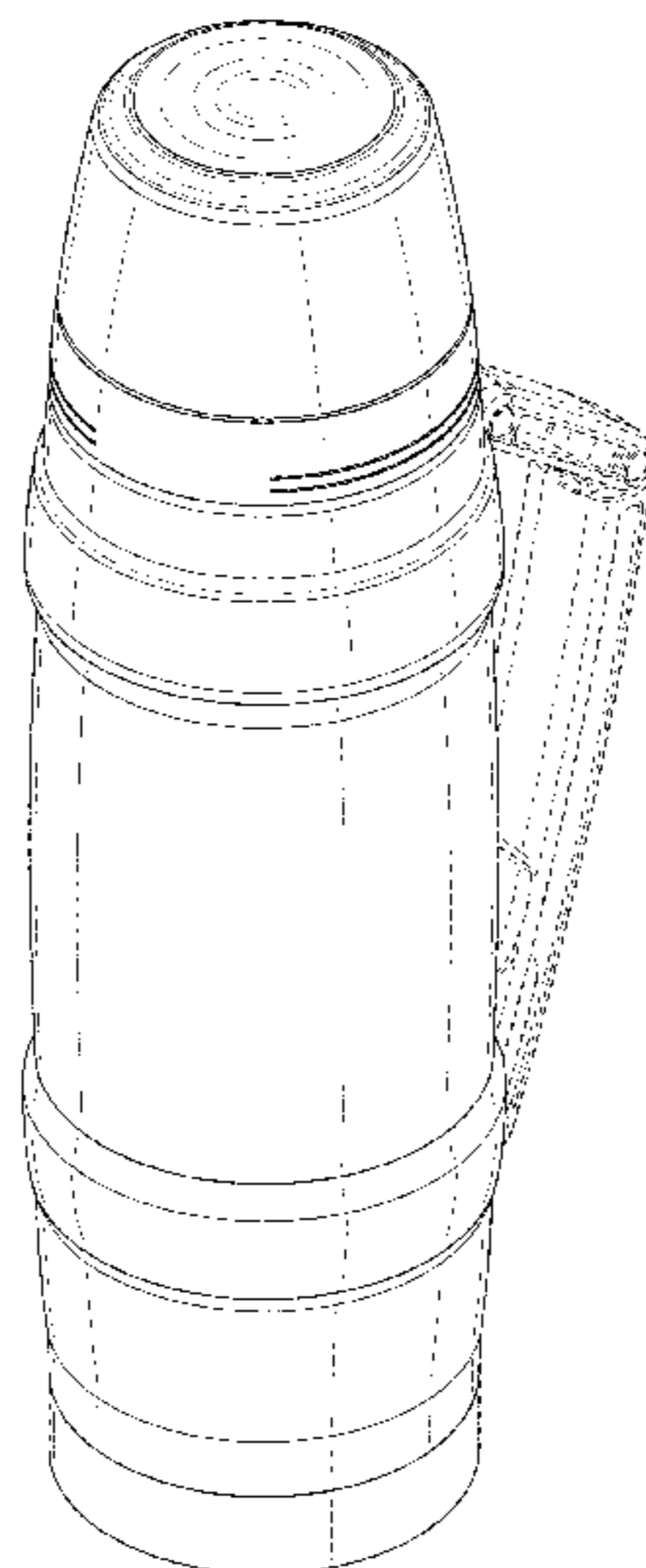
(57) **CLAIM**

The ornamental design for a thermal bottle, as shown and described.

DESCRIPTION

FIG. 1 is a top perspective view of a thermal bottle according to the new design.
FIG. 2 is a back view of the thermal bottle shown in FIG. 1;
FIG. 3 is a front view of the thermal bottle shown in FIG. 1;
FIG. 4 is a right side view of the thermal bottle shown in FIG. 1;
FIG. 5 is a left side view of the thermal bottle shown in FIG. 1;
FIG. 6 is a top view of the thermal bottle shown in FIG. 1; and,
FIG. 7 is a bottom view of the thermal bottle shown in FIG. 1.
The broken lines shown in the drawings are included for the purpose of illustrating environmental structure and form no part of the claimed design.

1 Claim, 7 Drawing Sheets



(56)

References Cited

OTHER PUBLICATIONS

Color Photograph of Stanley Classic 1.4-Quart Vacuum Bottle.

Color photograph of THERMOcafe™ by Thermos, 1.3 qt Vacuum Insulated Stainless Steel Bottle.

OXO Good Grips Stainless Steel Double Wall Thermal Beverage Container, downloaded from the Internet at: <<https://www.oxo.com/products/beverage/travel-mugs/stainless-steel-double-wall-thermal-beverage-container-24oz>>.

Stainless King™ Vacuum Insulated 24 oz Food Jar in Matte Black, downloaded from the Internet at: <<http://www.thermos.com/products/stainless-king-vacuum-insulated-24-oz-food-jar-in-matte-black.aspx>>.

Thermos Stainless King 40 Ounce Beverage Bottle, downloaded from the Internet at: <<https://www.amazon.com/Thermos-Stainless-Beverage-Bottle-Midnight/dp/B0017IHRNM?th=1>>.

Thermos 61 Ounce Vacuum Insulated Beverage Bottle with Folding Handle, Stainless Steel, downloaded from the Internet at: <https://www.amazon.com/Thermos-Insulated-Beverage-Folding-Stainless/dp/B00JQUXS4A>.

Thermos Vacuum Insulated Food/Beverage Bottle, downloaded from the Internet at: <https://www.amazon.com/Thermos-Vacuum-Insulated-Stainless-Bottle/dp/B00JDZFOXQ/ref=as_li_ss_tl?ie=UTF8&linkCode=s11&tag=kateheavy-20&linkId=cf0b59755acbc0dec157c6ffe3c40158>.

* cited by examiner

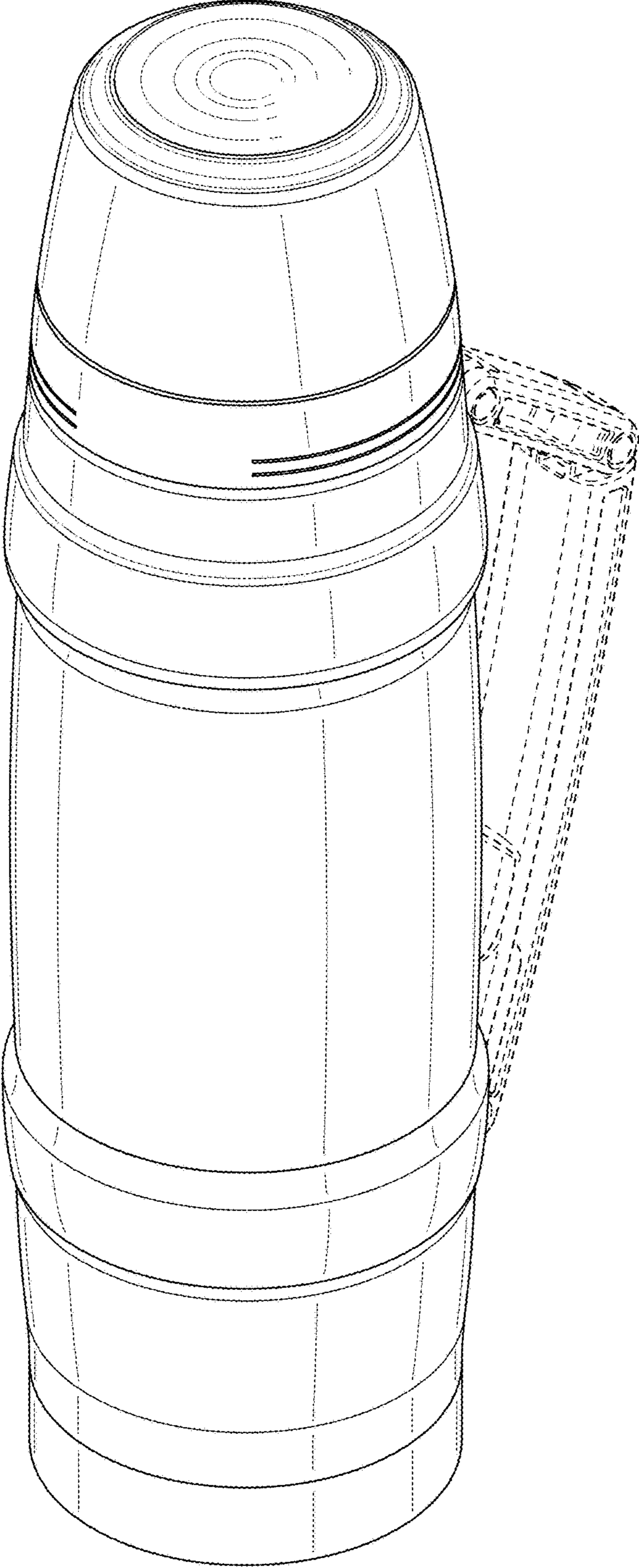


FIG. 1

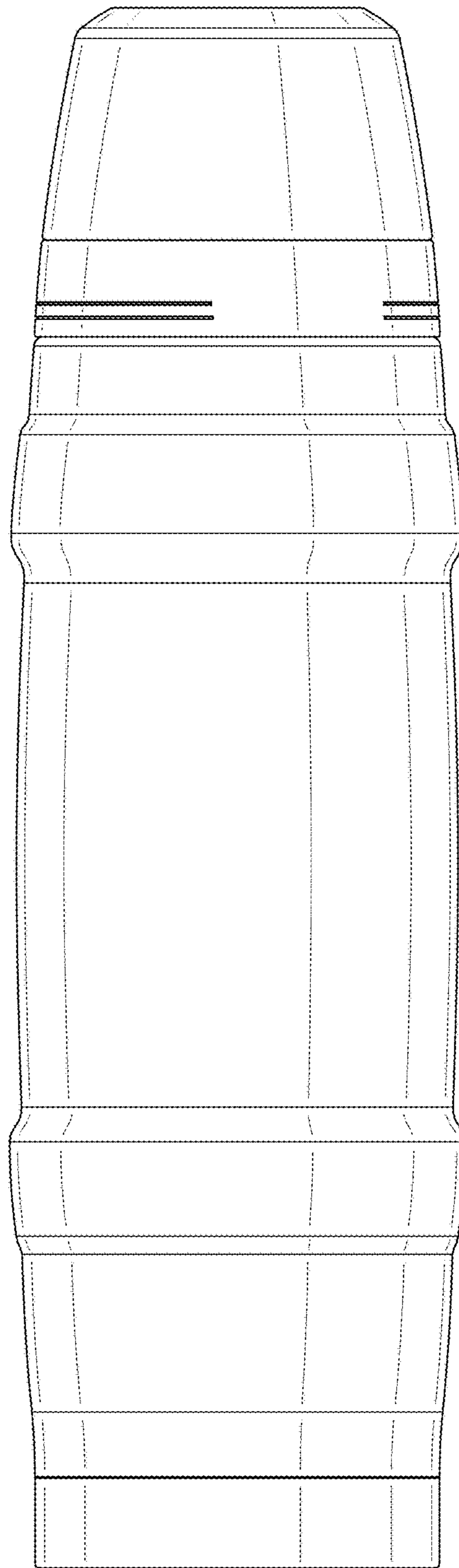


FIG. 2

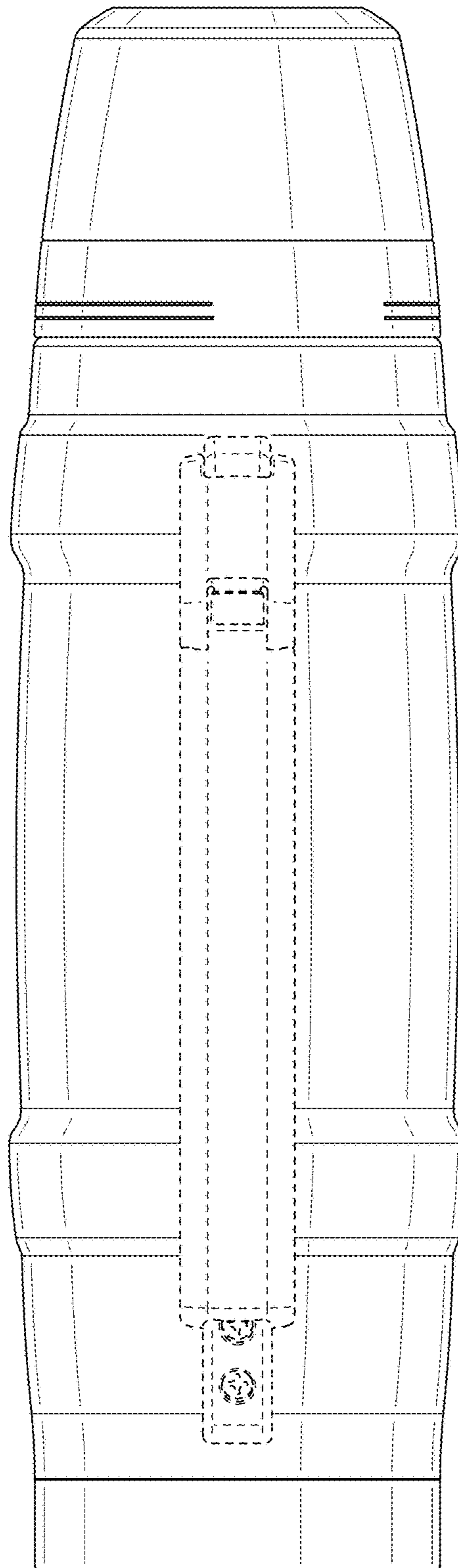


FIG. 3

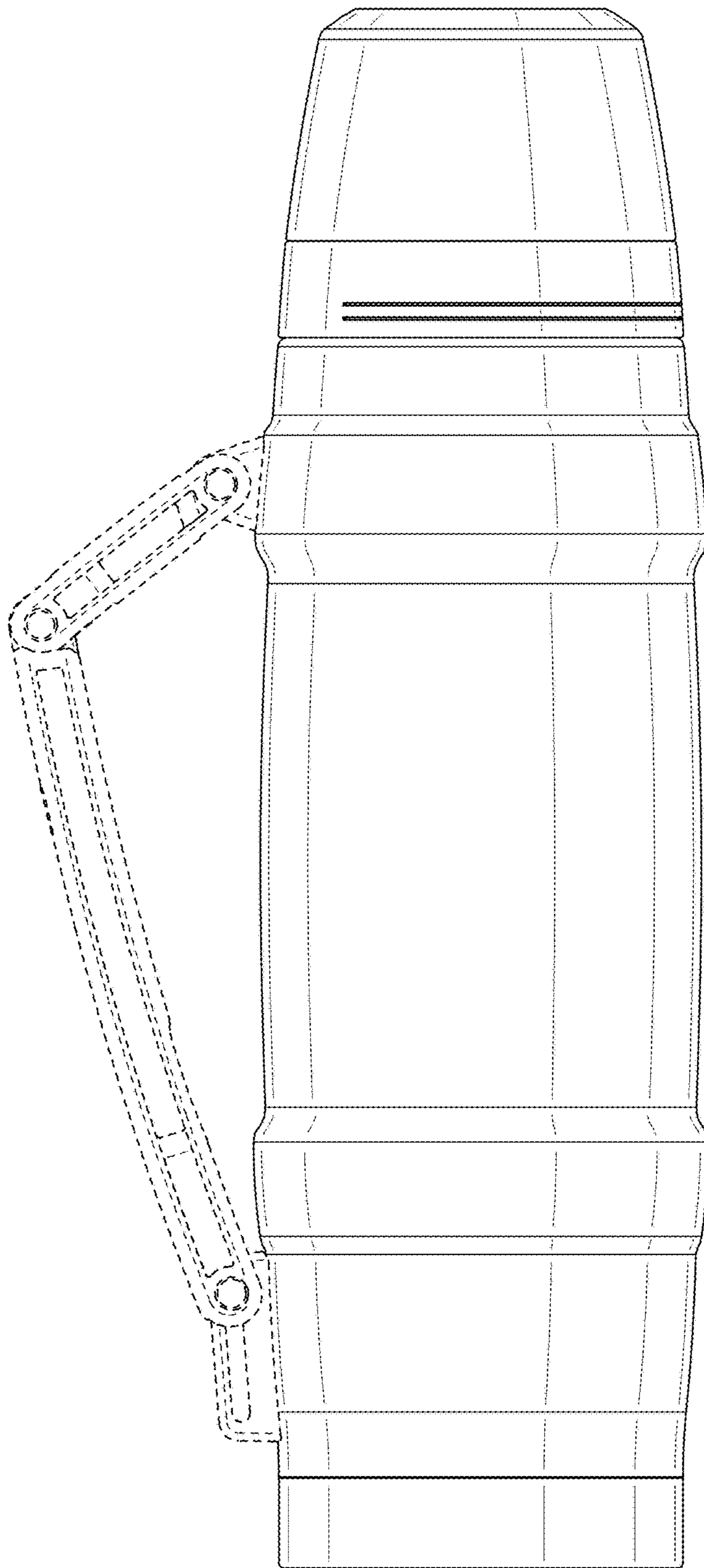


FIG. 4

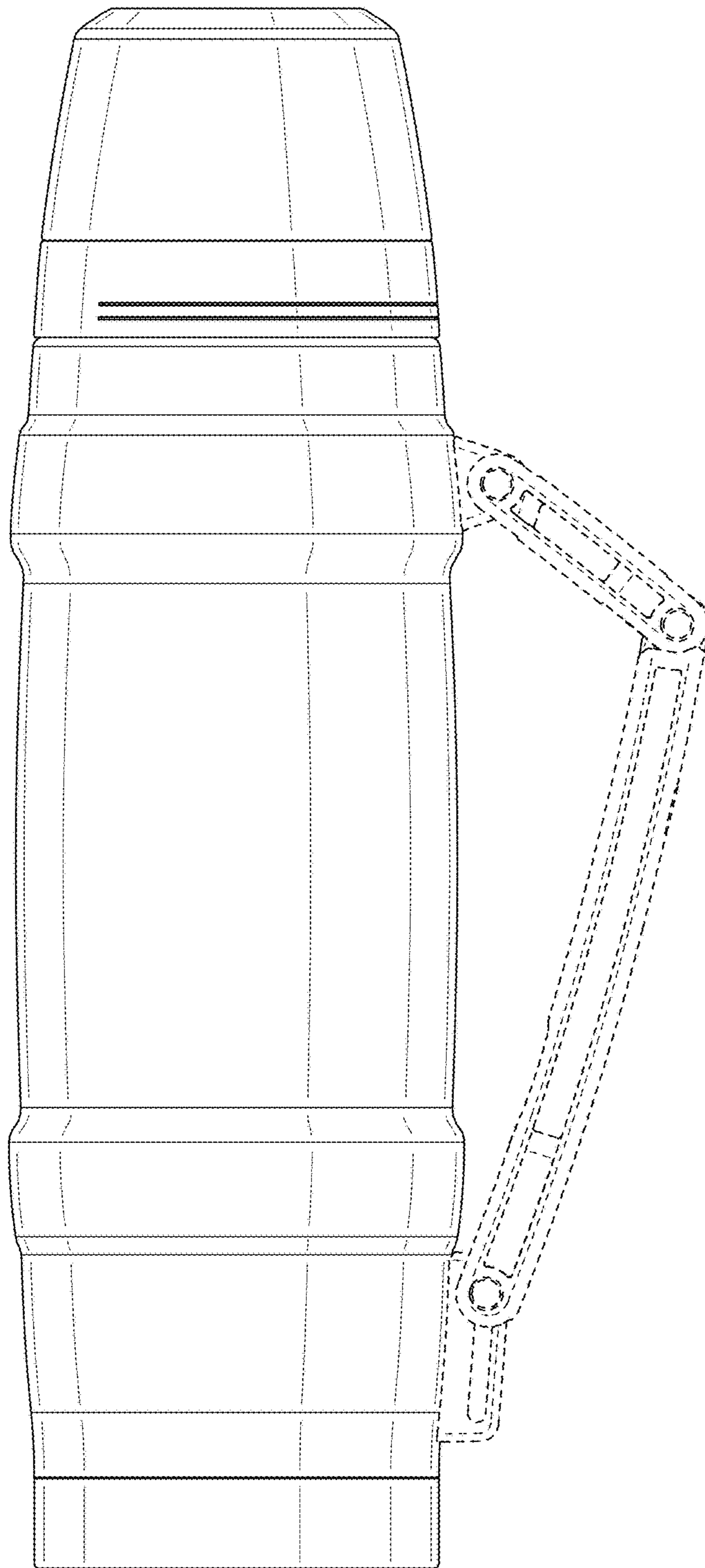


FIG. 5

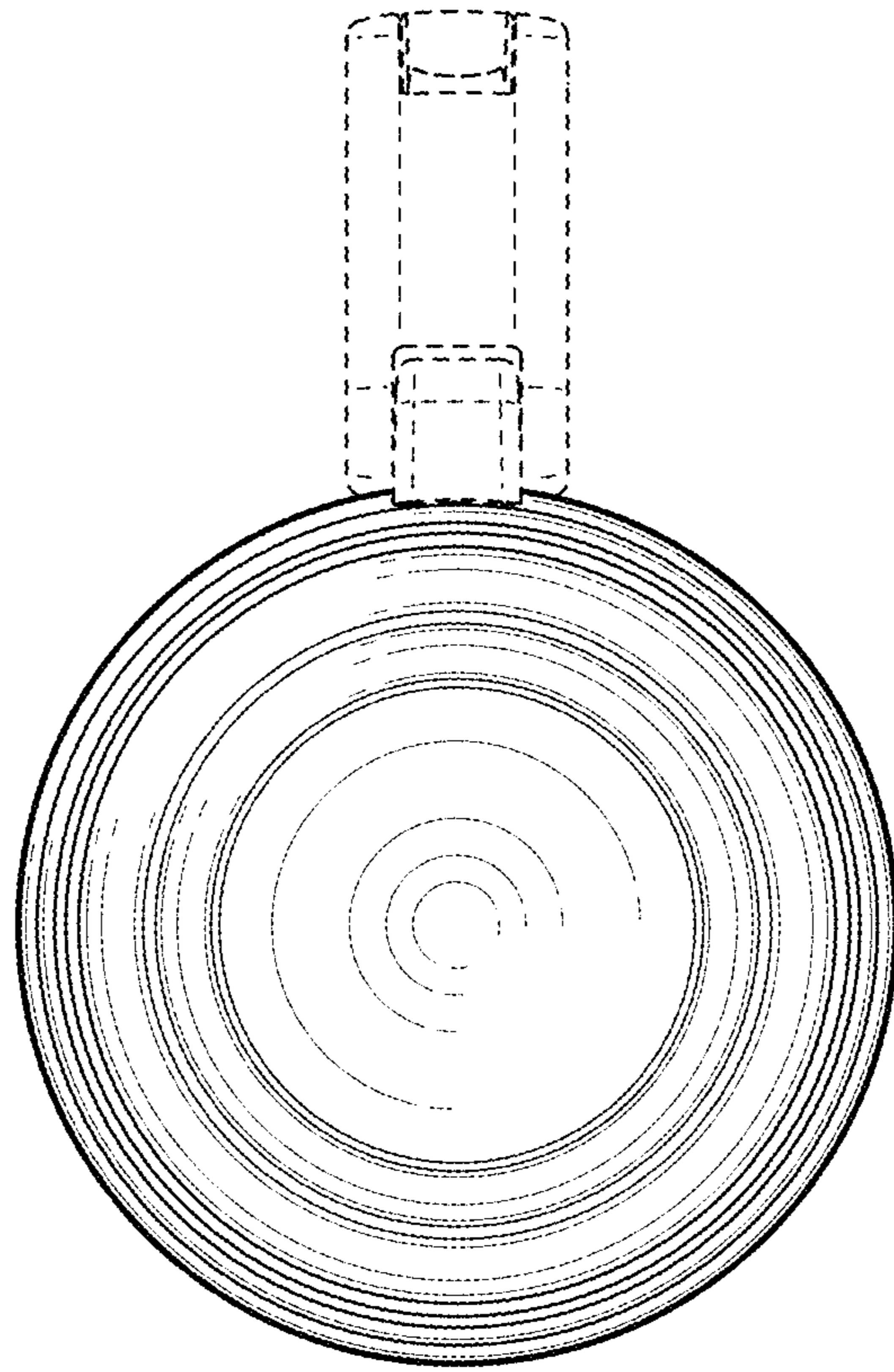


FIG. 6

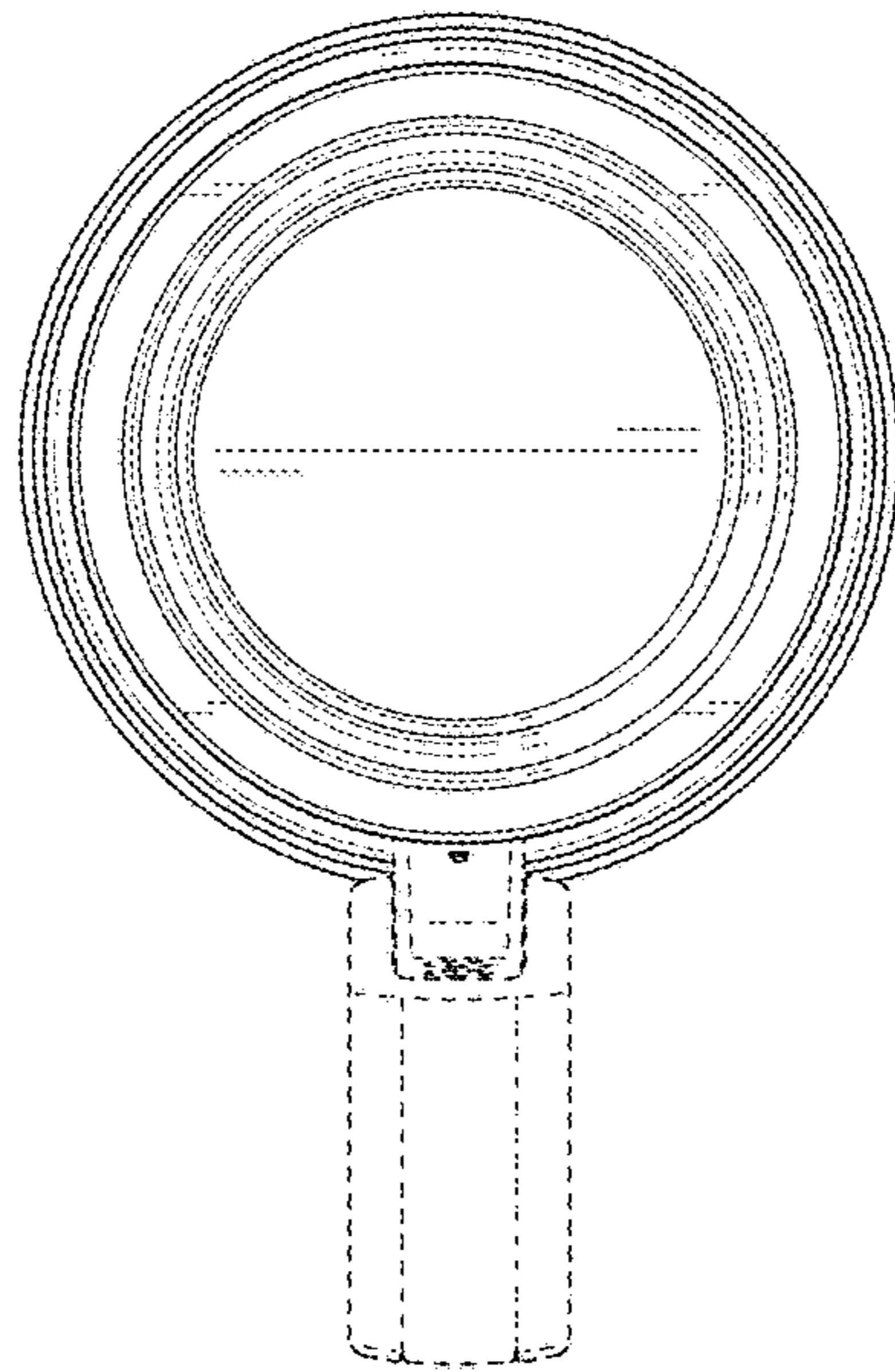


FIG. 7