



US00D812981S

(12) **United States Design Patent**
Cooper

(10) **Patent No.:** **US D812,981 S**

(45) **Date of Patent:** **** Mar. 20, 2018**

(54) **COOLER**

(71) Applicant: **Corey M. Cooper**, Destin, FL (US)

(72) Inventor: **Corey M. Cooper**, Destin, FL (US)

(**) Term: **15 Years**

(21) Appl. No.: **29/578,184**

(22) Filed: **Sep. 19, 2016**

(51) **LOC (11) Cl.** **07-01**

(52) **U.S. Cl.**

USPC **D7/608**

(58) **Field of Classification Search**

USPC D7/603-608, 300, 312, 313

CPC F25D 3/08; F25D 3/14; F25D 2331/804;

A45C 11/20; B26B 3/00; A47J 41/028;

B65D 81/3823; B65D 81/3886

See application file for complete search history.

(56) **References Cited**

U.S. PATENT DOCUMENTS

2,570,300	A	10/1951	Acton	
3,182,884	A	5/1965	Waldron	
4,128,170	A	12/1978	Elliott	
D261,088	S *	10/1981	Akimov	7/608
4,537,044	A *	8/1985	Putnam	A45C 11/20
				220/902
D344,657	S *	3/1994	Knopp	D7/313
D369,525	S *	5/1996	Winters	D7/608
D373,055	S *	8/1996	Segura	D7/608
D494,424	S *	8/2004	Segura	D7/608
7,249,772	B2 *	7/2007	Bruns	F25D 3/08
				220/915.2

D612,671	S	3/2010	Sanchez et al.	
8,146,764	B2	4/2012	Kral	
D722,474	S *	2/2015	Seiders	D32/53
2009/0193837	A1 *	8/2009	Hamlin	F25D 3/08
				62/457.5
2015/0253055	A1	9/2015	Tsui	

OTHER PUBLICATIONS

“Yeti Tank 85 Insulated Ice Bucket,” Camp Saver, LLC website, <http://www.campsaver.com/tank-85-insulated-ice-bucket-1>, printed from the Internet on Jul. 12, 2016.

* cited by examiner

Primary Examiner — Terry A Wallace

(74) *Attorney, Agent, or Firm* — Richard C. Litman

(57) **CLAIM**

The ornamental design for a cooler, as shown and described.

DESCRIPTION

FIG. 1 is a perspective view of a cooler showing my new design;

FIG. 2 is a front elevational view thereof;

FIG. 3 is a rear elevational view thereof;

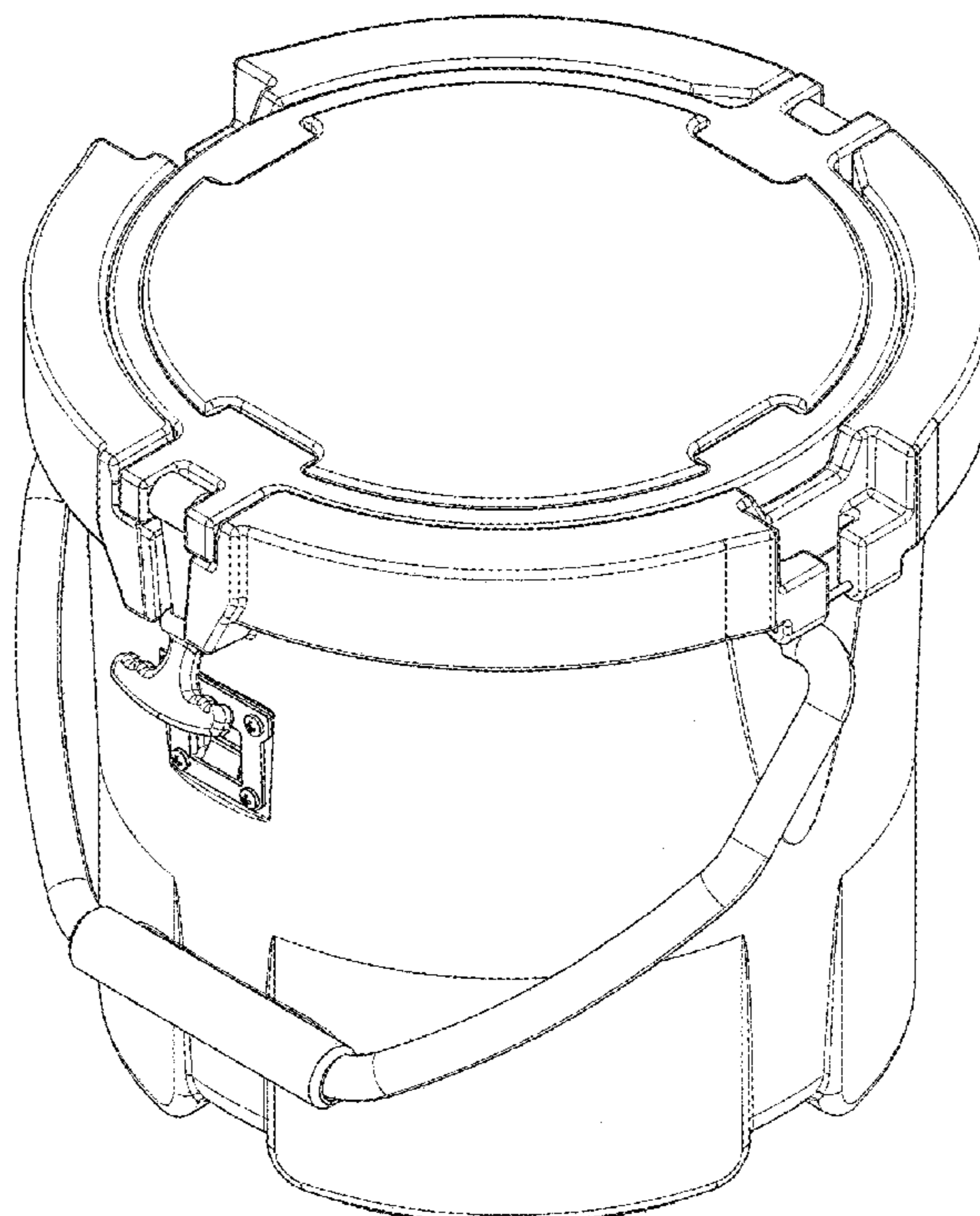
FIG. 4 is a right side elevational view with the left side being a mirror image thereof;

FIG. 5 is a top view thereof; and,

FIG. 6 is a bottom view thereof.

The broken line showing of the logos in FIGS. 5 and 6 is for illustrative purposes only and forms no part of the claimed design.

1 Claim, 6 Drawing Sheets



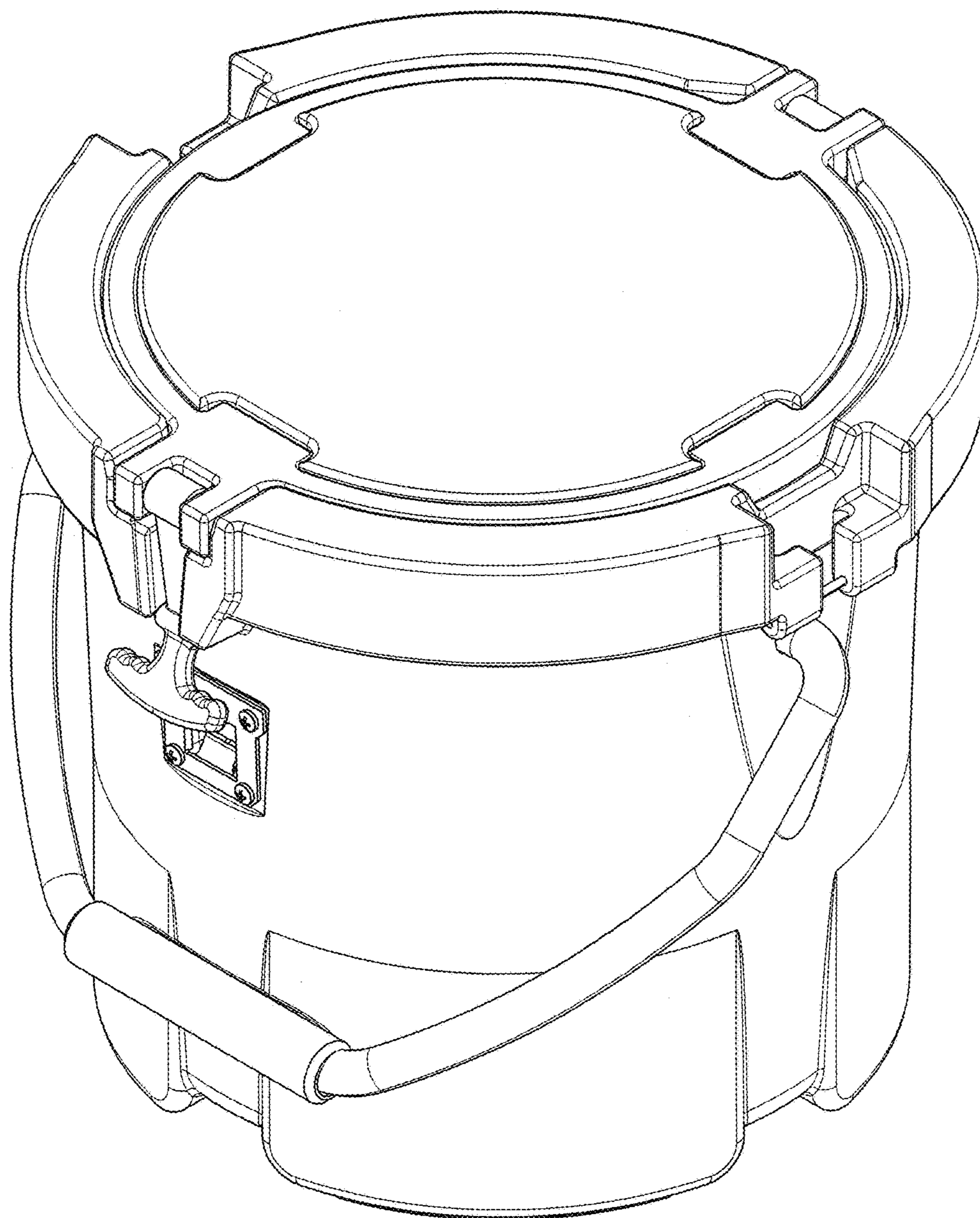


FIG. 1

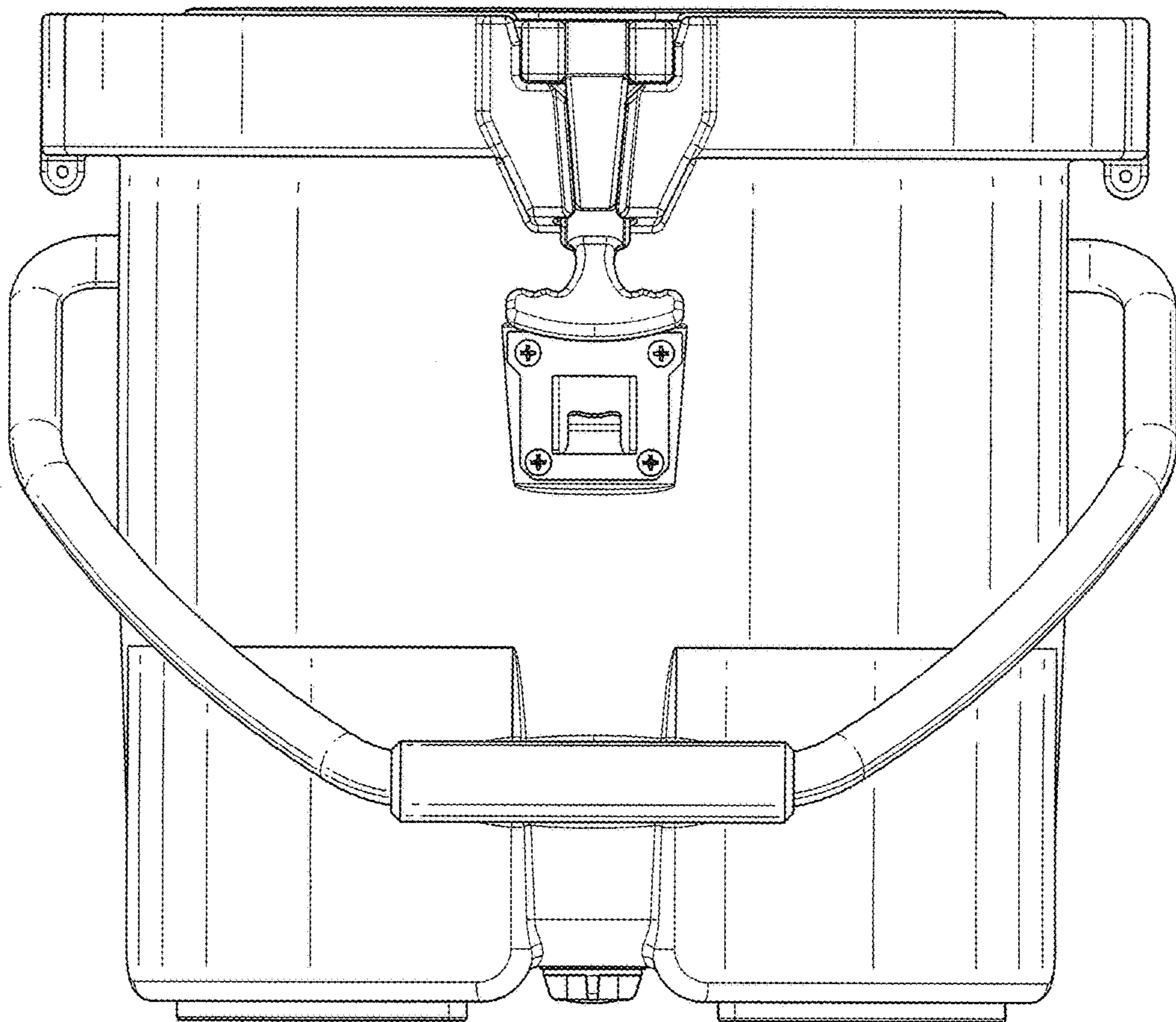


FIG. 2

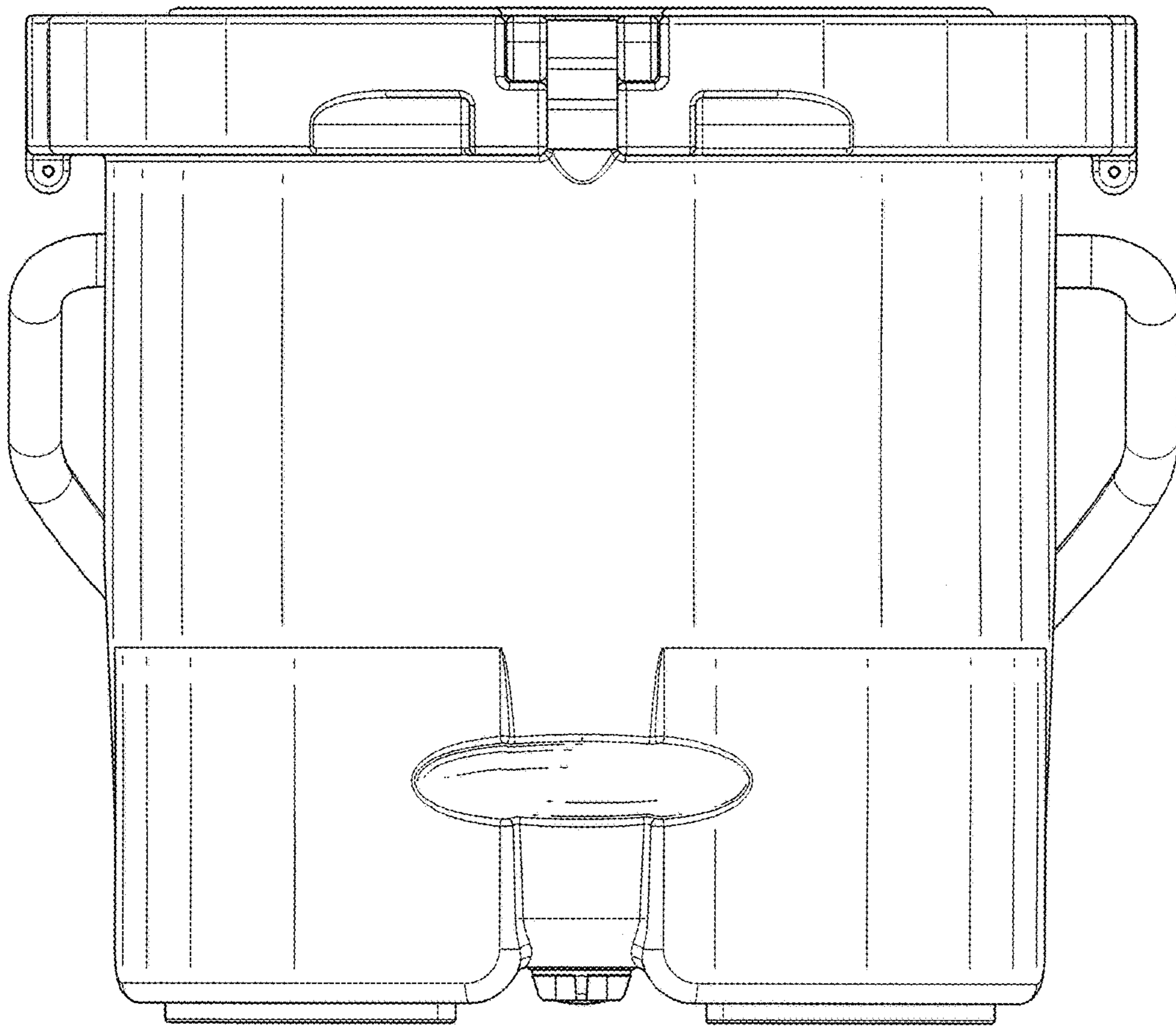


FIG. 3

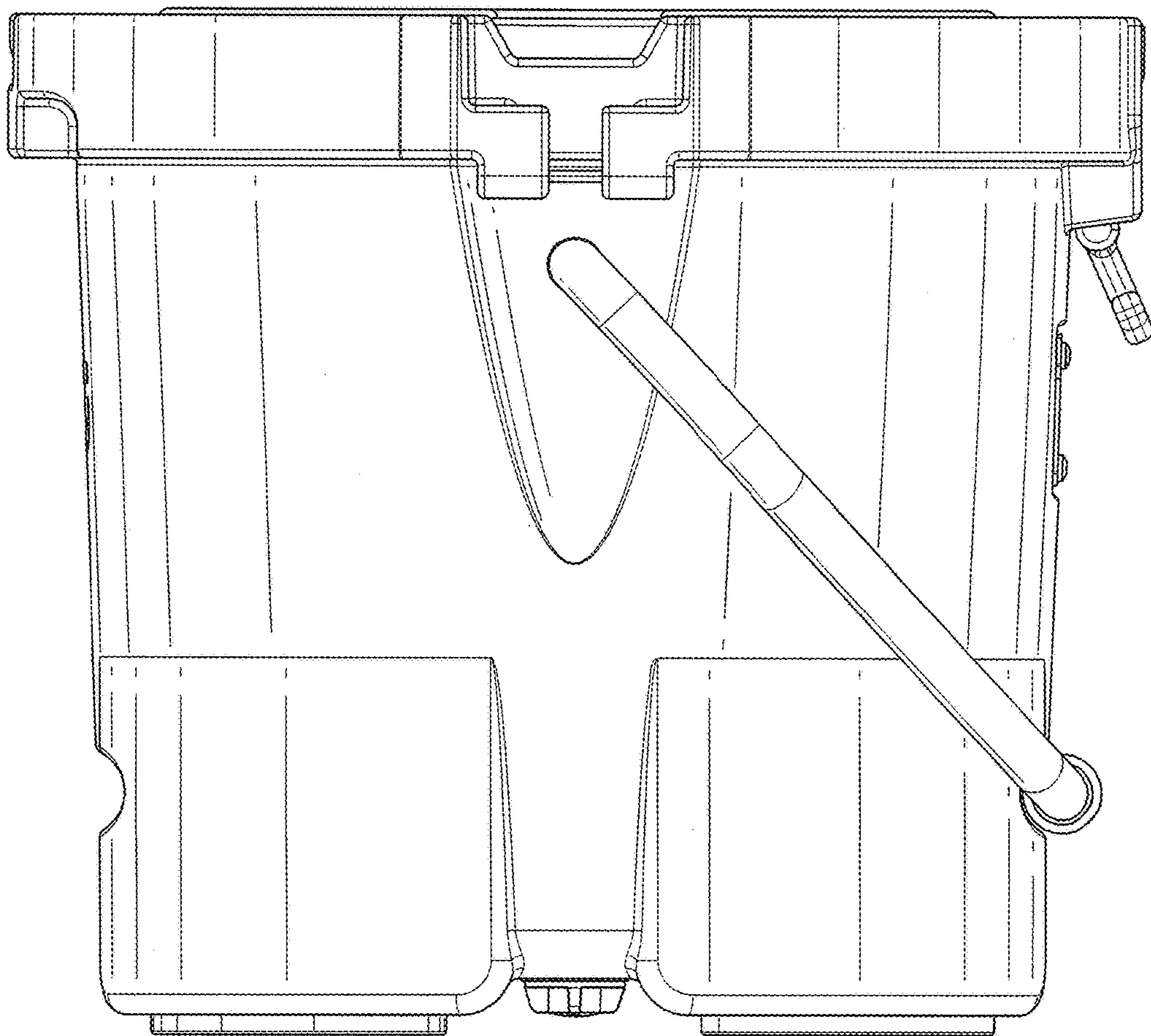


FIG. 4

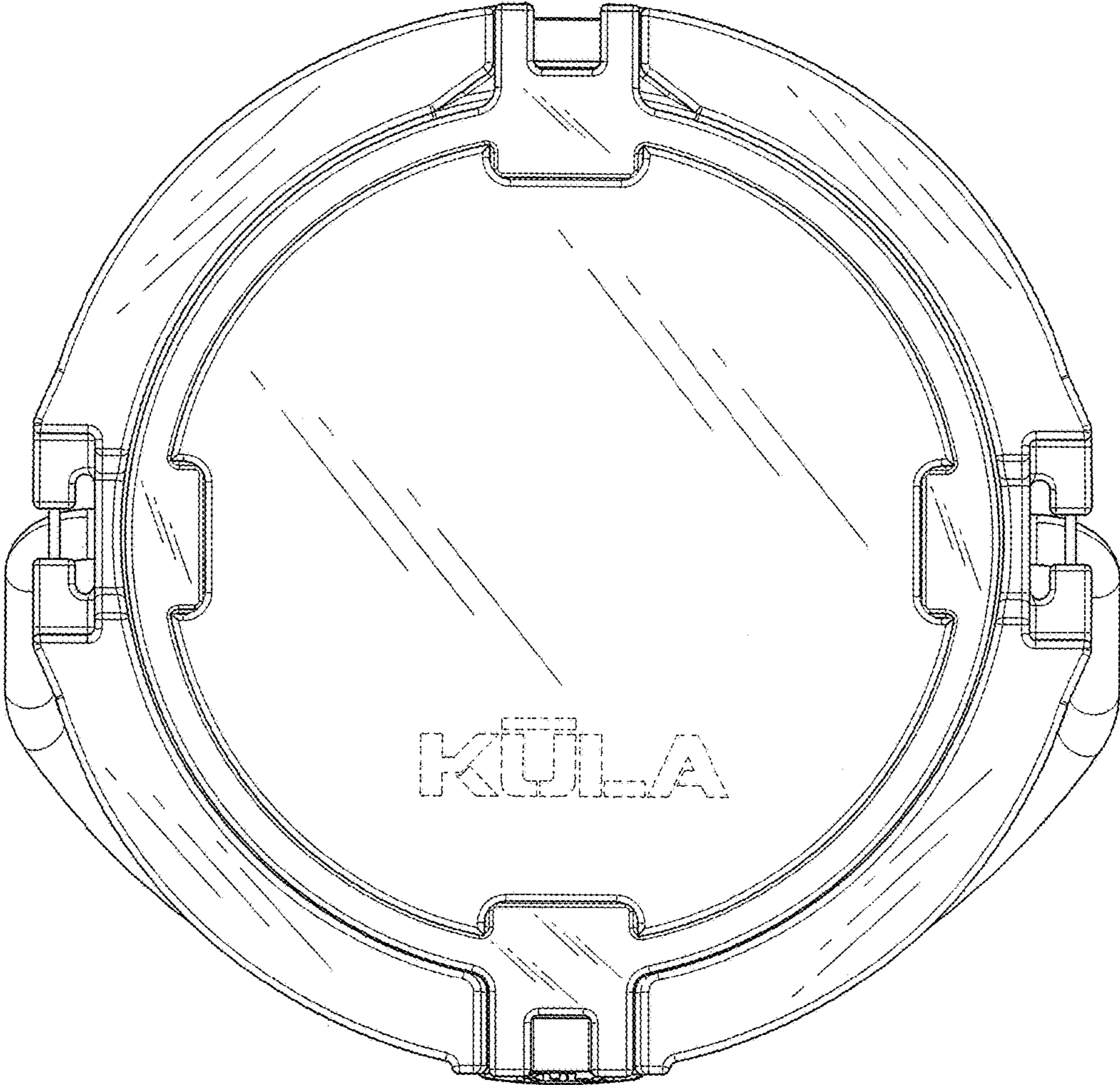


FIG. 5

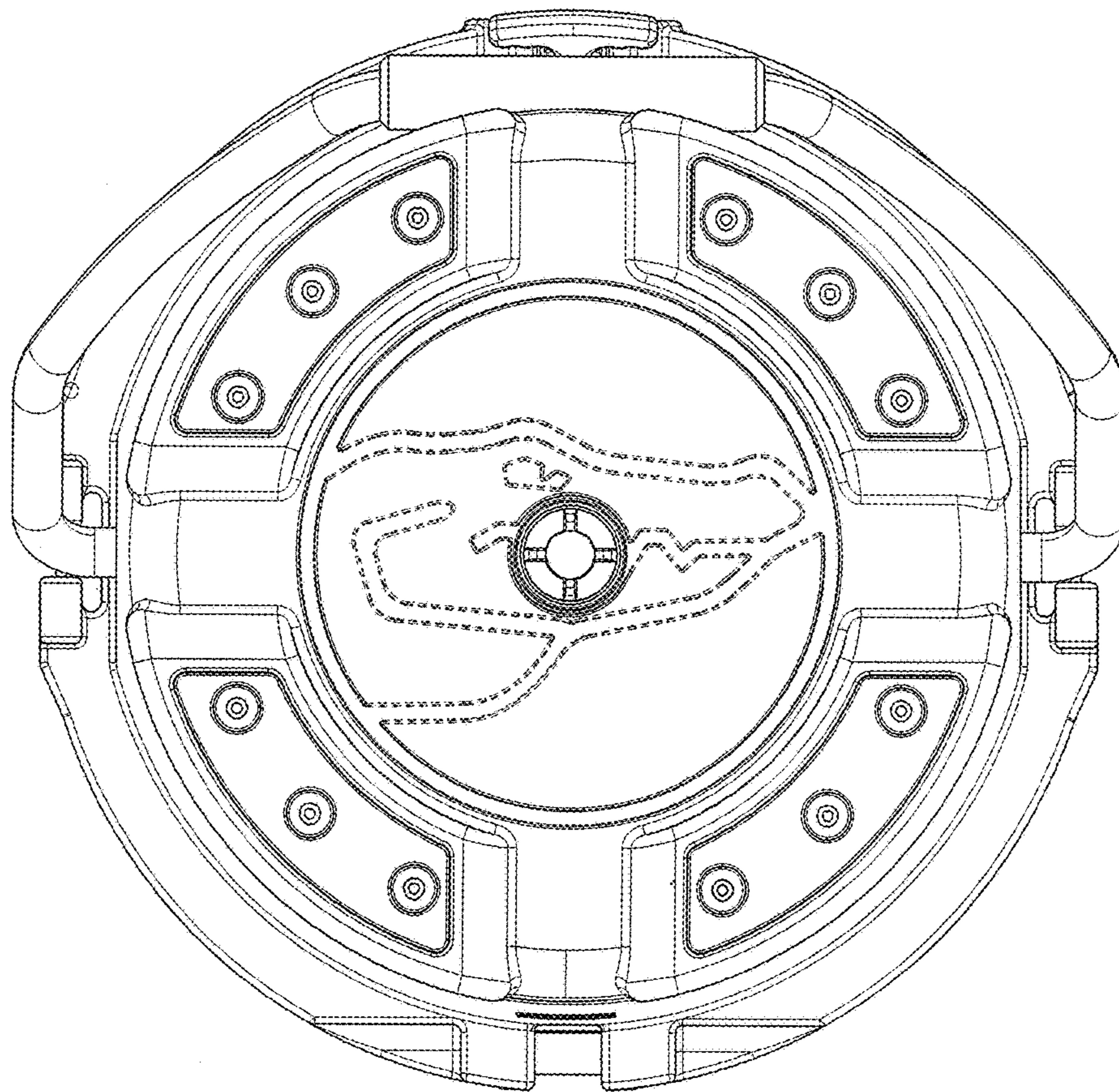


FIG. 6