



US00D812978S

(12) **United States Design Patent**
Swan et al.

(10) **Patent No.:** **US D812,978 S**
(45) **Date of Patent:** **** Mar. 20, 2018**

(54) **WATER BOTTLE**

(71) Applicant: **Catstudio, Inc.**, Petaluma, CA (US)

(72) Inventors: **Terrell Swan**, Petaluma, CA (US);
Carmel Swan, Petaluma, CA (US);
Sierra Fontana, Santa Rosa, CA (US)

(73) Assignee: **Catstudio, Inc.**, Petaluma, CA (US)

(**) Term: **15 Years**

(21) Appl. No.: **29/586,699**

(22) Filed: **Dec. 6, 2016**

(51) **LOC (11) Cl.** **07-01**

(52) **U.S. Cl.**
USPC **D7/511**; D7/532; D7/536

(58) **Field of Classification Search**
USPC D7/507, 509, 510, 511, 523, 527, 529,
D7/531, 532, 533, 534, 535, 536, 608,
D7/300, 300.1; D34/39; D9/503, 907,
D9/531; 220/592.16, 592.17, 495.03
CPC A47G 19/22; A47G 19/2205; A47G
19/2222; A45F 3/16; A45F 3/20; B67D
7/06; B67D 1/0004; B65D 25/14
See application file for complete search history.

(56) **References Cited**

U.S. PATENT DOCUMENTS

D489,627 S * 5/2004 Klitsner D7/300.1
D499,342 S * 12/2004 Klitsner D7/300.1
D529,338 S * 10/2006 Poulson D7/510
D572,078 S * 7/2008 Bhavnani D7/392.1
D609,969 S * 2/2010 McKinney D7/510

D622,547 S * 8/2010 Carreno D7/510
D658,446 S * 5/2012 George D7/511
D720,186 S * 12/2014 Lane D7/533
D758,800 S * 6/2016 Hayslett D7/300.1
D767,390 S * 9/2016 Miksovsky D7/392.1
D772,652 S * 11/2016 Yao D7/510
D786,619 S * 5/2017 Joseph D7/510
D791,542 S * 7/2017 Miksovsky D7/510
D791,549 S * 7/2017 Goodwin D7/608
2009/0236341 A1 * 9/2009 McKinney A47G 19/2266
220/375
2016/0159538 A1 * 6/2016 Michie A45F 3/16
215/306

* cited by examiner

Primary Examiner — Marianne N Pandozzi

Assistant Examiner — Jae Liang

(74) *Attorney, Agent, or Firm* — Thomas M. Freiburger

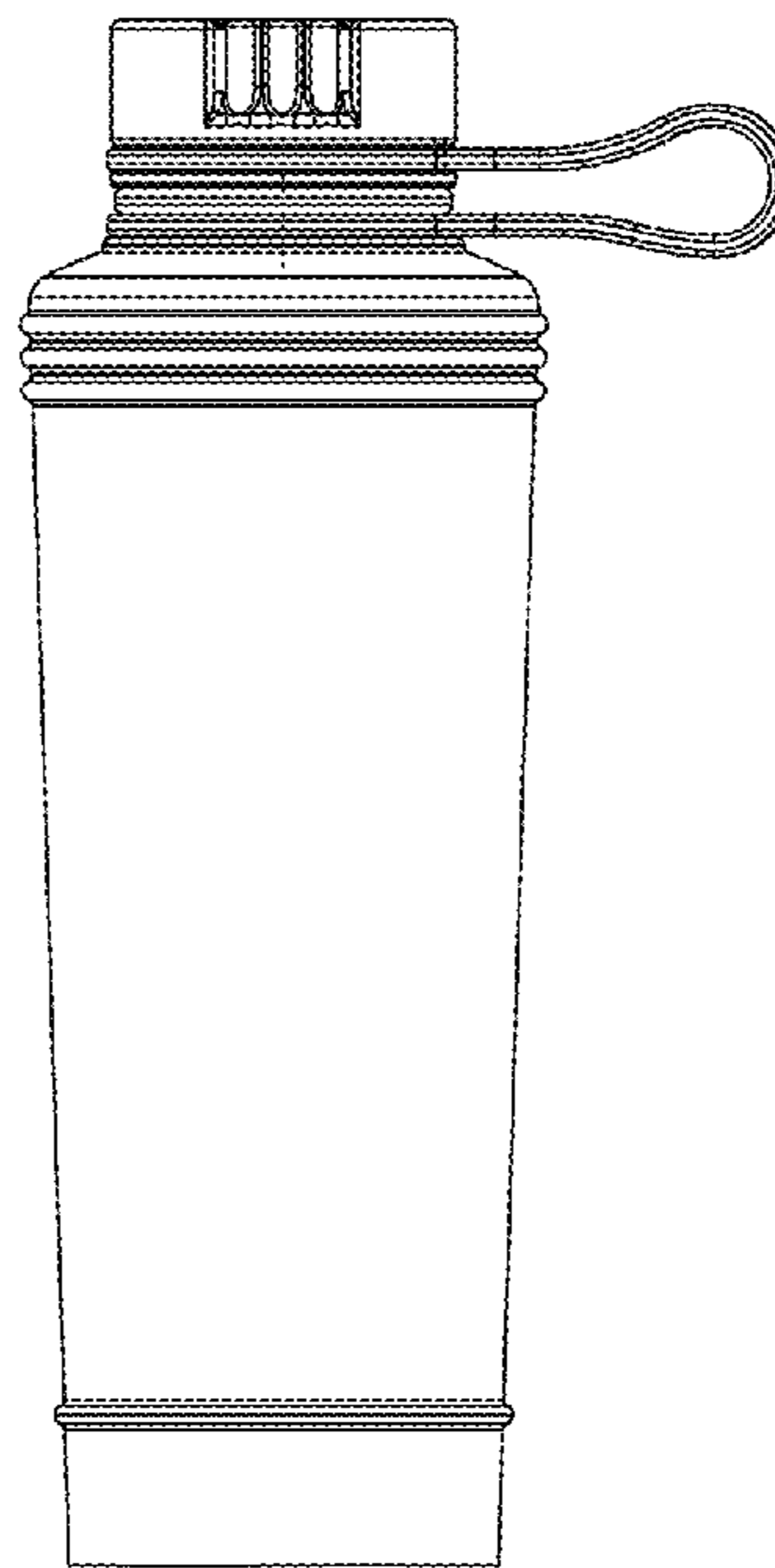
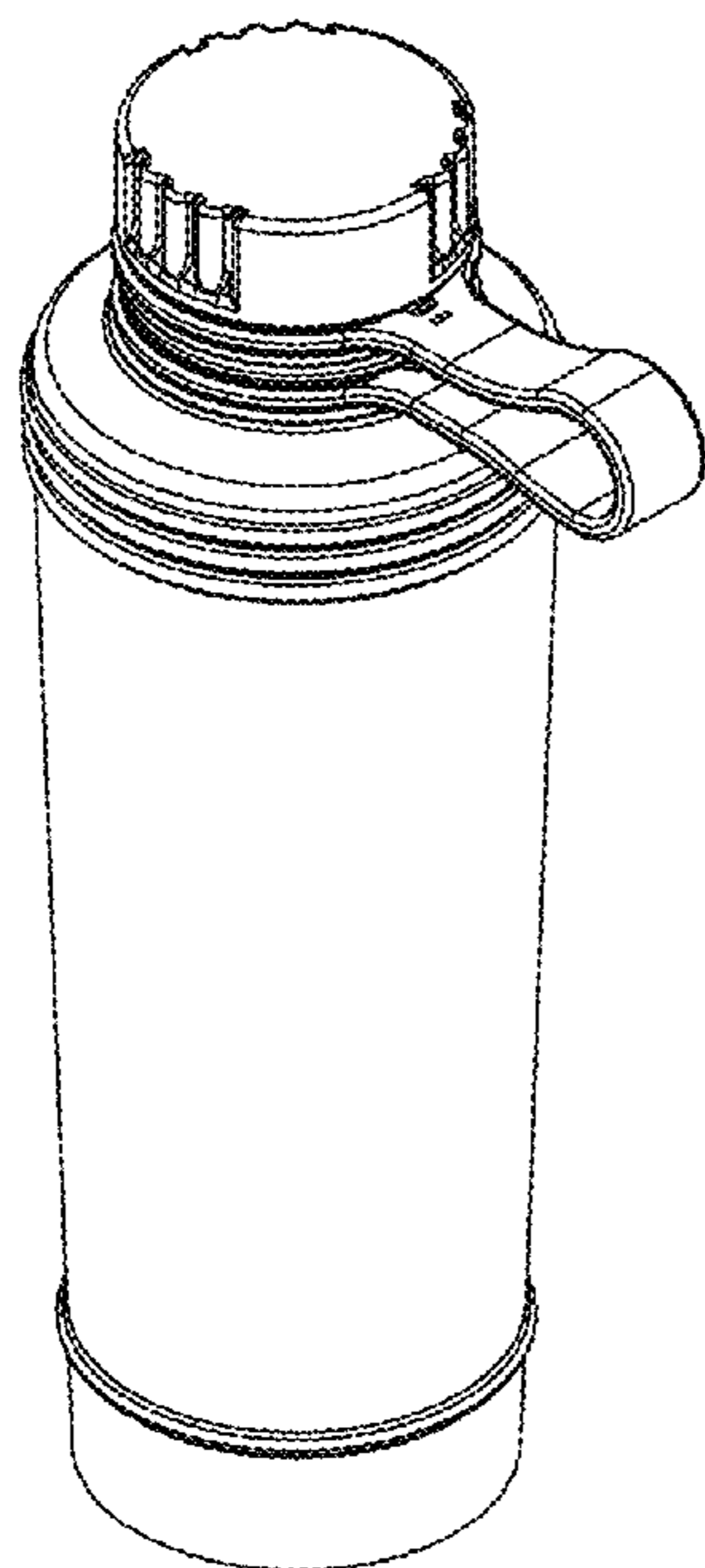
(57) **CLAIM**

The ornamental design for a water bottle, as shown and described.

DESCRIPTION

FIG. 1 is a perspective view of a water bottle showing our new design;
FIG. 2 is a top plan view thereof;
FIG. 3 is a front elevational view thereof;
FIG. 4 is a right side elevational view thereof, the left side elevational view being a mirror image thereof;
FIG. 5 is a bottom plan view thereof; and,
FIG. 6 is a rear elevational view thereof.
The broken lines in the drawing depict portions of the water bottle that form no part of the claimed design.

1 Claim, 3 Drawing Sheets



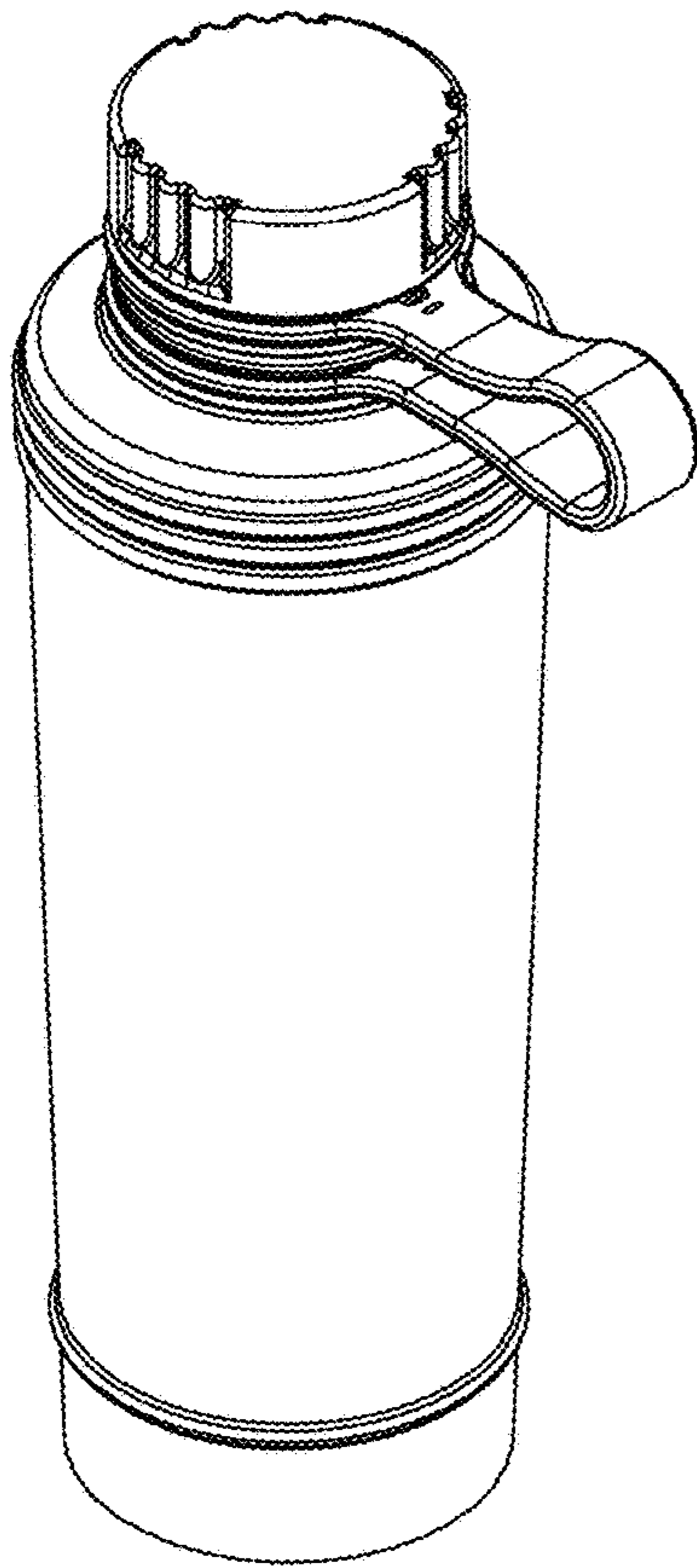


FIG. 1

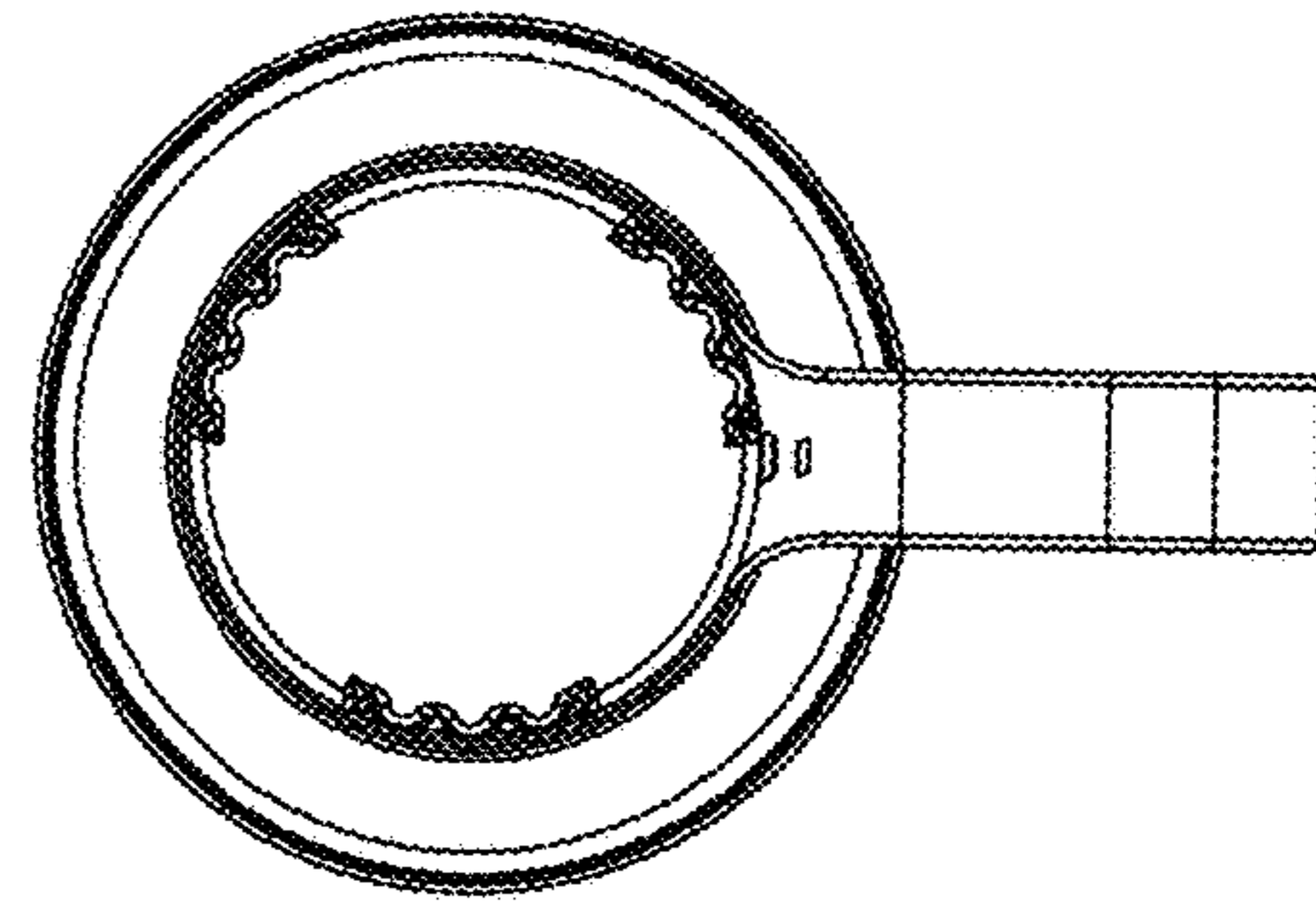


FIG. 2

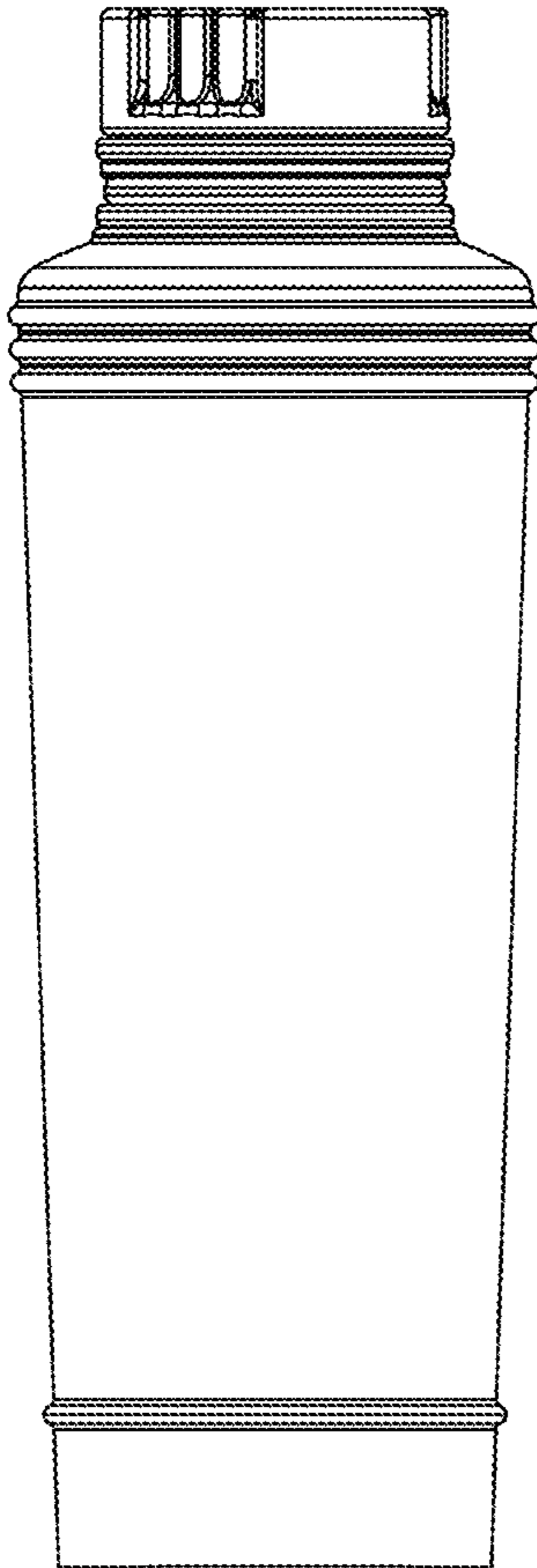


FIG. 3

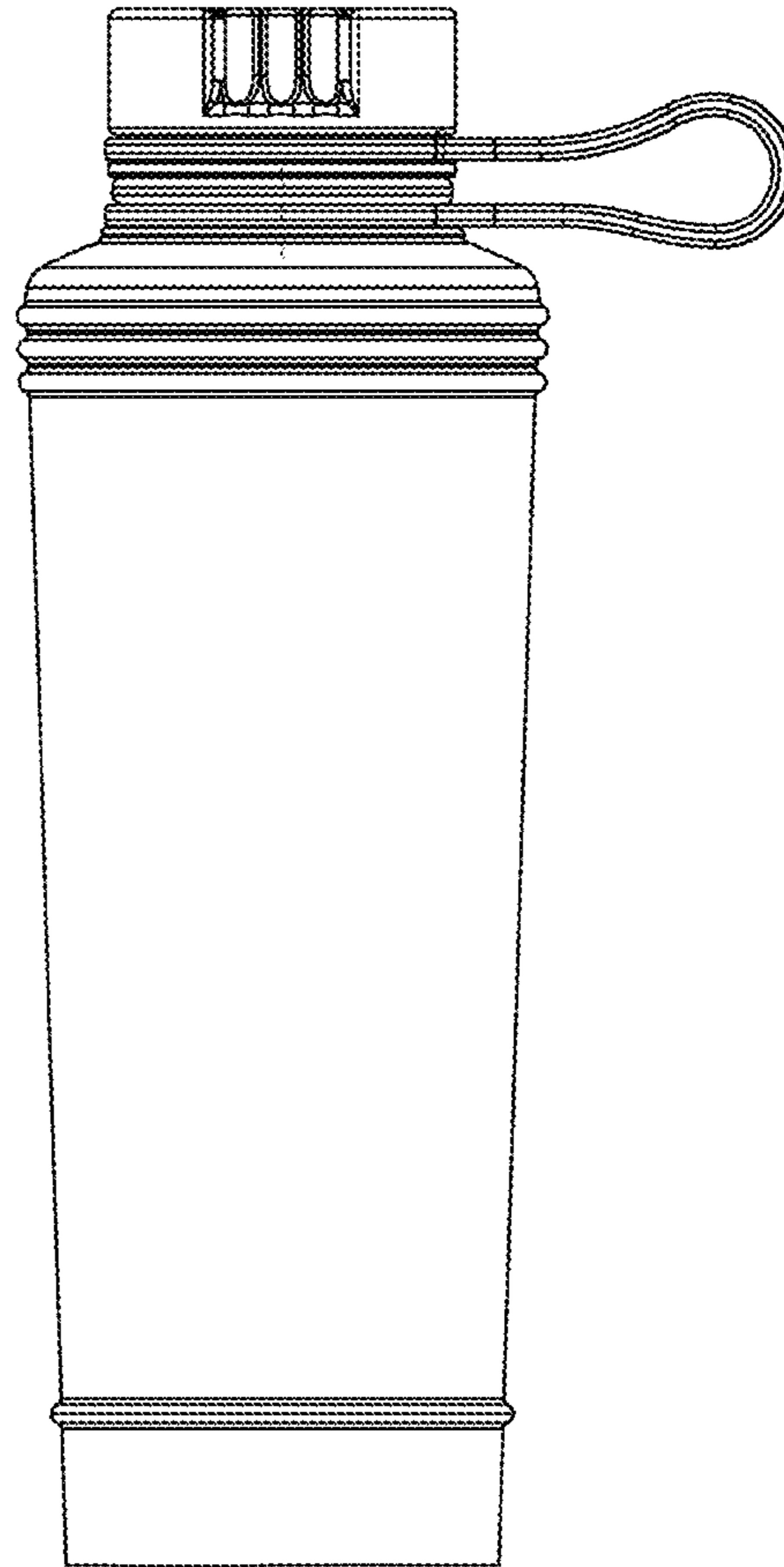


FIG. 4

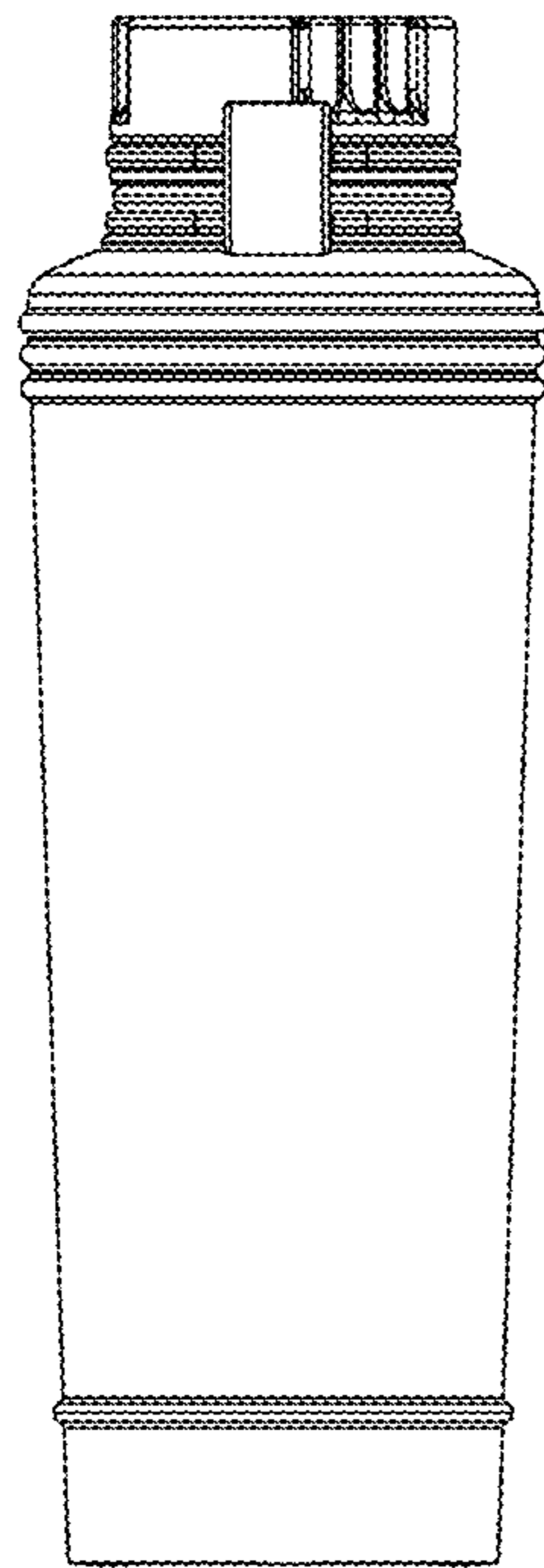


FIG. 6

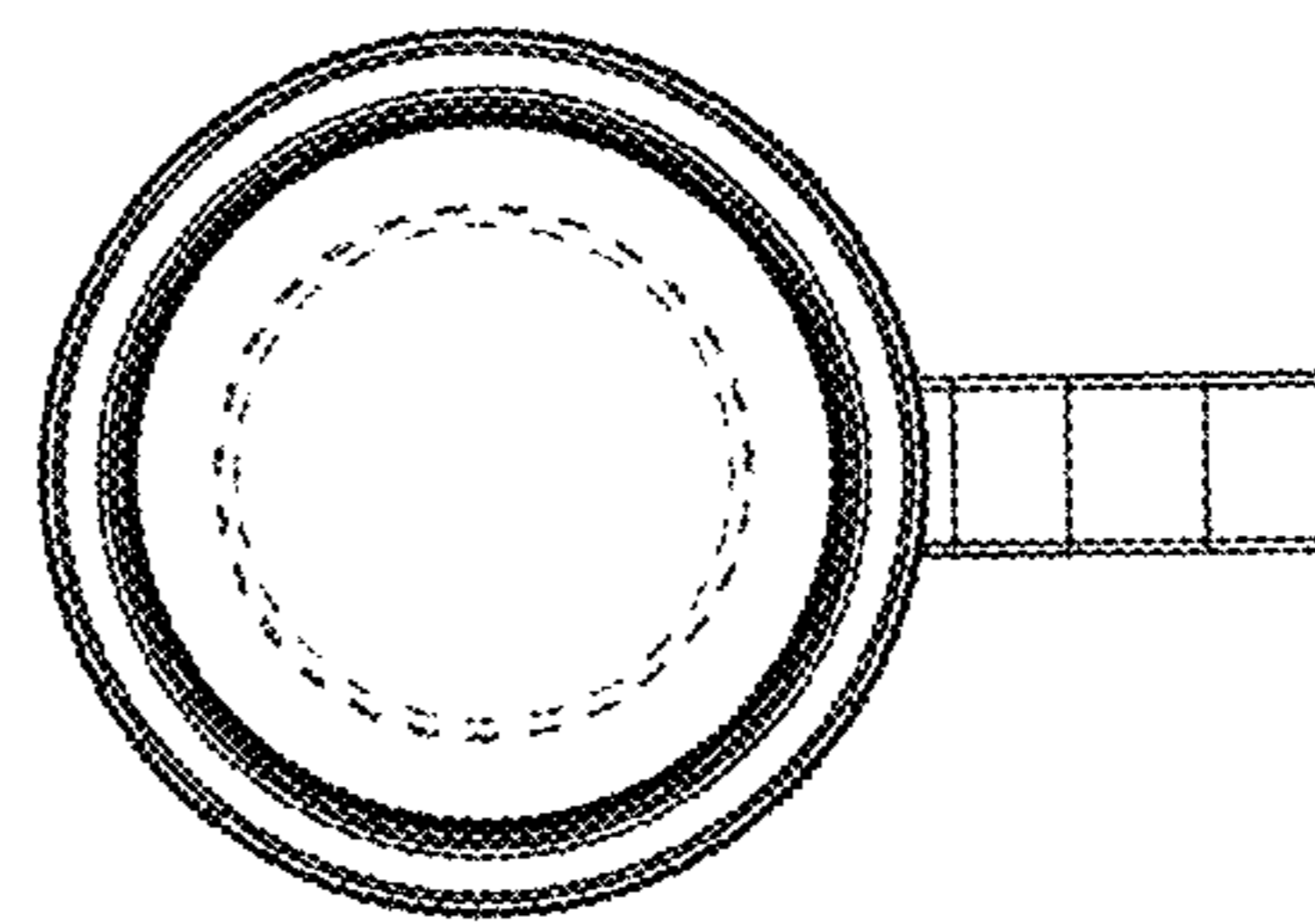


FIG. 5