

US00D812977S

(12) **United States Design Patent** (10) **Patent No.:** **US D812,977 S**
Wisniewski et al. (45) **Date of Patent:** **** Mar. 20, 2018**

(54) **DRINKING VESSEL**
(71) Applicant: **PCO GROUP GMBH**, Dassow (DE)
(72) Inventors: **Rafal Marian Wisniewski**, Koszalin (PL); **Stefan Lemke**, Pogeetz (DE)

(73) Assignee: **PCO Group GmbH**, Dassow (DE)

(**) Term: **15 Years**

(21) Appl. No.: **35/500,879**

(22) Filed: **Mar. 17, 2016**

(80) **Hague Agreement Data**

Int. Filing Date: **Mar. 17, 2016**
Int. Reg. No.: **DM/090216**
Int. Reg. Date: **Mar. 17, 2016**
Int. Reg. Pub. Date: **Apr. 29, 2016**

(51) **LOC (11) Cl.** **07-01**

(52) **U.S. Cl.**
USPC **D7/510**

(58) **Field of Classification Search**
USPC D7/507-511, 533, 536, 605, 900, 392,
D7/392.1, 396.2; D9/503, 504, 447, 449
CPC . A47G 19/2272; A47G 19/2288; B65D 43/02
See application file for complete search history.

(56) **References Cited**

U.S. PATENT DOCUMENTS

D181,199 S * 10/1957 Jocelyn D7/392
D354,198 S * 1/1995 Chiang D7/314
5,415,312 A * 5/1995 Mueller B65D 47/089
220/254.3
D359,687 S * 6/1995 Arshinoff D9/447
D363,671 S * 10/1995 Mueller D7/392.1
D373,928 S * 9/1996 Green D7/392.1
D423,354 S * 4/2000 Lin D32/31

D436,292 S * 1/2001 Betras D7/510
D571,613 S * 6/2008 Gilbert D7/509
D630,094 S * 1/2011 Maxwell D9/447
D632,926 S * 2/2011 Gilbert D7/510
D717,601 S * 11/2014 Dixon D7/510
D778,112 S * 2/2017 Szymanski D7/510

* cited by examiner

Primary Examiner — Sheryl Lane
Assistant Examiner — Nicole Shiflet
(74) *Attorney, Agent, or Firm* — Lempia Summerfield
Katz LLC

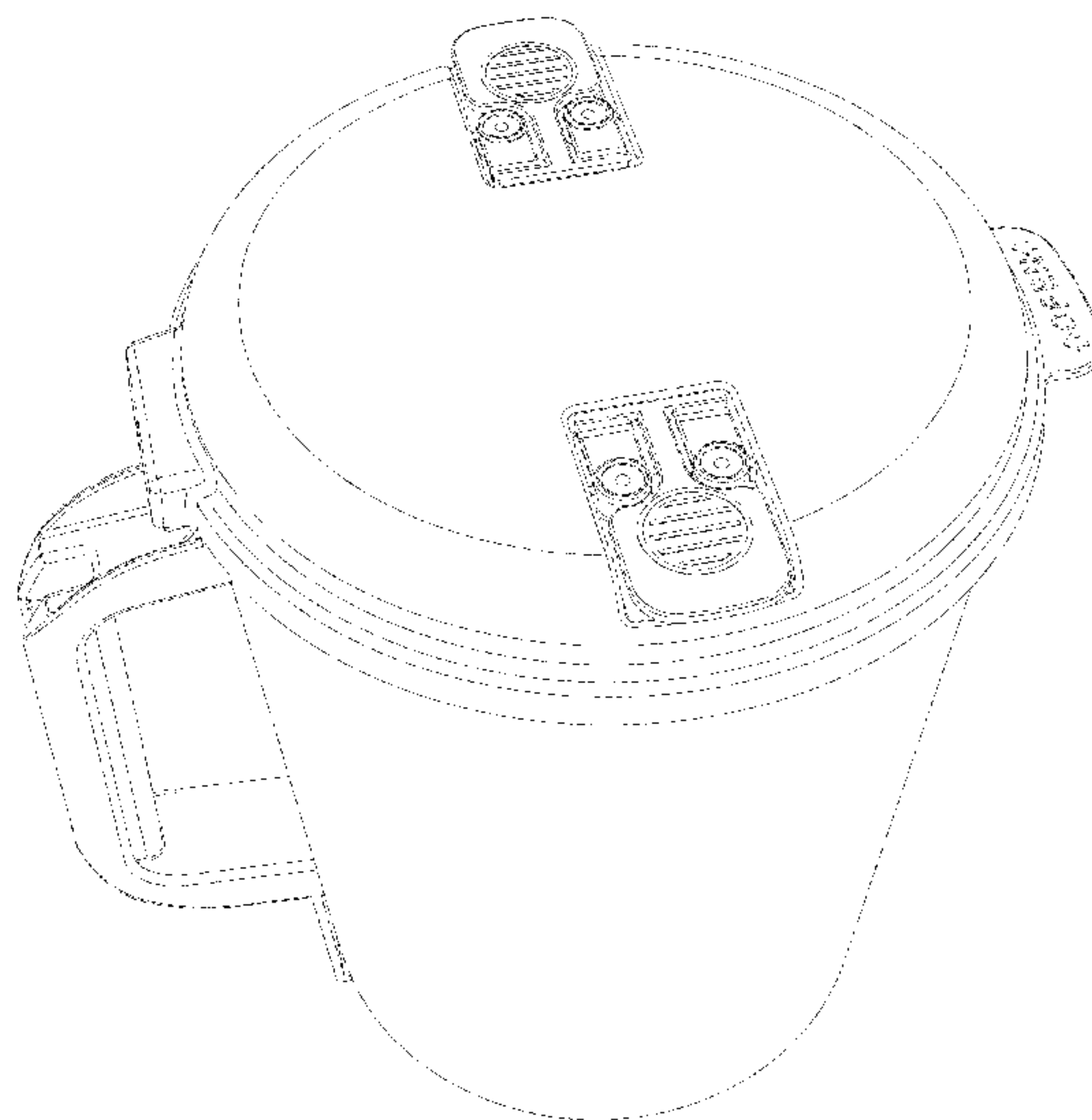
(57) **CLAIM**

The ornamental design for a drinking vessel, as shown and described.

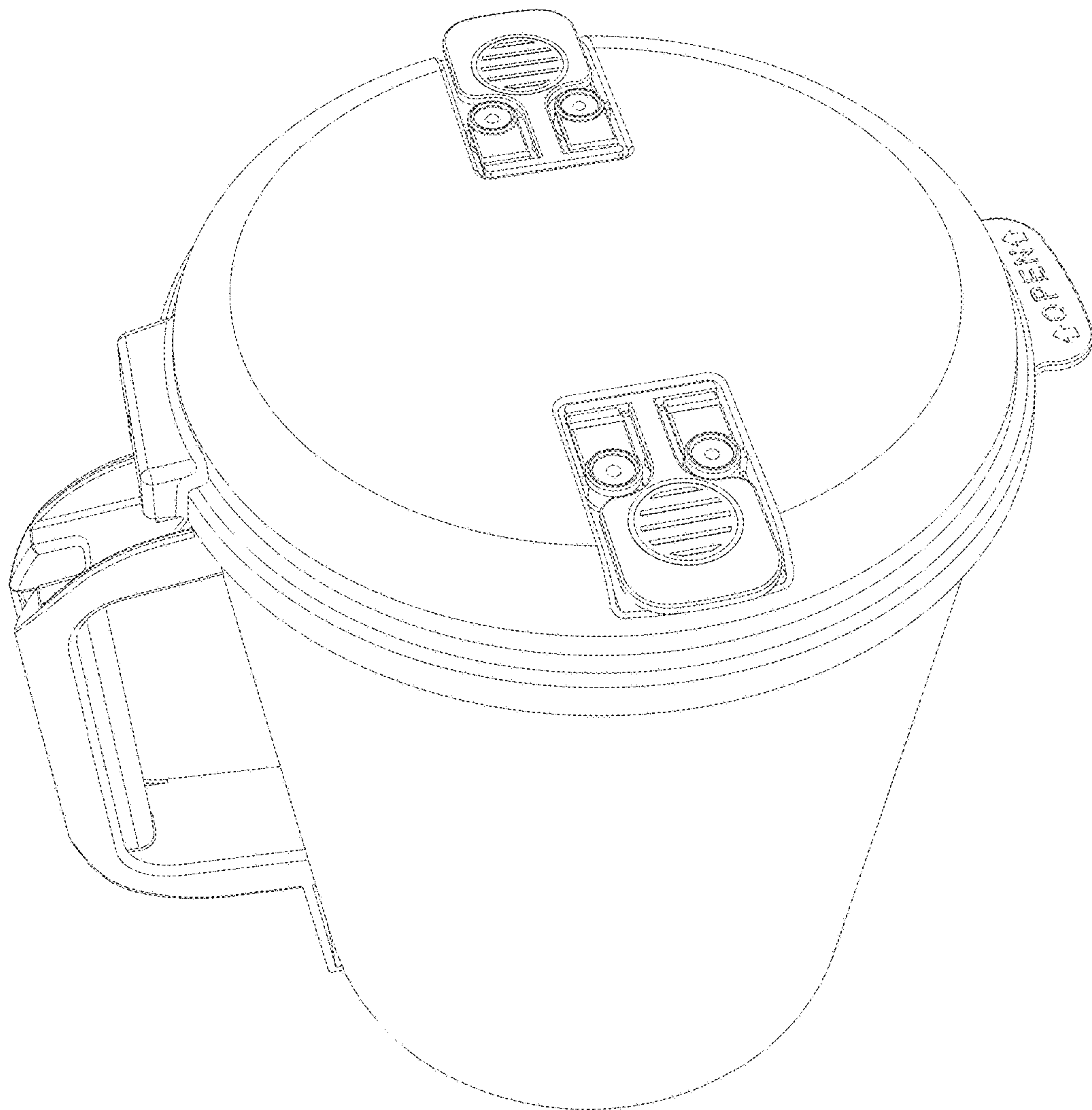
DESCRIPTION

1. Drinking vessel
1.1 : Top left perspective with lid on and closed
1.2 : Front right perspective with lid on and closed
1.3 : Right rear perspective with lid on and closed
1.4 : Bottom right perspective with lid on and closed
1.5 : Top rear perspective with lid on and open
1.6 : Left side with lid on and closed
1.7 : Right side with lid on and closed
1.8 : Front with lid on and closed
1.9 : Rear with lid on and closed
1.10 : Top with lid on and closed
1.11 : Bottom with lid on
1.12 : Top right perspective with lid removed
1.13 : Top with lid removed
1.14 : Right side with lid removed
1.15 : Rear with lid removed
The broken lines in FIGS. 1.1-1.5, 1.9-1.11, 1.13, and 1.15 depicting a straw and portions of the article represent environmental subject matter and do not form a part of the claimed design.

1 Claim, 15 Drawing Sheets



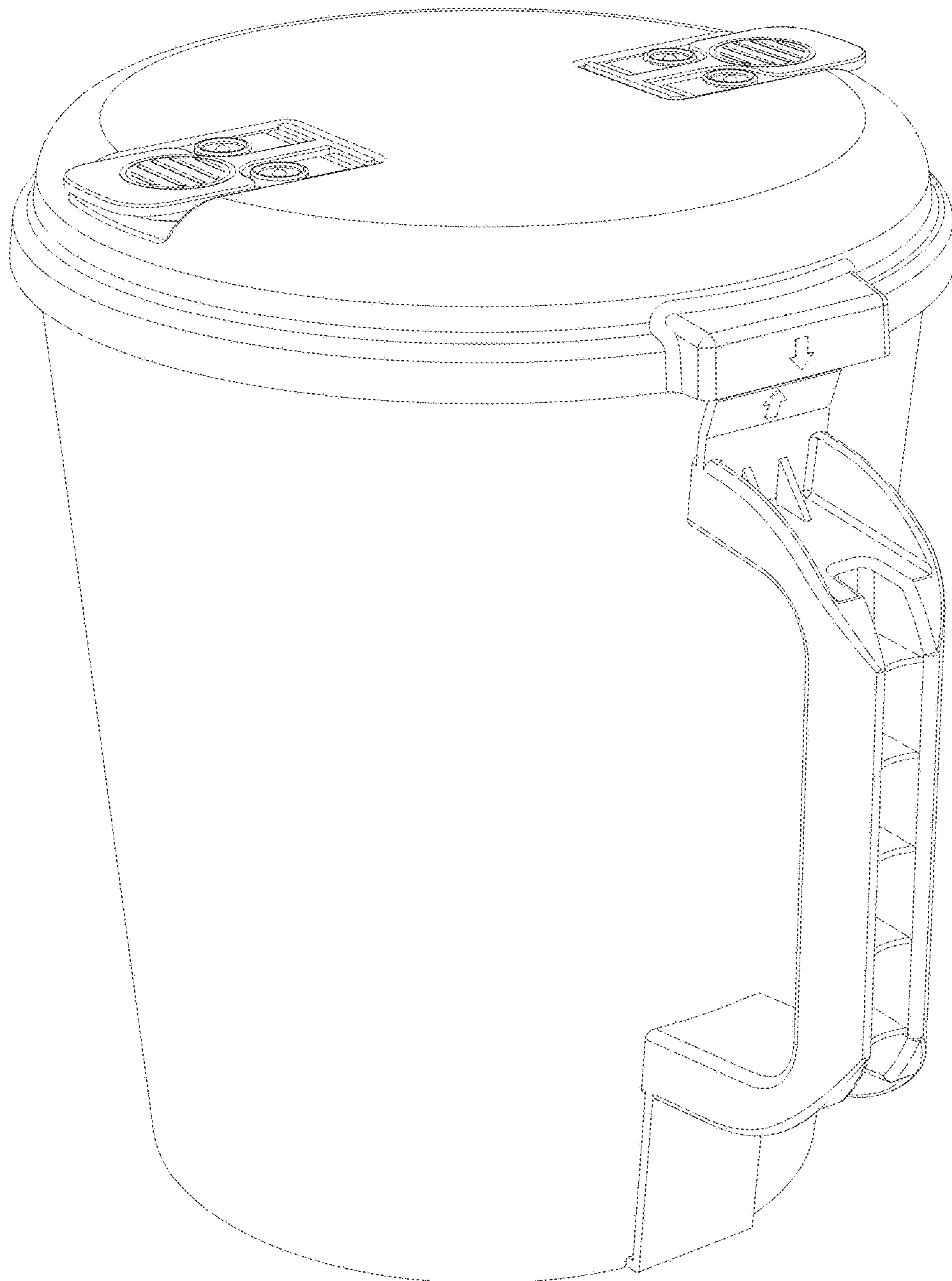
1.1



1.2



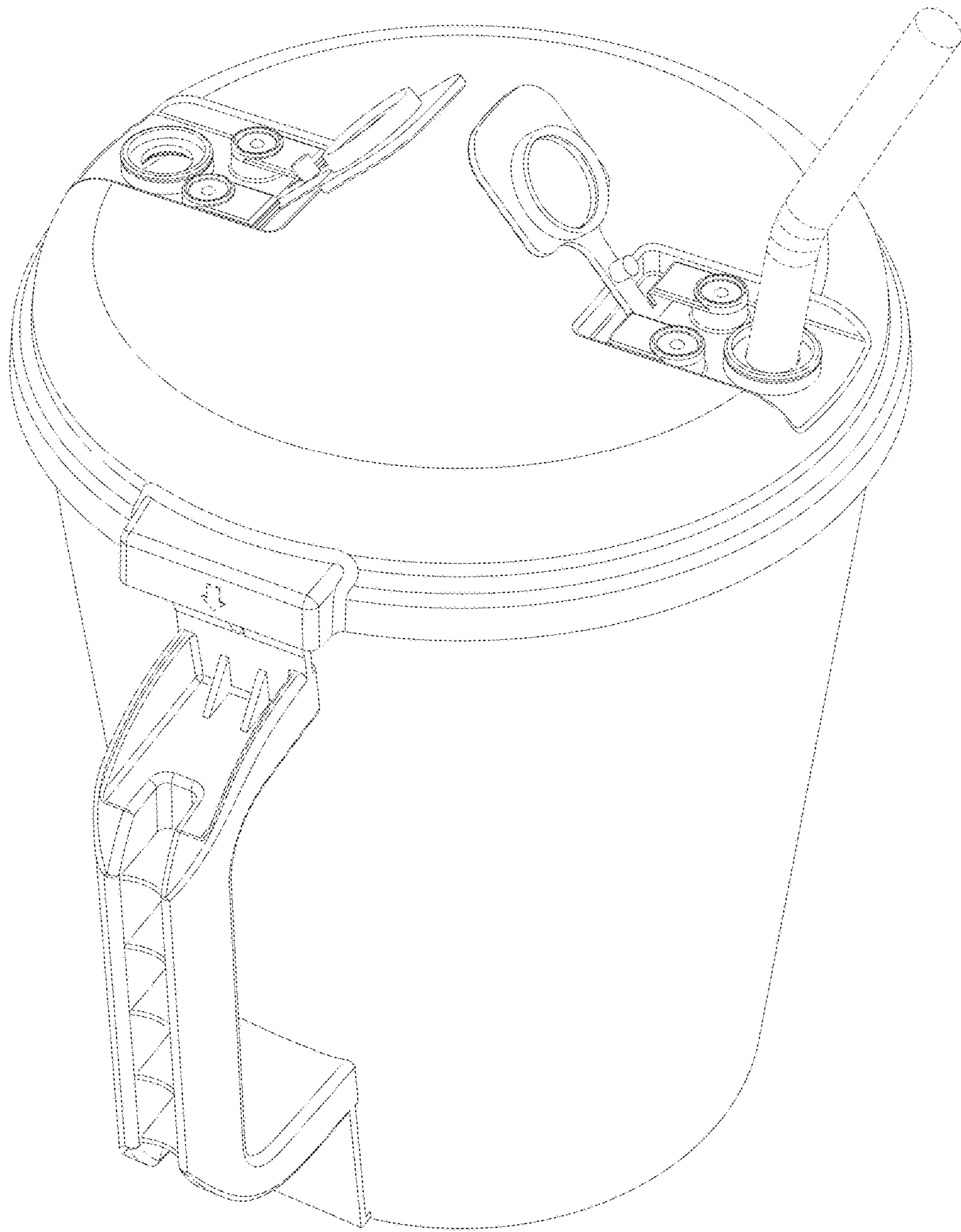
1.3



1.4



1.5



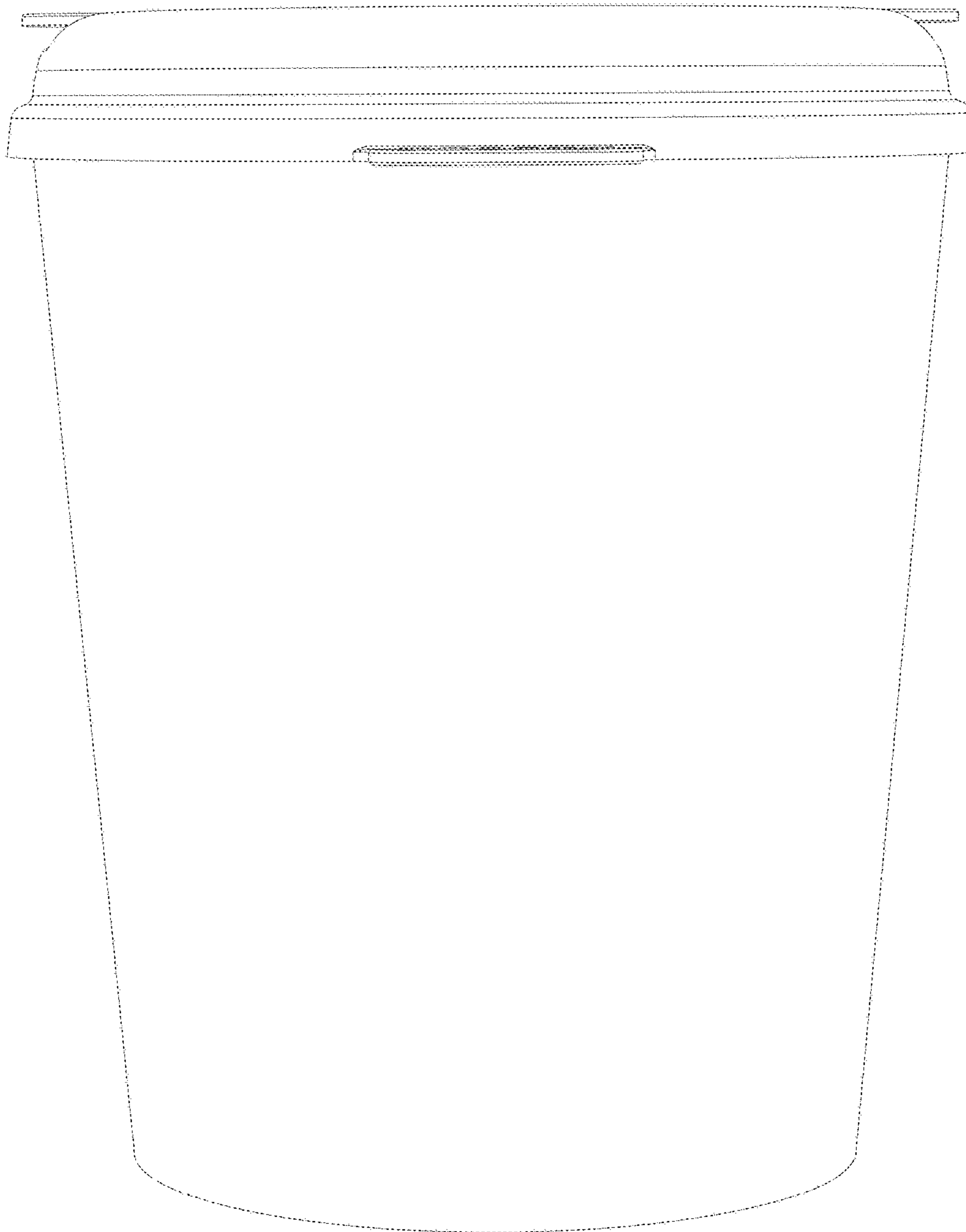
1.6



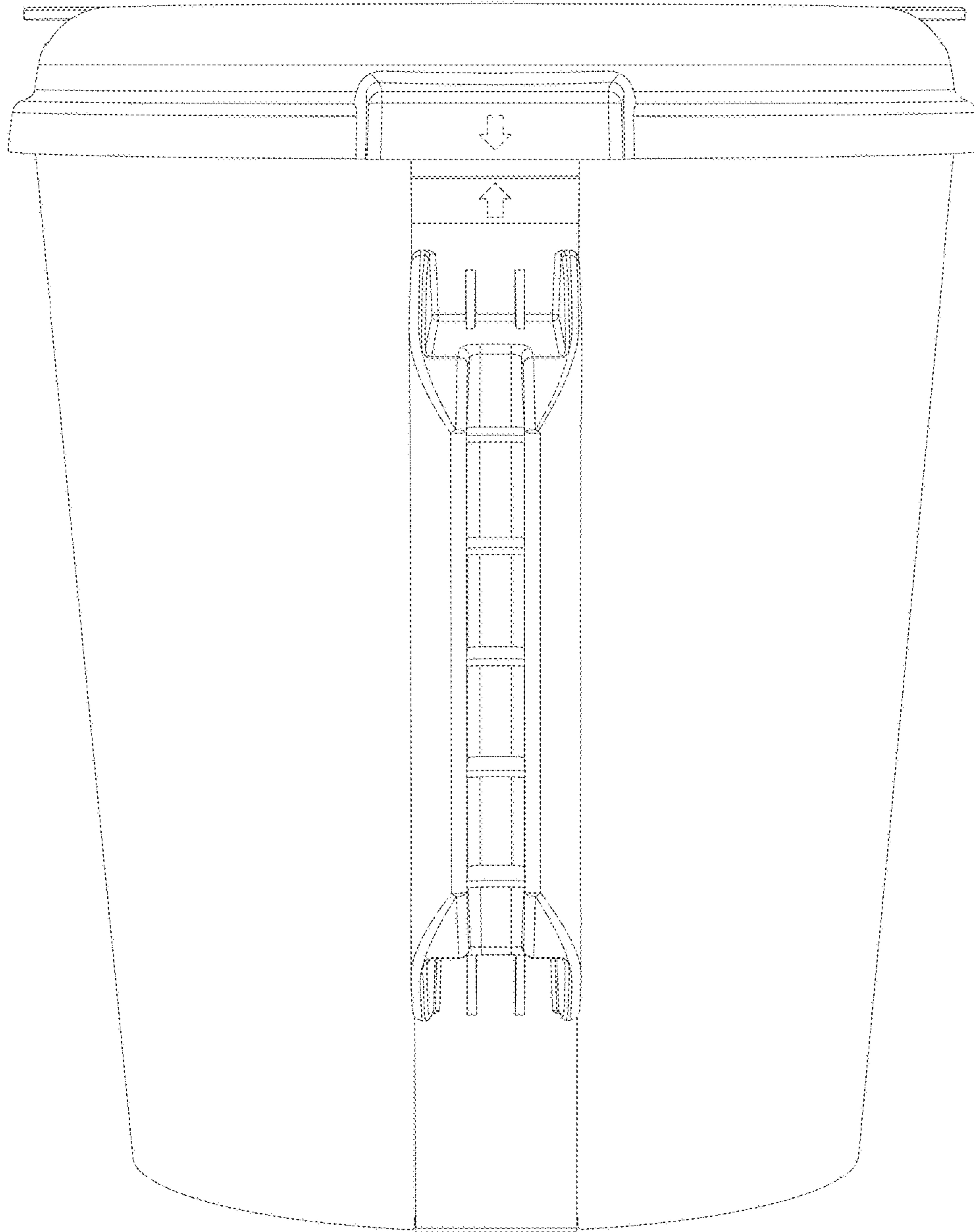
1.7



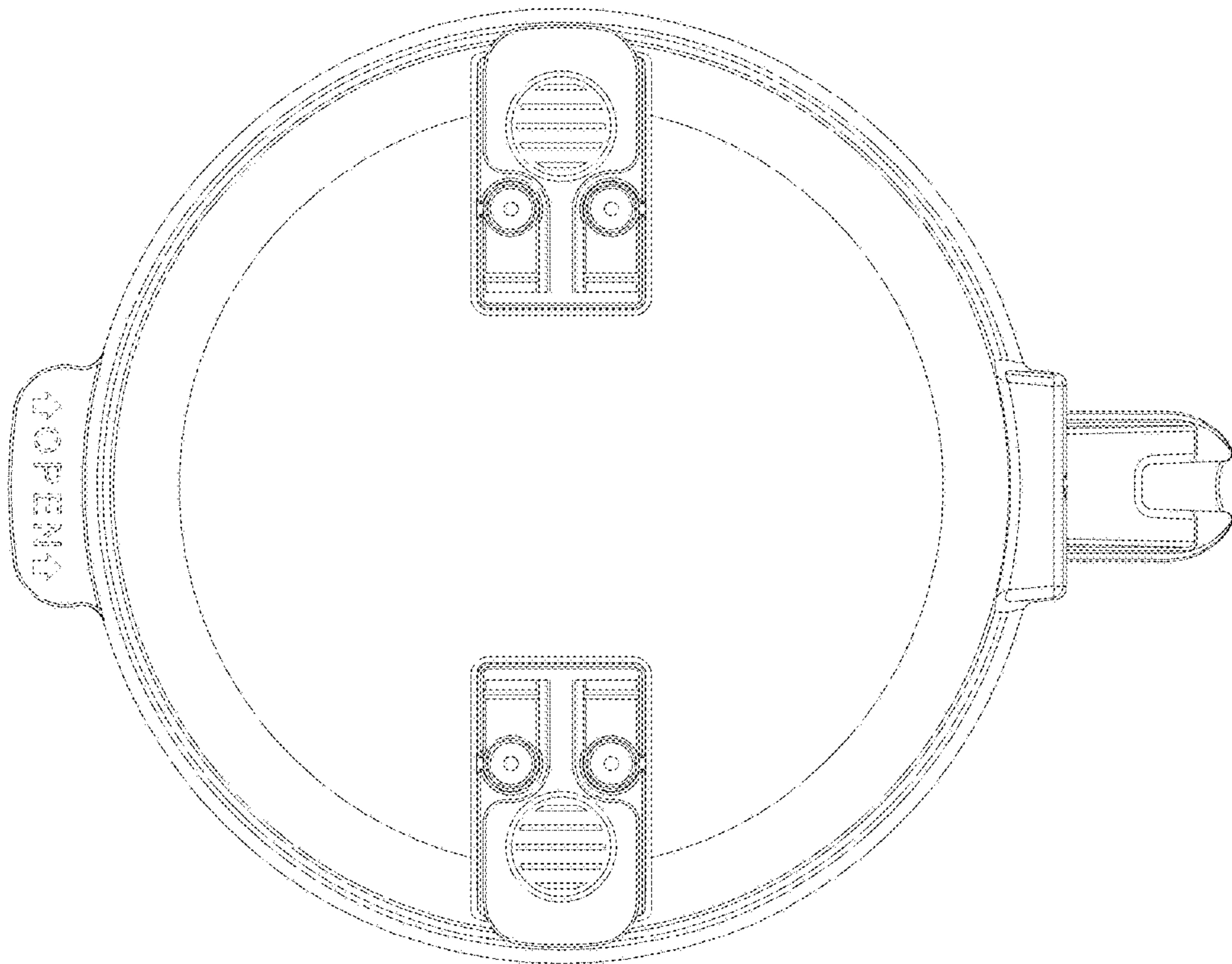
1.8



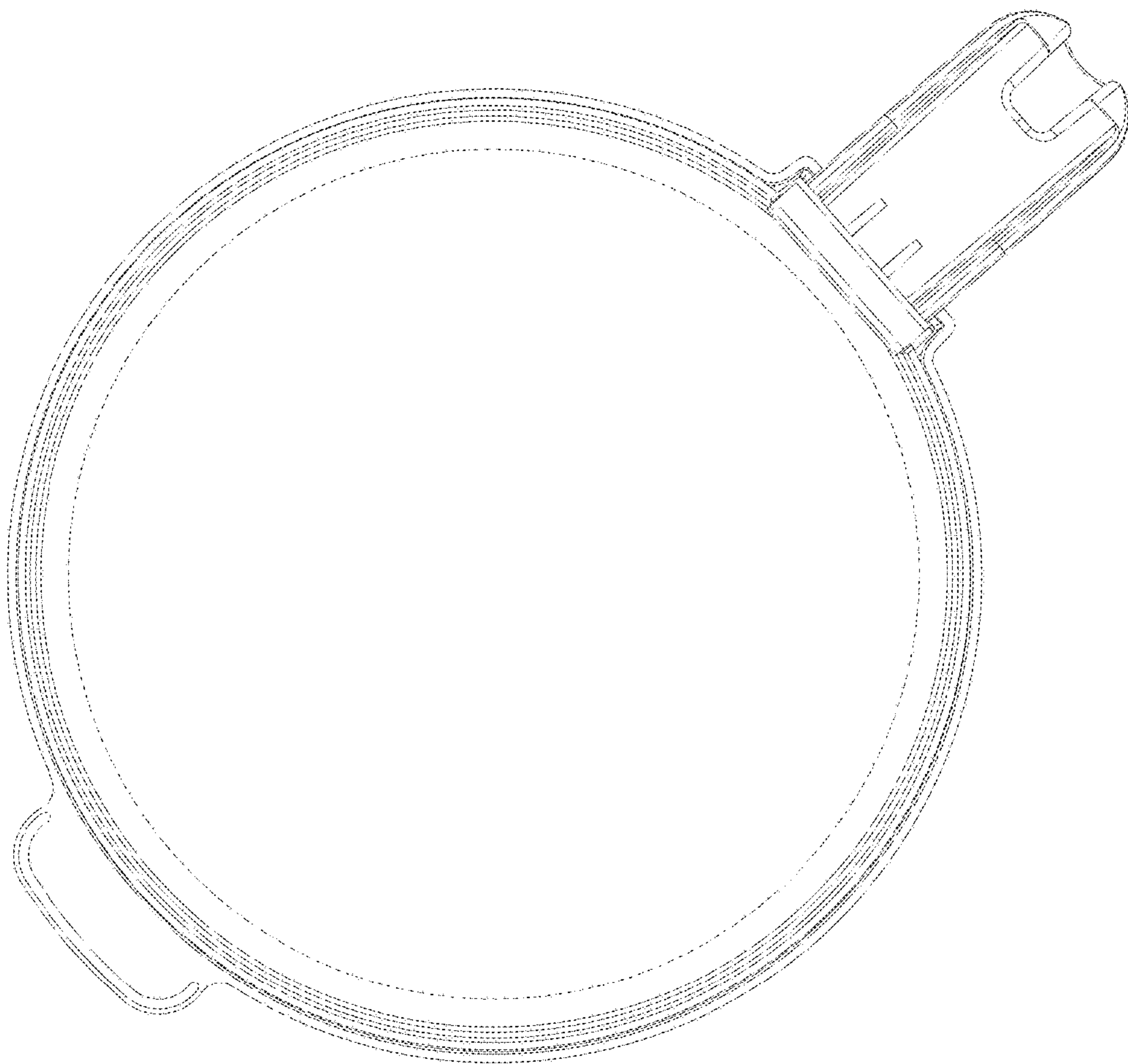
1.9



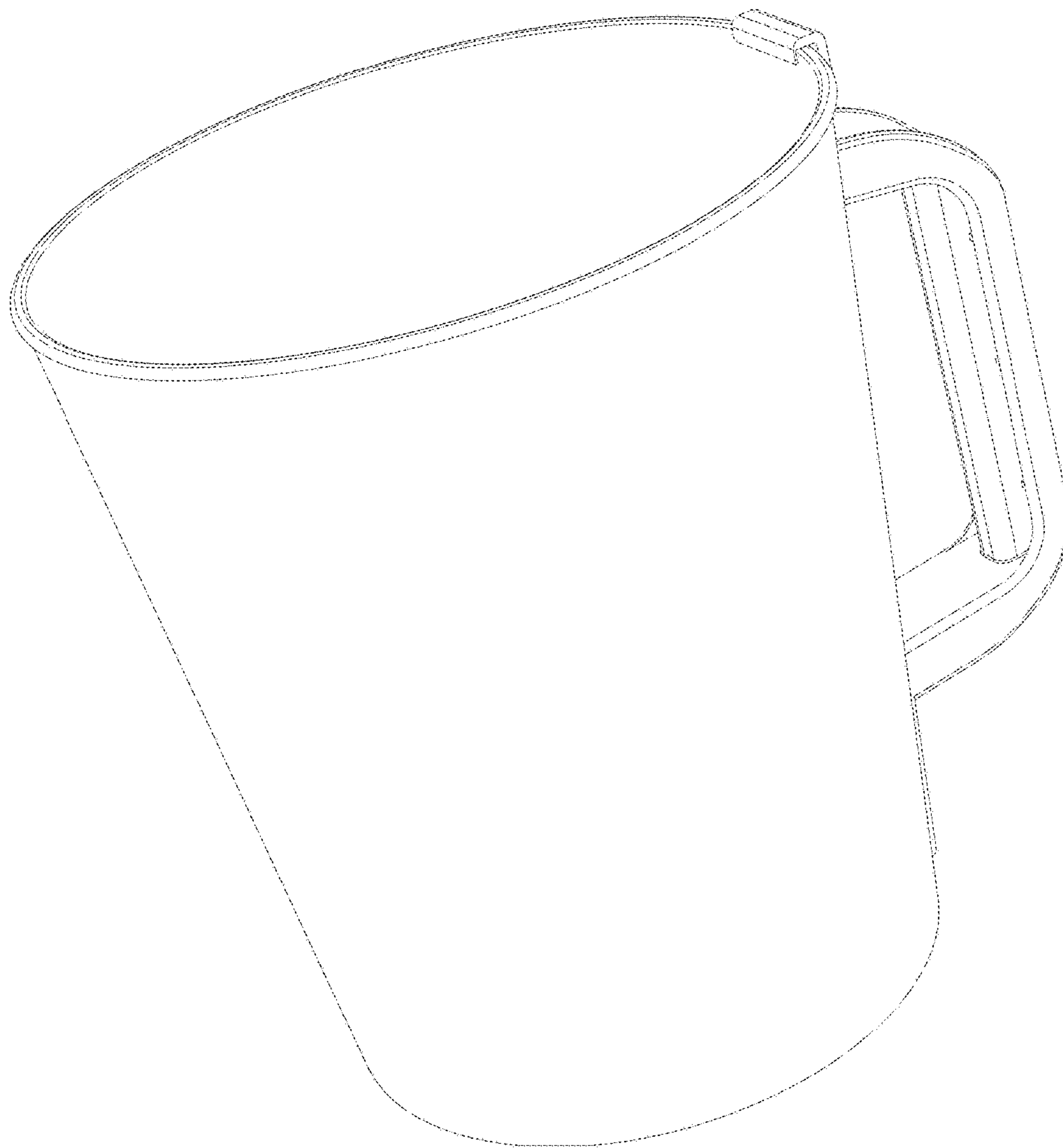
1.10



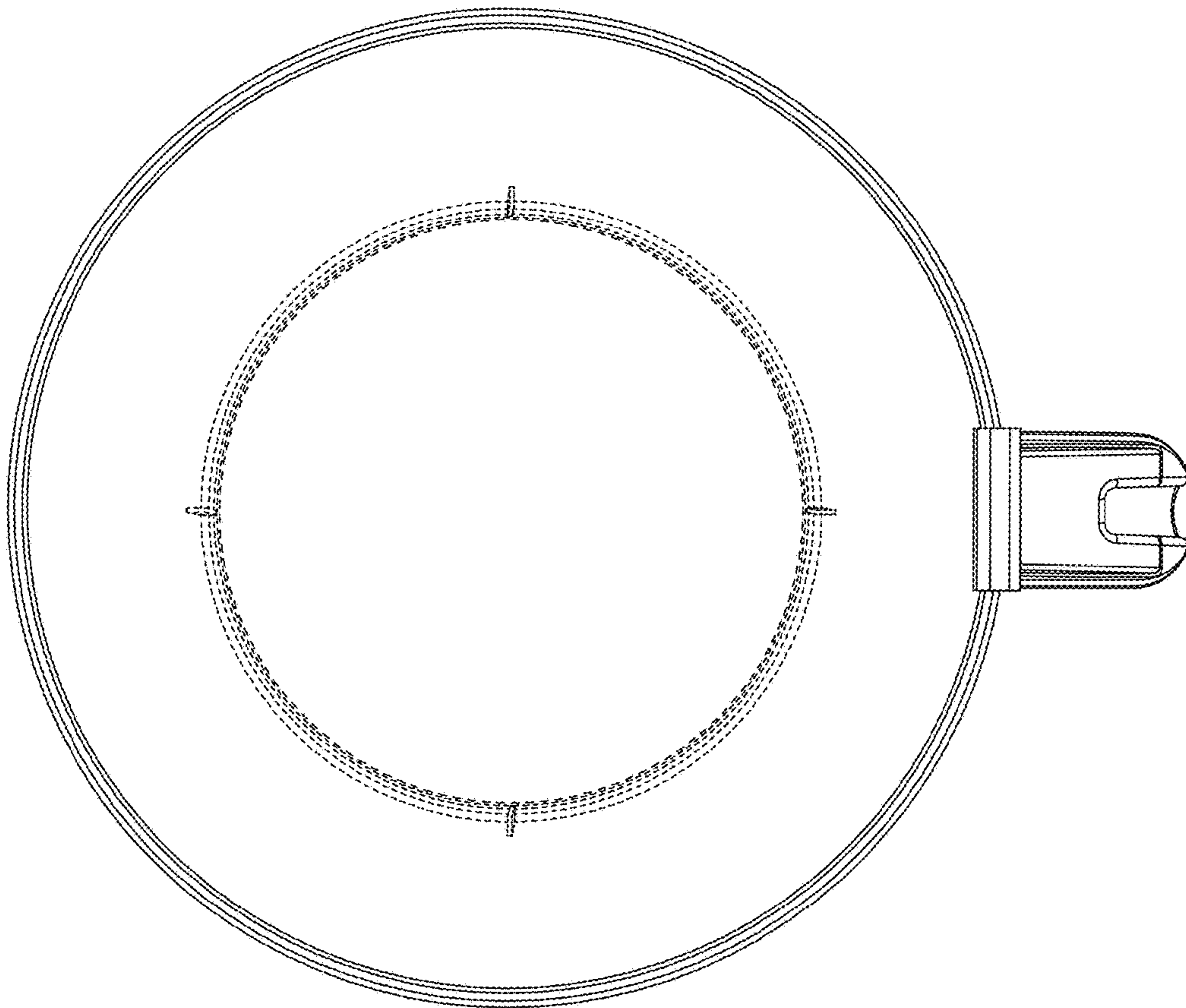
1.11



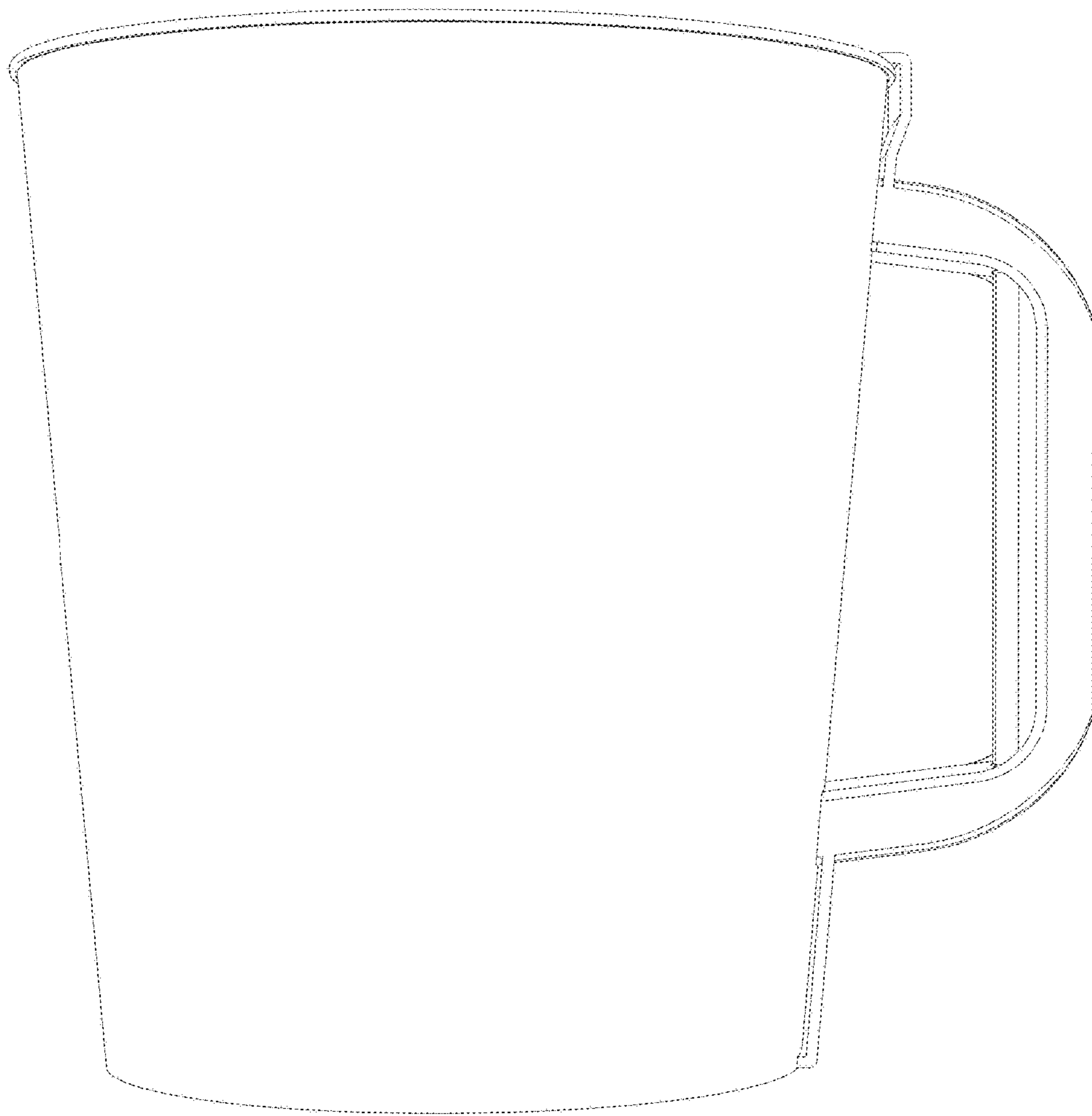
1.12



1.13



1.14



1.15

