

US00D812976S

(12) **United States Design Patent**  
**Schlesinger et al.**

(10) **Patent No.:** **US D812,976 S**  
(45) **Date of Patent:** **\*\* Mar. 20, 2018**

- (54) **BEVERAGE CONTAINER**
- (71) Applicant: **Instant Cocktail LLC**, Seattle, WA (US)
- (72) Inventors: **David Schlesinger**, Seattle, WA (US); **Brian Elrod**, Seattle, WA (US); **Duane King**, Seattle, WA (US); **Douglas Garrett Gibson**, Seattle, WA (US); **Shawn Filer**, Seattle, WA (US); **Stewart Kelpe**, Seattle, WA (US)
- (73) Assignee: **Instant Cocktail LLC**, Seattle, WA (US)
- (\*\*) Term: **14 Years**

2,374,092 A	4/1945	Glaser	
4,170,316 A *	10/1979	LaBarbera	..... B29C 45/4421 220/799
D364,566 S *	11/1995	Douer	..... D9/436
D384,236 S *	9/1997	Douer	..... D7/300.1
D489,627 S *	5/2004	Klitsner	..... D7/300.1
D499,342 S *	12/2004	Klitsner	..... D7/300.1
D509,433 S *	9/2005	Trayser	..... D9/501
D527,263 S *	8/2006	Scott	..... D9/500
7,798,346 B2	9/2010	Nelson et al.	
D628,857 S *	12/2010	Tatsukawa	..... D7/608
D643,743 S *	8/2011	Yu	..... D9/689
D645,746 S *	9/2011	Yu	..... D9/445
D680,443 S *	4/2013	You	..... D9/691
D711,748 S *	8/2014	Hwang	..... D9/691
D716,659 S *	11/2014	Thompson	..... D9/500
D735,052 S *	7/2015	Hwang	..... D9/690
D753,442 S *	4/2016	Weernink	..... D7/507

(Continued)

- (21) Appl. No.: **29/511,604**
- (22) Filed: **Dec. 11, 2014**
- (51) **LOC (11) Cl.** ..... **07-01**
- (52) **U.S. Cl.**  
USPC ..... **D7/510**; D7/511; D7/523; D7/532;  
D9/503
- (58) **Field of Classification Search**  
USPC ..... D7/507, 509, 510, 511, 512, 513, 523,  
D7/529, 530, 531, 532, 608, 300, 300.1,  
D7/591, 598, 312, 392.1, 396.2, 398;  
D9/501, 502, 500, 503, 505, 516, 523,  
D9/530, 537, 546, 550, 552, 563, 565,  
D9/569, 571, 434, 447, 440; D3/202;  
220/592.16, 592.17, 200, 703  
CPC ..... A45F 3/16; B65D 47/066; A47G 19/2272;  
A47G 19/2266; A47J 43/27  
See application file for complete search history.

*Primary Examiner* — Marianne Pandozzi  
*Assistant Examiner* — Jae Liang  
 (74) *Attorney, Agent, or Firm* — Davis Wright Tremain  
 LLP

(57) **CLAIM**

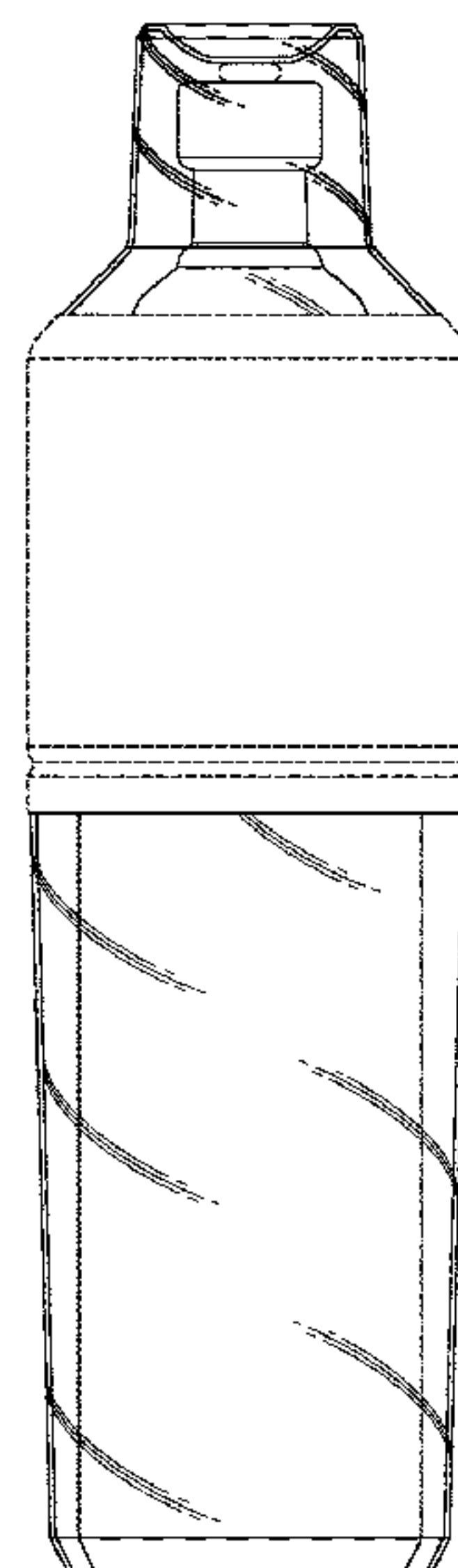
The ornamental design for a beverage container, as shown and described.

**DESCRIPTION**

FIG. 1 is an isometric view of a beverage container showing our new design;  
 FIG. 2 is a front elevational view thereof at an enlarged scale;  
 FIG. 3 is rear elevational view of FIG. 2;  
 FIG. 4 is a left side elevational view of FIG. 2;  
 FIG. 5 is a right side elevational view of FIG. 2;  
 FIG. 6 is a top plan view of FIG. 2; and,  
 FIG. 7 is a bottom plan view of FIG. 2.  
 The broken lines in the drawing depict portions of the beverage container that form no part of the claimed design.

- (56) **References Cited**  
U.S. PATENT DOCUMENTS  
1,725,265 A 8/1929 Glendinning  
1,903,312 A 4/1933 Ellis

**1 Claim, 3 Drawing Sheets**



(56)

**References Cited**

U.S. PATENT DOCUMENTS

D767,930 S \* 10/2016 Gamelli ..... D7/300.1  
D777,575 S \* 1/2017 Harada ..... D9/500  
9,642,497 B2 \* 5/2017 Schlesinger ..... A47J 43/27  
2004/0066705 A1 \* 4/2004 Linz ..... A47J 43/27  
366/130  
2008/0023348 A1 1/2008 Herzog et al.  
2013/0098784 A1 4/2013 Spendlow et al.

\* cited by examiner

FIG. 1

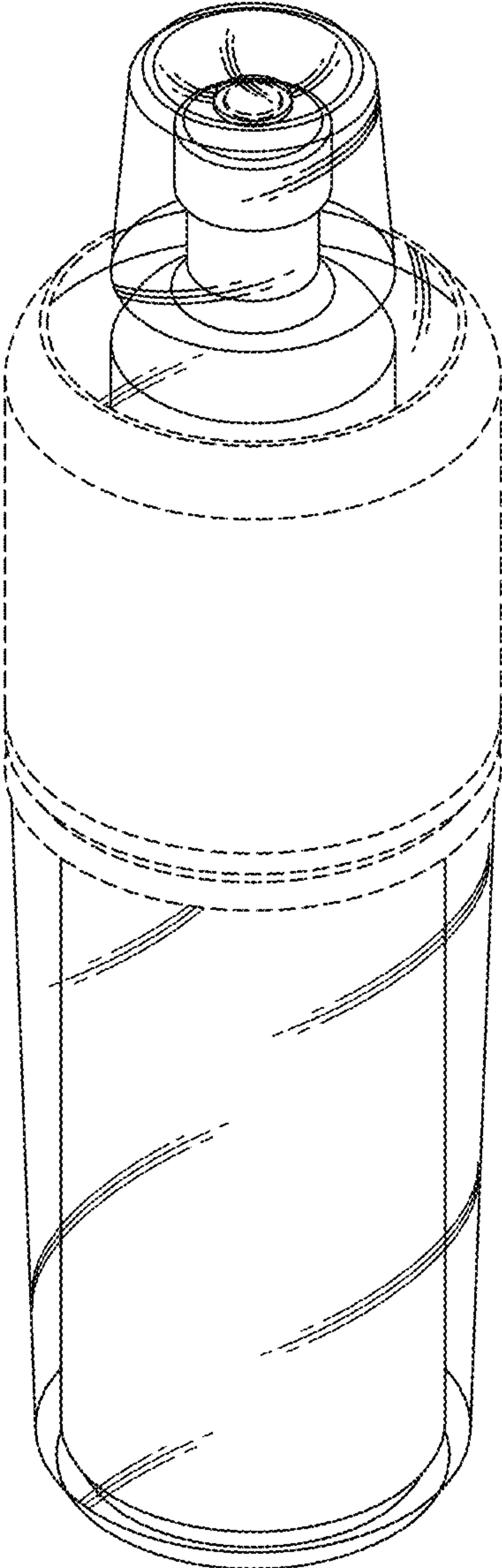


FIG. 2

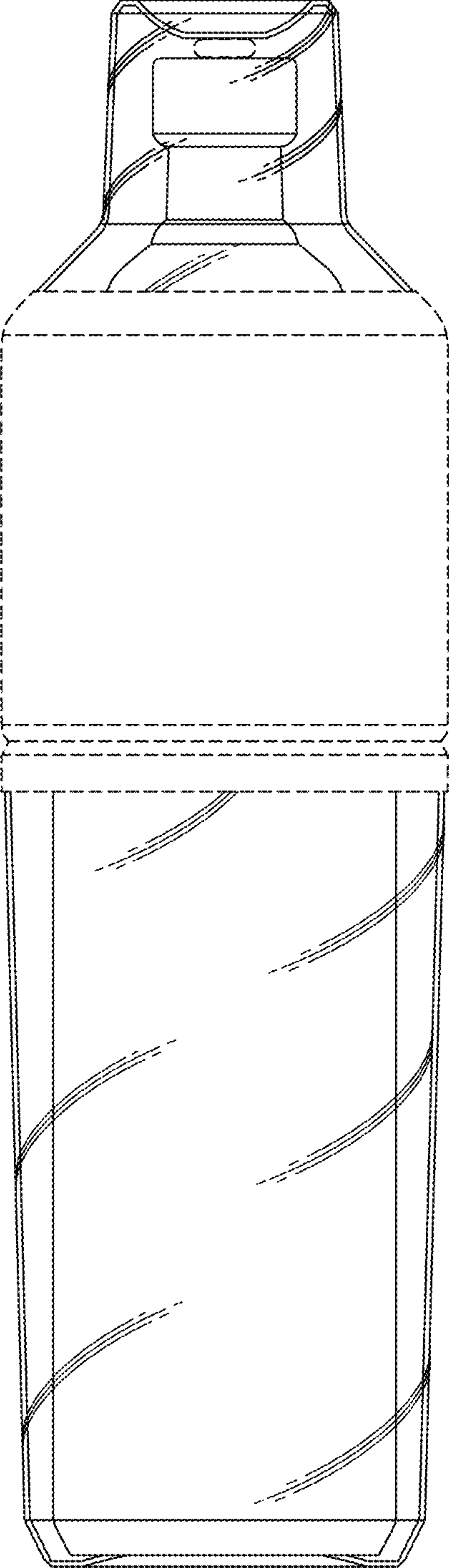


FIG. 3

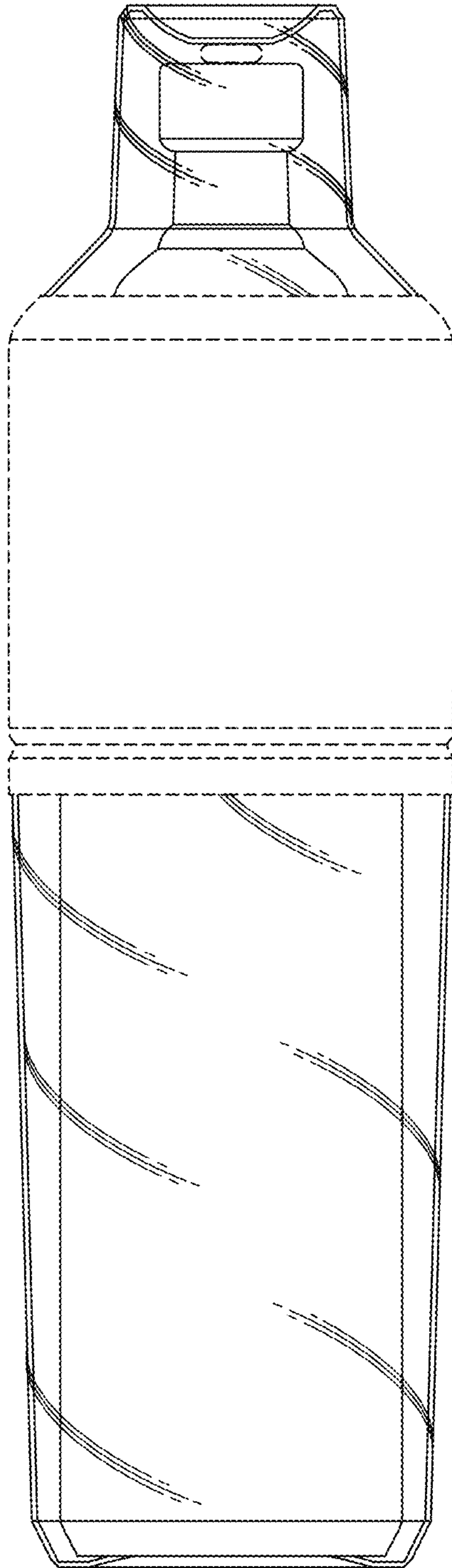


FIG. 4

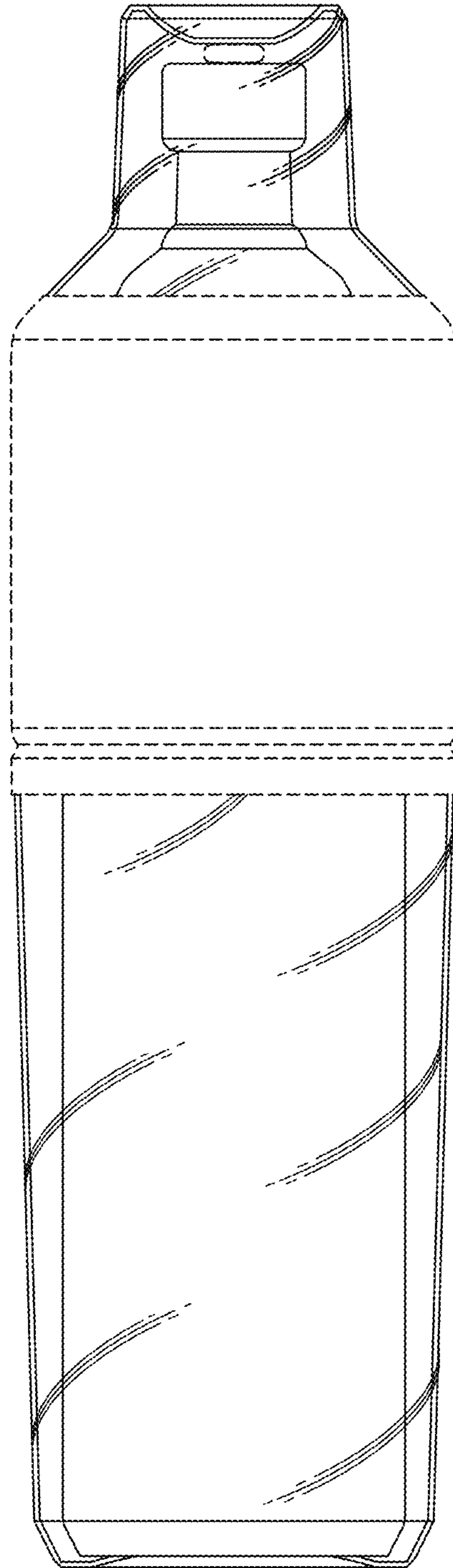




FIG. 5

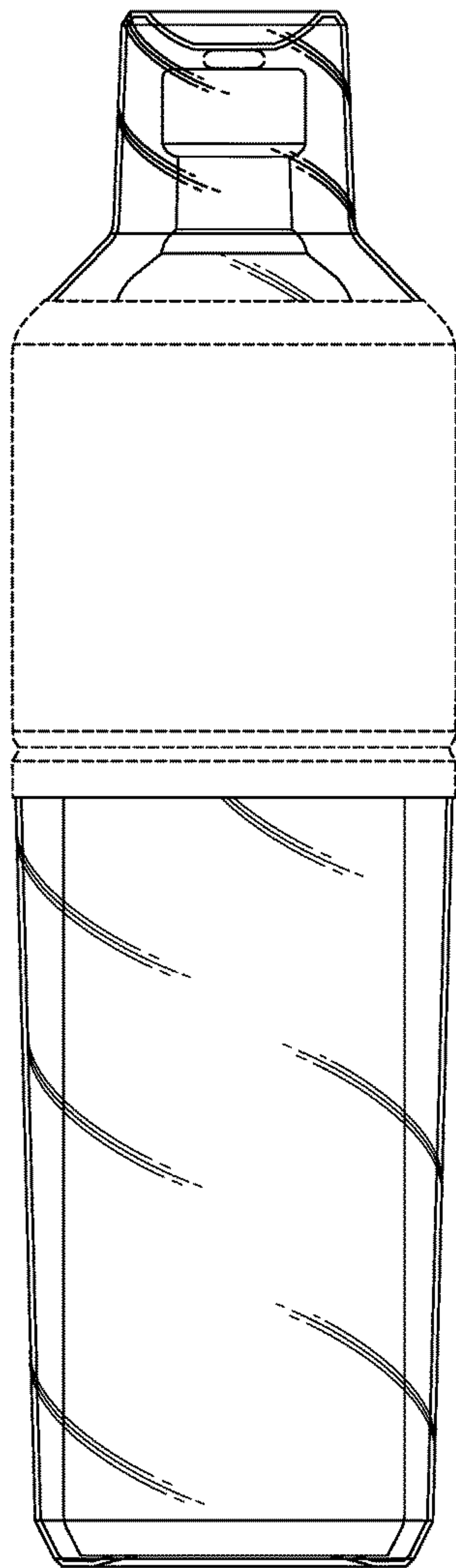


FIG. 6

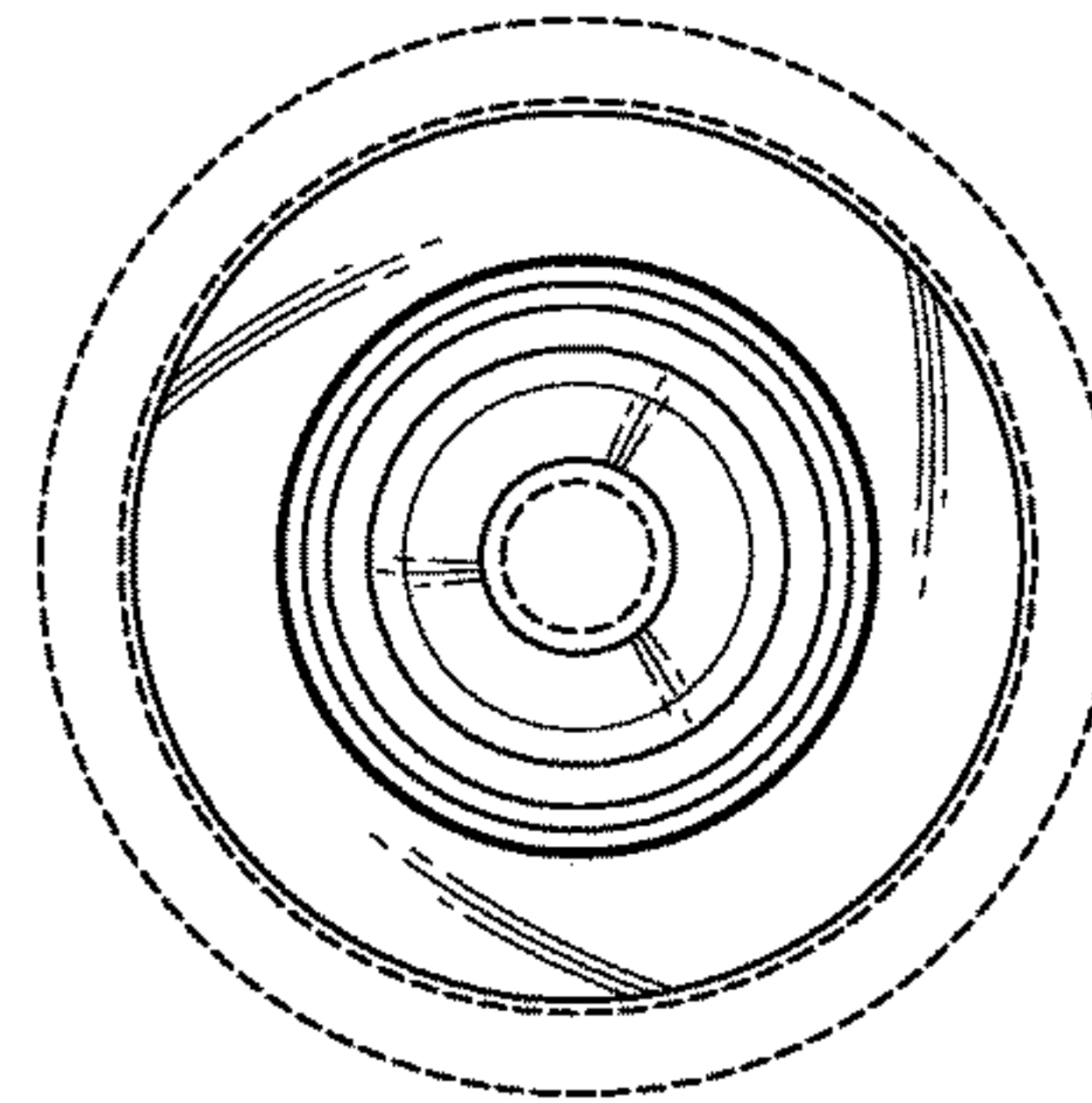


FIG. 7

