



US00D812974S

(12) **United States Design Patent**
Affatato et al.

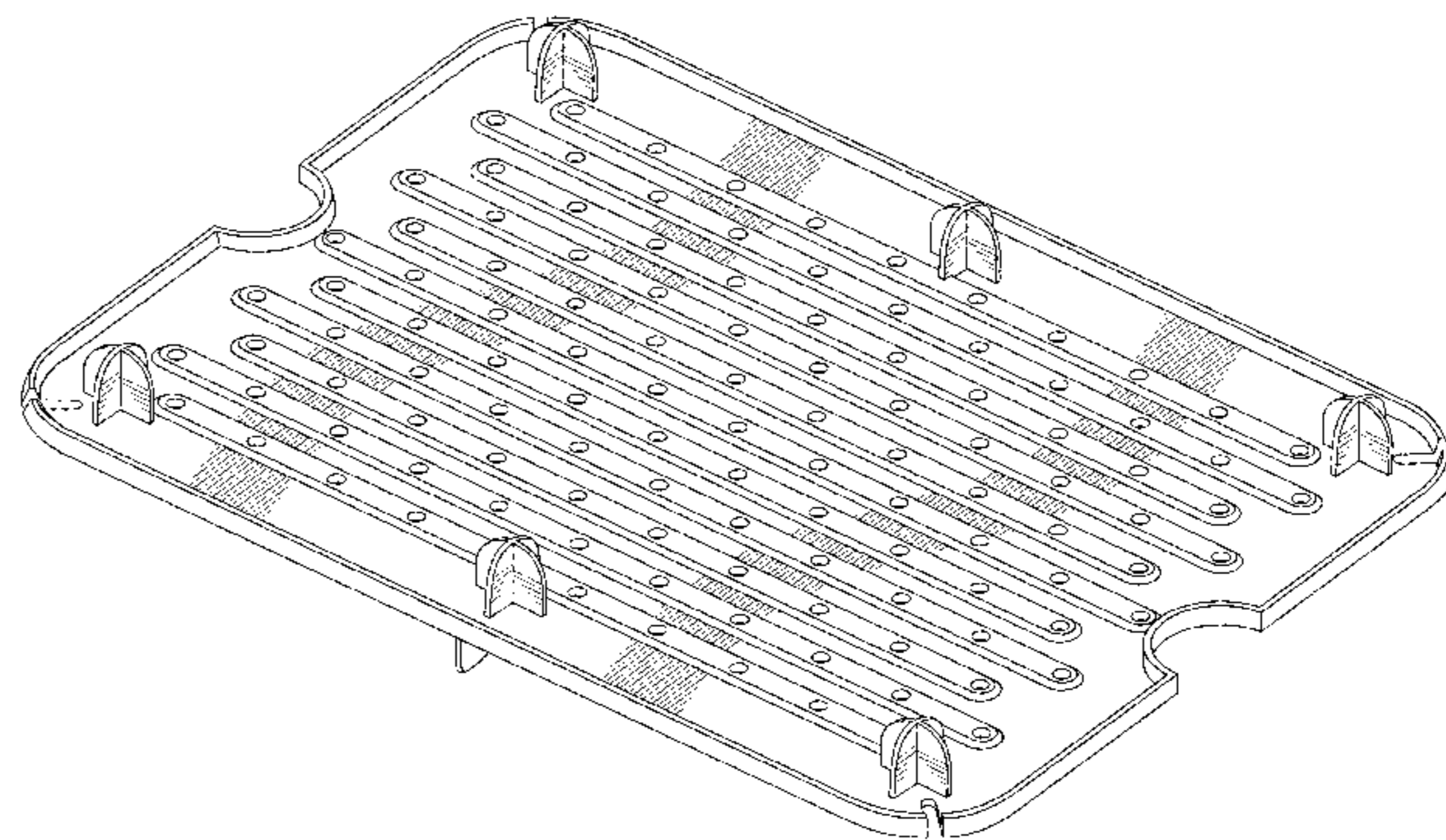
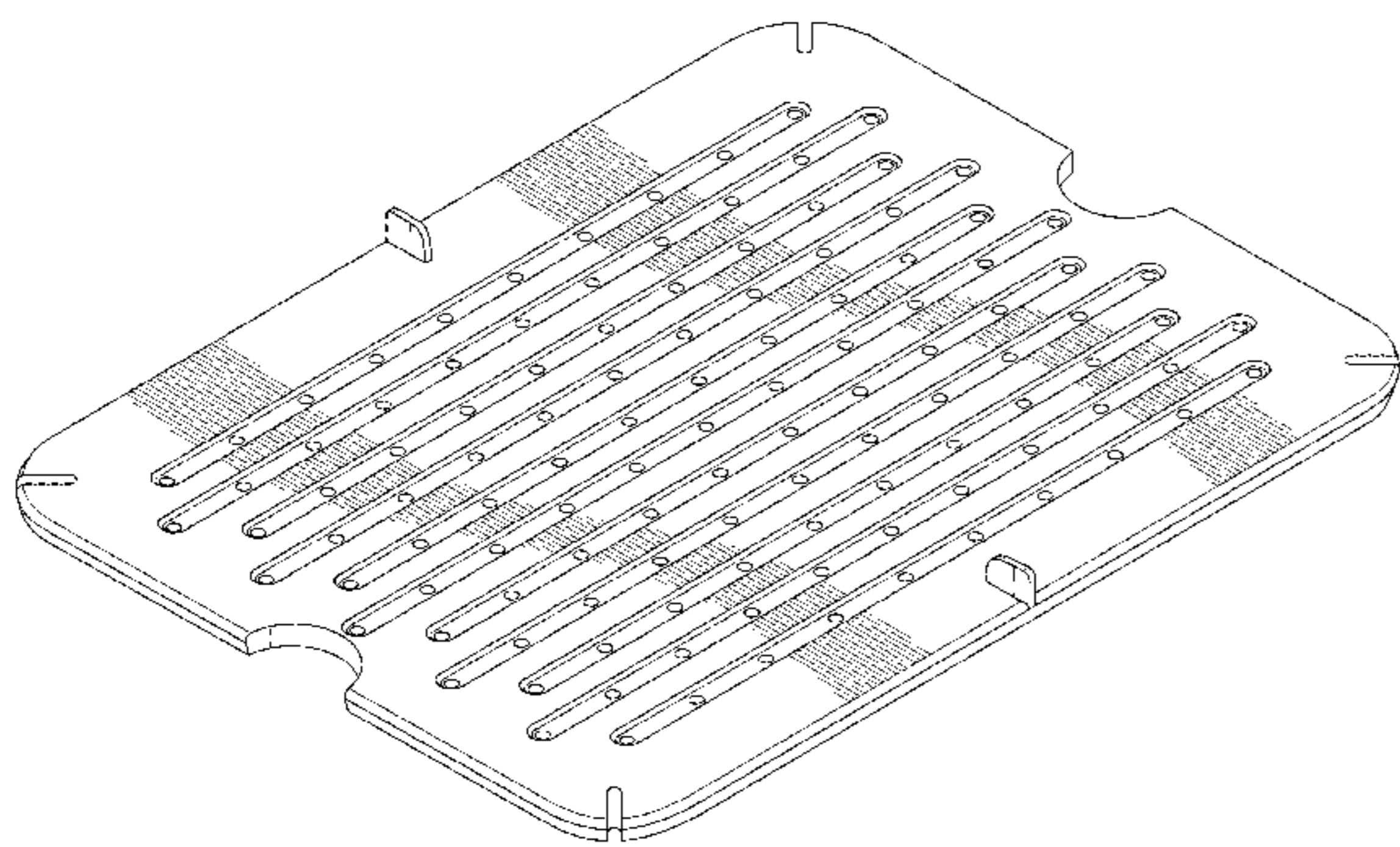
(10) **Patent No.:** **US D812,974 S**
(45) **Date of Patent:** **** Mar. 20, 2018**

- (54) **STEAMER PLATE**
- (71) Applicant: **CNA International Inc.**, Wood Dale, IL (US)
- (72) Inventors: **Kristin Marie Affatato**, Elmhurst, IL (US); **Steve Cho**, Chicago, IL (US); **Hyunchul Kim**, Chicago, IL (US); **Michael Prince**, Chicago, IL (US)
- (73) Assignee: **CNA INTERNATIONAL INC.**, Wood Dale, IL (US)
- (**) Term: **15 Years**
- (21) Appl. No.: **29/572,912**
- (22) Filed: **Aug. 1, 2016**
- (51) **LOC (11) Cl.** **07-02**
- (52) **U.S. Cl.**
USPC **D7/409**
- (58) **Field of Classification Search**
USPC D3/323; D6/601; D7/323, 332, D7/335-337, 354-355, 359-364, D7/387-388, 402, 407-409; D9/456
CPC A21B 2/00; A21B 3/00; A21B 3/13; A21B 3/15; A21B 5/00; A21B 5/02; A23N 12/06; A23N 12/08; A23N 12/10; A47J 37/00; A47J 37/04; A47J 37/041; A47J 37/042; A47J 37/06; A47J 37/067; A47J 37/0688; A47J 37/0694; A47J 37/07; A47J 37/0704; A47J 37/10; A47J 47/20; A47J 2037/00; A47J 2037/06; A47J 2037/0611; A47J 2037/07; A47J 2037/0786; A47J 2037/0795; F24C 15/10; F24C 15/12; F24C 15/14; F24C 15/16; F24C 15/164; F24C 15/18
See application file for complete search history.

3,199,438 A *	8/1965	Myler	A47J 37/041	248/175
3,485,163 A	12/1969	Arita			
D272,595 S	2/1984	Chase			
4,574,776 A	3/1986	Hidle			
4,626,352 A	12/1986	Massey et al.			
D311,339 S *	10/1990	Weed	D7/359	
D326,797 S	6/1992	Pomroy			
5,195,424 A	3/1993	Guajaca			
D339,958 S	10/1993	Olsen			
5,363,978 A	11/1994	Molo			
D353,080 S	12/1994	Cantereels			
D360,105 S	7/1995	Doxey			
D373,704 S	9/1996	Doxey			
D378,565 S	3/1997	Cousins			
D378,566 S	3/1997	Cousins			
D381,268 S	7/1997	Rush			
D390,757 S	2/1998	Wold			
5,750,967 A	5/1998	Sprauer, Jr.			
5,816,139 A	10/1998	Scorta Paci			
5,884,555 A *	3/1999	Chang	A47J 37/067	99/400
D409,053 S	5/1999	Wong			
5,911,812 A *	6/1999	Stanek	A47J 37/067	126/25 R
5,931,333 A	8/1999	Woodnorth et al.			
D415,652 S	10/1999	Loew			
D416,754 S	11/1999	Laib			
D417,817 S	12/1999	Loew			
D419,829 S	2/2000	Wilson			
D422,176 S	4/2000	Laib			
6,053,474 A	4/2000	Stucke, Jr. et al.			
6,131,505 A *	10/2000	Lin	A47J 37/041	403/386
D433,884 S	11/2000	Fujimoto			
D444,950 S *	7/2001	Hwang	D3/323	
D445,687 S	7/2001	Gilbertson			
D463,202 S *	9/2002	Smith	D7/359	
D463,719 S	10/2002	Epstein			
6,481,343 B1 *	11/2002	Rigney	A47J 37/067	99/396
D466,364 S	12/2002	Demore			
D469,667 S	2/2003	Burton			
D476,861 S	7/2003	Zettle			
D477,146 S *	7/2003	Hwang	D3/323	
D490,278 S	5/2004	Welsh			
D502,847 S	3/2005	Leonori			
D505,839 S	6/2005	Stanos			
6,952,000 B2	10/2005	Ohyama			
D523,296 S	6/2006	Kim			
7,131,550 B2	11/2006	Vilalta et al.			
D536,571 S	2/2007	Kim			
D537,300 S	2/2007	Kim			

(56) **References Cited**
U.S. PATENT DOCUMENTS

D199,320 S 10/1964 Swett
3,170,875 A 2/1965 Swett



D543,077 S	5/2007	Kim	
D544,762 S	6/2007	Zimmerman	
D558,536 S	1/2008	Curtin	
D558,537 S	1/2008	Curtin	
D565,800 S	4/2008	Wang	
D566,556 S *	4/2008	Baker	D9/456
D566,583 S	4/2008	Tucker	
D568,693 S	5/2008	Furlong	
D569,160 S *	5/2008	Mossbeck	D6/601
D571,802 S	6/2008	Morelock et al.	
D575,114 S	8/2008	Moghavem	
D575,115 S	8/2008	Zimmerman	
D584,111 S	1/2009	Eide	
D585,699 S	2/2009	Furlong	
D606,813 S	12/2009	Kim	
D611,807 S	3/2010	Miga, Jr.	
D612,196 S	3/2010	Furlong	
7,678,271 B2	3/2010	Curtin	
D613,111 S	4/2010	Furlong	
D615,349 S	5/2010	Furlong	
7,726,483 B2	6/2010	Ramanujam	
D621,667 S	8/2010	Ablo	
D633,757 S	3/2011	Smyers	
D656,800 S	4/2012	Lee	
D660,092 S	5/2012	Kyung	
D671,802 S	12/2012	Lee	
D671,803 S	12/2012	Myoung	
D673,807 S	1/2013	Grider	
D676,276 S	2/2013	Muspratt-Williams	
D677,159 S	3/2013	Sina	
8,592,736 B2	11/2013	DiLorenzo et al.	
D698,199 S	1/2014	Yessin	
D705,593 S	5/2014	Stamper	
8,729,438 B2	5/2014	Iwasaki	
D706,577 S *	6/2014	Funnell, II	D7/354
D708,470 S	7/2014	Heiberg	
8,850,964 B2	10/2014	Pawlick et al.	
8,866,056 B2	10/2014	Shapiro et al.	
D718,579 S	12/2014	Lee	
D718,580 S	12/2014	Lee	
D721,246 S	1/2015	Thurin	
D723,339 S	3/2015	Maxwell	
D730,127 S	5/2015	Maxwell	
D731,261 S	6/2015	Hauser	
D734,103 S	7/2015	Kin	
D735,524 S	8/2015	Holding	
D742,224 S	11/2015	Thurin	
D751,335 S	3/2016	Shirley	
D754,494 S	4/2016	Schuler	
9,340,334 B2	5/2016	DeSiena	
D759,420 S	6/2016	Lee	
D793,161 S *	8/2017	Fullmer	D7/354
2002/0060216 A1	5/2002	Chan	
2003/0116572 A1	6/2003	Klock et al.	
2003/0217649 A1	11/2003	Leonor	
2004/0040961 A1	3/2004	Vilalta et al.	
2004/0232026 A1	11/2004	Goeking et al.	
2009/0014443 A1	1/2009	Skaife	
2009/0026205 A1	1/2009	Moon	
2009/0107993 A1	4/2009	Ohyama	
2009/0200296 A1	8/2009	Wasaki	
2011/0114638 A1	5/2011	Kettner	
2013/0284727 A1	10/2013	Tai	
2014/0042167 A1	2/2014	Lindsay et al.	
2014/0138376 A1	5/2014	Cheung	
2014/0224799 A1	8/2014	Iwasaki	
2014/0224823 A1	8/2014	Iwasaki	

FOREIGN PATENT DOCUMENTS

CN 2464213 12/2001

OTHER PUBLICATIONS

Pyrex No-Leak System, <http://www.pyrexware.com/pyrex-no-leak>, at least as early as Jul. 1, 2014.
Anchor True-Seal System, http://anchorhocking.com/prod_208_truseal.html, at least as early as Jul. 1, 2014.

NordicWare Essentials Microwave Cook Set, <https://www.amazon.com/Nordic-Ware-Microwave-6-Piece-Essentials/dp/B00008UA3K>, at least as early as Jul. 1, 2014.
MicroBuddy (As Seen on TV), <https://www.seenontv.com/product/microbuddy>, at least as early as Jul. 1, 2014.
Tupperware Heat n' Serve, <https://www.amazon.com/Tupperware-Heat-Serve-Containers-Bowls/dp/B004USS8SY>, at least as early as Jul. 1, 2014.
Ziploc VersaGlass Containers, <http://www.walmart.com/ip/Ziploc-6pc-VersaGlass-Container-Variety-Pack/15819201>, at least as early as Jul. 1, 2014.
Tupperware Clear Bowl, <https://www.amazon.com/TP-840-T177-Tupperware-Clear-Bowl-Slimline/dp/B00NV1QH3> . . . , at least as early as Jul. 1, 2014.
Martha Stewart Collection, <http://www1.macys.com/shop/product/martha-stewart-collection-12-piece-glass-food-storage> . . . , at least as early as Jul. 1, 2014.
Snapware Tempered Glasslock Storage Containers, <https://www.amazon.com/Snapware-Tempered-Glasslock-Containers-Microwave/dp/B008T> . . . , at least as early as Jul. 1, 2014.
Rubbermaid Glass Containers, http://www.target.com/p/rubbermaid-10-pc-glass-food-storage-set/-/A-14051268?ref=tgt_ad . . . , at least as early as Jul. 1, 2014.
NordicWare Microwave Steamer, https://www.nordicware.com/store/product_detail/vegetable-seafood-steamer, at least as early as Jul. 1, 2014.
Progressive MiracleWare Fish and Vegetable Steamer, <http://progressiveintl.com/products/microwave-fish-and-veggie-steamer>, at least as early as Jul. 1, 2014.
Sistema Oatmeal Maker, <http://sistemaplastics.com/products/microwave/Breakfast-Bowl>, at least as early as Jul. 1, 2014.
Sistema Steamer, <http://sistemaplastics.com/products/microwave/large-microwave-steamer>, at least as early as Jul. 1, 2014.
NordicWare Microwave Bacon Rack, <http://www.walmart.com/ip/Nordic-Ware-Reversible-Microwave-Bacon-Rack/14913043?w> . . . , at least as early as Jul. 1, 2014.
NordicWare Popcorn Popper, https://www.nordicware.com/store/product_detail/microwave-popcorn-popper, at least as early as Jul. 1, 2014.
Progressive Microwave Grill, <http://progressiveintl.com/products/large-microwave-grill>, at least as early as Jul. 1, 2014.

* cited by examiner

Primary Examiner — Ricky Pham
(74) Attorney, Agent, or Firm — McDermott Will & Emery LLP

(57) CLAIM

We claim the ornamental design for a steamer plate, as shown and described.

DESCRIPTION

FIG. 1 is a top front perspective view of a steamer plate according to the new design.
FIG. 2 is a bottom perspective view of the steamer plate shown in FIG. 1.
FIG. 3 is a right side view of the steamer plate shown in FIG. 1.
FIG. 4 is a left side view of the steamer plate shown in FIG. 1.
FIG. 5 is a front view of the steamer plate shown in FIG. 1.
FIG. 6 is a back view of the steamer plate shown in FIG. 1.
FIG. 7 is a top view of the steamer plate shown in FIG. 1; and,

FIG. 8 is a bottom view of the steamer plate shown in FIG. 1.

1 Claim, 6 Drawing Sheets

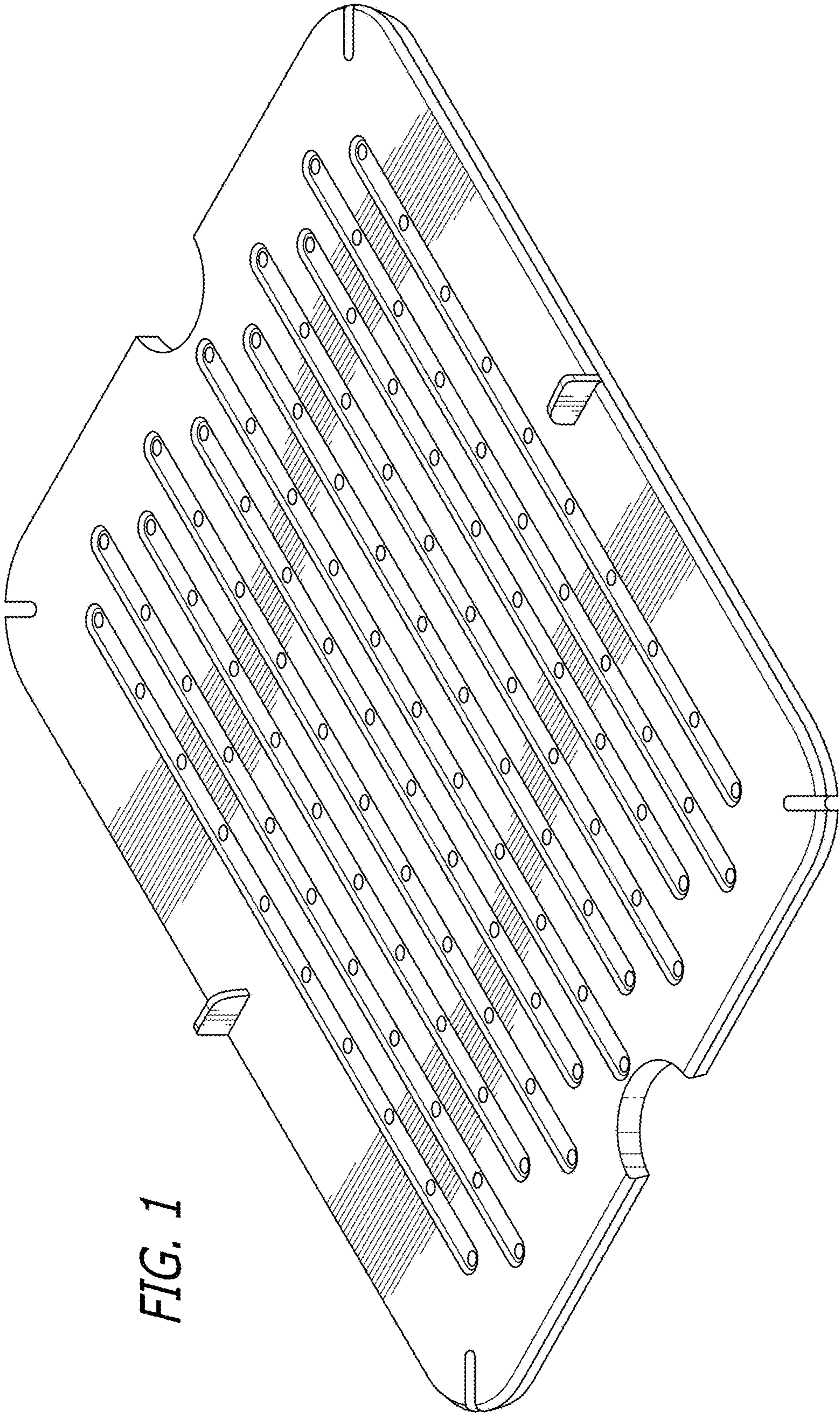


FIG. 1

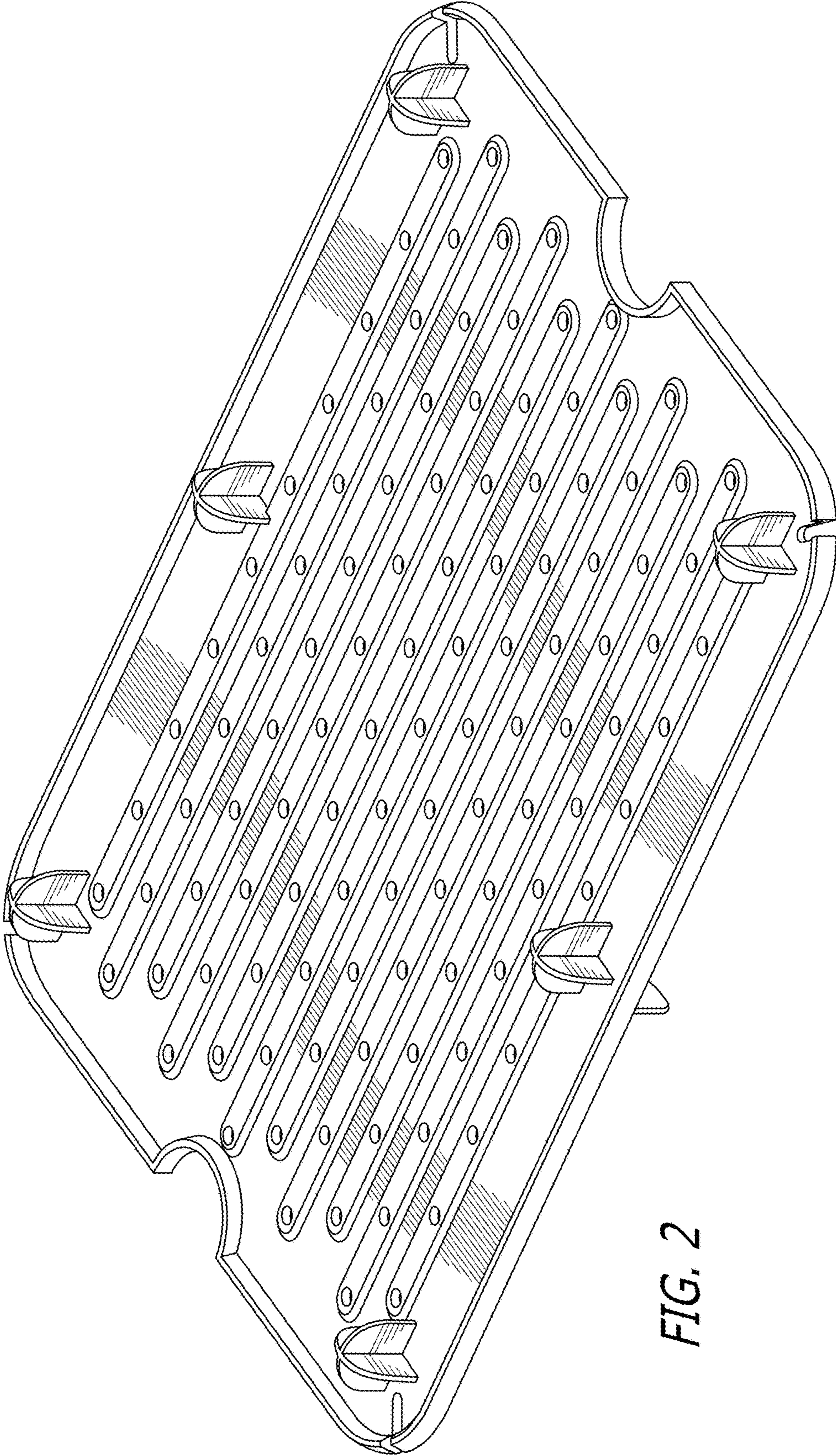


FIG. 2

FIG. 3

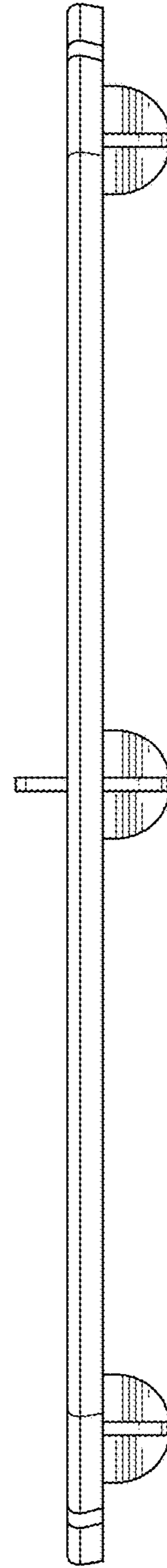
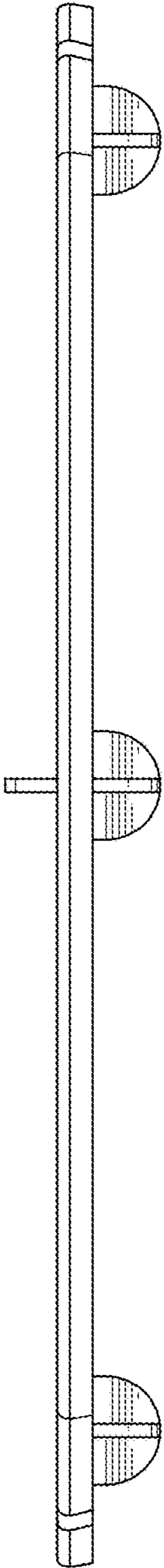


FIG. 4

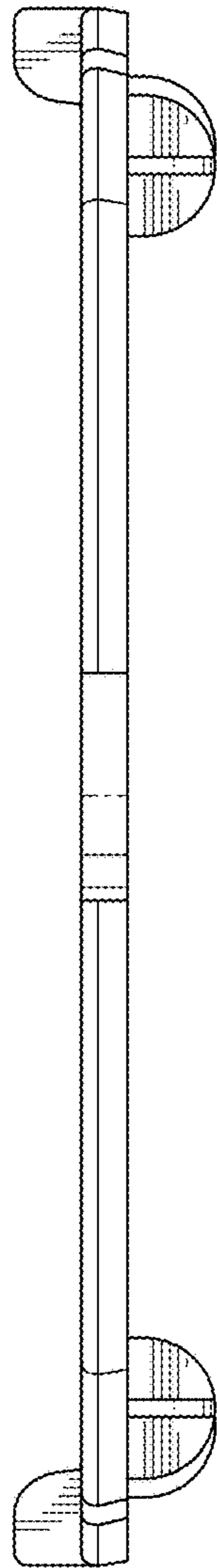


FIG. 5

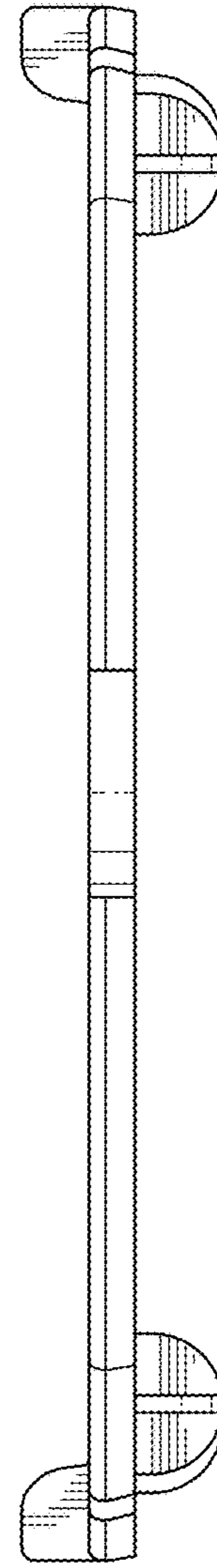


FIG. 6

FIG. 7

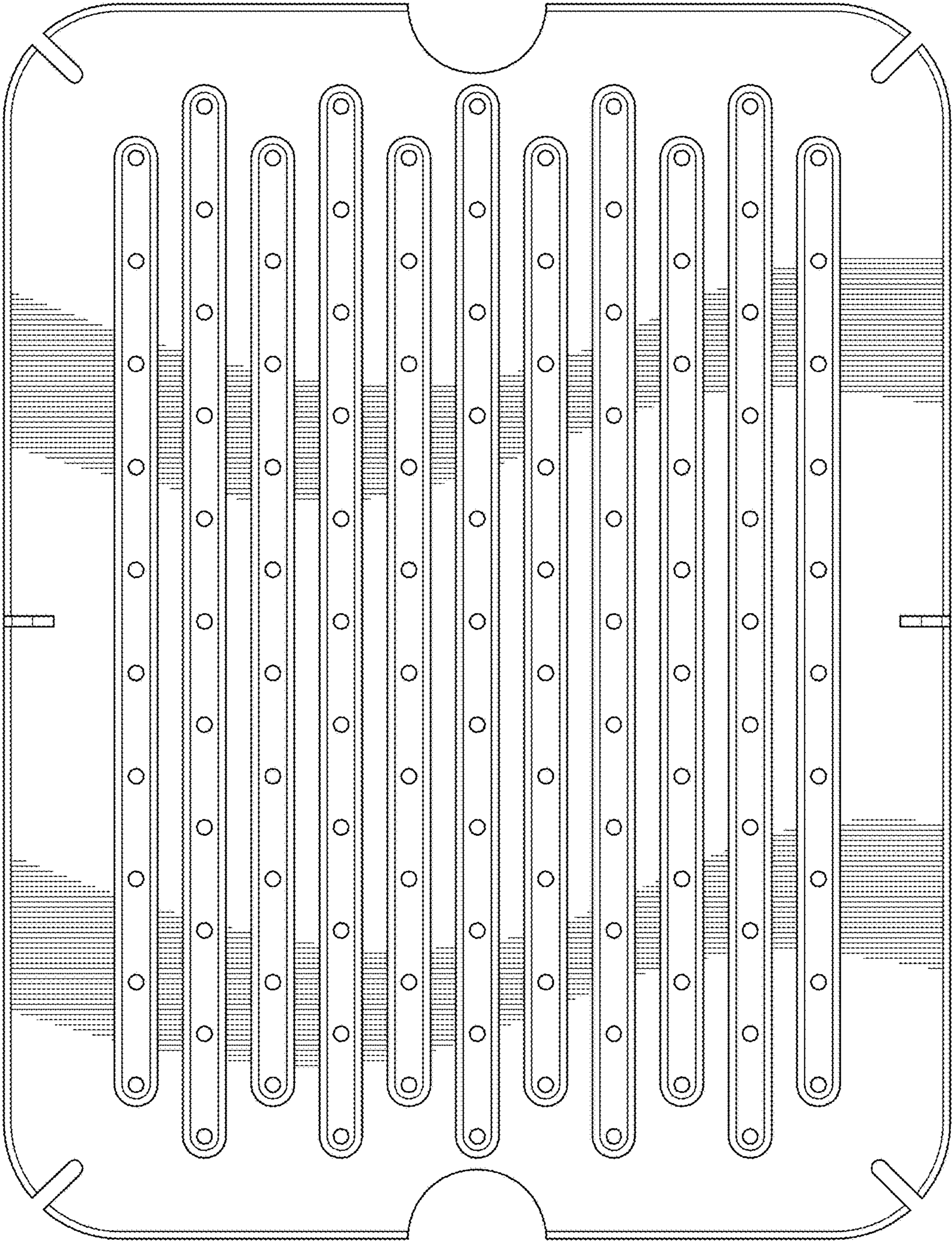


FIG. 8

