



US00D812972S

(12) **United States Design Patent** (10) **Patent No.:** **US D812,972 S**
Braunschweig et al. (45) **Date of Patent:** **** Mar. 20, 2018**

(54) **FERMENTER BOTTLE FILLER ATTACHMENT**

FOREIGN PATENT DOCUMENTS

(71) Applicant: **WHIRLPOOL CORPORATION**,
Benton Harbor, MI (US)

CA 1113413 A 12/1981
CN 2423287 Y 3/2001
(Continued)

(72) Inventors: **James Braunschweig**, Newton, IA (US); **Zachary A. Lownds**, St. Joseph, MI (US); **Ryan S. Murrin**, St. Joseph, MI (US); **Michael J. Scherzer**, Stevensville, MI (US)

OTHER PUBLICATIONS

Harris, J.O., "Single Tank Operation for Fermentation and Maturation," J. Inst. Brew., Sep.-Oct., 1980, vol. 86, pp. 230-233 (Revised Feb. 13, 1980).

(Continued)

(73) Assignee: **Whirlpool Corporation**, Benton Harbor, MI (US)

Primary Examiner — Marianne Pandozzi

(74) *Attorney, Agent, or Firm* — Price Heneveld LLP

(**) Term: **15 Years**

(57) **CLAIM**

(21) Appl. No.: **29/567,558**

We claim the ornamental design for a fermenter bottle filler attachment, as shown and described.

(22) Filed: **Jun. 10, 2016**

DESCRIPTION

(51) **LOC (11) Cl.** **07-01**

(52) **U.S. Cl.**
USPC **D7/398**; D7/397; D7/306

(58) **Field of Classification Search**
USPC D7/387, 300, 306, 311, 313, 397, 398;
422/186.03; 250/455.11; D24/232;
99/275, 276; D23/238
CPC C12G 1/0216; A61L 2202/122; F16L
2101/12; C12C 11/003; C12C 1/006;
B10D 19/02; A23B 4/02

See application file for complete search history.

FIG. 1 is a front perspective view of a fermenter bottle filler attachment of the present disclosure;
FIG. 2 is a rear perspective view of the fermenter bottle filler attachment of FIG. 1;
FIG. 3 is a first side elevational view of the fermenter bottle filler attachment of FIG. 1;
FIG. 4 is a front elevational view of the fermenter bottle filler attachment of FIG. 1;
FIG. 5 is a second side elevational view of the fermenter bottle filler attachment of FIG. 1;
FIG. 6 is a left side view of the fermenter bottle filler attachment of FIG. 1;
FIG. 7 is a top plan view of the fermenter bottle filler attachment of FIG. 1; and,
FIG. 8 is a bottom plan view of the fermenter bottle filler attachment of FIG. 1.

The broken lines in the drawings depict environmental subject matter only and form no part of the claimed design.

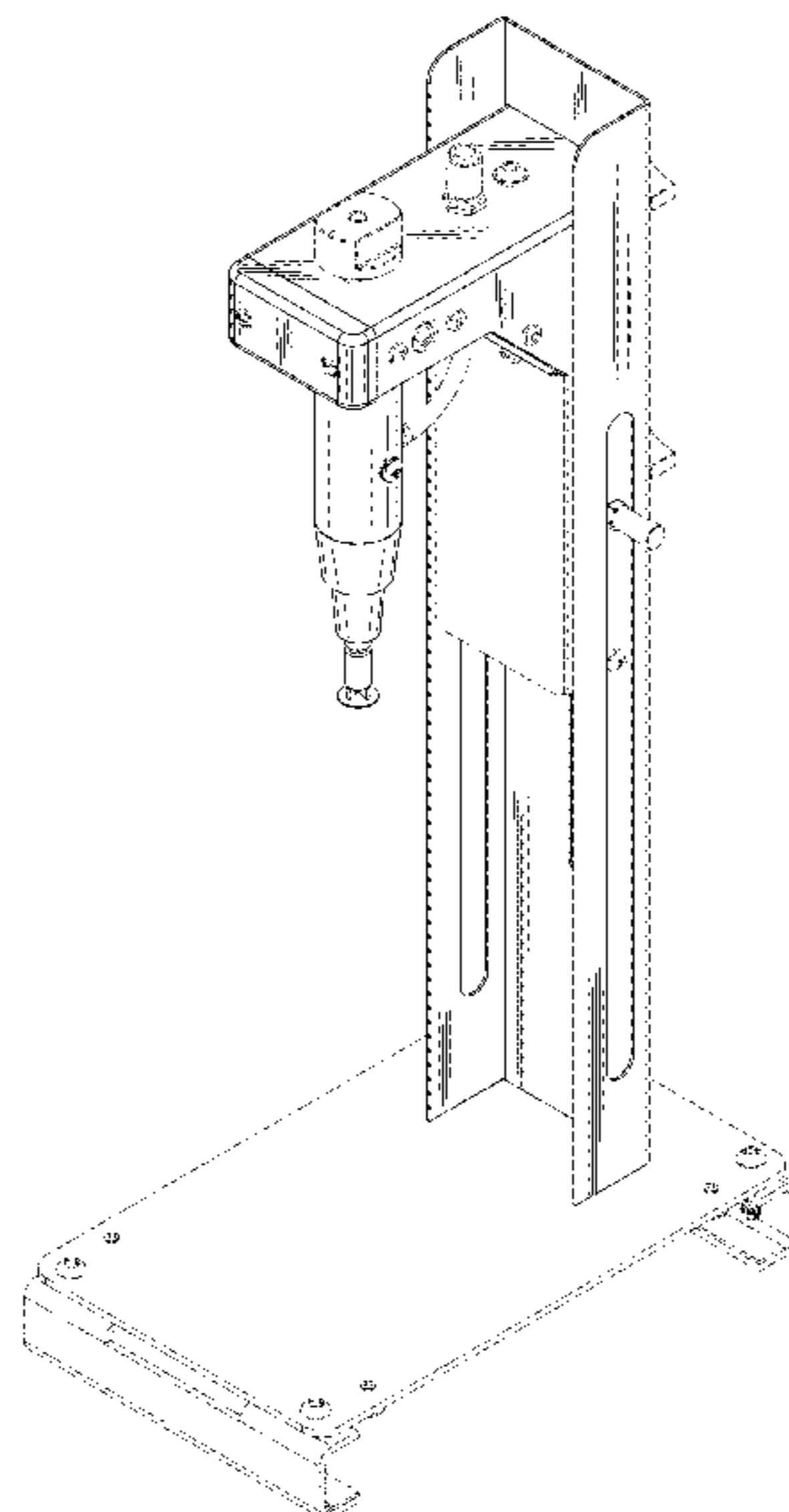
(56) **References Cited**

U.S. PATENT DOCUMENTS

492,292 A 2/1893 Hummel
694,584 A 3/1902 Selg et al.
708,984 A 9/1902 Bartliff
712,431 A 10/1902 Bartliff
733,284 A 7/1903 Sleg et al.

(Continued)

1 Claim, 7 Drawing Sheets



(56)

References Cited

U.S. PATENT DOCUMENTS

1,033,136 A 7/1912 Wennersten
 1,988,954 A 1/1935 Gera
 3,196,466 A * 7/1965 De Lorenzo E03C 1/18
 168/24
 D261,657 S * 11/1981 Villa D23/238
 4,494,451 A 1/1985 Hickey
 4,704,363 A * 11/1987 Ziegler C12M 47/00
 435/293.1
 4,708,938 A 11/1987 Hickinbotham
 4,754,698 A 7/1988 Naish
 5,311,811 A 5/1994 Kuzyk
 5,364,639 A 11/1994 MacLennan et al.
 5,365,830 A 11/1994 MacLennan et al.
 5,718,161 A 2/1998 Beadle
 6,032,571 A 3/2000 Brous et al.
 6,629,490 B1 10/2003 Lu
 D487,377 S * 3/2004 McDougall D7/306
 7,353,750 B2 * 4/2008 Francia C12G 1/0216
 99/277
 7,661,556 B2 * 2/2010 van der Klaauw .. B67D 1/0406
 222/1
 7,963,213 B1 6/2011 Murdock
 D647,748 S * 11/2011 Beekhuis D7/300
 8,601,936 B2 12/2013 Williams et al.
 9,192,883 B1 * 11/2015 Blichmann B01D 43/00

9,550,968 B2 * 1/2017 Mitchell B05B 3/0463
 D792,729 S * 7/2017 Adewuyi D7/306
 2004/0012914 A1 1/2004 Chu et al.
 2006/0138177 A1 6/2006 Wauters et al.
 2014/0017354 A1 1/2014 Joseph et al.
 2015/0000530 A1 1/2015 Mitchell et al.
 2015/0000531 A1 1/2015 Mitchell et al.
 2015/0000532 A1 1/2015 Mitchell et al.
 2015/0129618 A1 * 5/2015 Peirsman B67D 1/14
 222/399

FOREIGN PATENT DOCUMENTS

DE 29618312 U1 1/1997
 GB 2157314 A 10/1985
 GB 2123850 B 4/1987
 JP 2001120253 A 5/2001
 JP 2004344055 A 12/2004
 WO 3832836 A2 7/1998
 WO 3832836 A3 11/1998

OTHER PUBLICATIONS

Speidel, "Translation from the German original Operating/brewing instructions," Speidels Braumeister, Item No. 41010, 47070, 45050, Issue, Nov. 2014 (32 pages).

* cited by examiner

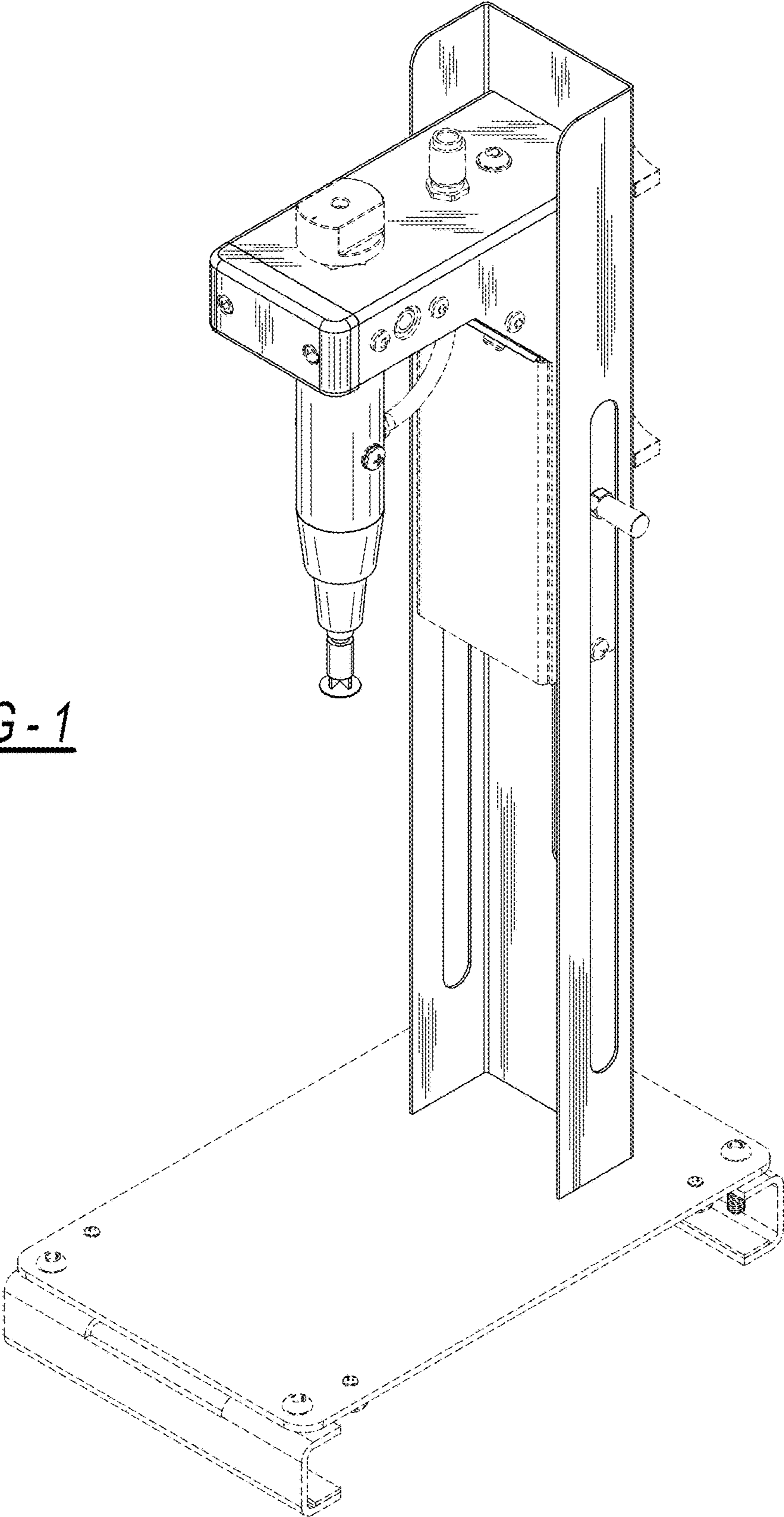


FIG - 1

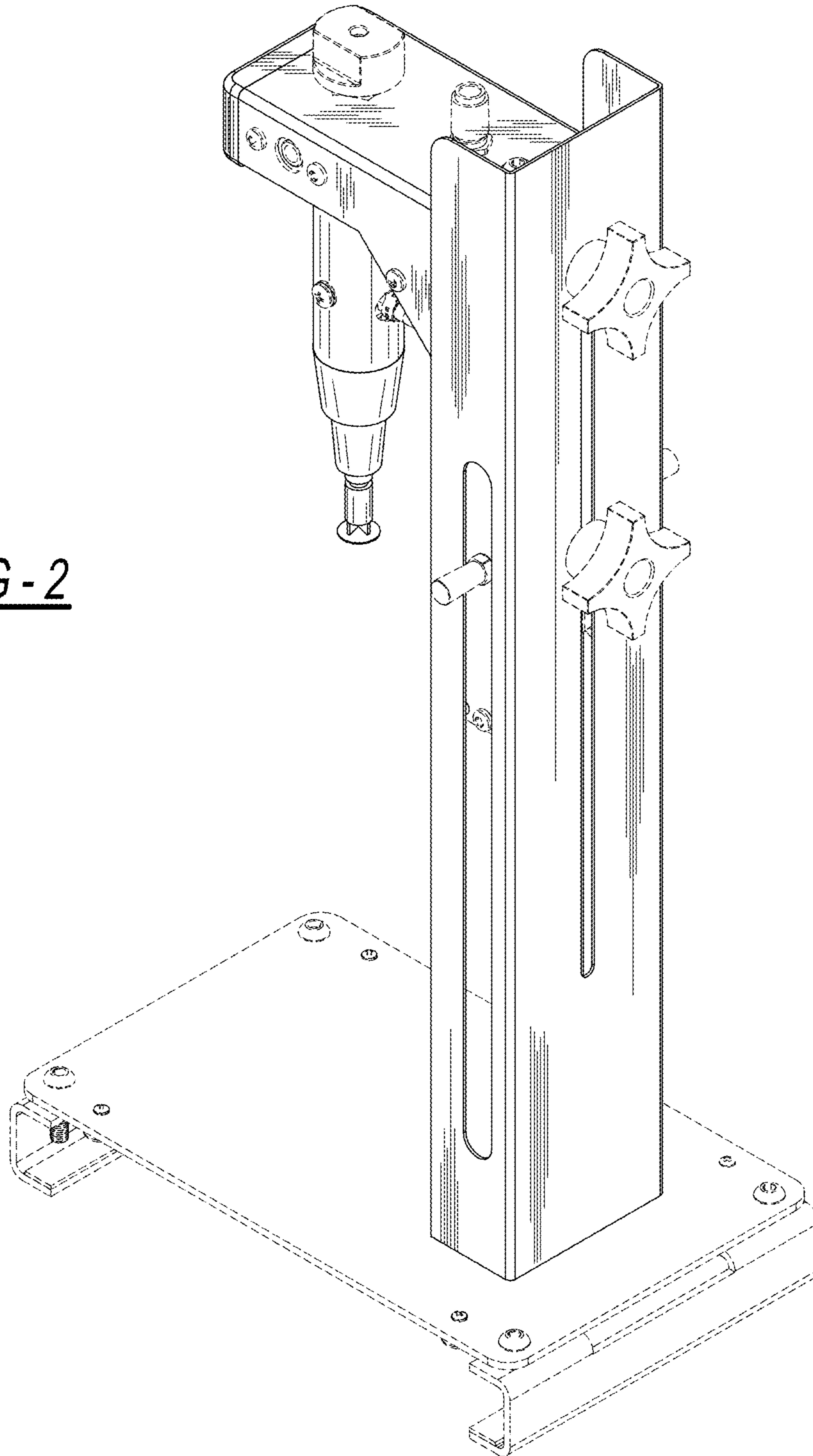


FIG - 2

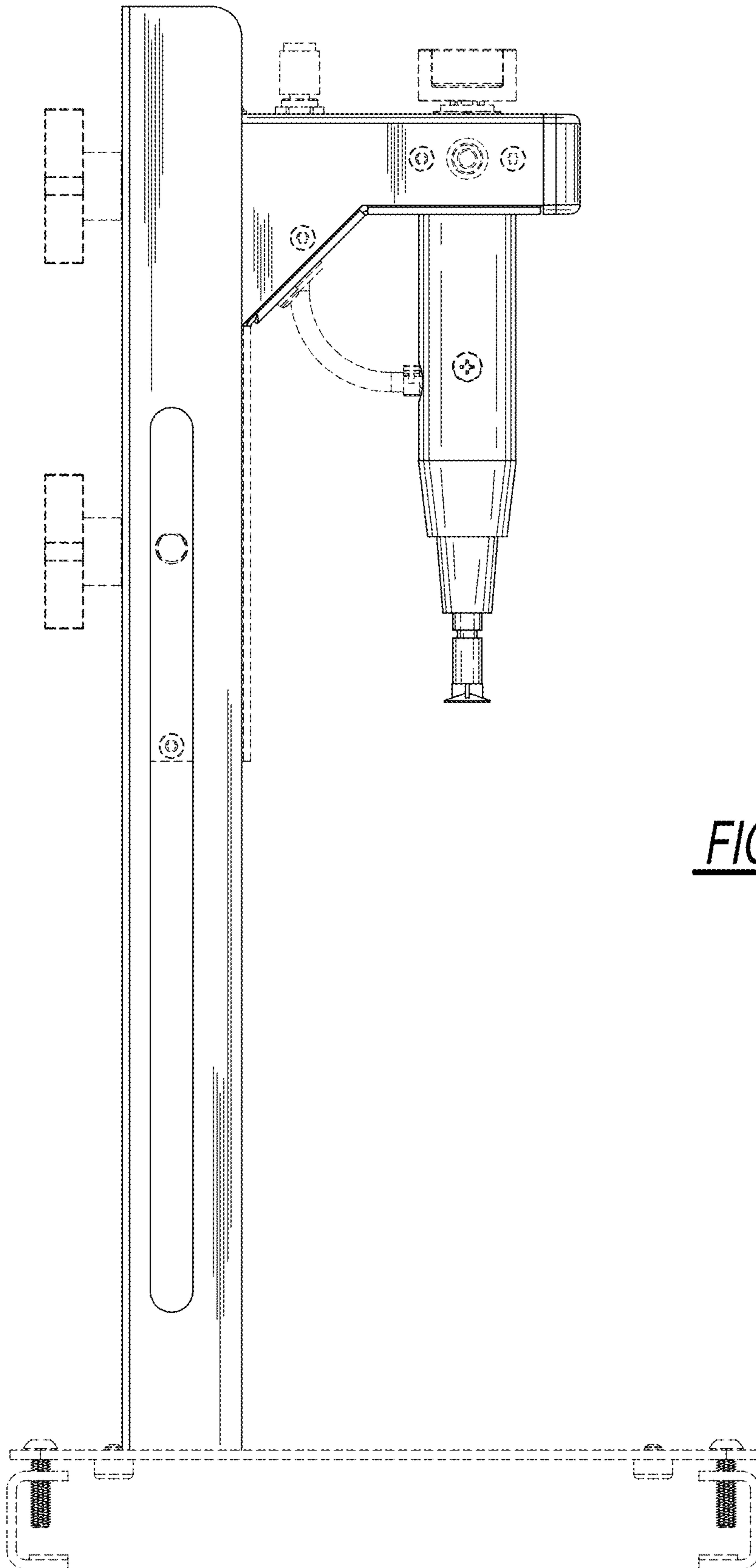


FIG - 3

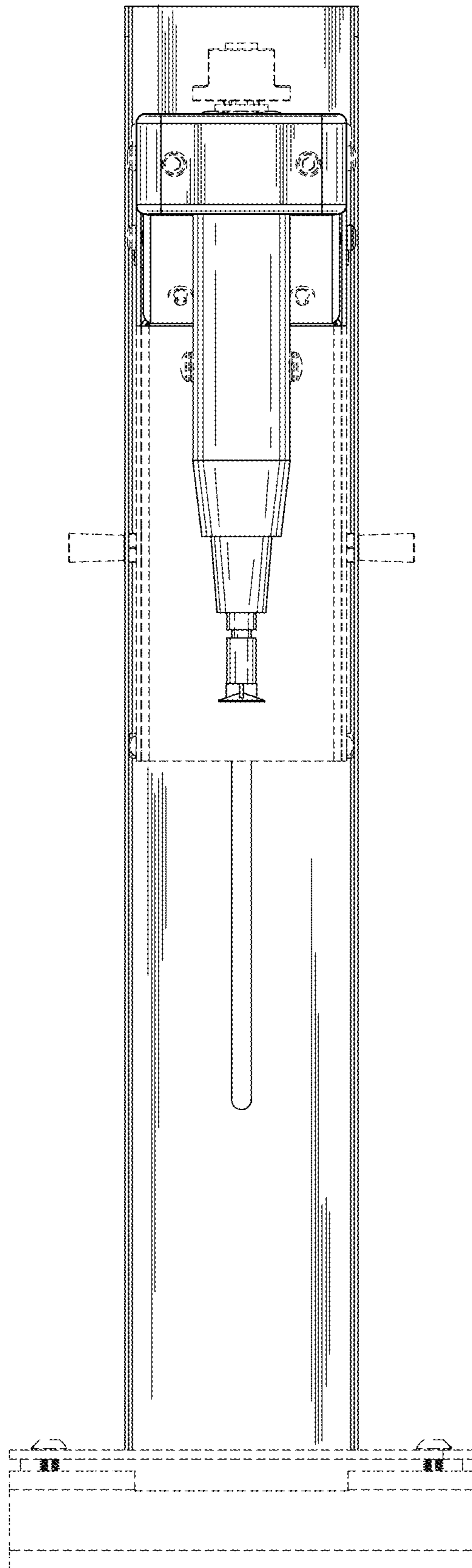
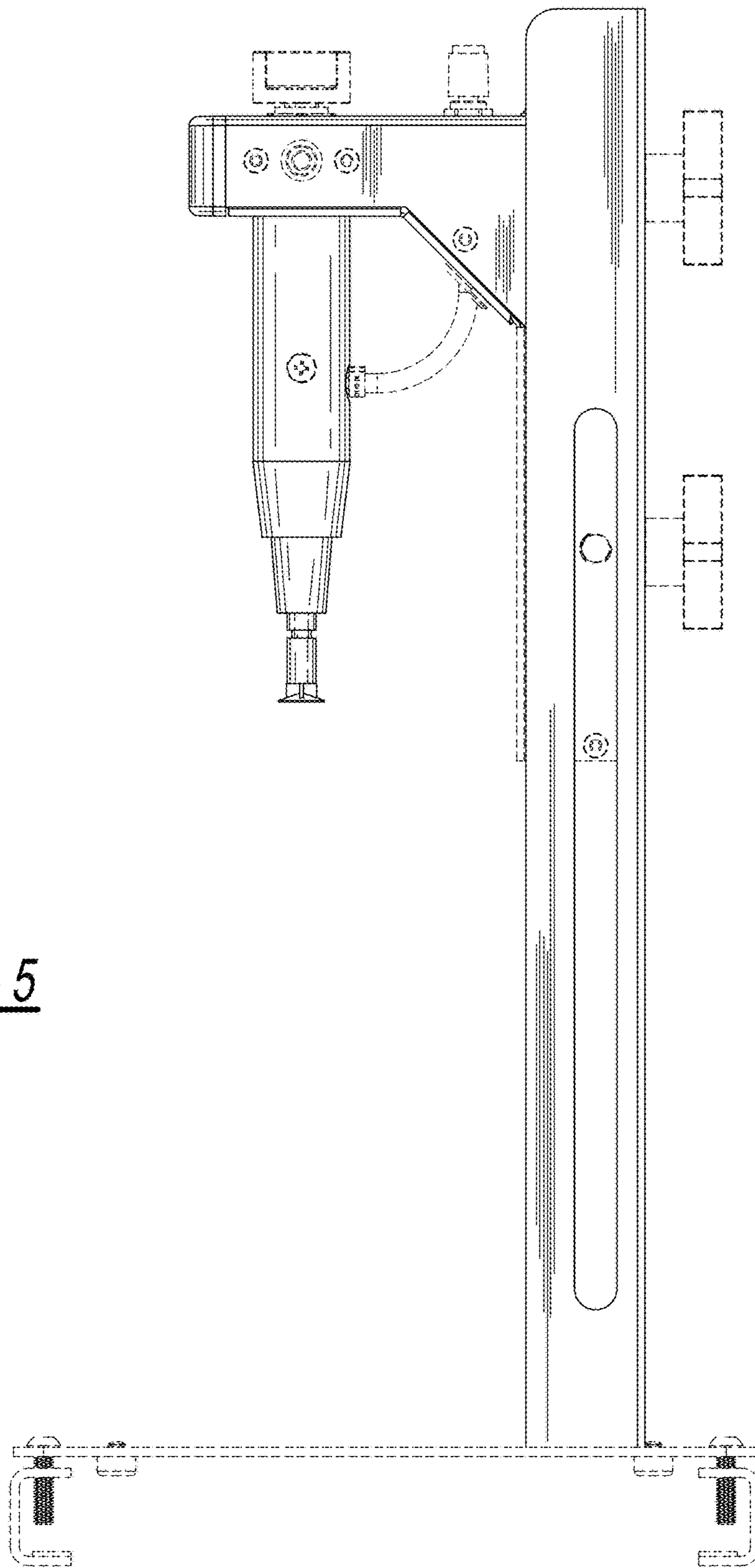


FIG - 4



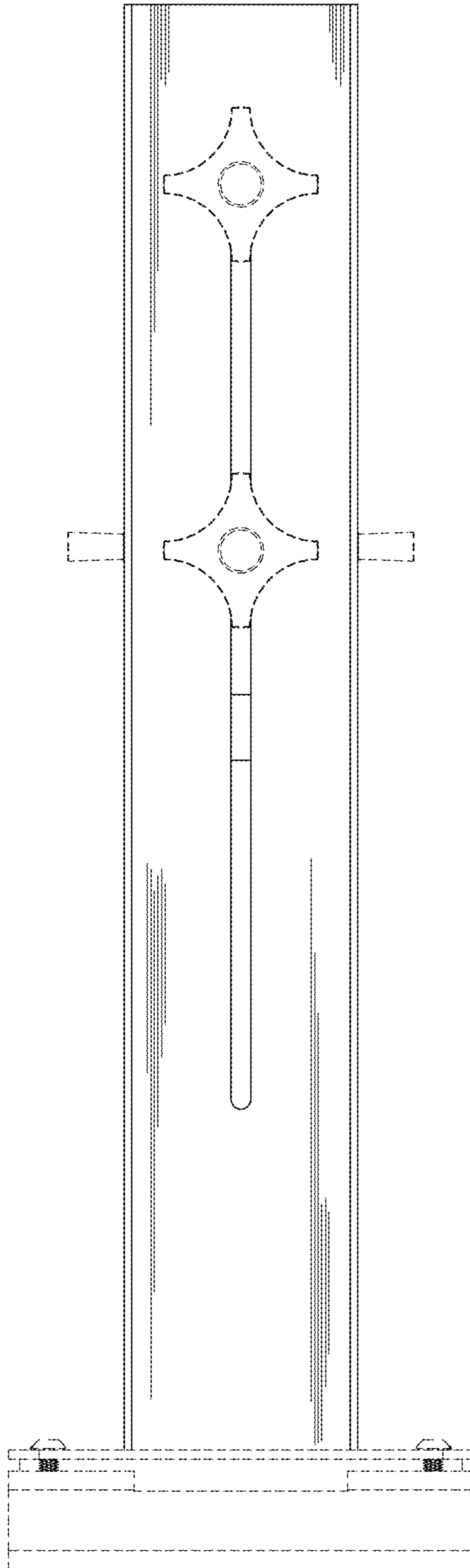


FIG - 6

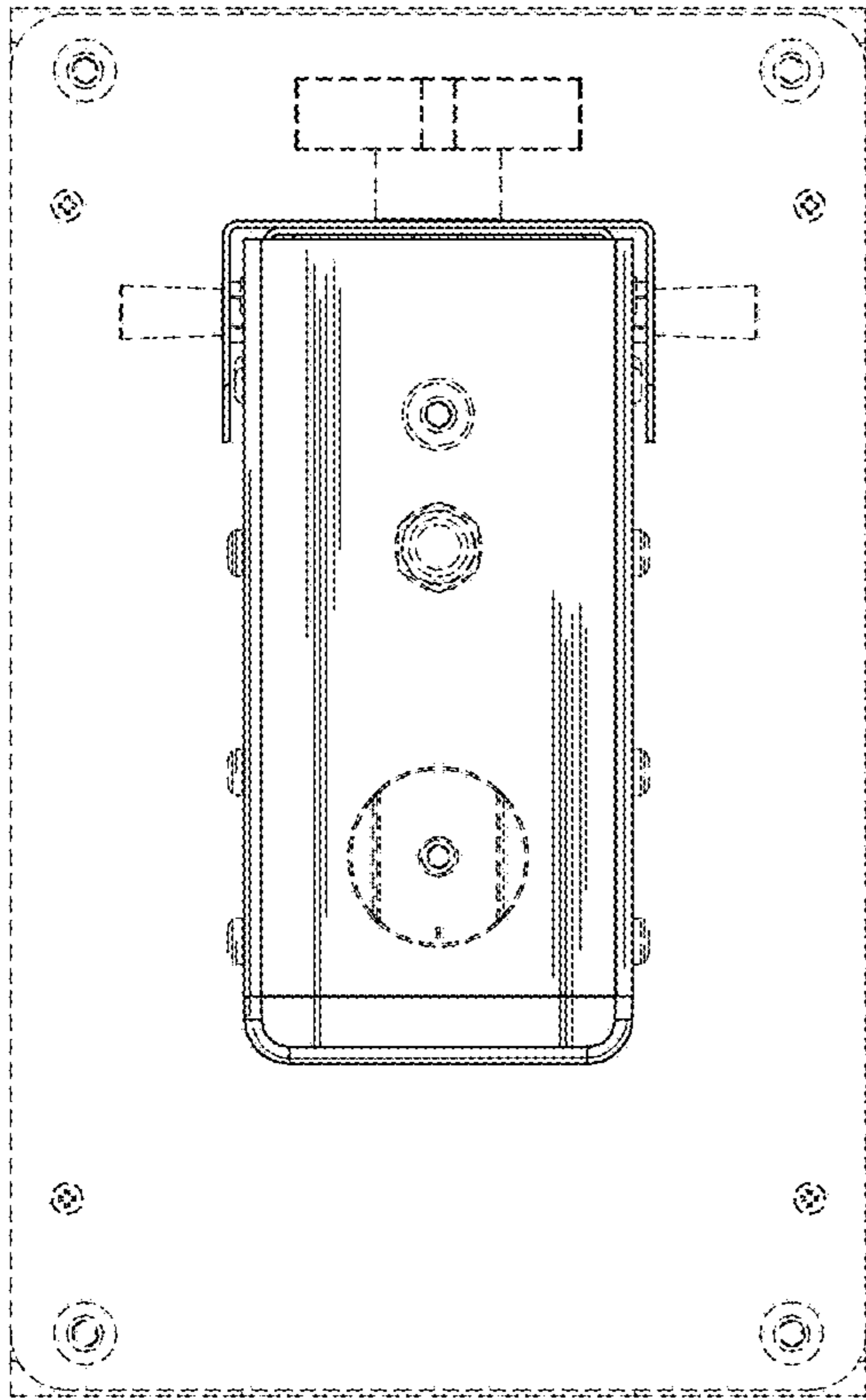


FIG - 7

FIG - 8

