



US00D812971S

(12) **United States Design Patent**
Moon et al.

(10) **Patent No.:** **US D812,971 S**
(45) **Date of Patent:** **** Mar. 20, 2018**

(54) **PORTION OF A BEVERAGE MACHINE**

(71) Applicant: **CLOVER CO., LTD.**, Anyang (KR)

(72) Inventors: **Il Mook Moon**, Gwacheon (KR); **Sun Bae Hong**, Gunpo (KR); **Yoo Jin Hwang**, Haewoondae-Gu (KR)

(73) Assignee: **CLOVER CO., LTD.**, Anyang (KR)

(**) Term: **15 Years**

(21) Appl. No.: **29/565,767**

(22) Filed: **May 24, 2016**

Related U.S. Application Data

(63) Continuation of application No. 29/510,930, filed on Dec. 4, 2014, now Pat. No. Des. 760,008.

(30) **Foreign Application Priority Data**

Jul. 8, 2014 (KR) 30-2014-0033336

(51) **LOC (11) Cl.** **07-01**

(52) **U.S. Cl.**
USPC **D7/397**; D7/311; D7/306; D7/399;
D7/398

(58) **Field of Classification Search**

USPC D7/306-311, 305, 300, 313, 399, 398,
D7/397; 99/279, 284, 290, 280, 299,
99/307, 305, 295, 308, 309, 323.1, 395,
99/300; 222/23, 129.1; 62/395; D20/1;
D23/207, 209; D15/89; D13/162, 164

CPC . A47J 31/44; A47J 31/00; A47J 31/46; B67D
1/0041; B67D 3/00; A23L 2/52

See application file for complete search history.

(56) **References Cited**

U.S. PATENT DOCUMENTS

4,944,217 A 7/1990 Watanabe
5,454,293 A 10/1995 Santi

D377,576 S * 1/1997 Amiel D7/309
5,901,636 A 5/1999 Witziers et al.
6,490,966 B2 12/2002 Mariller et al.
6,698,332 B2 3/2004 Kollep et al.
6,789,461 B1 9/2004 Huang et al.
6,857,353 B2 2/2005 Kollep et al.
D513,572 S * 1/2006 Schaffeld D7/309
7,032,502 B2 4/2006 Chan et al.
D525,070 S * 7/2006 Moreno D7/309
7,216,582 B2 5/2007 Yoakim et al.
7,347,138 B2 3/2008 Bragg et al.
7,398,726 B2 7/2008 Streeter et al.
7,415,921 B2 8/2008 Brouwer
D582,714 S * 12/2008 Hensel D7/309
7,481,151 B2 1/2009 Van Der Meer et al.

(Continued)

Primary Examiner — Marianne Pandozzi

(74) *Attorney, Agent, or Firm* — Oblon, McClelland,
Maier & Neustadt, L.L.P.

(57) **CLAIM**

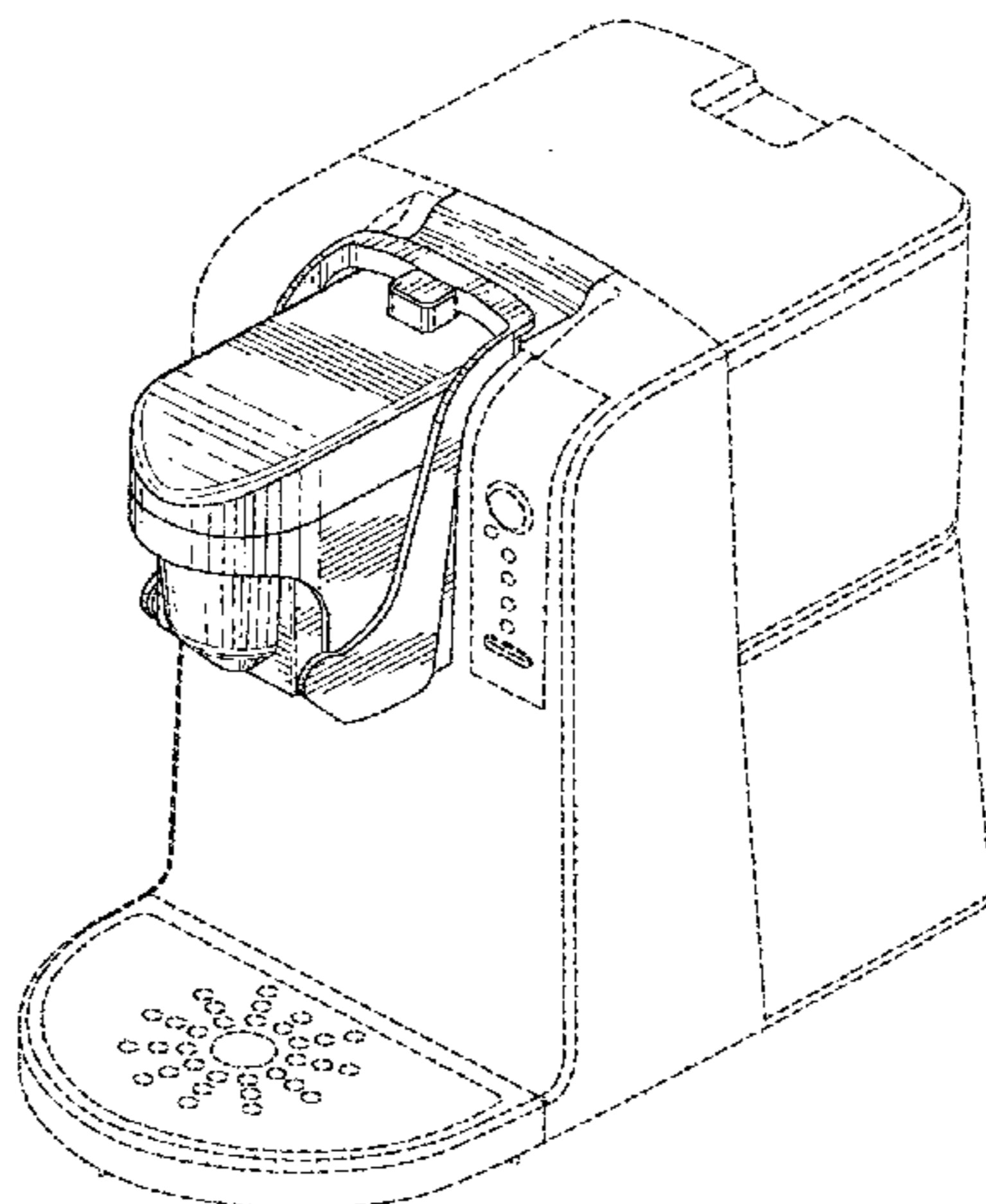
The ornamental design for a portion of a beverage machine,
as shown and described.

DESCRIPTION

FIG. 1 is a front, right side, top perspective view of a portion
of a beverage machine showing my new design;
FIG. 2 is a front, left side, bottom perspective view thereof;
FIG. 3 is a back, right side, bottom perspective view thereof;
FIG. 4 is a front view thereof;
FIG. 5 is a back view thereof;
FIG. 6 is a left side view thereof;
FIG. 7 is a right side view thereof;
FIG. 8 is a top view thereof; and,
FIG. 9 is a bottom view thereof.

The broken lines depict portions of a portion of a beverage
machine that form no part of the claimed design.

1 Claim, 9 Drawing Sheets



(56)

References Cited

U.S. PATENT DOCUMENTS

D585,692 S * 2/2009 Borin D7/309
 7,523,695 B2 4/2009 Streeter et al.
 D594,688 S * 6/2009 Hammad D7/306
 D595,992 S * 7/2009 Clark D7/309
 7,600,467 B2 10/2009 Coccia et al.
 D604,985 S * 12/2009 Taylor D7/309
 D607,258 S * 1/2010 De Pra' D7/309
 D607,259 S * 1/2010 De Pra' D7/309
 7,644,649 B2 1/2010 Dworzak et al.
 7,644,650 B2 1/2010 Suzuki
 7,677,158 B2 3/2010 McDuffie et al.
 7,819,284 B2 10/2010 Hale
 D626,368 S * 11/2010 De Pra' D7/309
 D634,963 S * 3/2011 Romandy D7/306
 D649,390 S * 11/2011 Santoiemmo D7/306
 8,074,560 B2 12/2011 Levi et al.
 8,151,694 B2 4/2012 Jacobs et al.
 8,250,972 B2 * 8/2012 Santoiemmo B67D 1/0888
 261/DIG. 7
 D667,674 S * 9/2012 Wilder D7/306
 D674,232 S * 1/2013 Lavy D7/309
 8,387,516 B1 3/2013 Reynolds
 8,640,605 B2 2/2014 Hart
 8,677,888 B2 * 3/2014 Santoiemmo A23L 2/52
 261/DIG. 7
 D702,984 S * 4/2014 Hanneson D7/306
 8,701,547 B2 4/2014 Leung et al.
 D709,722 S * 7/2014 Luippold D7/305
 8,833,241 B2 * 9/2014 Santoiemmo A23L 2/54
 426/232

D719,391 S * 12/2014 De Pra D7/309
 D720,180 S * 12/2014 Manly D7/306
 D720,567 S * 1/2015 Cauwood D7/306
 D721,911 S * 2/2015 Cauwood D7/306
 8,950,317 B2 * 2/2015 Tanner A47J 31/46
 99/289 R
 D723,318 S * 3/2015 Andreesen D7/306
 D728,986 S * 5/2015 De'Longhi D7/309
 D738,149 S * 9/2015 Ye D7/306
 D742,156 S * 11/2015 Harris D7/306
 D760,008 S * 6/2016 Moon D7/306
 D763,030 S * 8/2016 Priley D7/306
 D771,992 S * 11/2016 Yang D7/306
 D779,257 S * 2/2017 Hale D7/306
 D785,393 S * 5/2017 Palermo D7/306
 D786,602 S * 5/2017 Palermo D7/306
 D788,392 S * 5/2017 Gidwell D32/31
 D801,112 S * 10/2017 Struggl D7/397
 2006/0090653 A1 5/2006 McDuffie et al.
 2006/0174773 A1 8/2006 Taylor
 2008/0041234 A1 2/2008 Cortese
 2008/0121111 A1 5/2008 Paget et al.
 2008/0154902 A1 * 6/2008 Dettinger G06F 17/3053
 2010/0112165 A1 5/2010 Masciandro et al.
 2011/0197771 A1 8/2011 Bolzicco et al.
 2011/0259201 A1 10/2011 Mograbi
 2013/0004629 A1 1/2013 Clark et al.
 2013/0032036 A1 2/2013 Zhong et al.
 2013/0183130 A1 7/2013 Etter
 2013/0223965 A1 8/2013 Choi et al.
 2014/0060335 A1 3/2014 Sachtleben
 2014/0069281 A1 3/2014 Ryser et al.
 2014/0102310 A1 4/2014 Aardenburg et al.

* cited by examiner

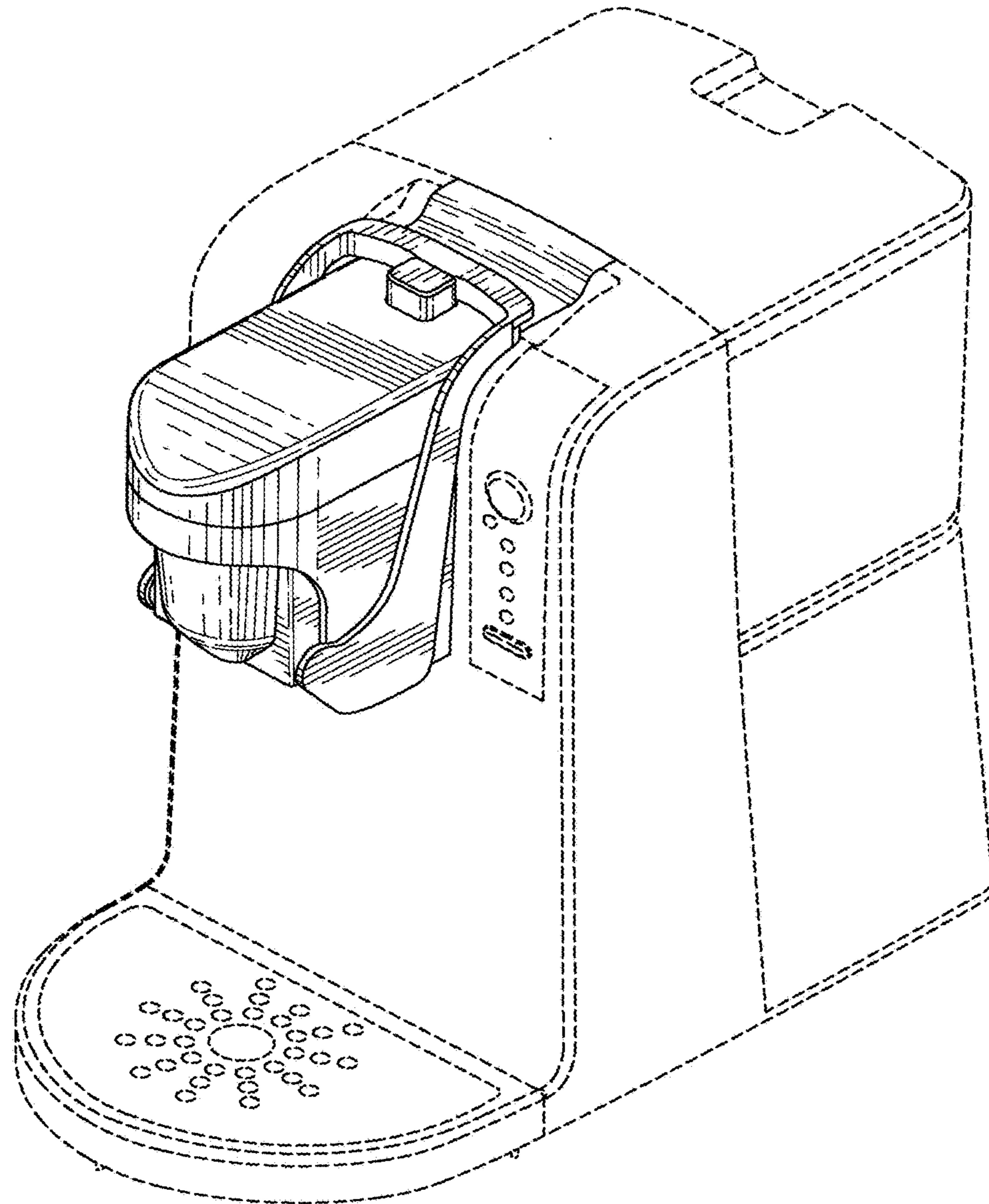


Fig. 1

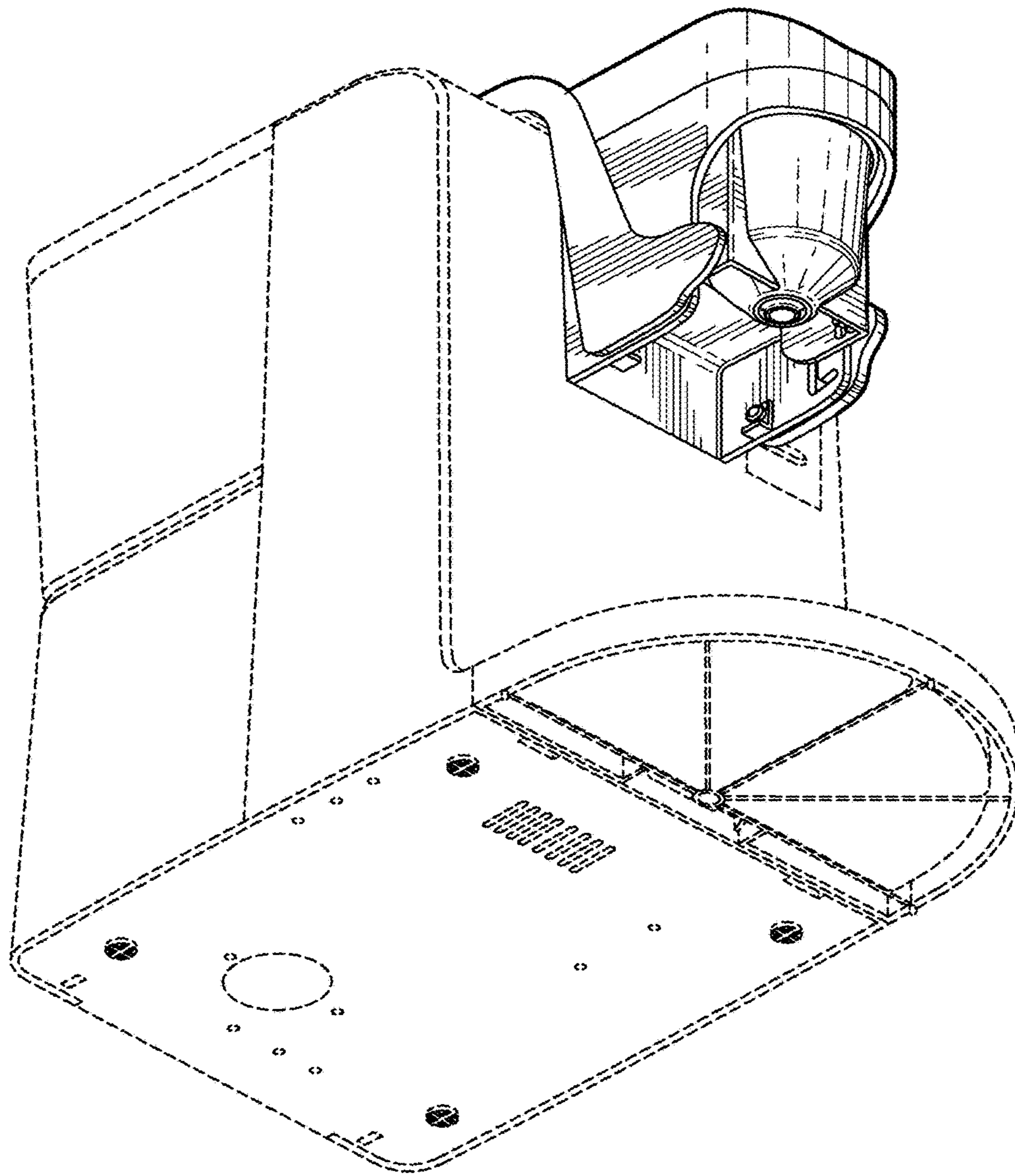


Fig. 2

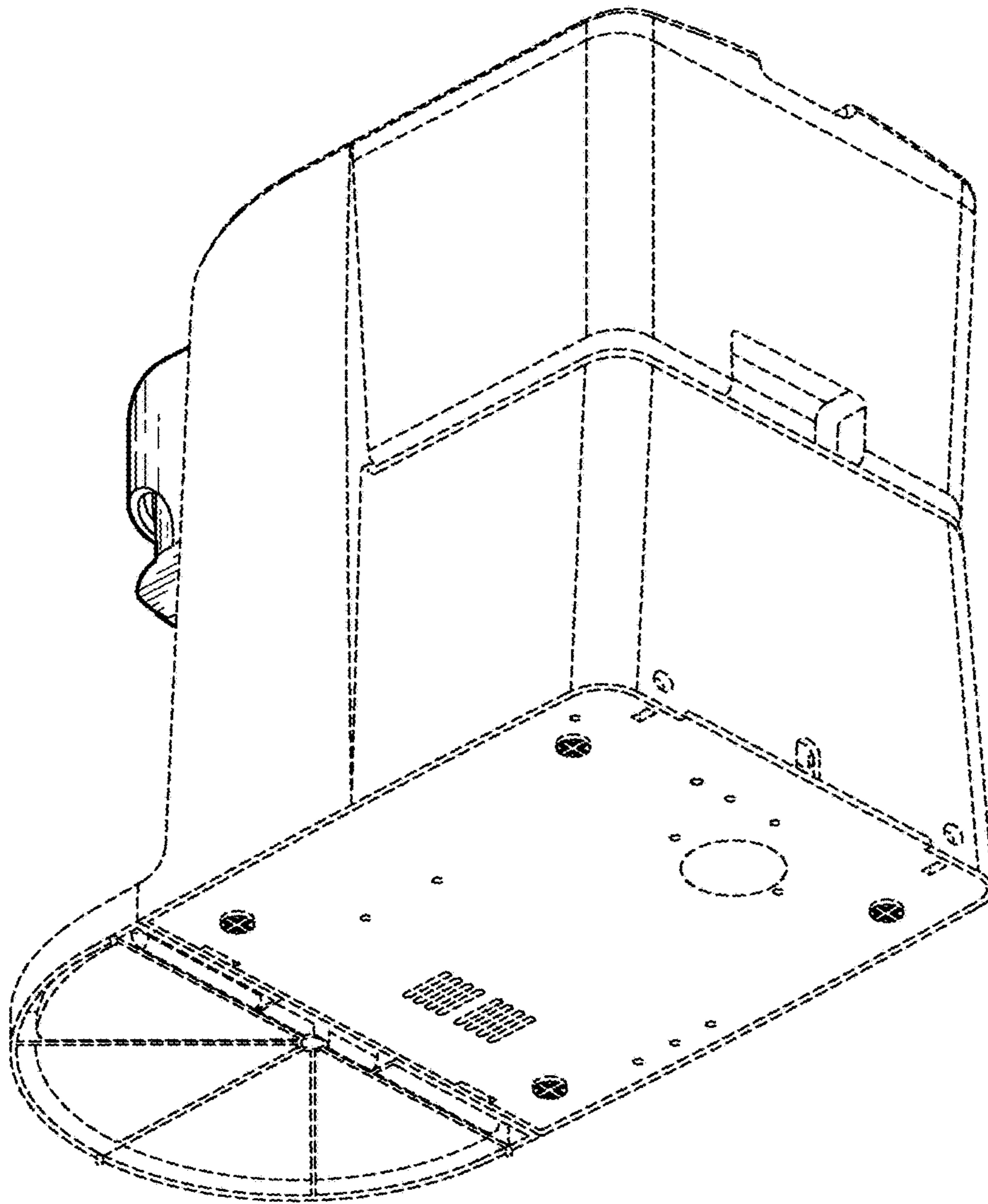


Fig. 3

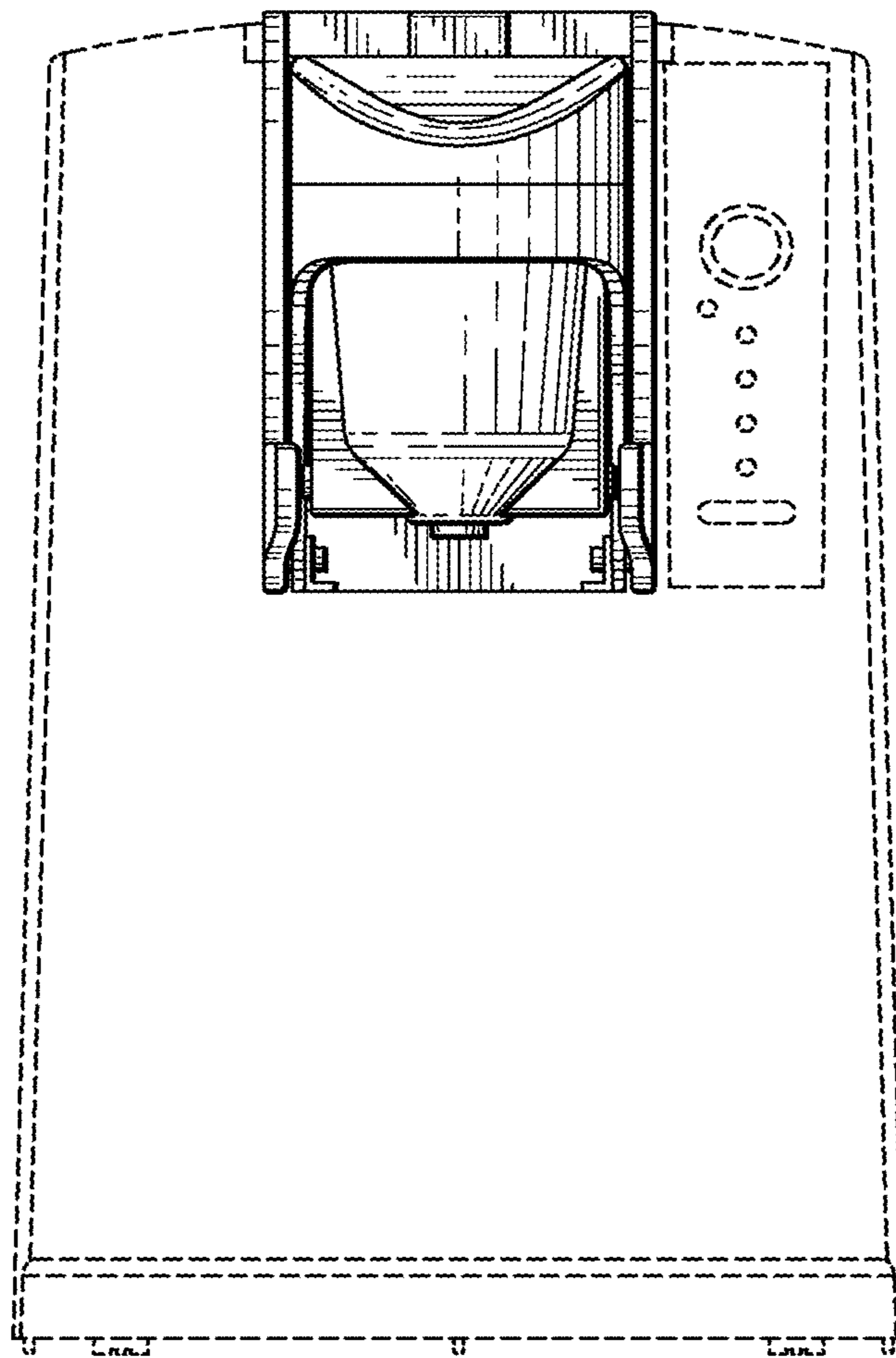


Fig. 4

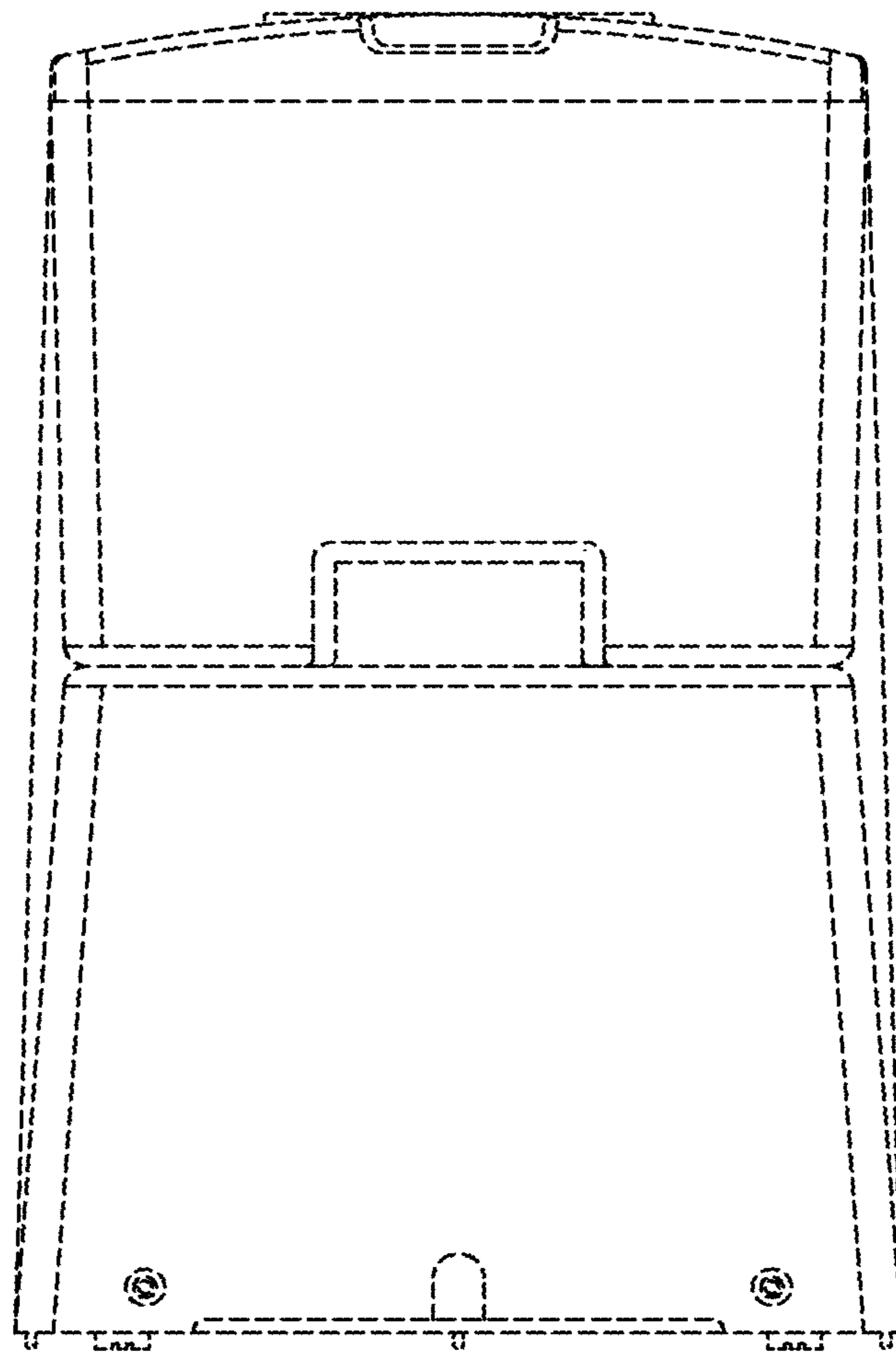


Fig. 5

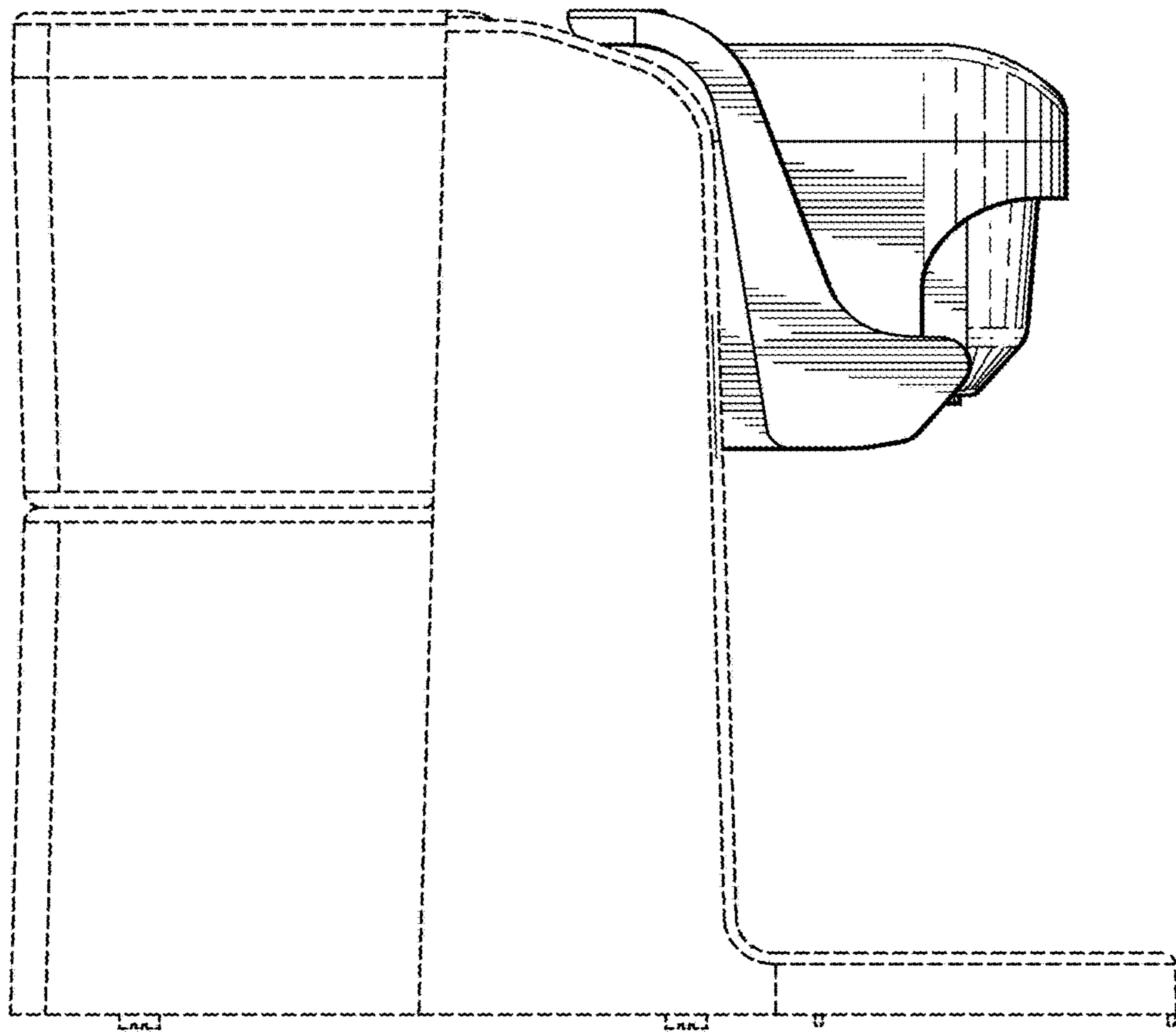


Fig. 6

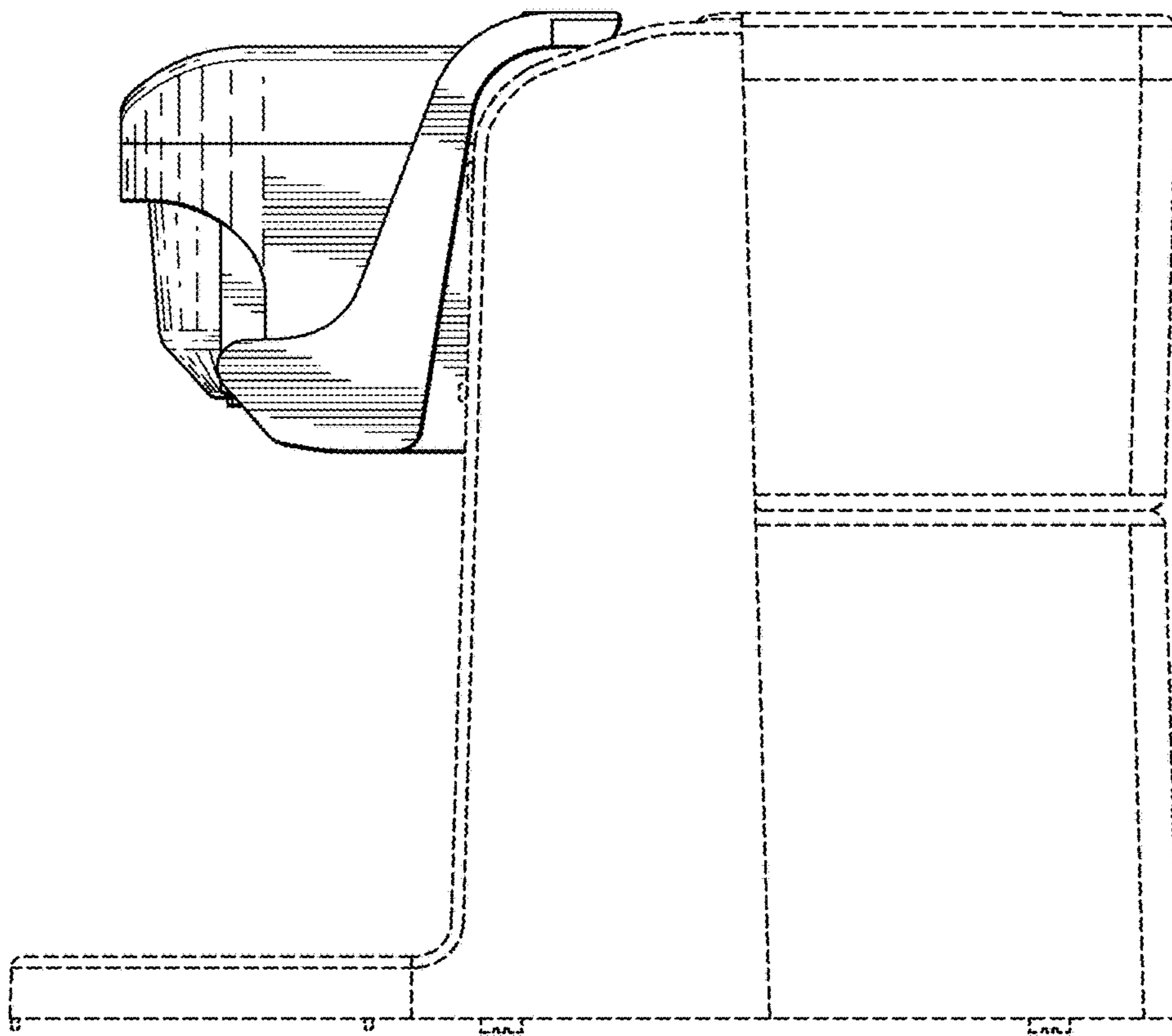


Fig. 7

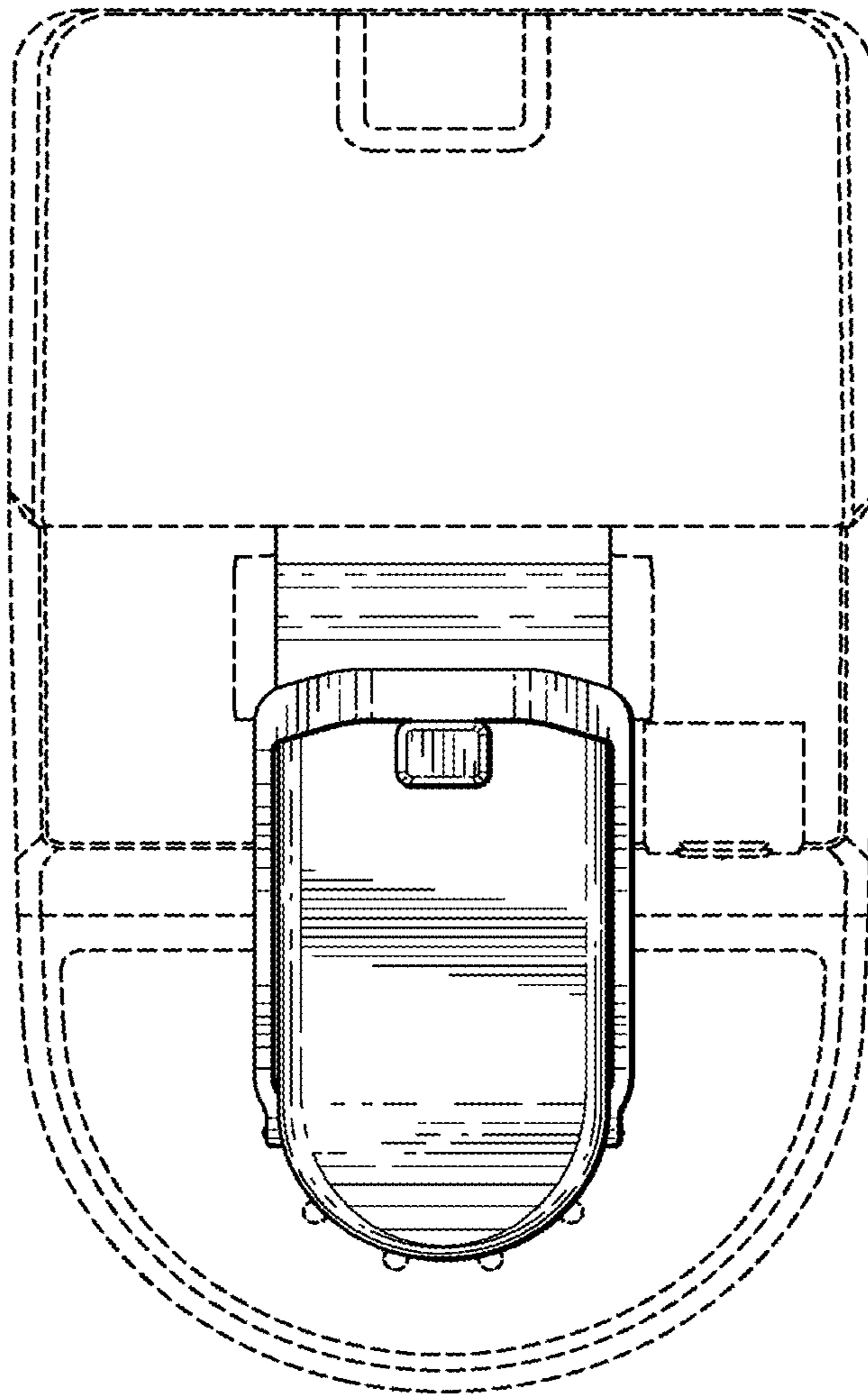


Fig. 8

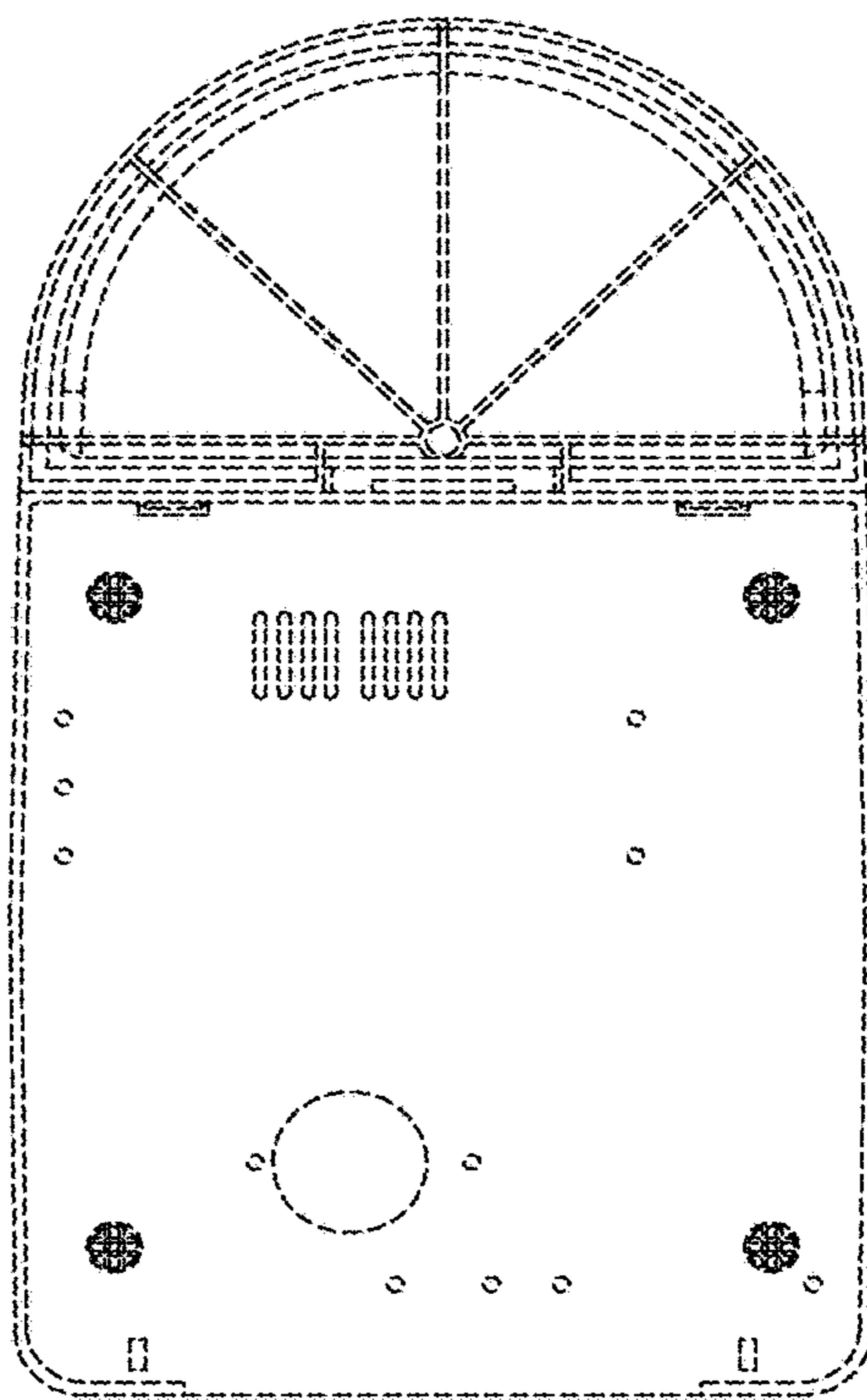


Fig. 9