



US00D812970S

(12) **United States Design Patent**
Rane et al.

(10) **Patent No.:** **US D812,970 S**
(45) **Date of Patent:** **** Mar. 20, 2018**

(54) **LID**

(71) Applicant: **YETI Coolers, LLC**, Austin, TX (US)

(72) Inventors: **Mark Rane**, Austin, TX (US); **Dustin Bullock**, Austin, TX (US); **Ian Cunningham**, Austin, TX (US)

(73) Assignee: **YETI Coolers, LLC**, Austin, TX (US)

(**) Term: **15 Years**

(21) Appl. No.: **29/587,374**

(22) Filed: **Dec. 13, 2016**

(51) **LOC (11) Cl.** **07-01**

(52) **U.S. Cl.**
USPC **D7/396.2**; D9/449

(58) **Field of Classification Search**
USPC D3/202, 318, 298; D7/213, 300, 300.1, D7/312-314, 316-319, 321, 322, 387, D7/392, 392.1, 396.2, 396.3, 397, 398, D7/510, 533, 394, 511; D9/434-436, D9/440, 443, 447, 499, 454, 448-450
CPC B65D 47/065; B65D 47/066
See application file for complete search history.

(56) **References Cited**

U.S. PATENT DOCUMENTS

164,198 A	6/1875	Barber	
573,212 A	12/1896	Friedman et al.	
1,372,115 A	3/1921	Bennis	
1,441,364 A	1/1923	Marshall	
D165,646 S *	1/1952	Fuld	D9/447
2,717,726 A	9/1955	Mart	
2,727,658 A	12/1955	Mart	
2,828,895 A	4/1958	Mart	

(Continued)

FOREIGN PATENT DOCUMENTS

CA	134384	11/2010
CA	157772	6/2015

(Continued)

OTHER PUBLICATIONS

Amazon. YETI Rambler Bottle Straw Cap. Sep. 23, 2017 [earliest online date], [site visited Oct. 26, 2017; Nov. 28, 2017]. Available from Internet, <URL:https://www.amazon.com/YETI-Rambler-Bottle-Straw-Bottles/dp/B071NZZXNF1/ref=sr_1_2?ie=UTF8&qid=15090498238,sr=8-2&keywords=YETI+RAMBLER+BOTTLE+STRAW+CAP>. (Year: 2017).*

(Continued)

Primary Examiner — Robert M. Spear

Assistant Examiner — Darcey E Heflin

(74) *Attorney, Agent, or Firm* — Banner & Witcoff, Ltd.

(57) **CLAIM**

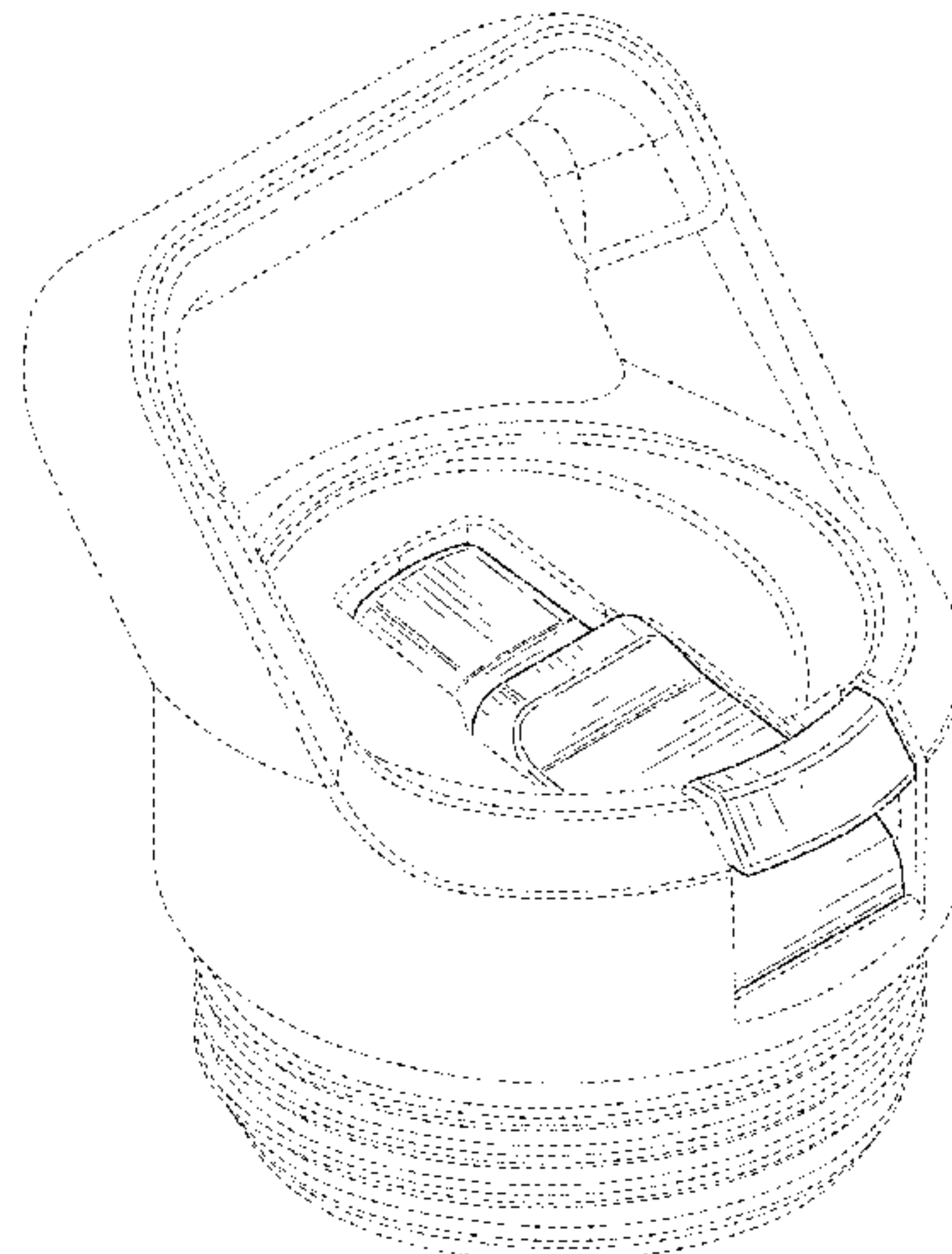
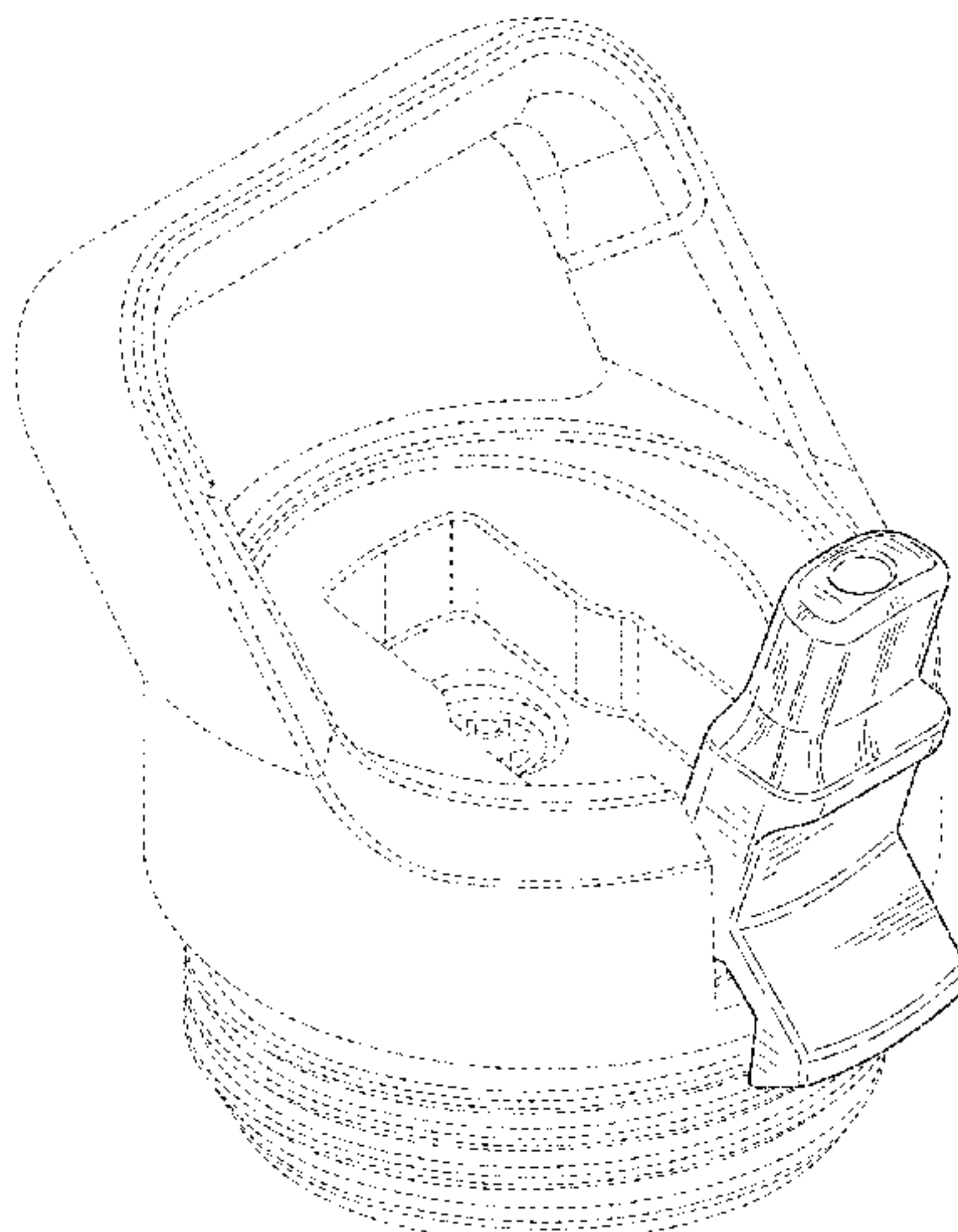
The ornamental design for a lid, as shown and described.

DESCRIPTION

FIG. 1 is a top, front, left perspective view of a lid showing our new design in an open position; FIG. 2 is a front view thereof; FIG. 3 is a rear view thereof; FIG. 4 is a right side view thereof; FIG. 5 is a left side view thereof; FIG. 6 is a top view thereof; FIG. 7 is a bottom view thereof; FIG. 8 is a top, front, left perspective view of a lid showing our new design in a closed position; FIG. 9 is a front view thereof; FIG. 10 is a rear view thereof; FIG. 11 is a right side view thereof; FIG. 12 is a left side view thereof; FIG. 13 is a top view thereof; and, FIG. 14 is a bottom view thereof.

The broken lines showing the remainder of the lid are for environmental purposes only and form no part of the claimed design.

1 Claim, 13 Drawing Sheets



(56)

References Cited

U.S. PATENT DOCUMENTS

2,839,227 A	6/1958	Burlinson		7,516,862 B2	4/2009	McDonough	
2,883,091 A	4/1959	Barravecchia		D592,905 S	5/2009	Pinelli et al.	
2,916,190 A	12/1959	Furn		D592,913 S	5/2009	Pinelli et al.	
2,936,934 A	5/1960	Kubiliunas		7,533,783 B2	5/2009	Choi et al.	
3,023,939 A	3/1962	Gustafson		D620,754 S	8/2010	Duke	
3,055,556 A	9/1962	Hester		7,766,057 B2	8/2010	Windmiller	
3,089,626 A	5/1963	Kubiliunas		D626,837 S	11/2010	Meyers et al.	
3,163,337 A	12/1964	Wilson		D626,838 S	11/2010	Meyers et al.	
3,181,743 A	5/1965	Libit		D632,176 S	2/2011	McKinney et al.	
3,251,516 A	5/1966	Thomas		D633,385 S *	3/2011	Baker	D9/447
D206,499 S *	12/1966	Wilson	D9/450	7,913,869 B2	3/2011	Cuocolo, Jr.	
3,318,494 A	5/1967	Mathison		D638,658 S	5/2011	Staton	
RE26,318 E	12/1967	Wilson		D641,625 S *	7/2011	Kaplan	D9/447
D214,722 S *	7/1969	Hazard	D9/450	D649,879 S	12/2011	Gullickson et al.	
D214,883 S *	8/1969	Hazard	D9/450	D651,847 S	1/2012	Gilbert	
3,477,618 A	11/1969	Hazard		D652,256 S	1/2012	Eyal	
3,495,745 A	2/1970	Akers		D653,081 S	1/2012	George	
3,502,248 A	3/1970	Libit		D654,793 S *	2/2012	Rosbach	D9/436
3,653,546 A	4/1972	Hazard		D659,531 S *	5/2012	Engel	D9/447
3,655,099 A	4/1972	Hazard		8,191,727 B2	6/2012	Davies et al.	
3,655,103 A	4/1972	Hazard		D668,116 S	10/2012	Eyal	
3,718,238 A	2/1973	Hazard et al.		D669,310 S	10/2012	Barreto et al.	
3,776,428 A	12/1973	Hazard		D669,732 S	10/2012	Hopkins et al.	
3,782,577 A	1/1974	Levey		D672,609 S	12/2012	Aziz et al.	
3,786,964 A	1/1974	Landen		8,376,162 B2	2/2013	Yang	
D230,691 S *	3/1974	Beckman	D7/392	8,376,173 B2	2/2013	Britto et al.	
3,863,818 A	2/1975	Hazard		D679,541 S	4/2013	Samartgis	
3,873,005 A	3/1975	Hazard		8,408,414 B2	4/2013	Roth et al.	
3,881,643 A	5/1975	LaVange		D682,034 S	5/2013	El-Saden et al.	
3,957,181 A	5/1976	Hazard		D683,581 S	6/2013	Archer	
4,015,756 A	4/1977	Beck		D685,606 S	7/2013	Keys et al.	
4,081,113 A	3/1978	Hazard		D688,093 S	8/2013	Roth et al.	
4,282,991 A	8/1981	Hazard		8,550,269 B2	10/2013	Lane	
4,440,327 A	4/1984	Dark		8,602,238 B2	12/2013	El-Saden et al.	
4,674,661 A	6/1987	Herold		D700,012 S	2/2014	Hurley et al.	
4,756,451 A	7/1988	Wilson		D700,014 S	2/2014	Zeanah	
D302,388 S *	7/1989	Huff	D9/447	8,662,359 B1	3/2014	Hickey	
4,903,870 A	2/1990	La Vange		8,672,155 B2	3/2014	Knierbein et al.	
5,085,336 A	2/1992	Lynd		8,672,174 B1	3/2014	McMullin	
5,203,468 A	4/1993	Hsu		D701,727 S	4/2014	Gilbert	
5,242,079 A	9/1993	Stephens et al.		8,689,989 B2	4/2014	Lane	
5,259,538 A	11/1993	Tardif		8,695,830 B2	4/2014	Meyers et al.	
5,273,172 A	12/1993	Rossbach et al.		D704,986 S	5/2014	Manies	
D351,761 S	10/1994	Feer		D707,124 S	6/2014	Blain et al.	
5,392,968 A	2/1995	Dark		D712,254 S	9/2014	Geis et al.	
5,477,994 A	12/1995	Feer et al.		D712,255 S	9/2014	Geis et al.	
D366,809 S	2/1996	Green		8,827,099 B2	9/2014	Joy et al.	
D367,206 S	2/1996	Green		8,839,974 B2	9/2014	Brandenburger et al.	
D369,943 S *	5/1996	Dark	D7/392.1	8,844,746 B2	9/2014	Meyers et al.	
D370,828 S	6/1996	Green		D716,657 S	11/2014	Caneer	
D371,048 S	6/1996	Green		D717,103 S	11/2014	Wilbur	
D387,621 S	12/1997	Sullivan et al.		D719,444 S	12/2014	Sullivan	
D396,380 S	7/1998	Lai et al.		D719,780 S	12/2014	Sullivan	
5,797,521 A	8/1998	Sobral		D720,184 S *	12/2014	Gilbert	D7/300.1
5,873,478 A	2/1999	Sullivan et al.		D720,217 S *	12/2014	Oates	D7/398
5,884,793 A	3/1999	Wang		D720,218 S	12/2014	Hutson et al.	
D408,220 S	4/1999	Chomik		D721,276 S	1/2015	Herbst	
5,961,010 A	10/1999	Smith		8,939,305 B2	1/2015	Meyers et al.	
6,050,433 A	4/2000	Russell et al.		D723,332 S	3/2015	Steel	
6,119,898 A	9/2000	Dark		D724,384 S	3/2015	Donovan et al.	
6,161,728 A	12/2000	Dark		9,010,952 B2	4/2015	Lenahan et al.	
D447,004 S	8/2001	Green		D729,569 S	5/2015	Herbst et al.	
6,390,341 B1	5/2002	Ohmi et al.		D730,694 S	6/2015	Elsaden et al.	
6,523,711 B1	2/2003	Hughes et al.		D732,892 S	6/2015	Keys et al.	
6,609,624 B2	8/2003	Goto et al.		D734,151 S	7/2015	Herbst	
D479,466 S *	9/2003	Bremner	D9/434	9,079,205 B2	7/2015	Hoskins	
6,619,518 B1	9/2003	Lee		9,113,698 B2	8/2015	Blain et al.	
6,662,972 B2	12/2003	Chu		D739,174 S	9/2015	Elsaden et al.	
D489,225 S	5/2004	Leinenweber		D742,174 S	11/2015	Roth et al.	
6,796,464 B1	9/2004	Tung		D742,230 S	11/2015	Charles	
7,059,490 B2	6/2006	Son		9,216,843 B2	12/2015	Sorensen et al.	
D524,909 S	7/2006	Bakke et al.		9,221,585 B1	12/2015	Wang	
7,124,917 B2	10/2006	Lee		D747,136 S *	1/2016	Lane	D7/396.2
7,152,767 B2	12/2006	Seelhofer		D747,924 S	1/2016	Roth et al.	
D547,607 S	7/2007	Forsman		D748,429 S	2/2016	Lv	
				D748,943 S	2/2016	Miller et al.	
				D750,428 S	3/2016	Keys et al.	
				9,272,822 B2	3/2016	Samartgis	
				D752,916 S	4/2016	Goodwin et al.	

(56)

References Cited

U.S. PATENT DOCUMENTS

9,320,375 B2 4/2016 Sweeney et al.
 9,324,387 B2 4/2016 Kim
 D755,630 S * 5/2016 Marraccini D9/447
 D756,702 S 5/2016 Joseph et al.
 D758,127 S 6/2016 Zhao
 D760,080 S 6/2016 Gorbald
 D760,586 S 7/2016 Seiders et al.
 9,380,898 B2 7/2016 Mason
 9,392,893 B2 7/2016 Sorensen et al.
 D763,688 S 8/2016 Breit et al.
 D767,336 S 9/2016 Waggoner et al.
 D767,337 S 9/2016 Boroski et al.
 9,439,524 B2 9/2016 Liang
 D777,508 S 1/2017 Goodwin et al.
 D780,577 S 3/2017 Seiders et al.
 D781,145 S 3/2017 Seiders et al.
 D781,146 S 3/2017 Seiders et al.
 D781,640 S 3/2017 Roth et al.
 D784,764 S * 4/2017 Yao D7/510
 D786,671 S 5/2017 Khetarpaul et al.
 D786,676 S * 5/2017 Bloc D9/449
 D790,285 S 6/2017 Seiders et al.
 D791,532 S 7/2017 Yao
 D792,216 S 7/2017 Breit et al.
 D799,320 S * 10/2017 Goodwin D9/447
 2005/0150916 A1 7/2005 De Laforcade
 2008/0128418 A1 6/2008 Ahn
 2008/0272122 A1 11/2008 Son
 2009/0026218 A1 1/2009 Wong
 2009/0120946 A1 5/2009 Hung
 2010/0193462 A1 8/2010 Roth et al.
 2012/0129127 A1 5/2012 Boehm et al.
 2012/0181277 A1 7/2012 Wang-Wu
 2012/0187075 A1 * 7/2012 Ei-Saden B65D 47/066
 215/389
 2012/0305559 A1 12/2012 Steininger
 2013/0140316 A1 6/2013 Flowers et al.
 2014/0353275 A1 12/2014 Hung
 2015/0001257 A1 1/2015 Sell
 2015/0069079 A1 3/2015 Son
 2015/0353259 A1 12/2015 Burden
 2016/0207672 A1 7/2016 Wong
 2017/0283132 A1 * 10/2017 Sorensen B65D 43/26

FOREIGN PATENT DOCUMENTS

CA 159557 6/2015
 CA 162963 1/2016

CN 301899162 5/2012
 CN 302872285 7/2014
 CN 302872286 7/2014
 CN 303028240 12/2014
 CN 303081221 1/2015
 CN 303213763 5/2015
 CN 303344745 8/2015
 CN 303346260 8/2015
 CN 303407421 10/2015
 CN 303435461 11/2015
 CN 303528488 12/2015
 CN 303602375 3/2016
 CN 303639541 4/2016
 CN 303688752 6/2016
 CN 303688753 6/2016
 CN 303697502 6/2016
 CN 303708071 6/2016
 CN 303716155 6/2016
 CN 303734775 7/2016
 CN 303822788 8/2016
 DE 402015001125-0001 3/2016
 EM 001981911-0001 1/2012
 EM 001981911-0002 1/2012
 EM 001981911-0003 1/2012
 EM 001981911-0004 1/2012
 EM 002491571-0001 8/2014
 EM 003163369-0007 6/2016
 EM 003163369-0012 6/2016
 EM 003125830-0001 7/2016
 EM 003125830-0003 7/2016
 EM 003125830-0004 7/2016
 EM 003298629-0002 9/2016
 GB 2045987 7/1995
 JP D1525152 6/2015
 KR 3008064250001 7/2015
 MX 042045-0001 8/2014
 MX 043759-0001 5/2015
 WO 9802363 1/1998
 WO 9807633 2/1998

OTHER PUBLICATIONS

Amazon. Glink—Straw Lid/Cap Hydro Flask Standard Mouth Sports Water Bottle with 2 Plastic Straws, Multi-Compatible with Standard Mouth Stainless Steel Water Bottles. Oct. 11, 2016 [earliest online date], [site visited Jul. 31, 2017]. Available from Internet, <URL:https://www.amazon.com/Giink-Standard-Piastic-Multi-Compatible-Stainless/dp/B01 MREDI8K>.

* cited by examiner

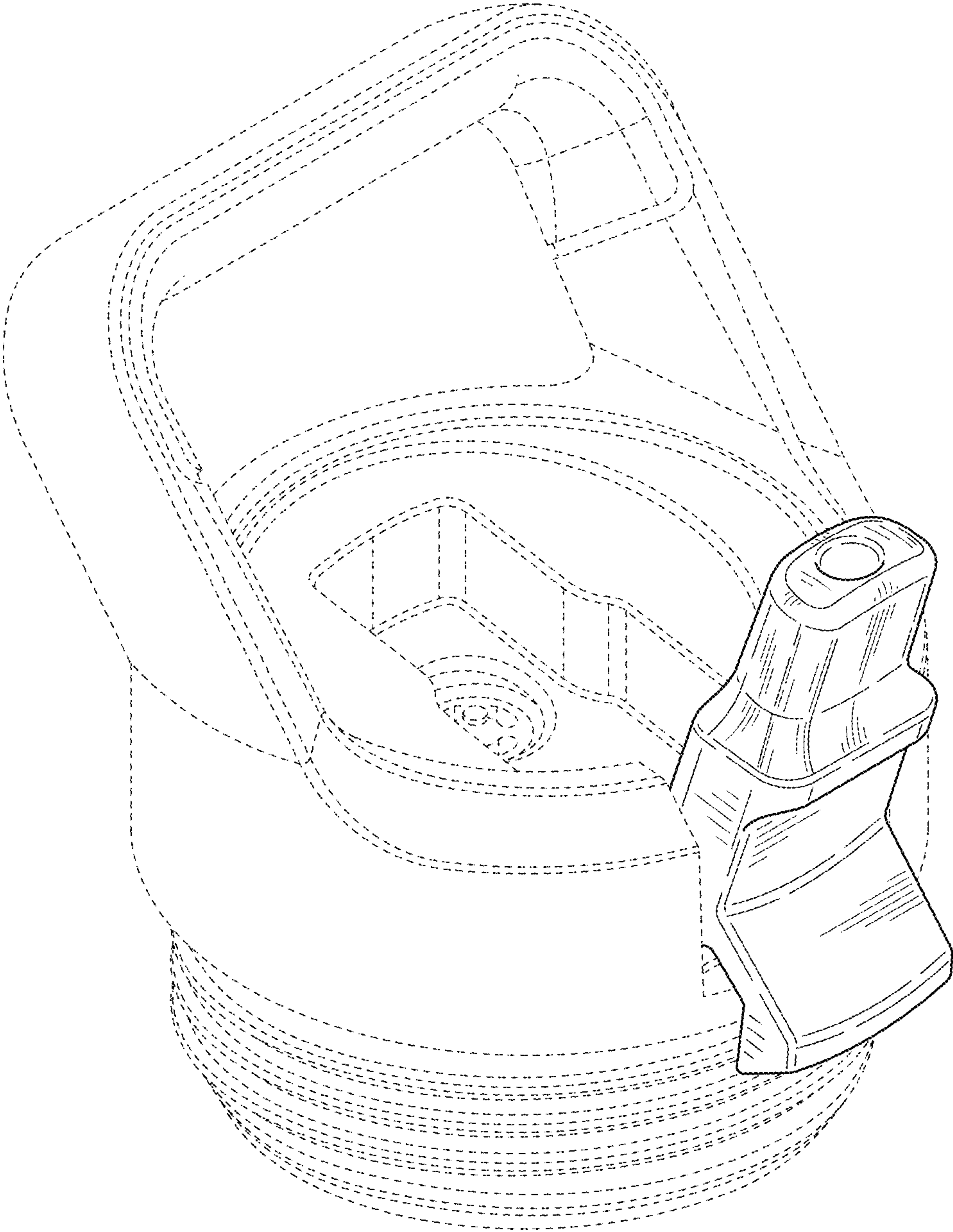


FIG. 1

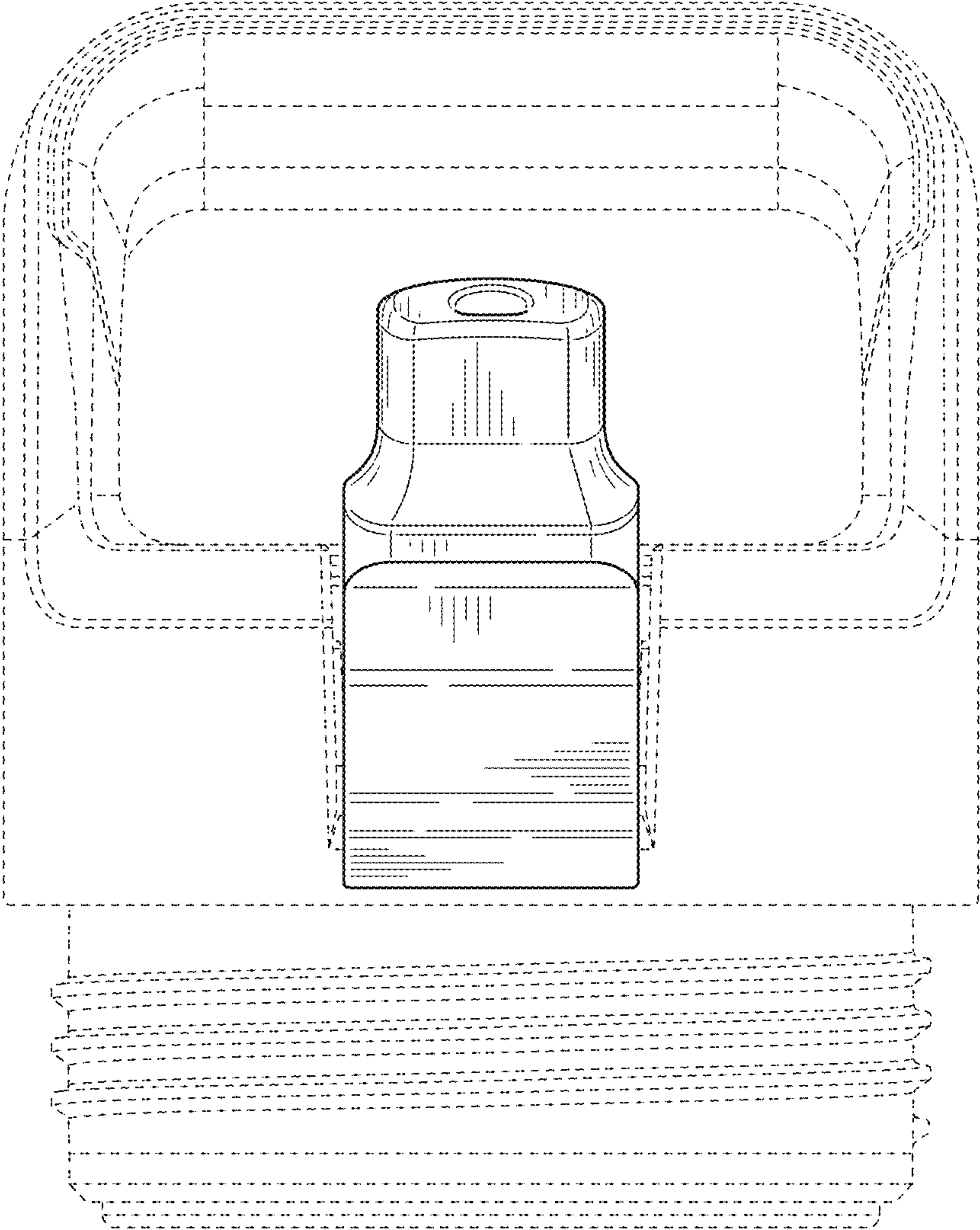


FIG. 2

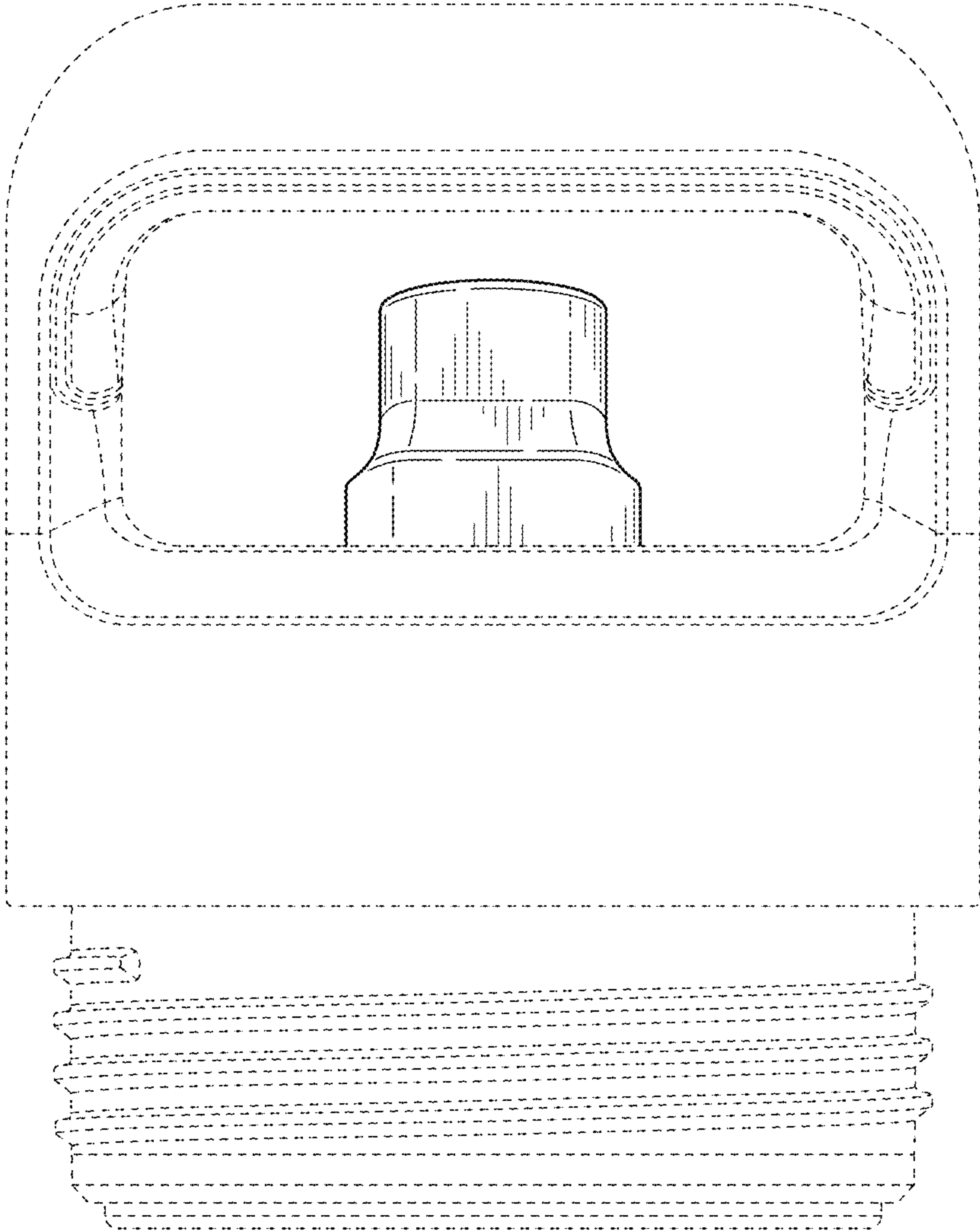


FIG. 3

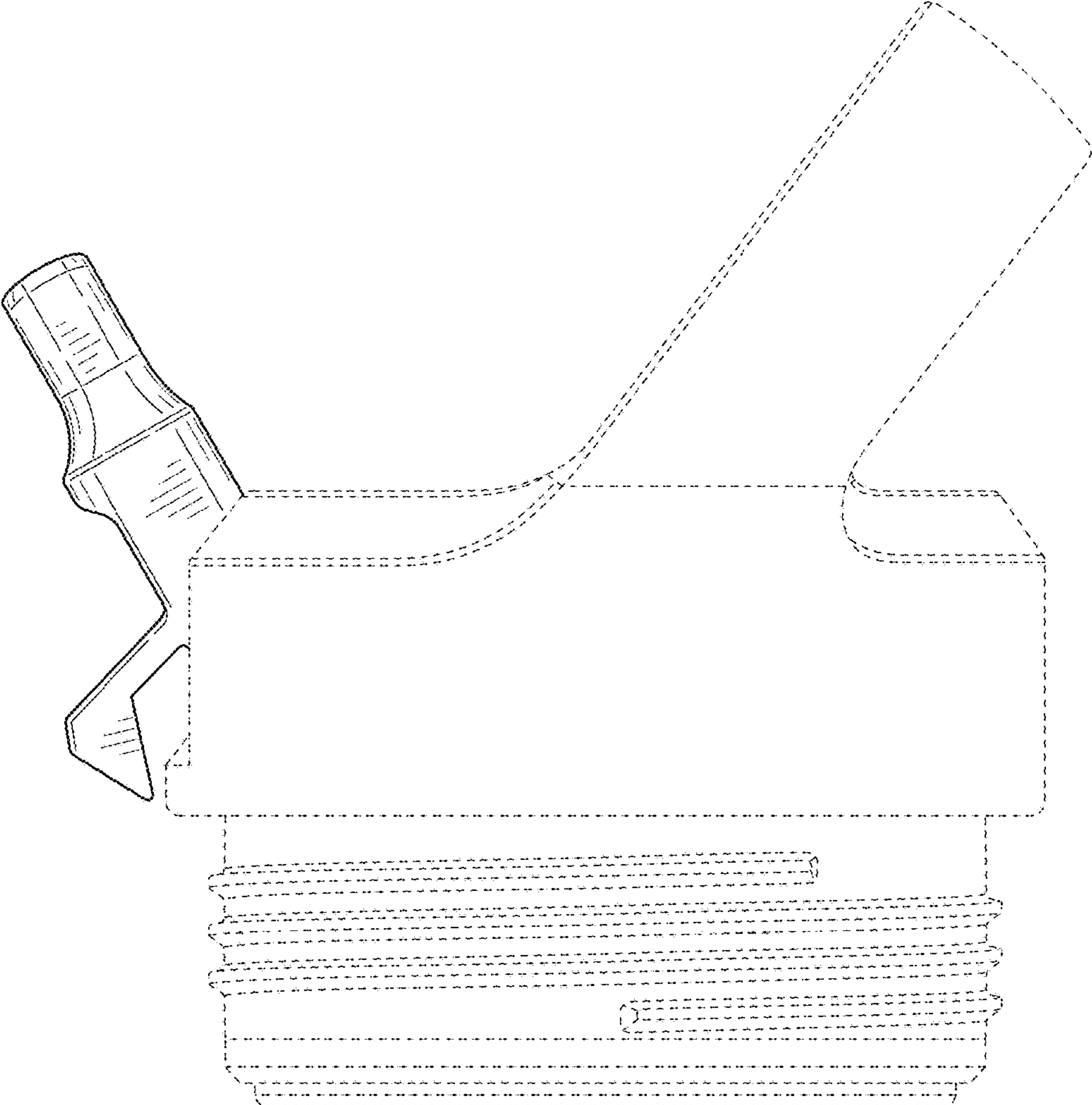


FIG. 4

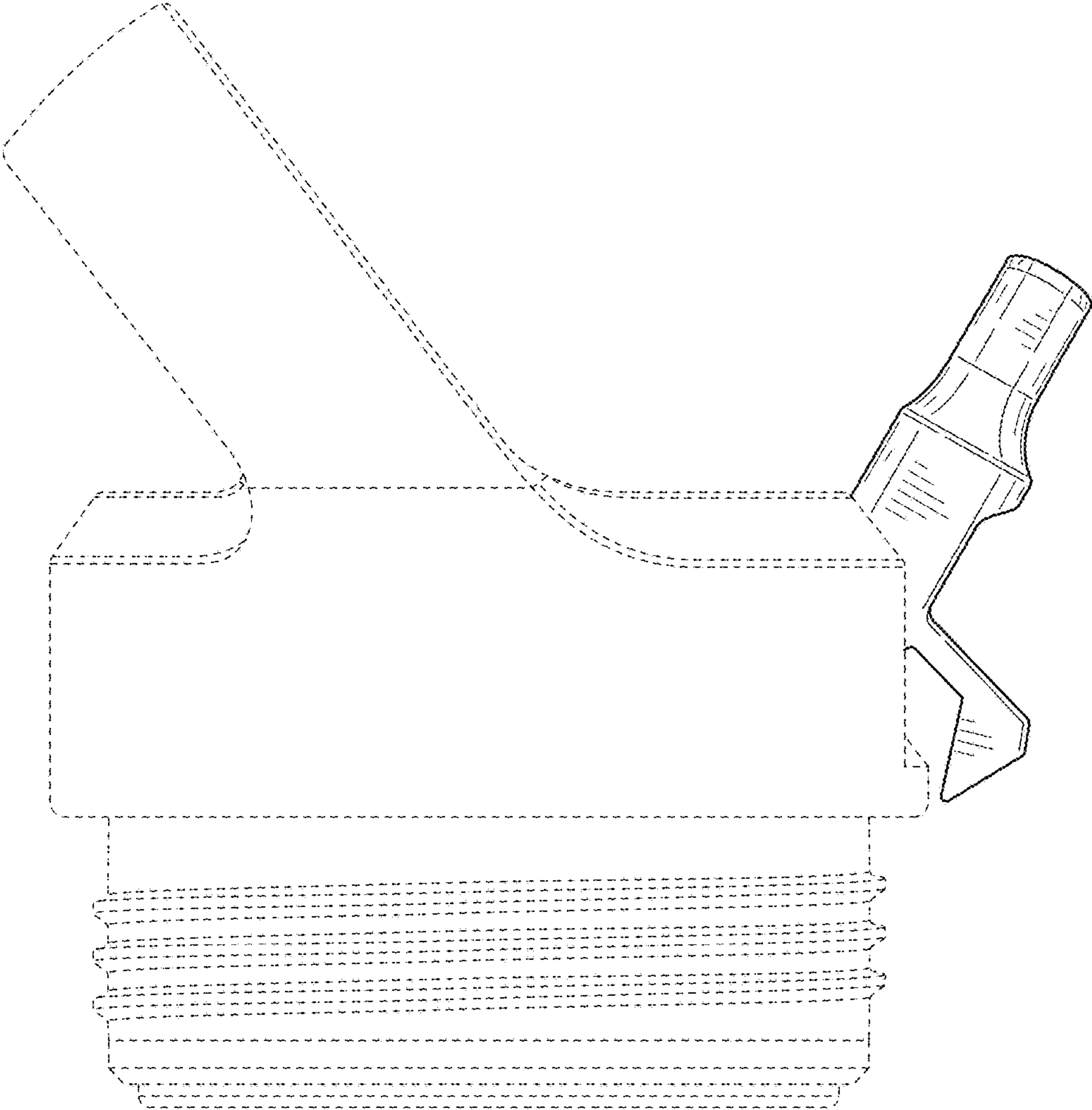


FIG. 5

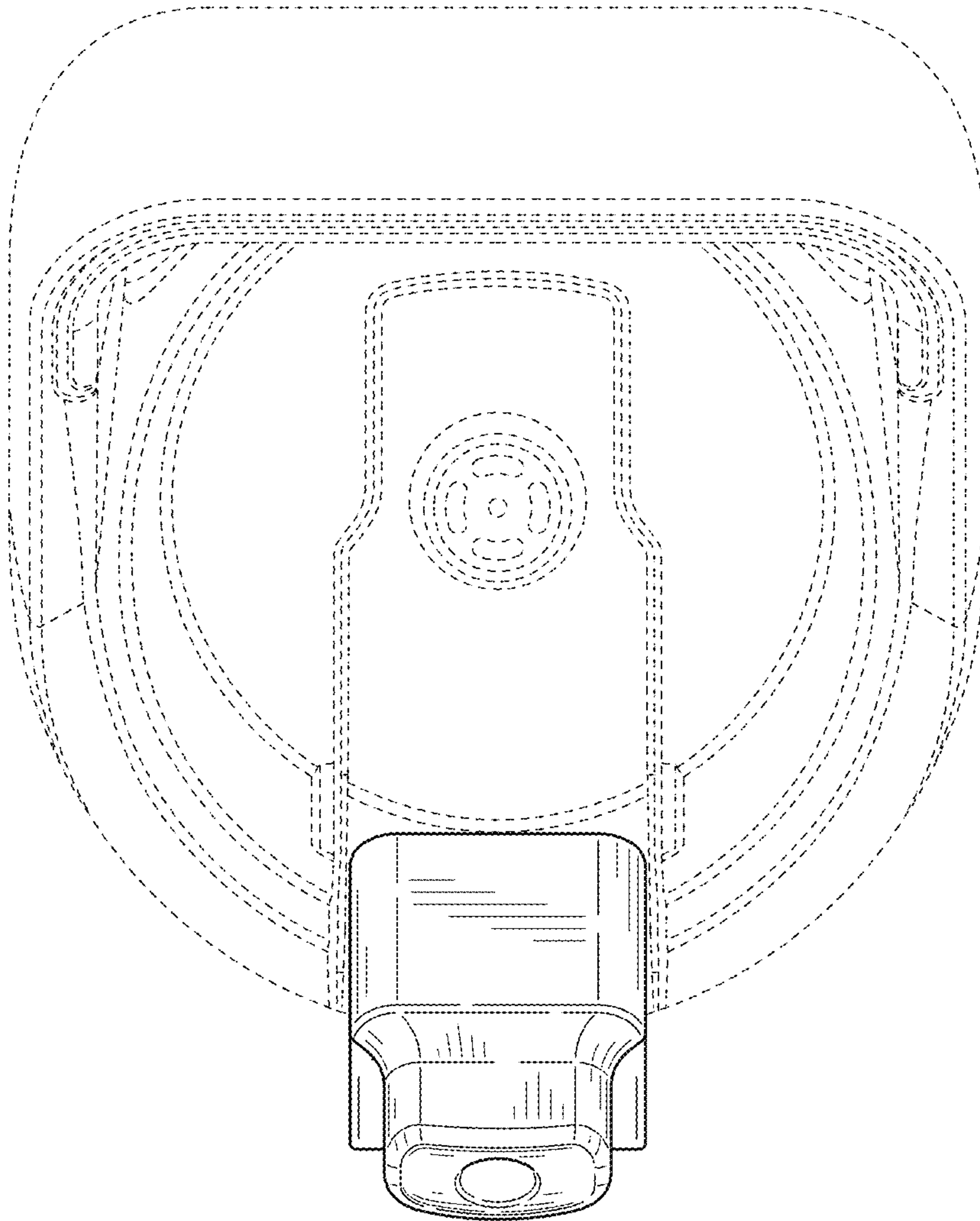


FIG. 6

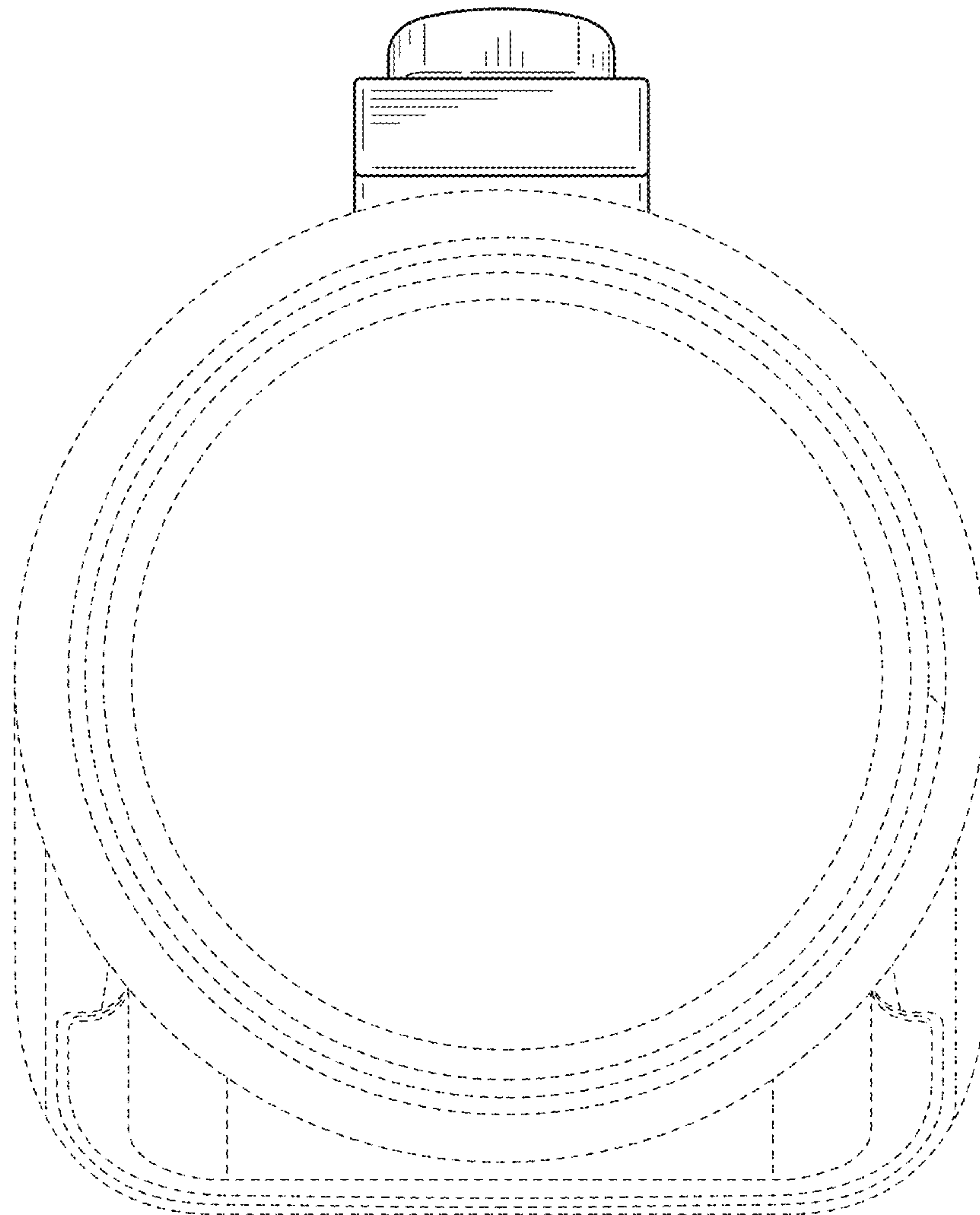


FIG. 7

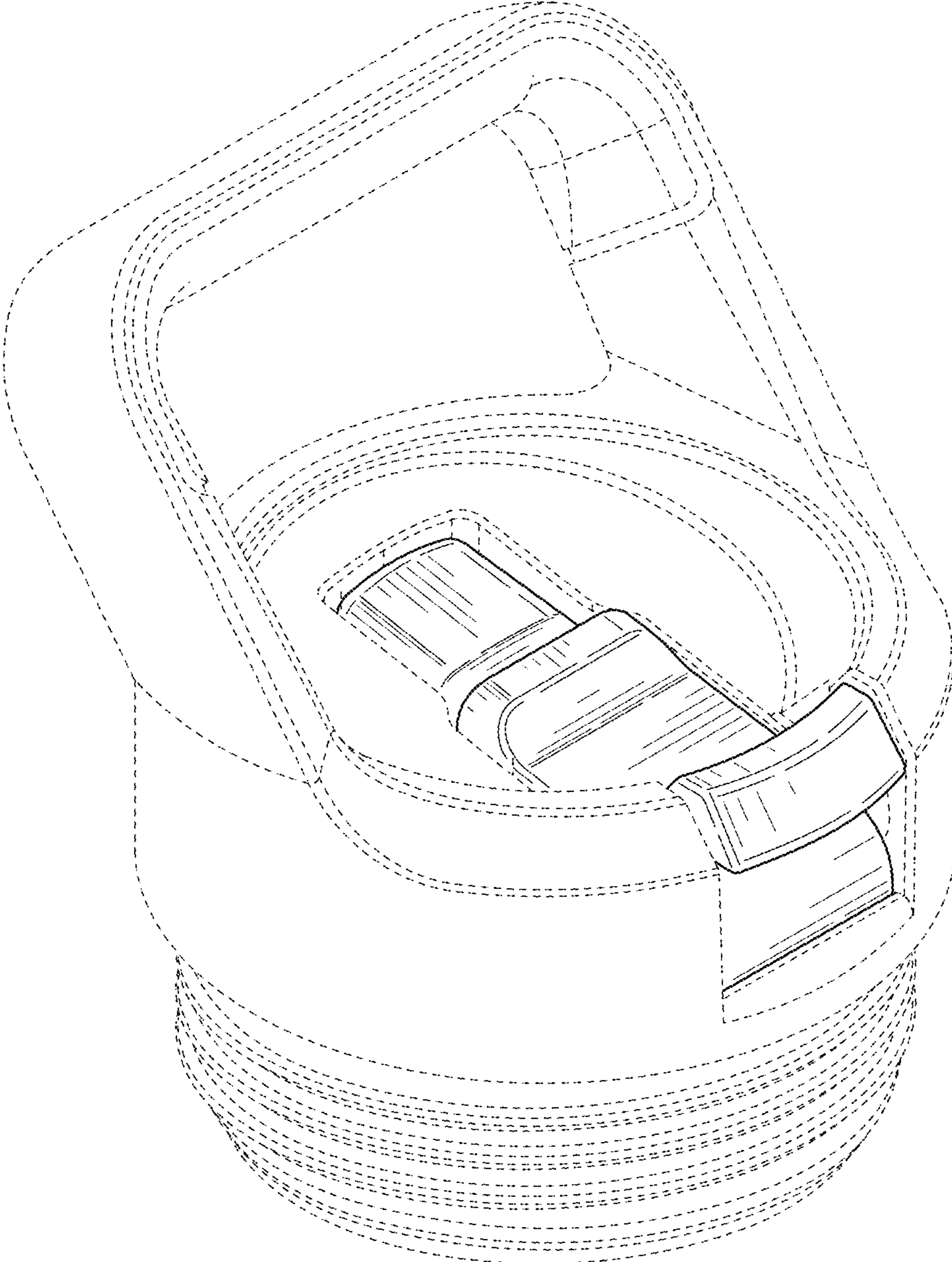


FIG. 8

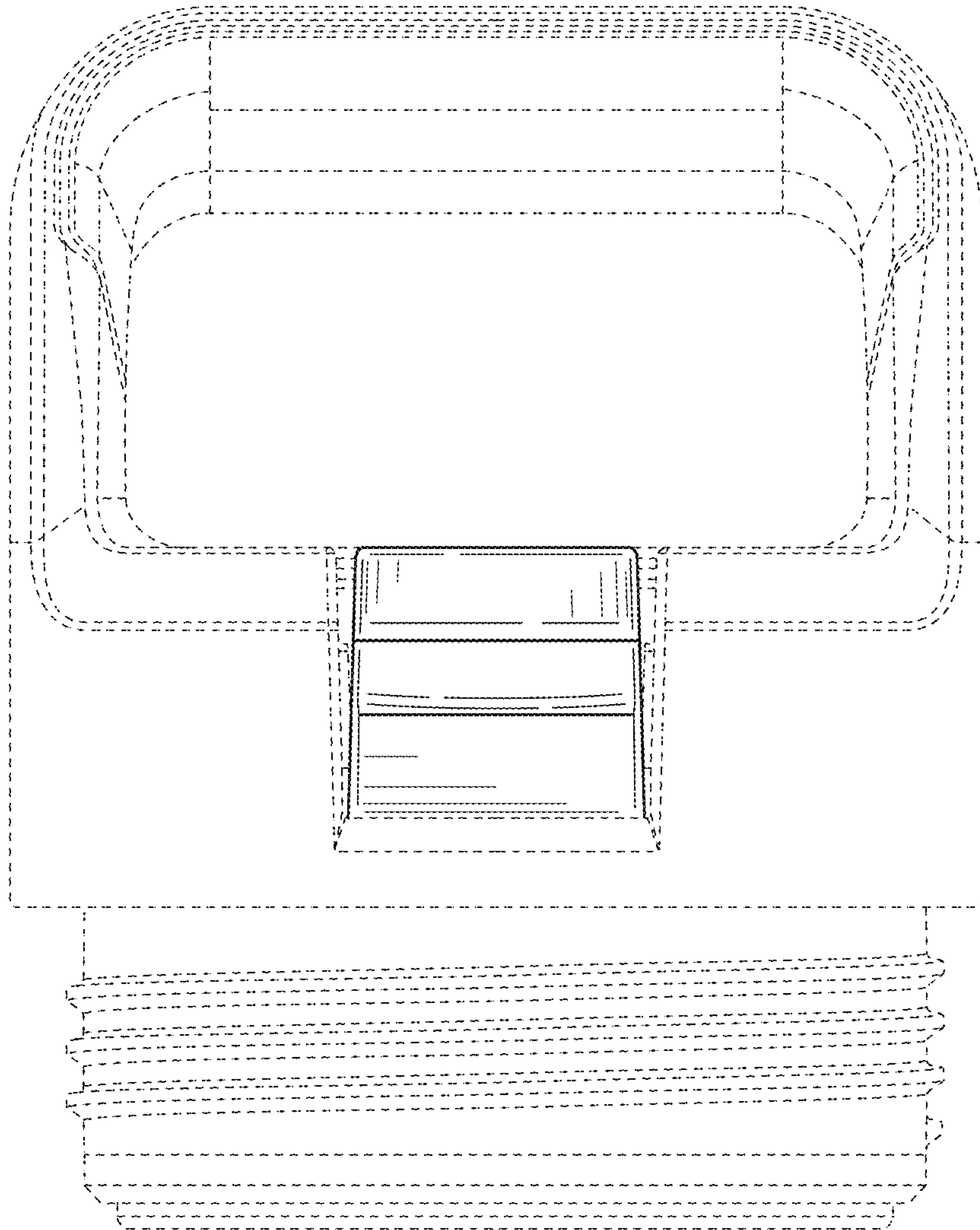


FIG. 9

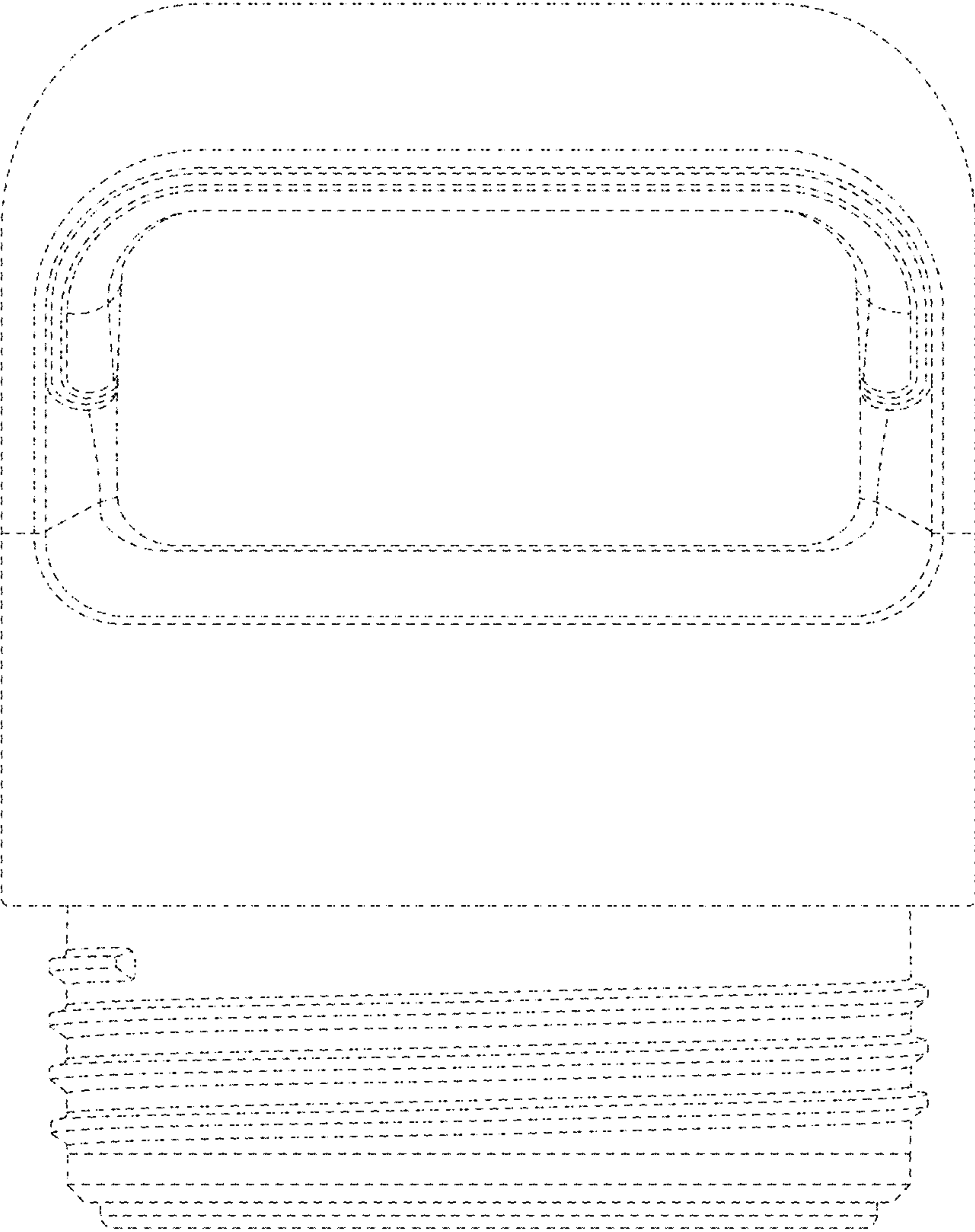


FIG. 10

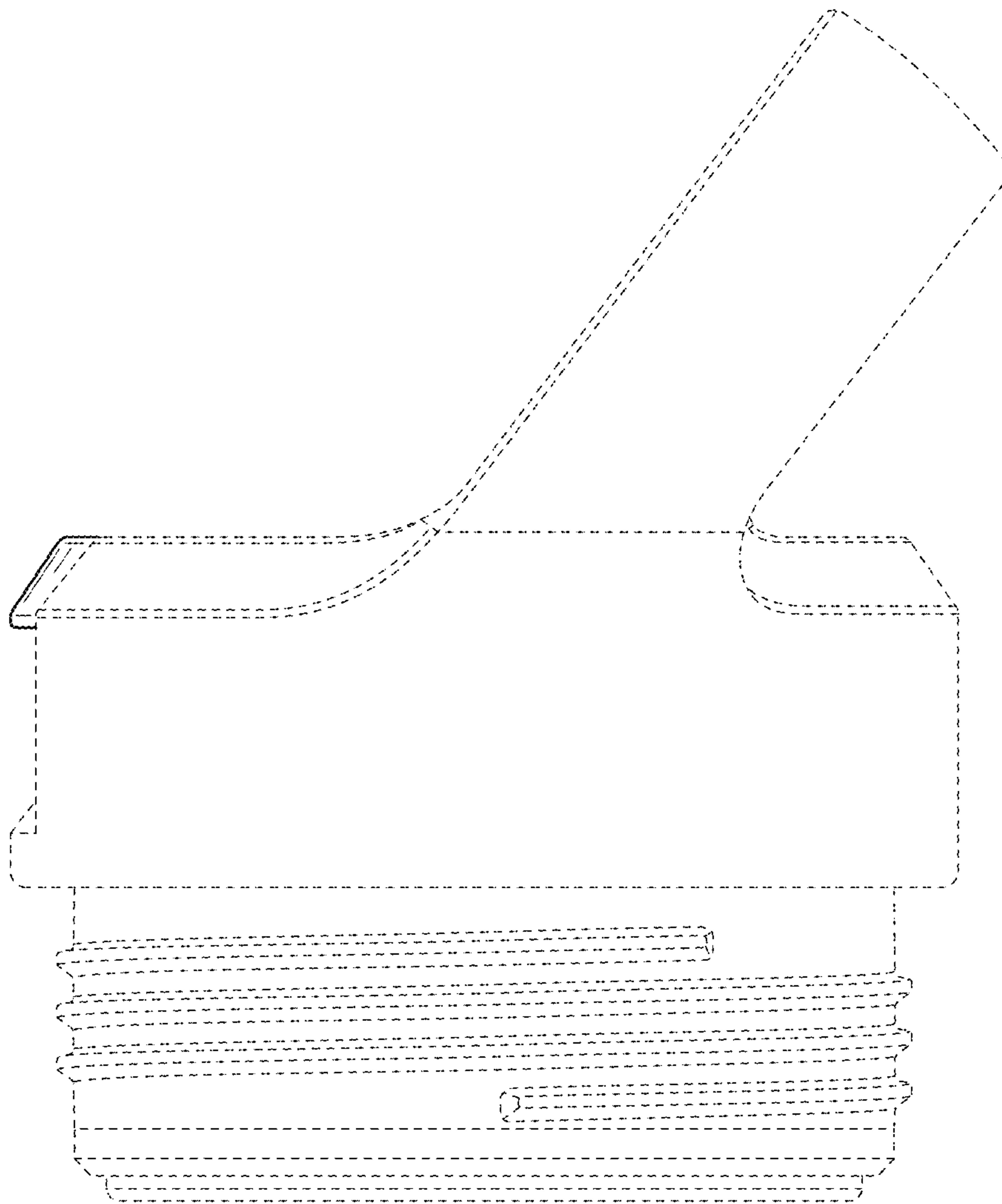


FIG. 11

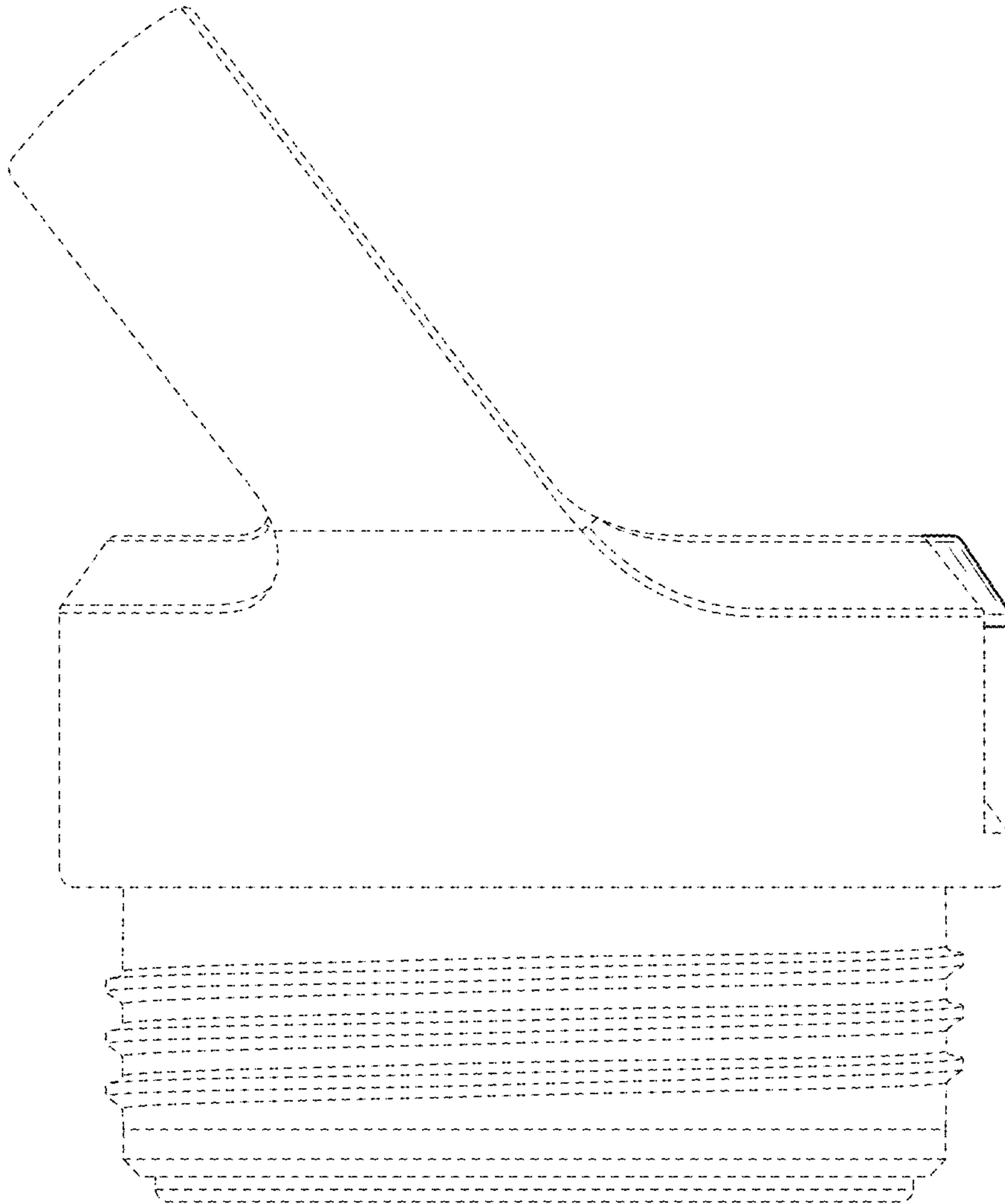


FIG. 12

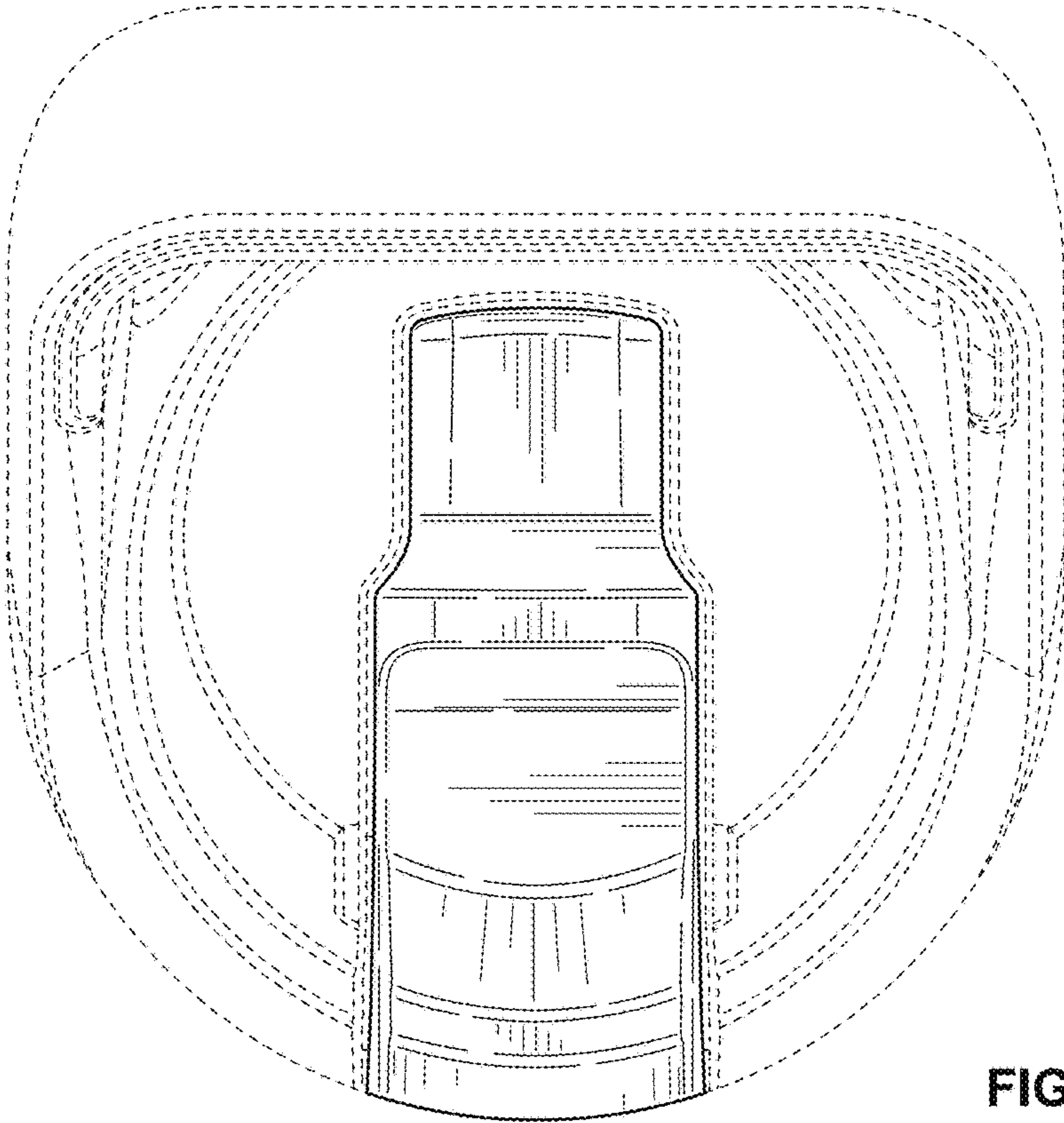


FIG. 13

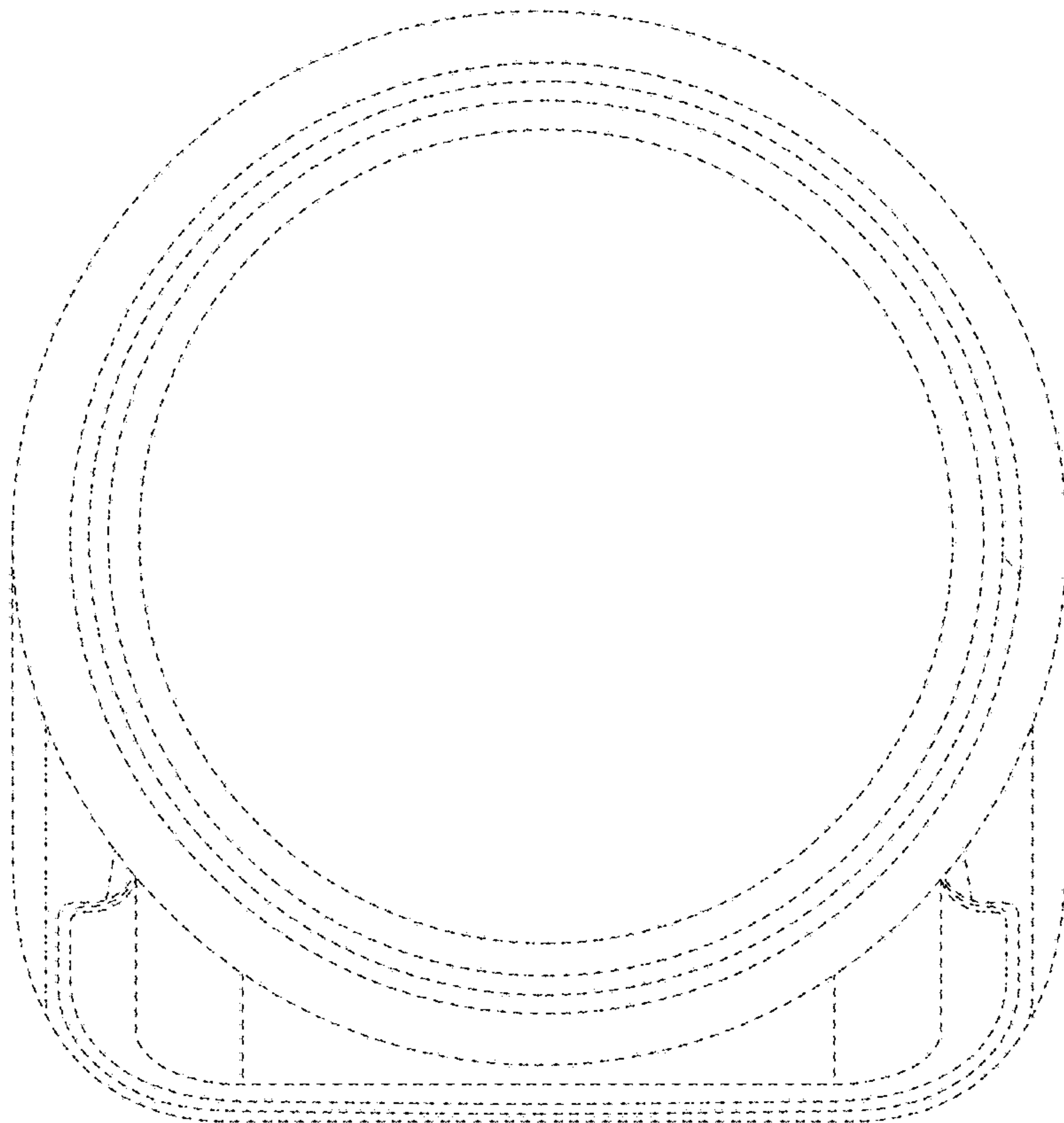


FIG. 14