



US00D812968S

(12) **United States Design Patent**
Narvaez Lopez et al.

(10) **Patent No.:** **US D812,968 S**
(45) **Date of Patent:** **** Mar. 20, 2018**

(54) **LOOP-HANDLE FOR COOKING UTENSILS AND APPARATUS**

(71) Applicant: **All-Clad Metalcrafters LLC**,
Canonsburg, PA (US)

(72) Inventors: **Dario Alejandro Narvaez Lopez**,
North Bergen, NJ (US); **Alberto Mantilla**,
Rego Park, NY (US); **Carlos Gonzalez**,
Sunnyside, NY (US); **Mauricio Issa**,
Rego Park, NY (US); **Anthony J. Baxter**,
Upper Montclair, NJ (US)

(73) Assignee: **All-Clad Metalcrafters LLC**,
Canonsburg, PA (US)

(**) Term: **15 Years**

(21) Appl. No.: **29/576,062**

(22) Filed: **Aug. 31, 2016**

(51) **LOC (11) Cl.** **07-02**

(52) **U.S. Cl.**
USPC **D7/394**

(58) **Field of Classification Search**
USPC D7/354–361, 391, 393–395, 396.2, 514,
D7/664; D8/107, 300, 301, 306, 315,
D8/316, 317, 319, 320, 321; D3/318
CPC A47J 45/06; A47J 45/061; A47J 45/62;
A47J 45/08; A47J 45/085; B65D
25/2802; B65D 25/2882; B65D 25/2885;
B65D 25/2888; B65D 25/2894; Y10S
220/912

See application file for complete search history.

(56) **References Cited**

U.S. PATENT DOCUMENTS

D588,402 S * 3/2009 Rae D7/394
D614,911 S * 5/2010 Pantaleo D7/394

D644,481 S 9/2011 Groll
D667,684 S * 9/2012 Rae D7/394
D667,686 S * 9/2012 Rae D7/394
D703,999 S 5/2014 Delassus
D704,988 S * 5/2014 Rae D7/394
D704,994 S 5/2014 Clabots
D704,995 S * 5/2014 Rae D7/394
D705,595 S * 5/2014 Rae D7/394
D728,995 S * 5/2015 Barberi D7/394
D740,603 S * 10/2015 Barberi D7/394
D758,128 S * 6/2016 McConnell D7/394
D783,342 S * 4/2017 Barberi D7/394

* cited by examiner

Primary Examiner — Cynthia M Chin

(74) *Attorney, Agent, or Firm* — The Webb Law Firm

(57) **CLAIM**

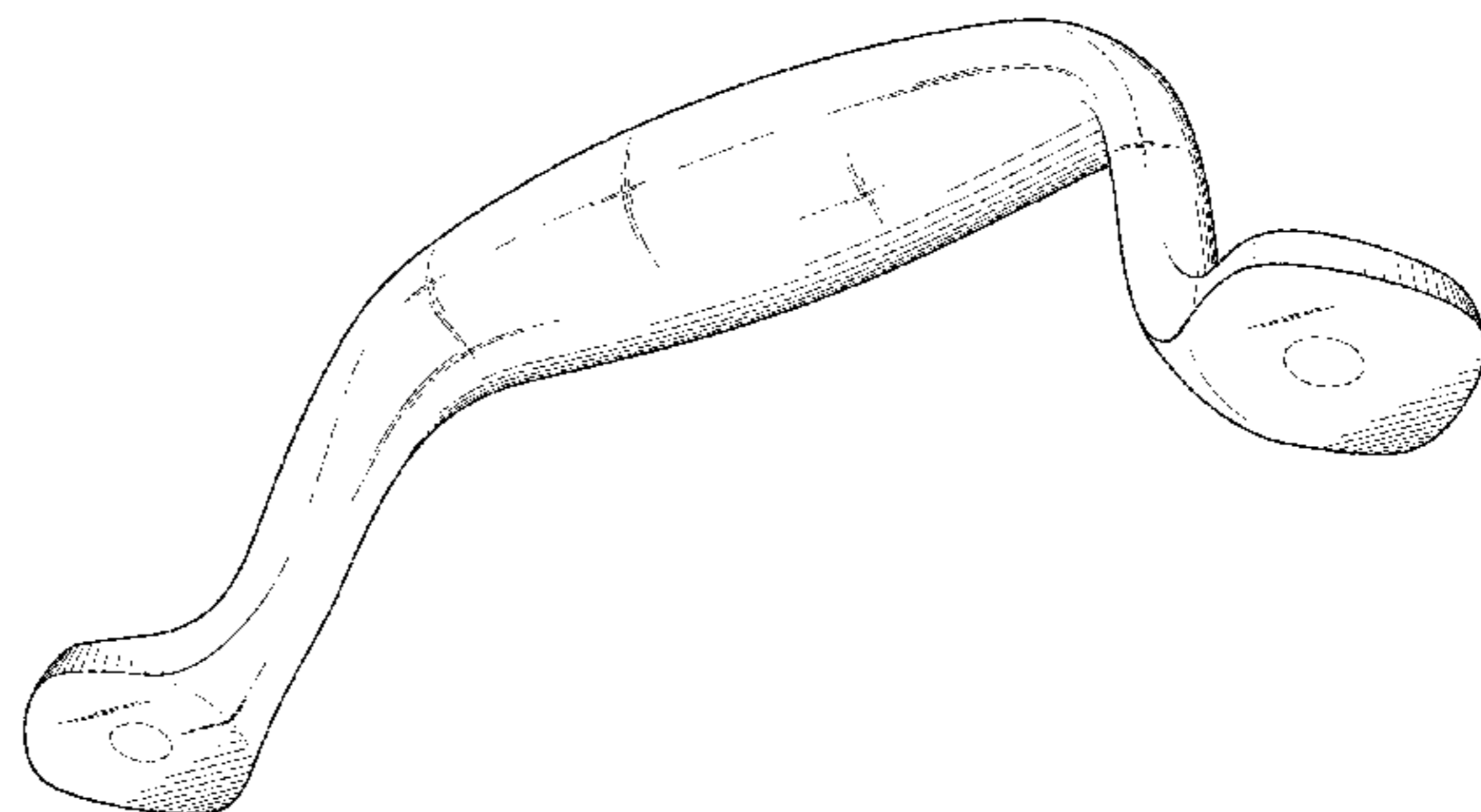
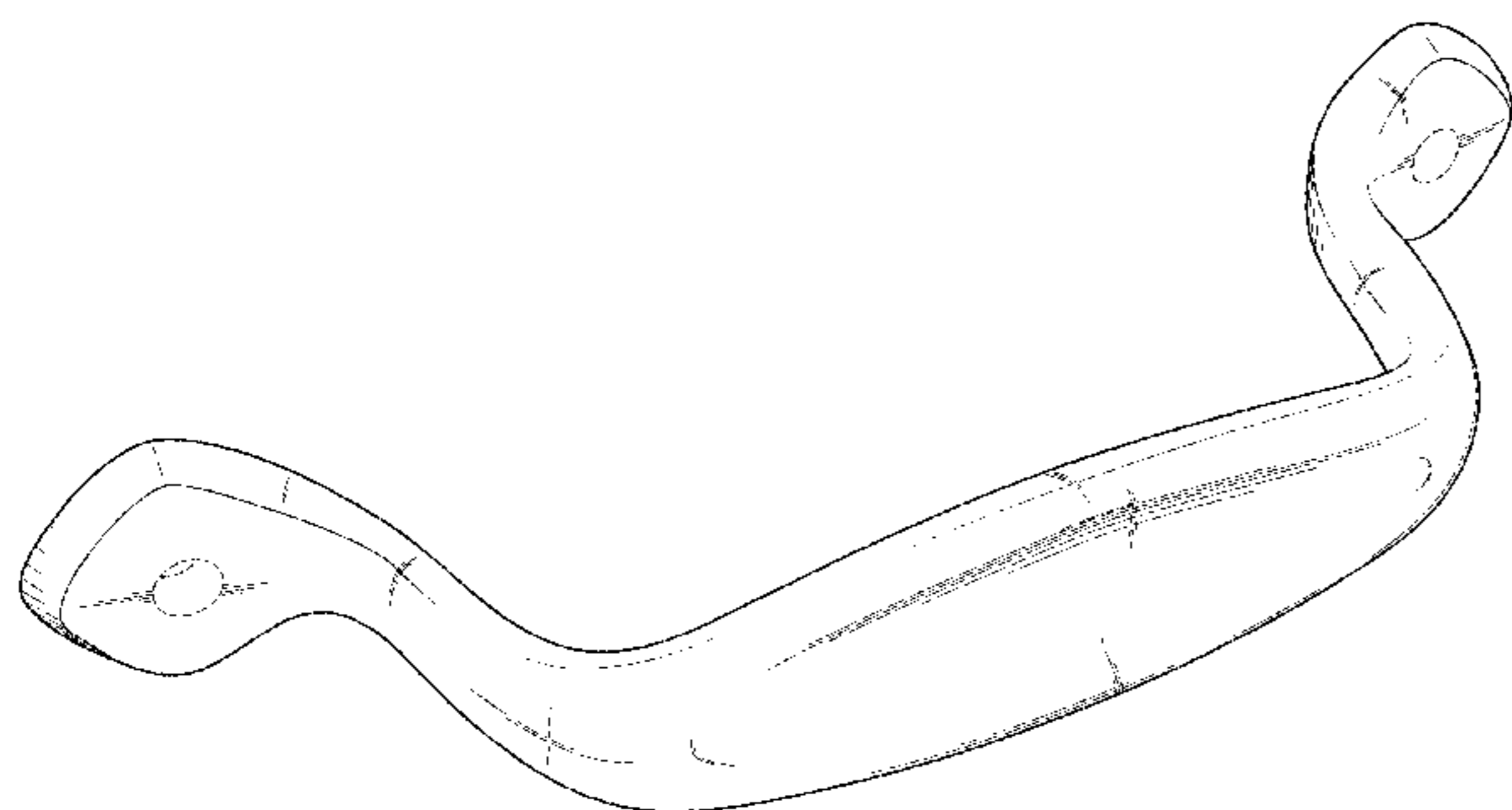
The ornamental design for a loop-handle for cooking utensils and apparatus, as shown and described.

DESCRIPTION

FIG. 1 is an upper perspective view of a loop-handle for cooking utensils and apparatus showing our new design; FIG. 2 is a lower perspective view thereof; FIG. 3 is a front view thereof; FIG. 4 is a rear view thereof; FIG. 5 is a top view thereof; FIG. 6 is a bottom view thereof; FIG. 7 is a left side view thereof; and, FIG. 8 is a right side view thereof.

The portions of the loop-handle for cooking utensils and apparatus shown in broken lines form no part of the claimed design.

1 Claim, 5 Drawing Sheets



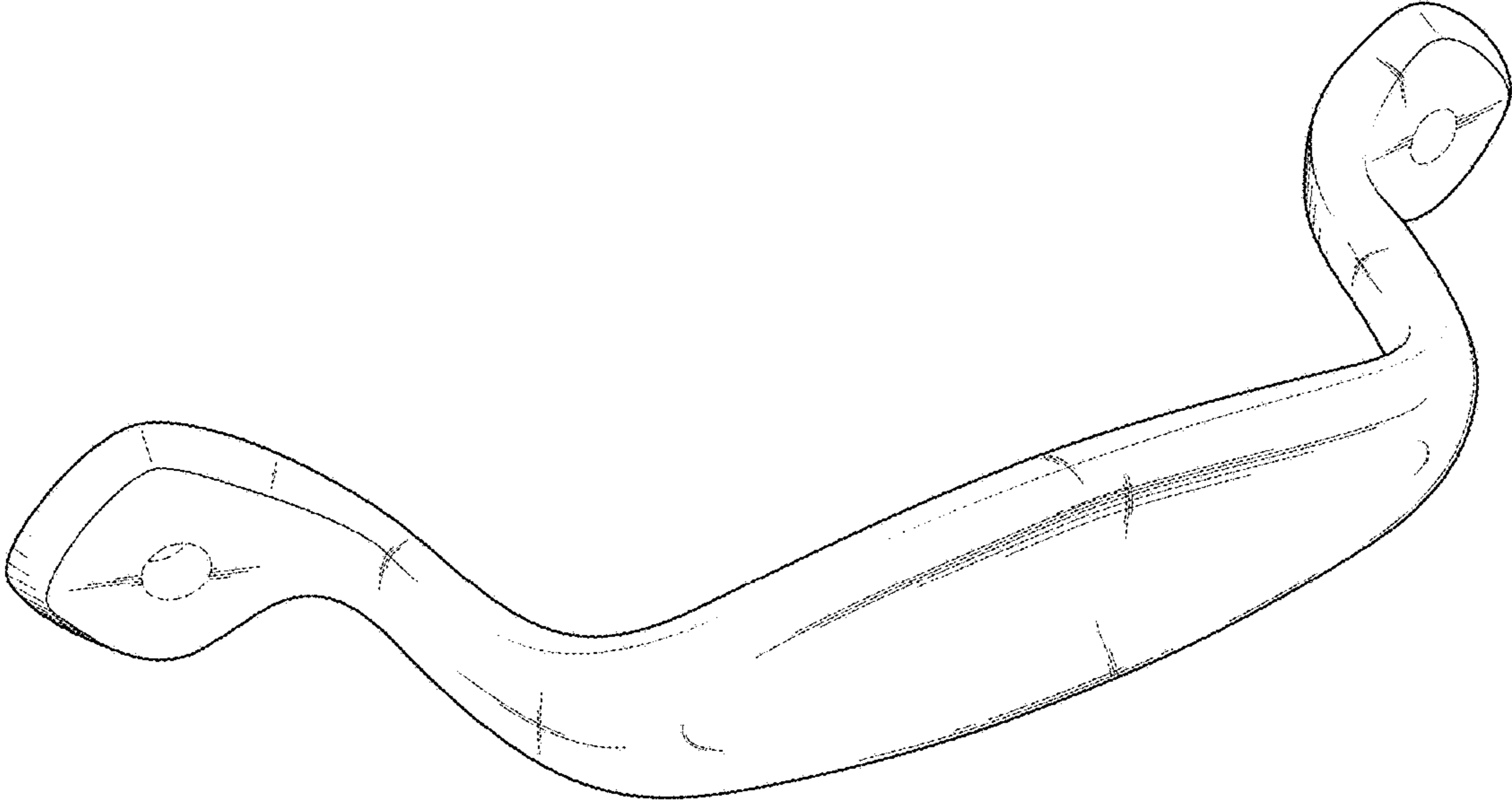


FIG. 1

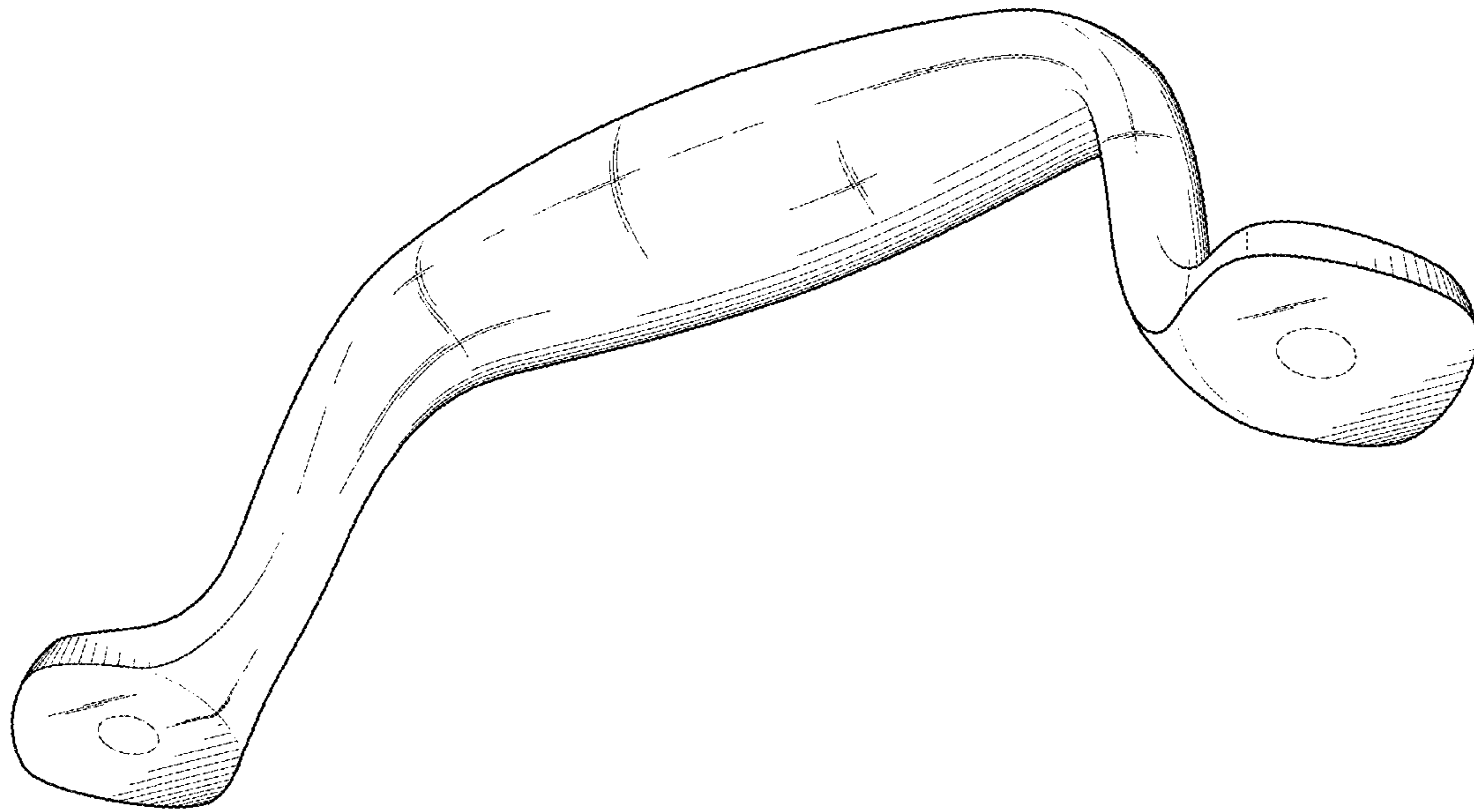


FIG. 2

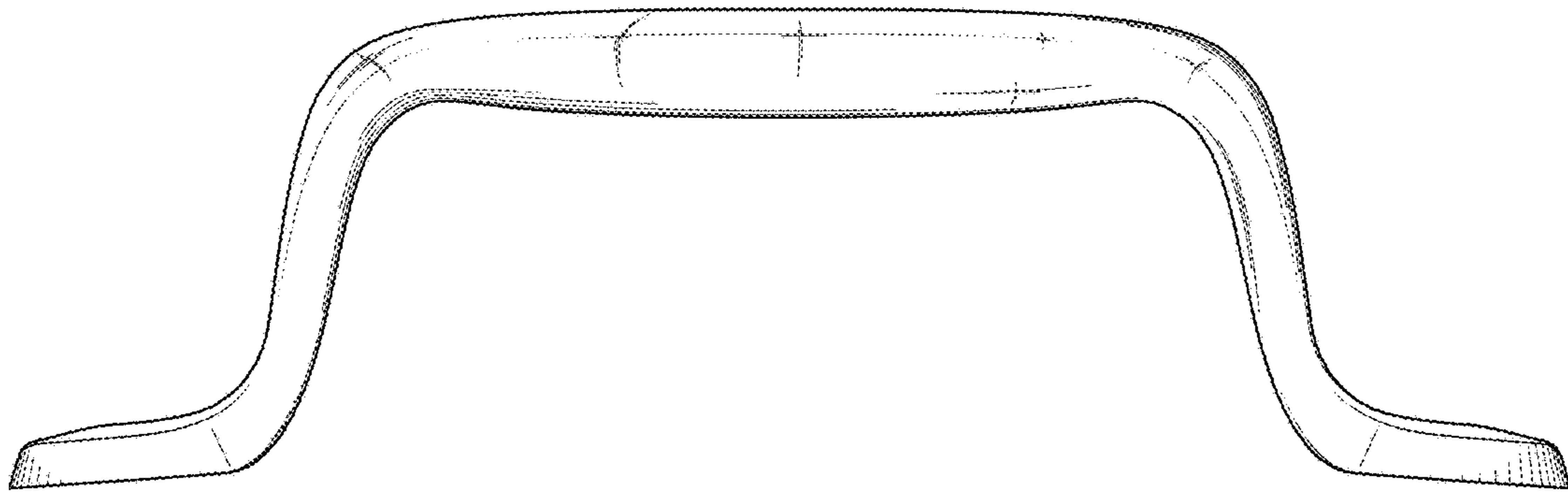


FIG. 3

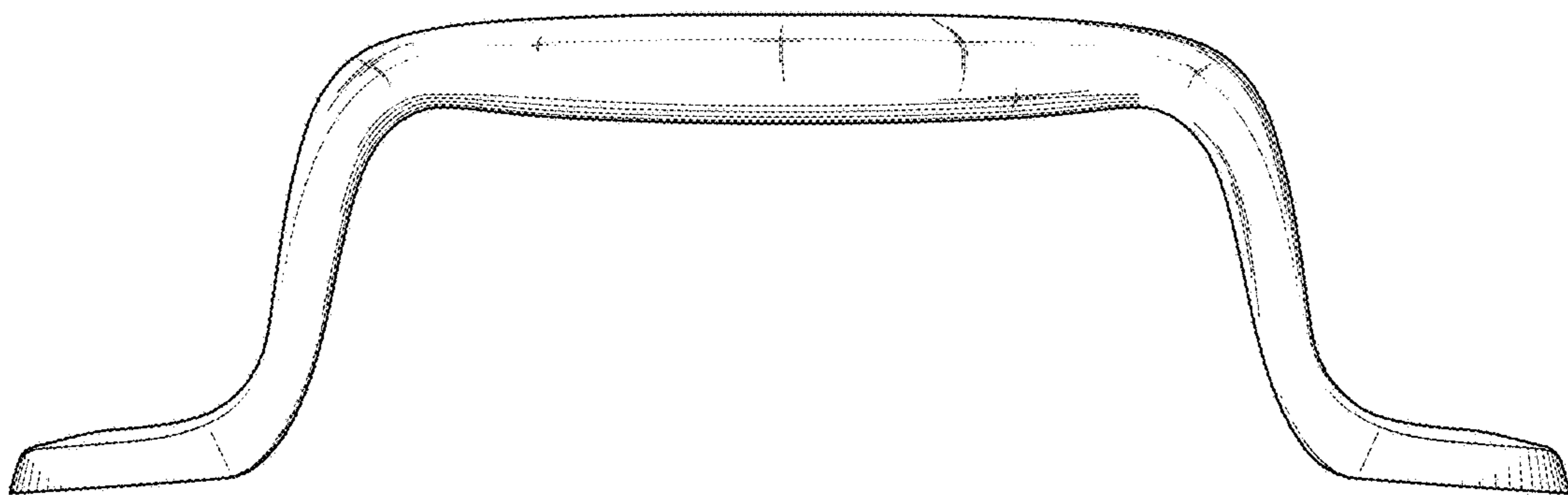


FIG. 4

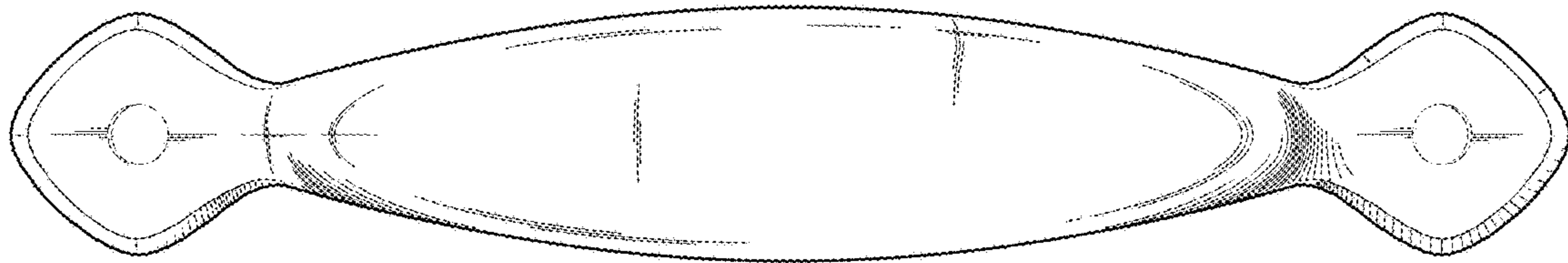


FIG. 5

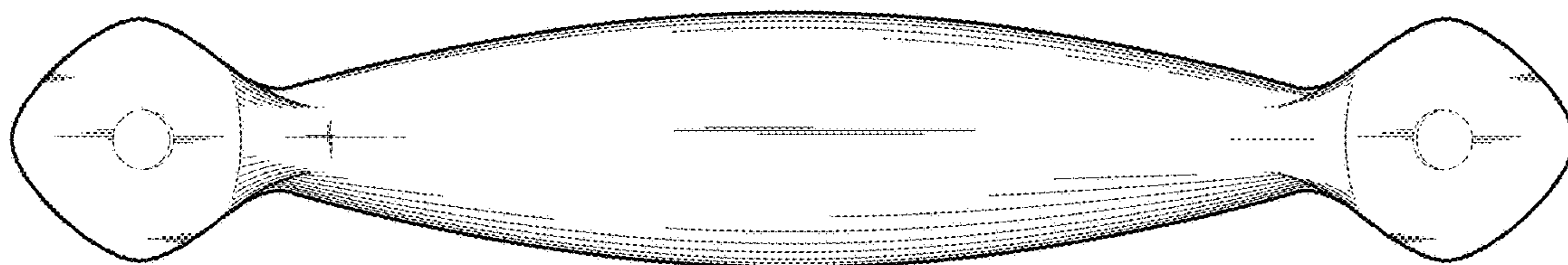


FIG. 6

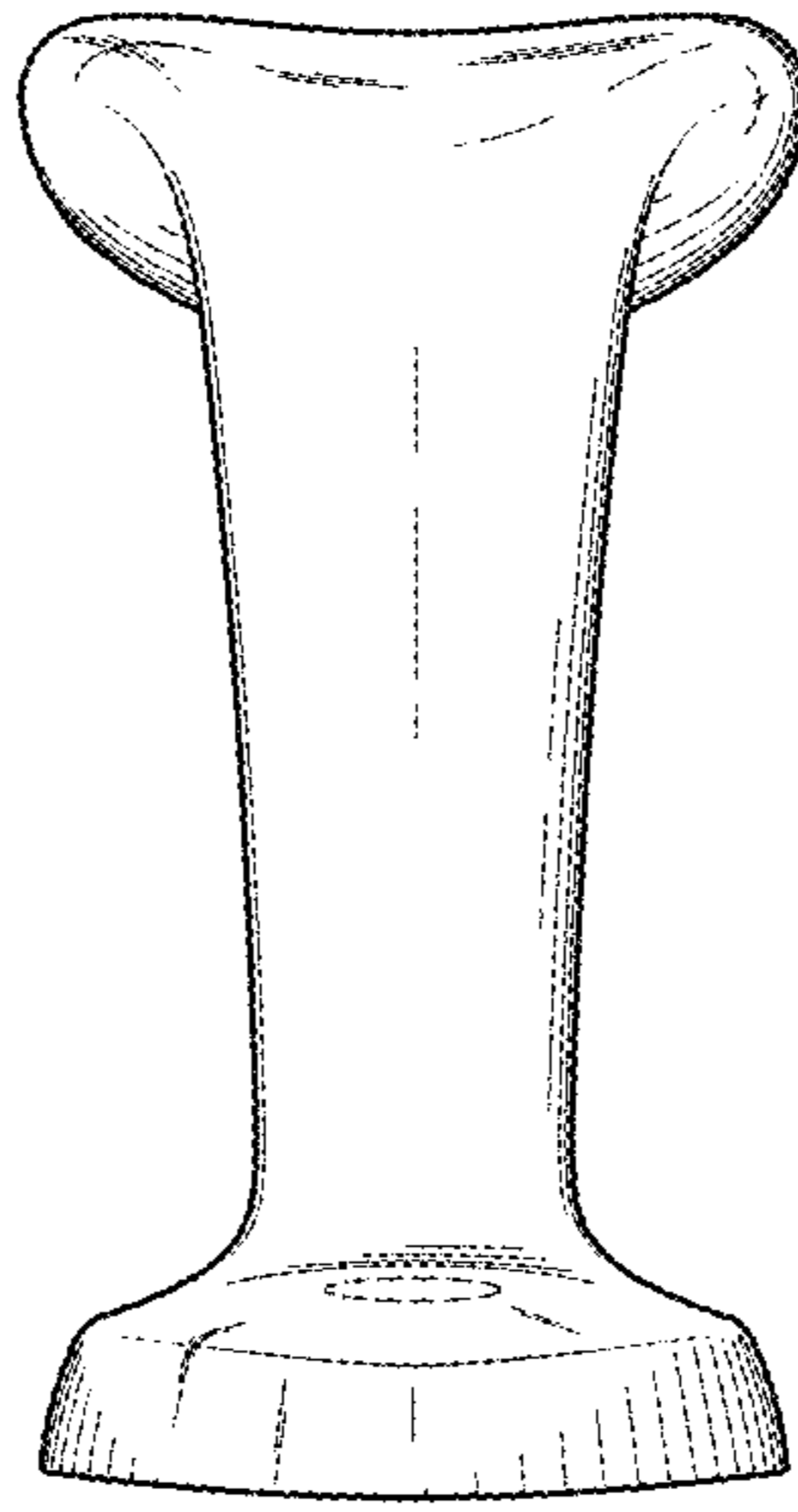


FIG. 7

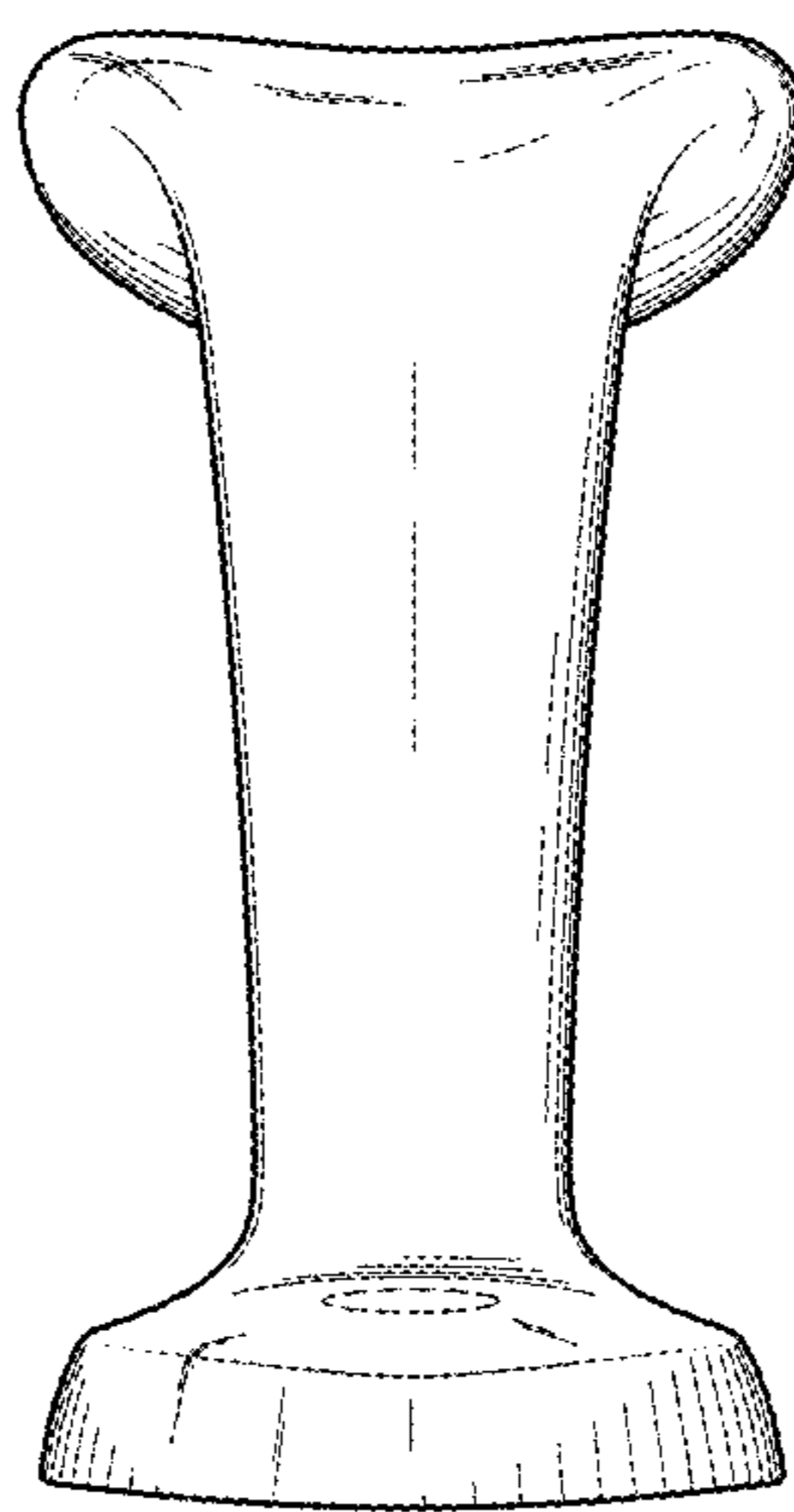


FIG. 8