

US00D812965S

(12) **United States Design Patent**
Ogilvie et al.

(10) **Patent No.:** **US D812,965 S**
(45) **Date of Patent:** **** Mar. 20, 2018**

(54) **LID**
(71) Applicant: **Enviro-Tex Products Inc.**, Paris,
Ontario (CA)
(72) Inventors: **James Barrie Ogilvie**, Paris (CA);
Shawn Kenneth Davis, Paris (CA)
(73) Assignee: **ENVIRO-TEX PRODUCTS INC.**
(CA)

D512,278 S * 12/2005 Schultz D7/629
D551,515 S * 9/2007 Ablo D7/629
D585,699 S * 2/2009 Furlong D7/392.1
D716,603 S * 11/2014 Yessin D7/391
D730,112 S * 5/2015 Yessin D7/392.1
D731,241 S * 6/2015 Yessin D7/392.1
D750,423 S * 3/2016 Shirley D7/391
D751,335 S * 3/2016 Shirley D7/391
D759,427 S * 6/2016 Wiggins D7/391
D770,277 S * 11/2016 Carlson D9/443
2011/0114638 A1 * 5/2011 Kettner B65D 43/021
220/260

(**) Term: **15 Years**

* cited by examiner

(21) Appl. No.: **29/583,470**

Primary Examiner — Ricky Pham

(22) Filed: **Nov. 4, 2016**

(74) *Attorney, Agent, or Firm* — Steven M. Greenberg;
CRGO Law

(30) **Foreign Application Priority Data**

May 5, 2016 (CA) 168336

(51) **LOC (11) Cl.** **07-02**

(57) **CLAIM**

(52) **U.S. Cl.**
USPC **D7/391**

The ornamental design for a lid, as shown and described.

(58) **Field of Classification Search**
USPC D7/391, 392, 392.1, 393, 397, 629;
D9/414, 424-432, 435, 443, 451-452
CPC A47J 36/027; A47J 36/06; A47J 37/10;
A47J 37/101; B65D 21/0209; B65D
43/00; B65D 43/02; B65D 43/021; B65D
43/022; B65D 43/161; B65D 43/162;
B65D 45/00; B65D 45/16; B65D 45/18;
B65D 51/16; B65D 51/1683; B65D
51/1688; B65D 51/1694; B65F 1/1615
See application file for complete search history.

DESCRIPTION

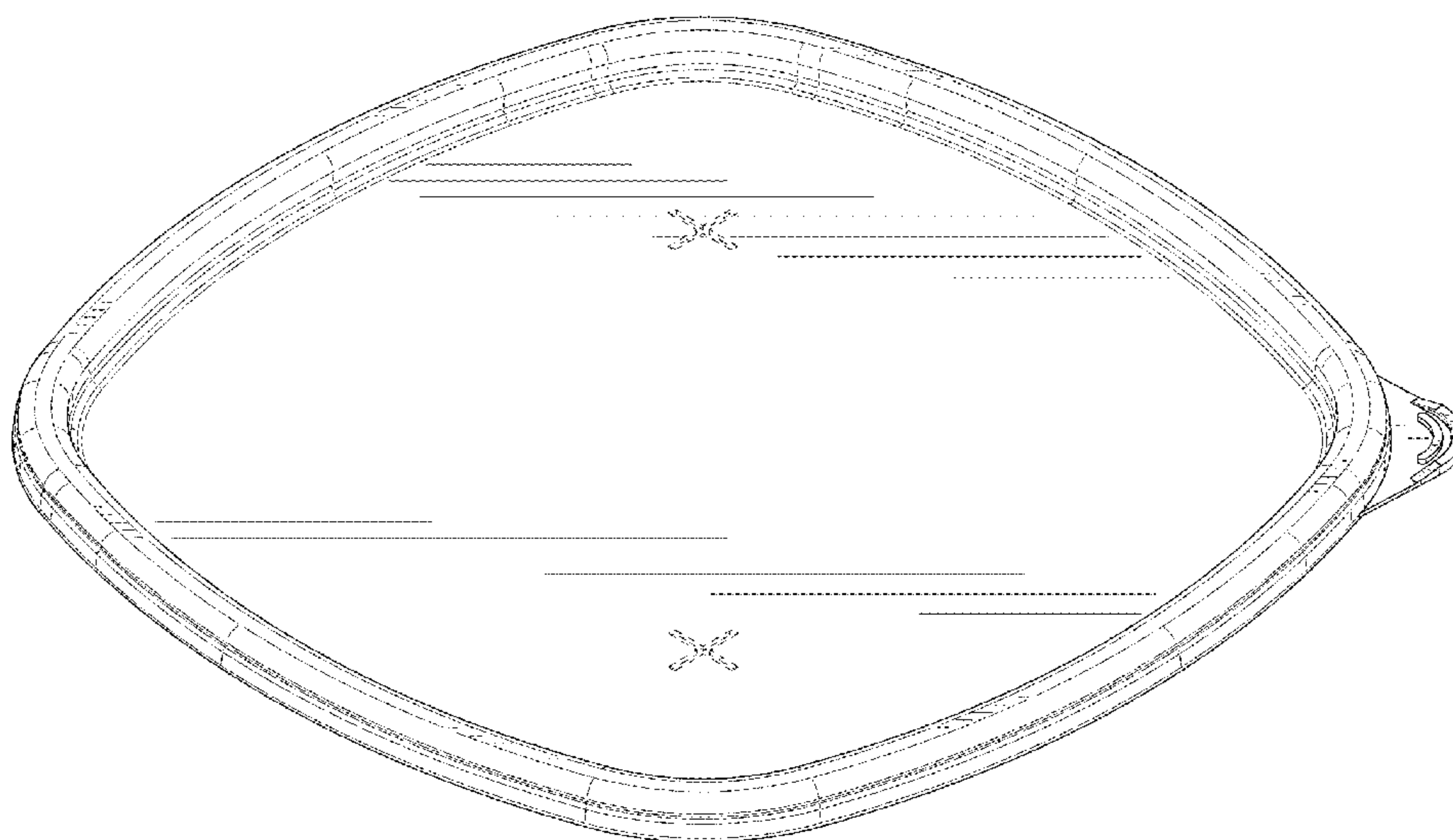
FIG. 1 is a top isometric view of the lid.
FIG. 2 is a bottom isometric view of the lid.
FIG. 3 is a first side elevation view of the lid.
FIG. 4 is a second side elevation view of the lid.
FIG. 5 is a third side elevation view of the lid.
FIG. 6 is a fourth side elevation view of the lid.
FIG. 7 is a top plan view of the lid; and,
FIG. 8 is a bottom plan view of the lid.
The broken lines shown in the drawings are for illustrative
purposes only and form no part of the claimed design.

(56) **References Cited**

U.S. PATENT DOCUMENTS

D287,573 S * 1/1987 Tyler D7/391
D505,840 S * 6/2005 Schultz D7/629

1 Claim, 5 Drawing Sheets



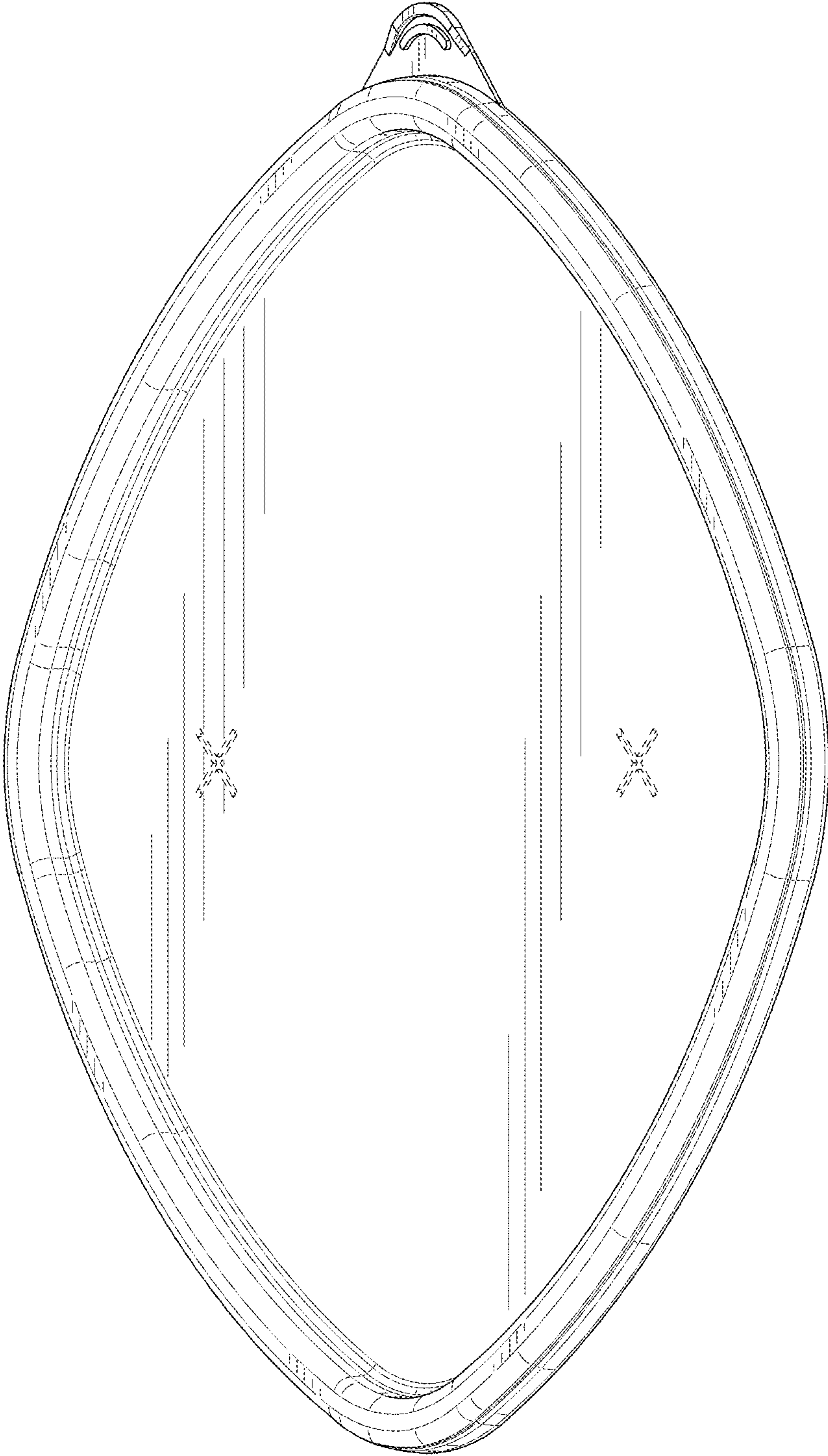


FIG. 1

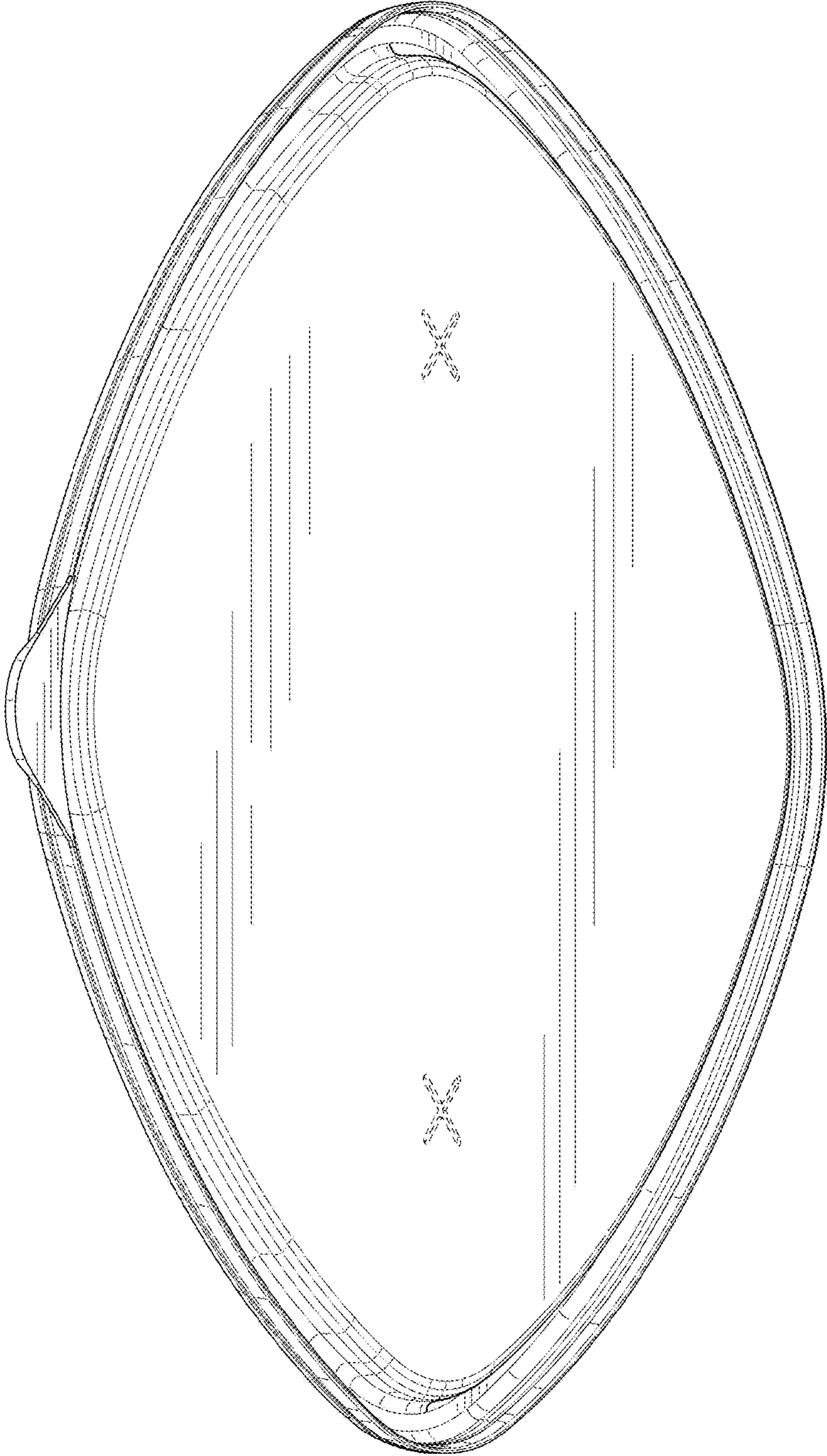


FIG. 2

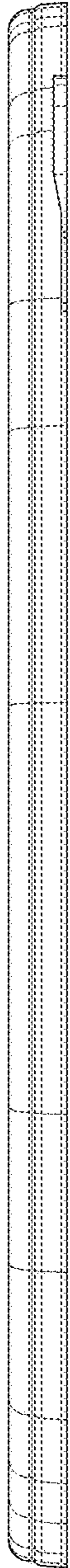


FIG. 3

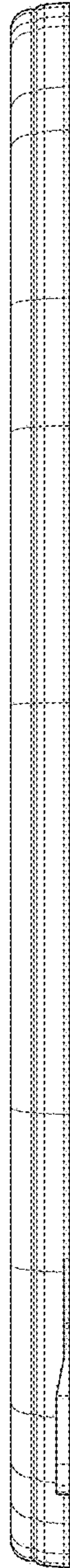


FIG. 4

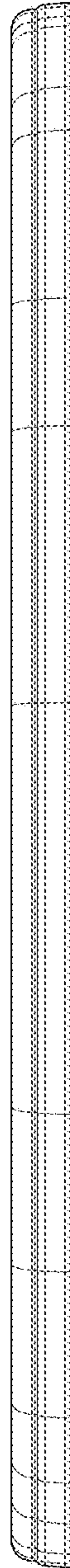


FIG. 5

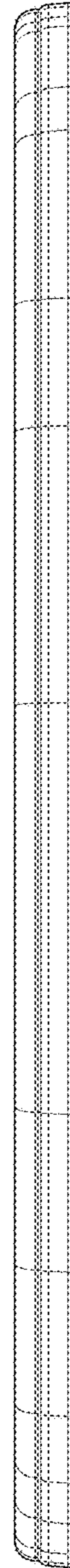


FIG. 6

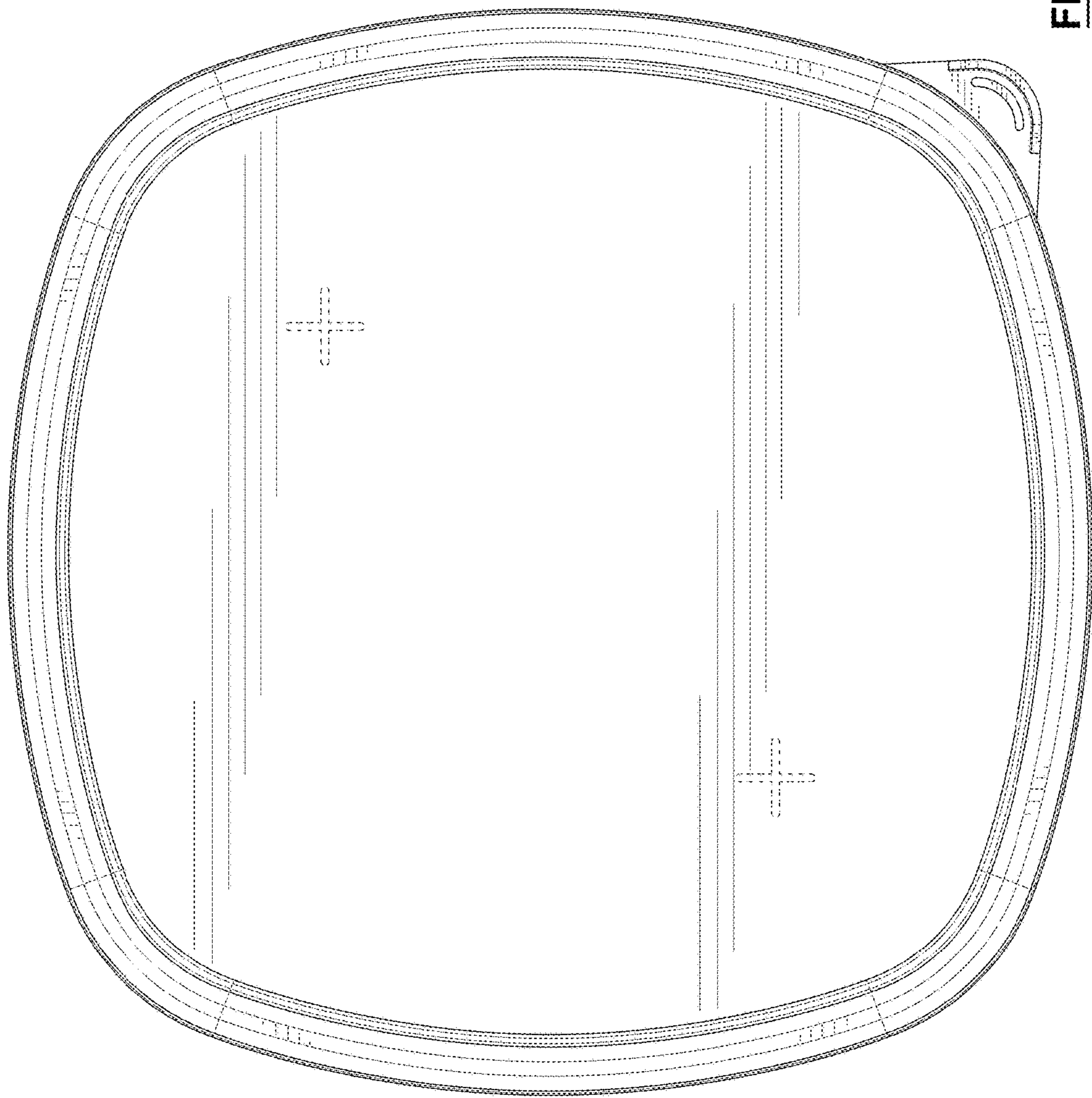


FIG. 7

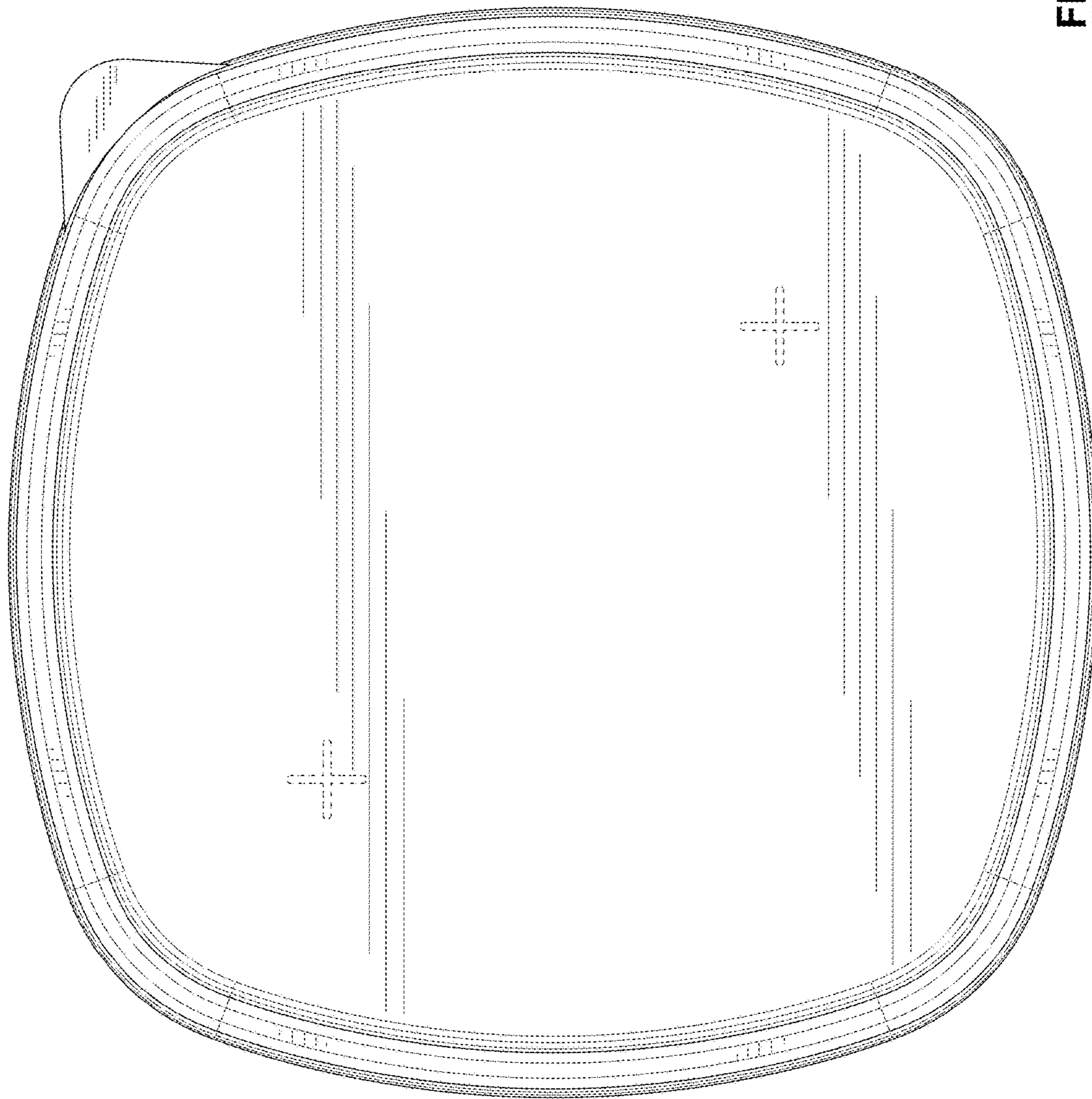


FIG. 8