



US00D812961S

(12) **United States Design Patent** (10) **Patent No.:** **US D812,961 S**
Rupp (45) **Date of Patent:** **** Mar. 20, 2018**

(54) **ICE SHAVER**

(71) Applicant: **Snowie LLC**, Salt Lake City, UT (US)

(72) Inventor: **Carl A. Rupp**, Salt Lake City, UT (US)

(73) Assignee: **Snowie LLC**, Salt Lake City, UT (US)

(**) Term: **15 Years**

(21) Appl. No.: **29/584,188**

(22) Filed: **Nov. 11, 2016**

Related U.S. Application Data

(63) Continuation of application No. 14/520,254, filed on Oct. 21, 2014.

(51) **LOC (11) Cl.** **31-00**

(52) **U.S. Cl.**
USPC **D7/374**

(58) **Field of Classification Search**

USPC D7/372-386, 412-413, 602, 629,
D7/665-666, 669, 679, 693-694; D8/62
CPC A21C 1/02; A21C 1/04; A23N 1/00; A23N
1/02; A47J 43/04; A47J 43/25; A47J
43/255; A47J 43/27; A47J 43/042; A47J
43/044; A47J 43/046; A47J 43/075; A47J
43/0722; A47J 43/0727; B01F 3/00; B01F
3/0807; B01F 3/0853; B01F 13/0059;
B01F 13/0064; B02C 1/08; B02C 2/04;
B02C 4/42; B02C 4/142; B02C 4/143;
B02C 4/423; B02C 13/1835; B28C 5/10;
B28C 5/12; B28C 5/14; B28C 5/16

See application file for complete search history.

(56) **References Cited**

U.S. PATENT DOCUMENTS

4,390,133	A *	6/1983	Wanat	A47J 43/255 241/285.2
D300,400	S *	3/1989	Kelly	D7/381
4,884,755	A *	12/1989	Hedrington	A47J 43/255 241/169.1
D339,026	S *	9/1993	Bannigan	D7/376
D348,177	S *	6/1994	Kelly	D7/381
D431,437	S *	10/2000	Niwa	D8/62
D490,676	S *	6/2004	Wright	D8/62
D510,006	S *	9/2005	Van Wambeke	D8/62
D553,427	S *	10/2007	Ball	D7/384

* cited by examiner

Primary Examiner — Ricky Pham

(74) *Attorney, Agent, or Firm* — Terrence J. Edwards;
TechLaw Ventures, PLLC

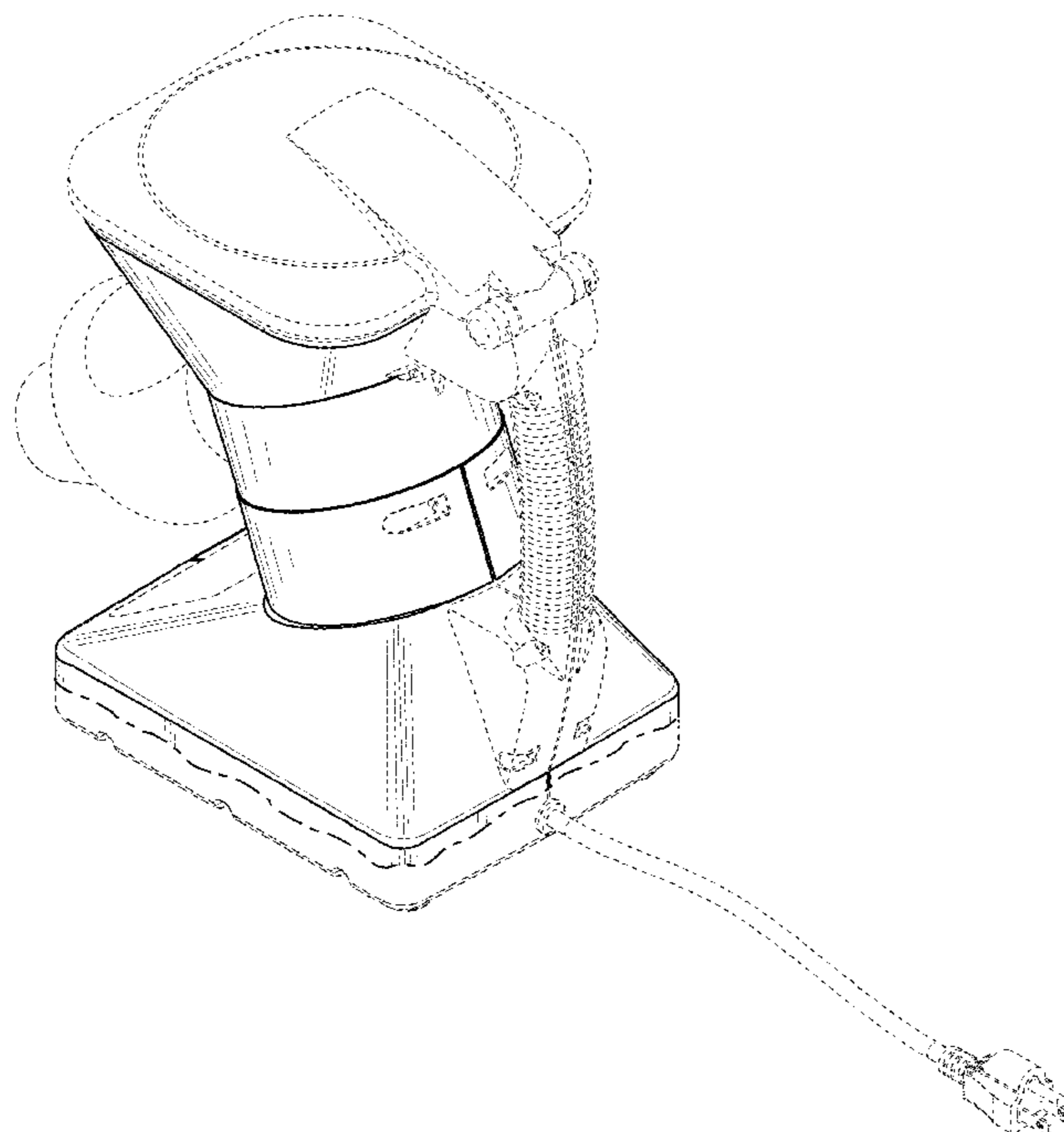
(57) **CLAIM**

I claim the ornamental design for an ice shaver, as shown and described.

DESCRIPTION

FIG. 1 is a perspective view of an ice shaver showing my new design;
FIG. 2 is a side view thereof;
FIG. 3 is an opposite side view thereof;
FIG. 4 is a front view thereof;
FIG. 5 is a rear view thereof;
FIG. 6 is a top view thereof; and,
FIG. 7 is a bottom view thereof.
The broken lines shown in the drawings are for illustrative purposes only and form no part of the claimed design.

1 Claim, 5 Drawing Sheets



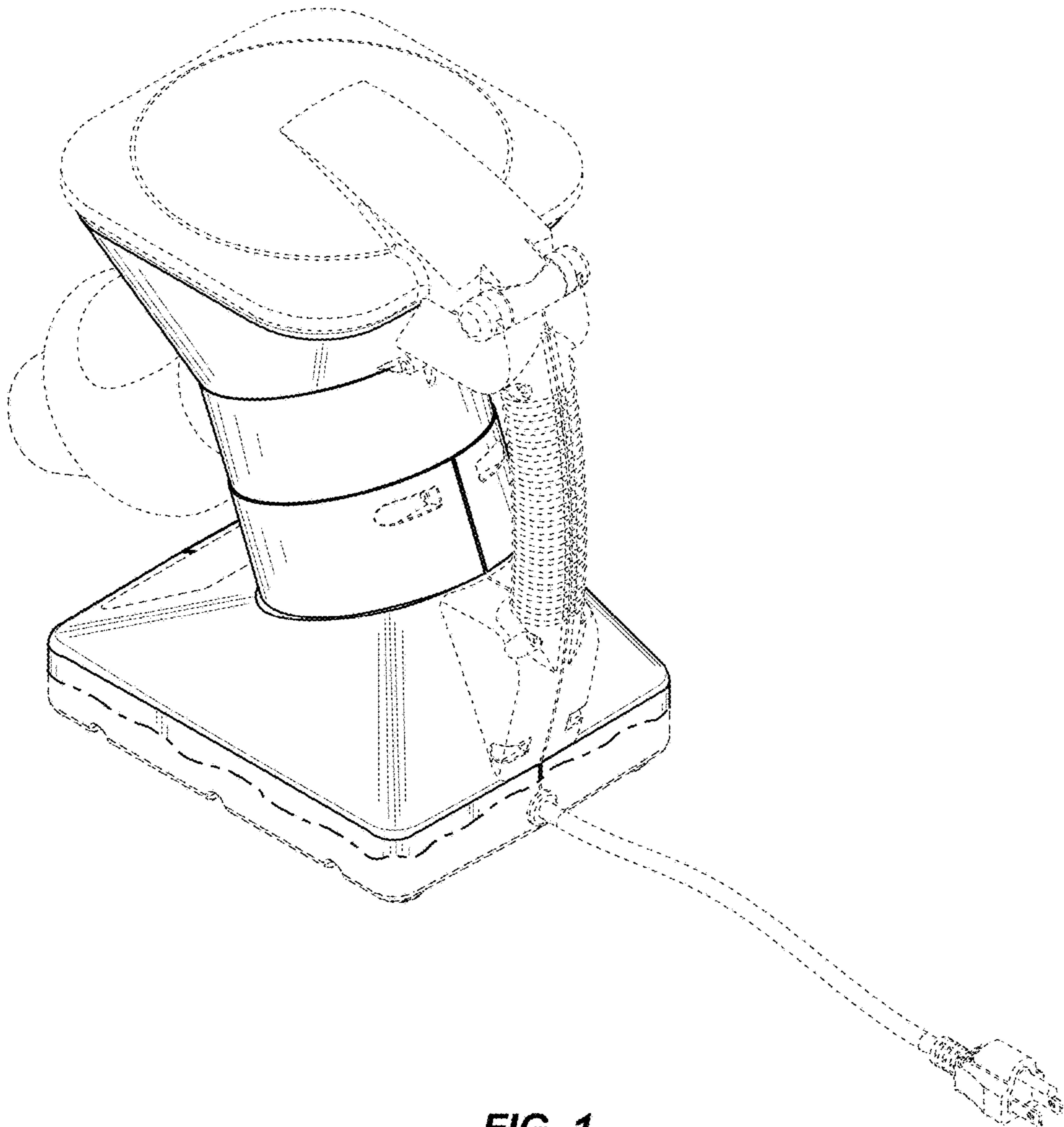


FIG. 1

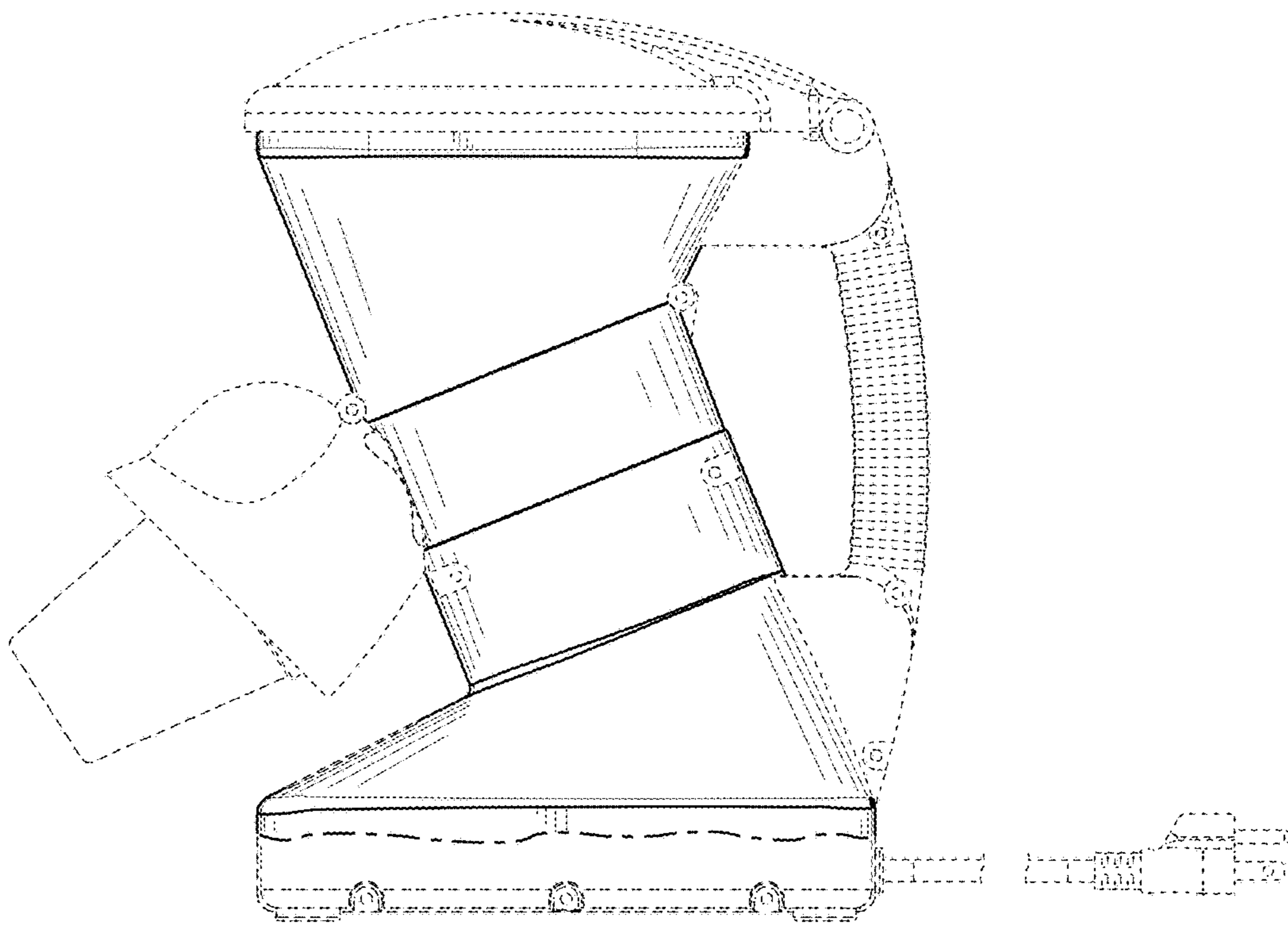


FIG. 2

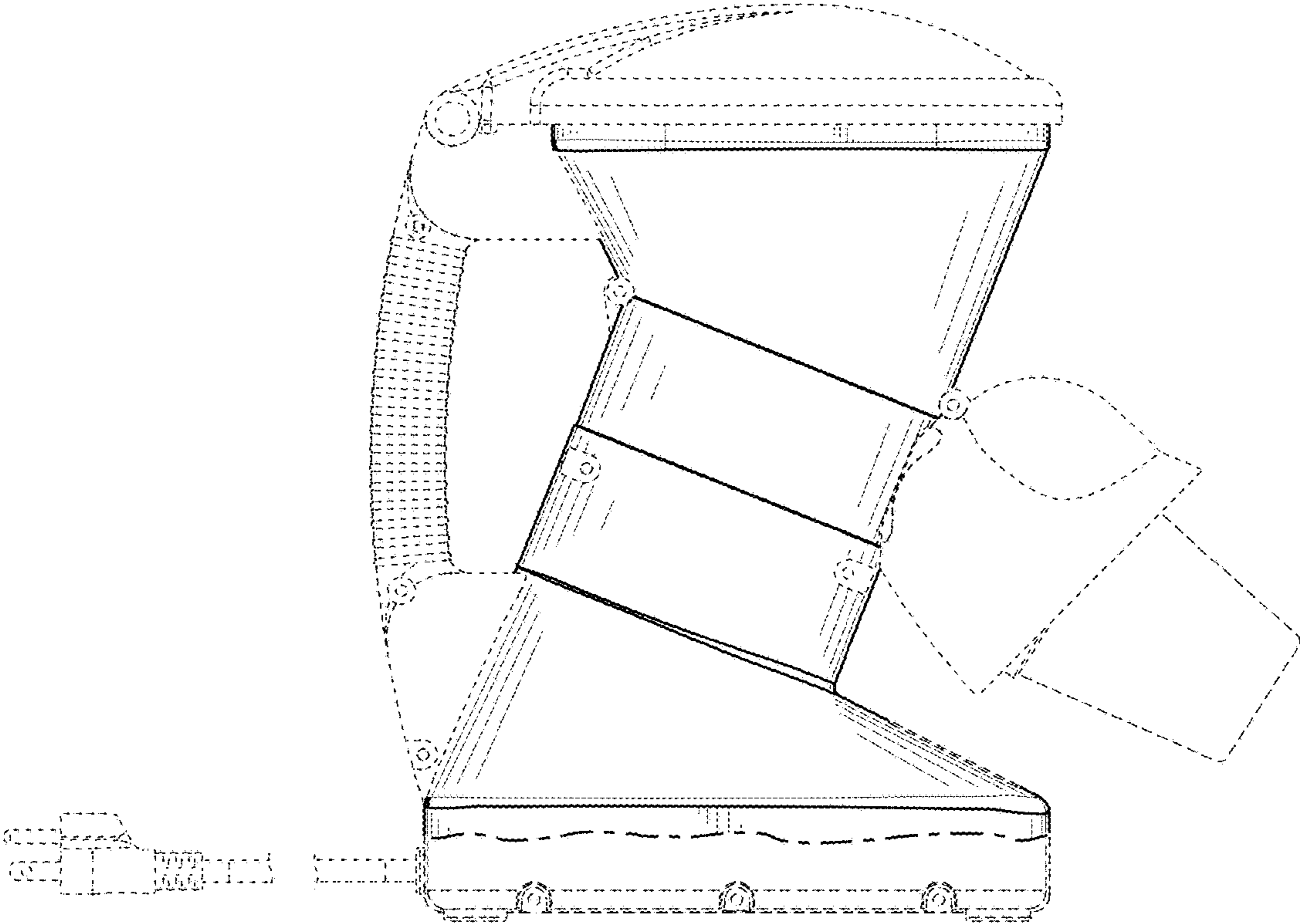


FIG. 3

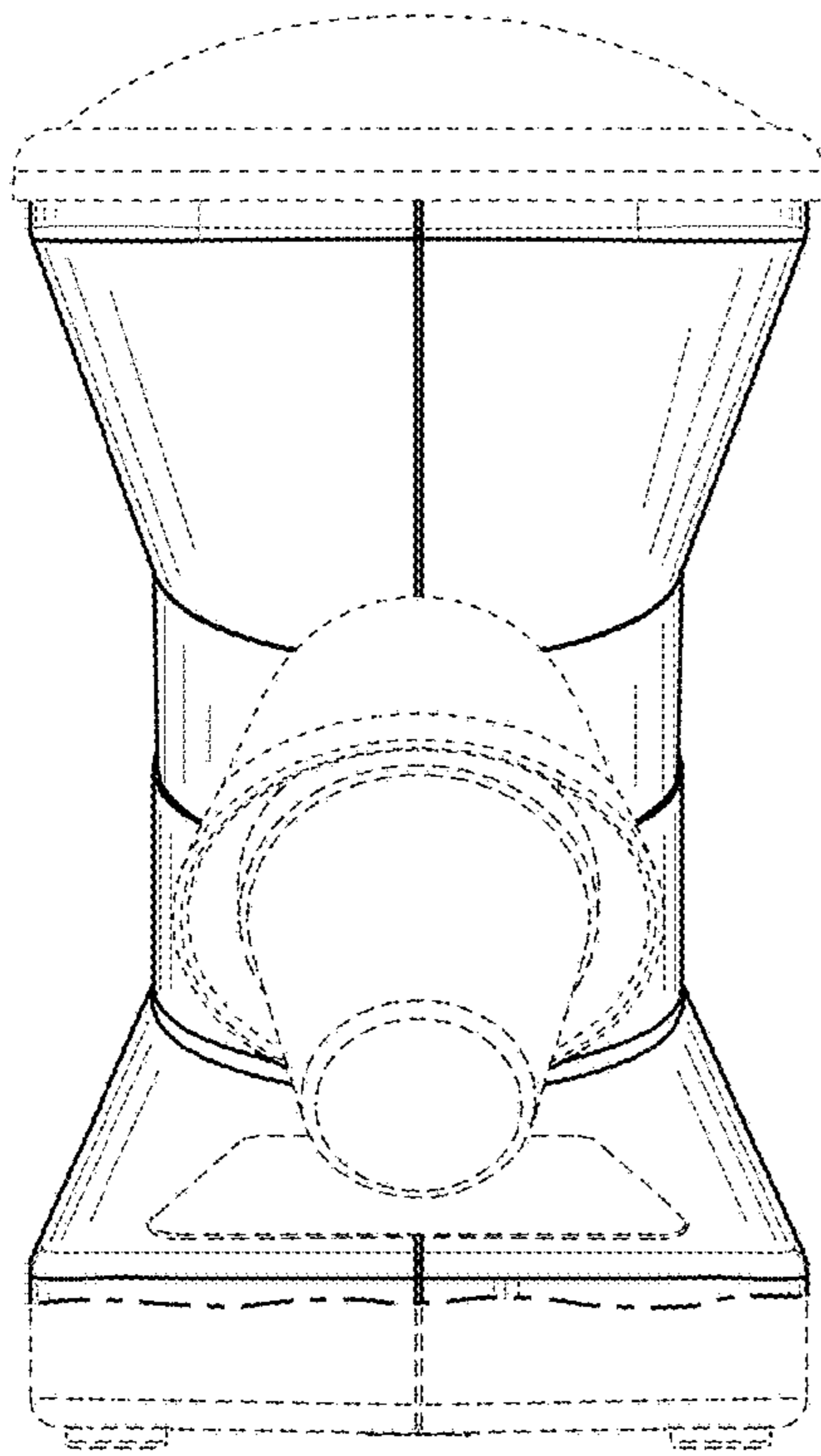


FIG. 4

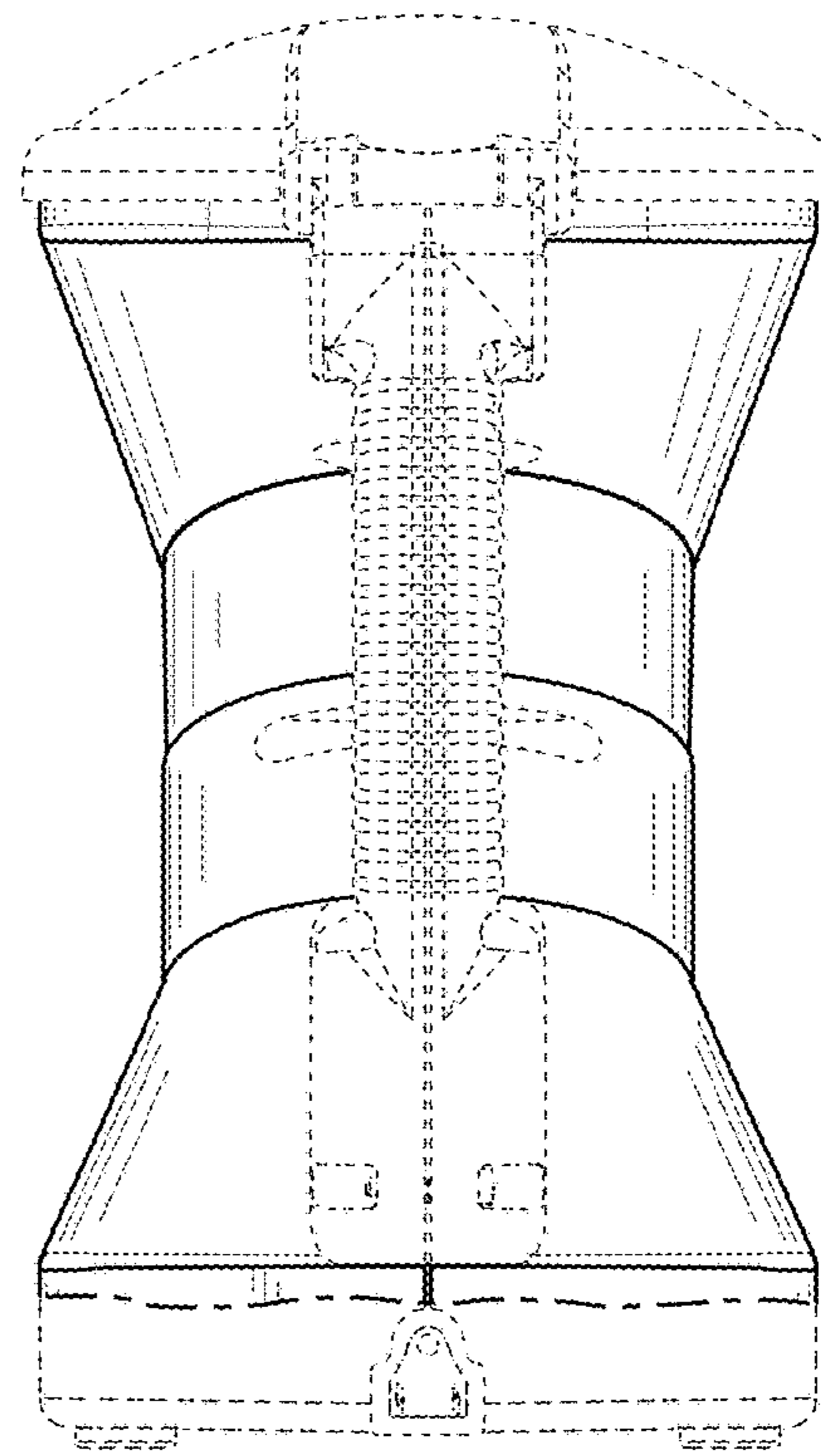


FIG. 5

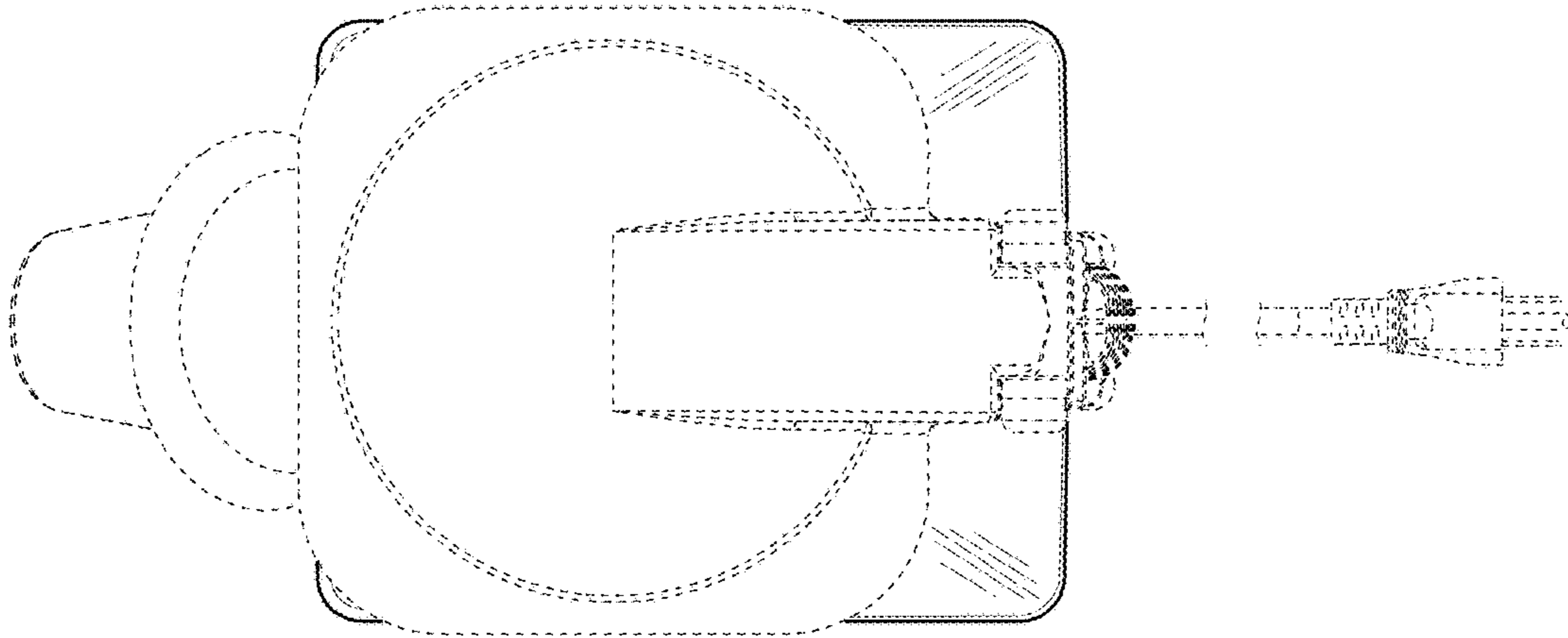


FIG. 6

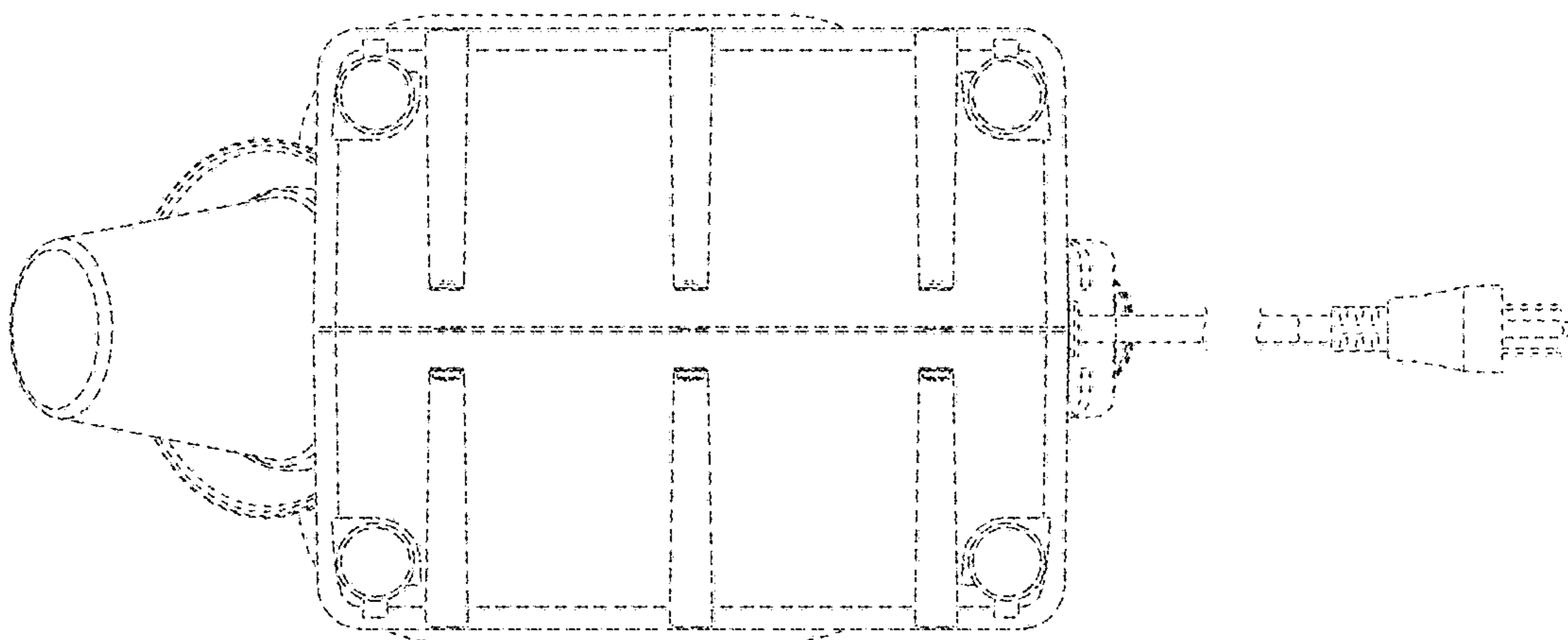


FIG. 7