



US00D812960S

(12) **United States Design Patent**  
**Lawson**

(10) **Patent No.:** **US D812,960 S**  
(45) **Date of Patent:** **\*\* Mar. 20, 2018**

- (54) **DEFROSTING PLATE FOR FOOD**
- (71) Applicant: **Alejandro Lawson**, Ciudad Autonoma de Buenos Aires (AR)
- (72) Inventor: **Alejandro Lawson**, Ciudad Autonoma de Buenos Aires (AR)
- (\*\*) Term: **15 Years**
- (21) Appl. No.: **29/552,783**
- (22) Filed: **Jan. 26, 2016**
- (30) **Foreign Application Priority Data**  
  - Jul. 30, 2015 (AR) ..... 88797
- (51) **LOC (11) Cl.** ..... **07-99**
- (52) **U.S. Cl.**  
USPC ..... **D7/368**
- (58) **Field of Classification Search**  
USPC ..... D7/368, 698, 699, 362, 363, 619.1, D7/624.1; D6/583, 582; D25/157, 138, D25/140, 143  
CPC ... A47J 47/005; A47J 27/022; B65D 81/3897; A23B 7/045; A23L 3/365; A01N 59/14  
See application file for complete search history.

- (56) **References Cited**  
U.S. PATENT DOCUMENTS  
  - 2,174,334 A \* 9/1939 Steinfels ..... A21B 3/003 294/56
  - D158,838 S \* 6/1950 Caldwell ..... D6/583
  - 2,609,024 A \* 9/1952 Russ ..... A47J 47/005 269/15
  - 3,837,634 A \* 9/1974 Cobb ..... A47J 47/005 144/346
  - 3,947,012 A \* 3/1976 Cobb ..... A47J 47/005 144/346
  - D240,390 S \* 7/1976 Smith ..... D7/698
  - D299,872 S \* 2/1989 Jennings ..... D25/157

- 4,930,759 A \* 6/1990 Potter ..... B23Q 1/032 269/289 R
  - 5,349,899 A \* 9/1994 Tominaga ..... A47J 27/022 165/185
  - 5,368,093 A \* 11/1994 Takehashi ..... A23L 3/365 126/400
  - D367,399 S \* 2/1996 Brooks ..... D7/362
  - D369,281 S \* 4/1996 Cowell ..... D7/624.1
  - 5,713,414 A \* 2/1998 Ko ..... A23B 7/045 165/185
  - D418,721 S \* 1/2000 Goodman ..... D7/624.1
  - D463,202 S \* 9/2002 Smith ..... D7/359
  - D473,098 S \* 4/2003 Wingeier ..... D7/359
  - 6,601,642 B1 \* 8/2003 Randall ..... A23L 3/365 165/185
  - D492,166 S \* 6/2004 Kaposi ..... D7/698
- (Continued)

*Primary Examiner* — Terry A Wallace  
(74) *Attorney, Agent, or Firm* — Defillo & Associates, Inc.; Evelyn A Defillo

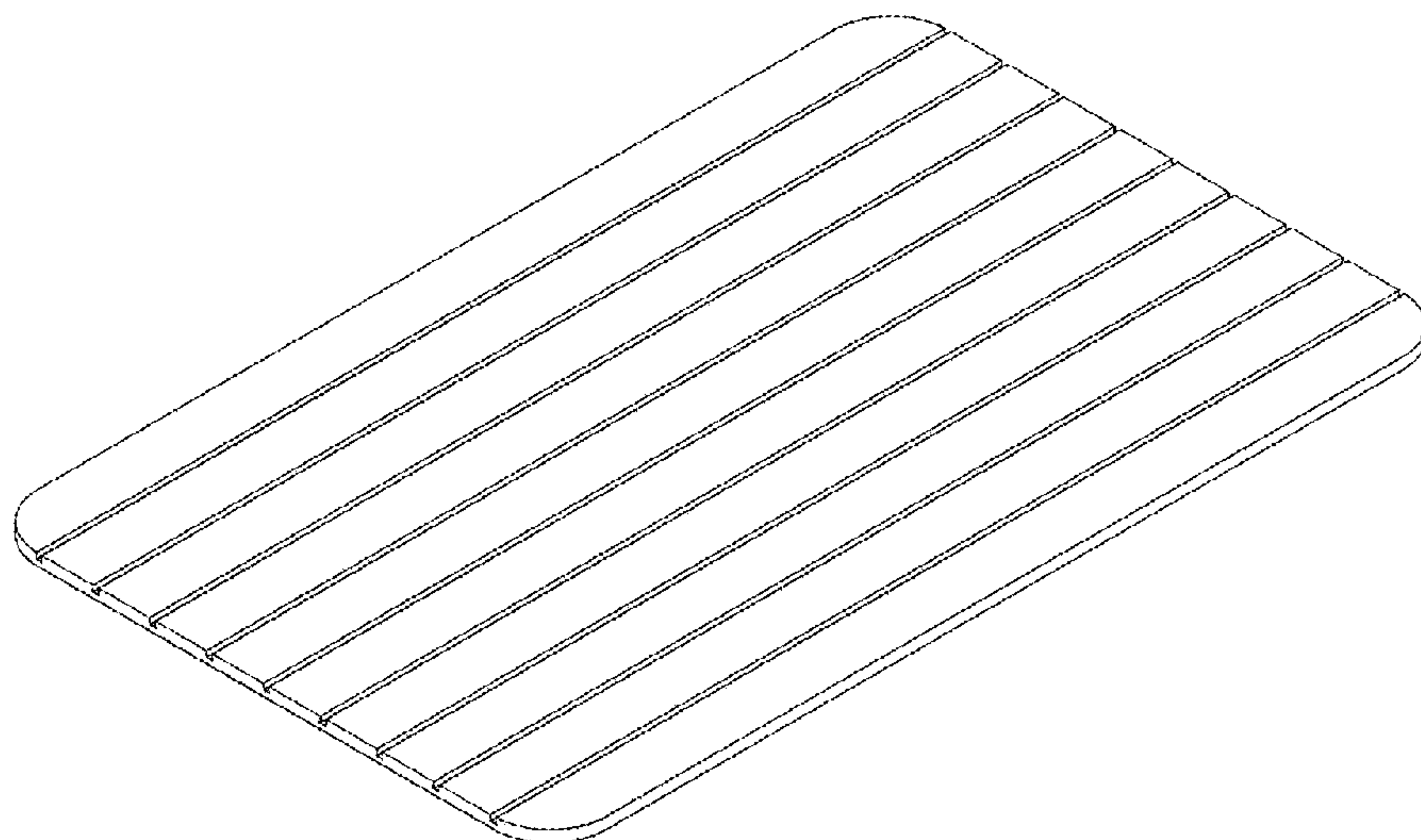
(57) **CLAIM**

The ornamental design of a defrosting plate for food, as shown and described.

**DESCRIPTION**

FIG. 1 is a top, front, left side perspective view of a defrosting plate for food showing my new design.  
FIG. 2 is a front view thereof.  
FIG. 3 is a side view thereof.  
FIG. 4 is a top plan view thereof, the food shown in broken lines for illustrative purposes only and forming no part of the claimed design.  
FIG. 5 is a perspective view thereof.  
FIG. 6 is a top plan view of an alternate embodiment of FIG. 1; and,  
FIG. 7 is a side view of FIG. 6.  
The broken lines shown in the Figures illustrate portions of the defrosting plate for food and form no part of the claimed design.

**1 Claim, 4 Drawing Sheets**



(56)

**References Cited**

U.S. PATENT DOCUMENTS

D494,409 S *	8/2004	Khubani .....	D7/363
D503,066 S *	3/2005	Militi .....	D7/359
D508,368 S *	8/2005	Lion .....	D7/388
D570,166 S *	6/2008	Brownlee .....	D7/698
D581,207 S *	11/2008	Leavens .....	D7/359
D640,513 S *	6/2011	Cornu .....	D7/698
D694,593 S *	12/2013	Shofet .....	D7/698
D701,095 S *	3/2014	Arvan .....	D7/698
D719,413 S *	12/2014	Difante .....	D7/698
D728,991 S *	5/2015	Hasegawa .....	D7/368
2007/0125357 A1 *	6/2007	Johnston .....	A47J 37/0694
			126/41 R
2008/0026662 A1 *	1/2008	Ramsey .....	A01N 59/14
			442/376

\* cited by examiner

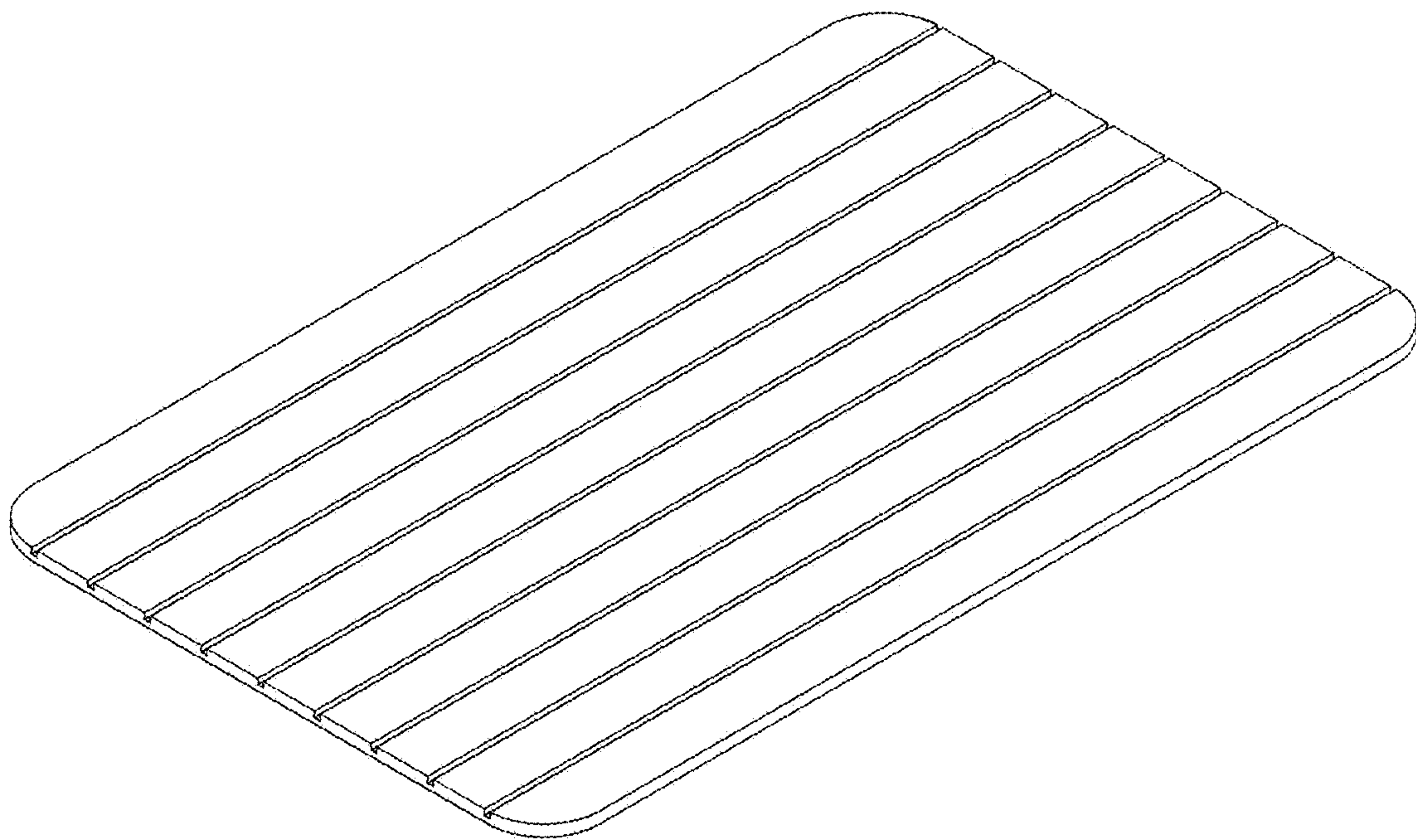


FIG. 1



FIG. 2

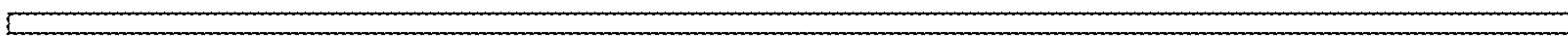


FIG. 3



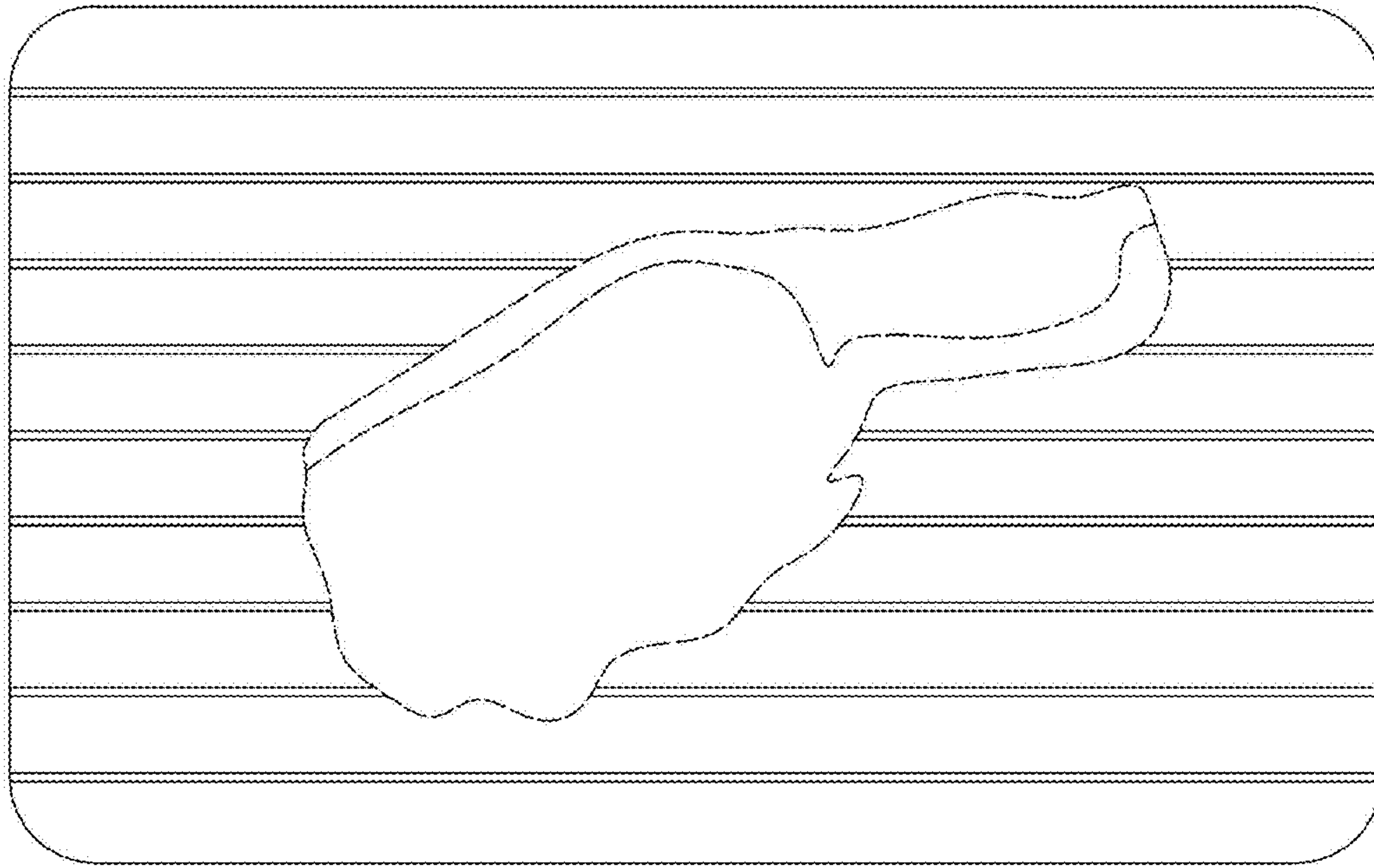


FIG. 4

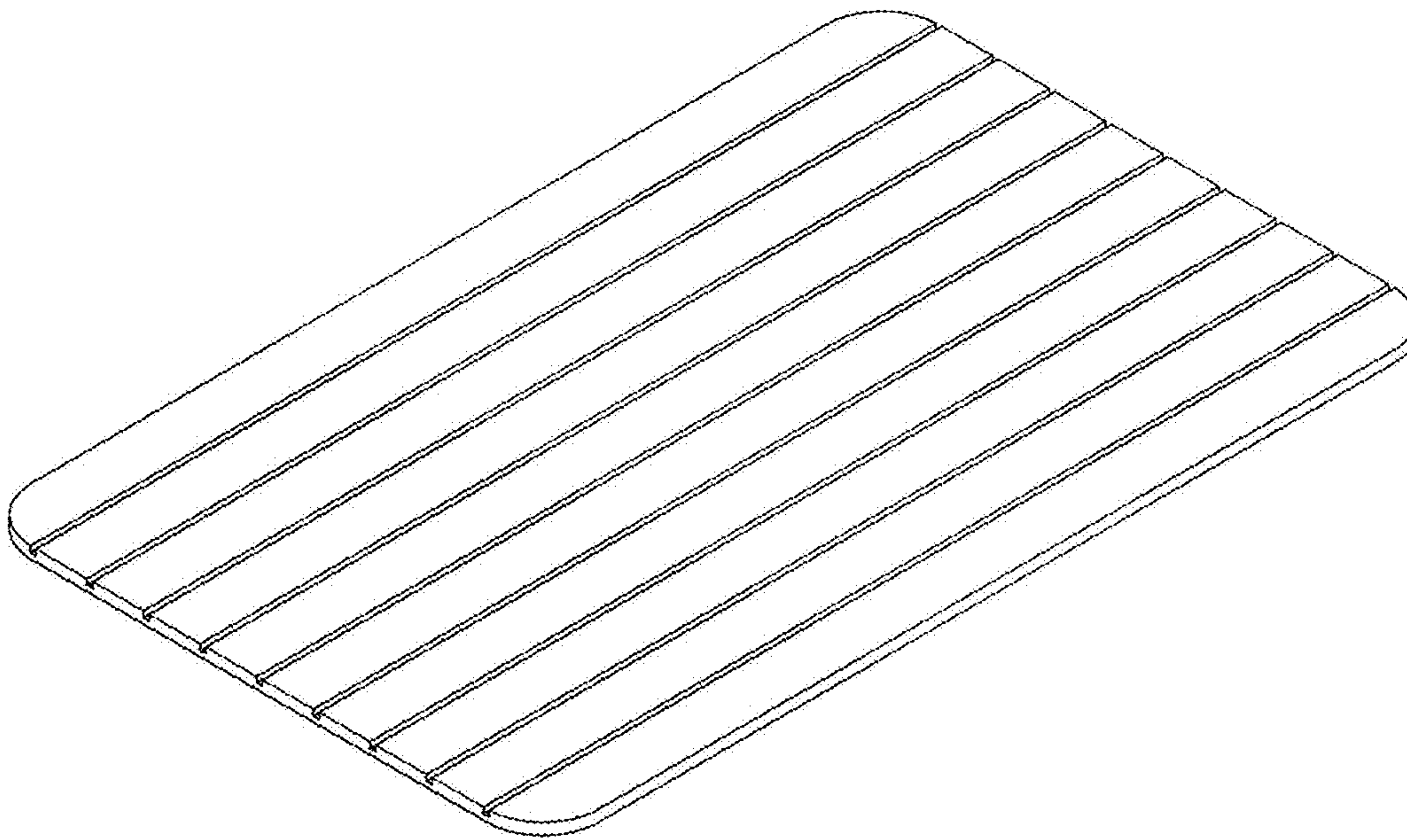


FIG. 5

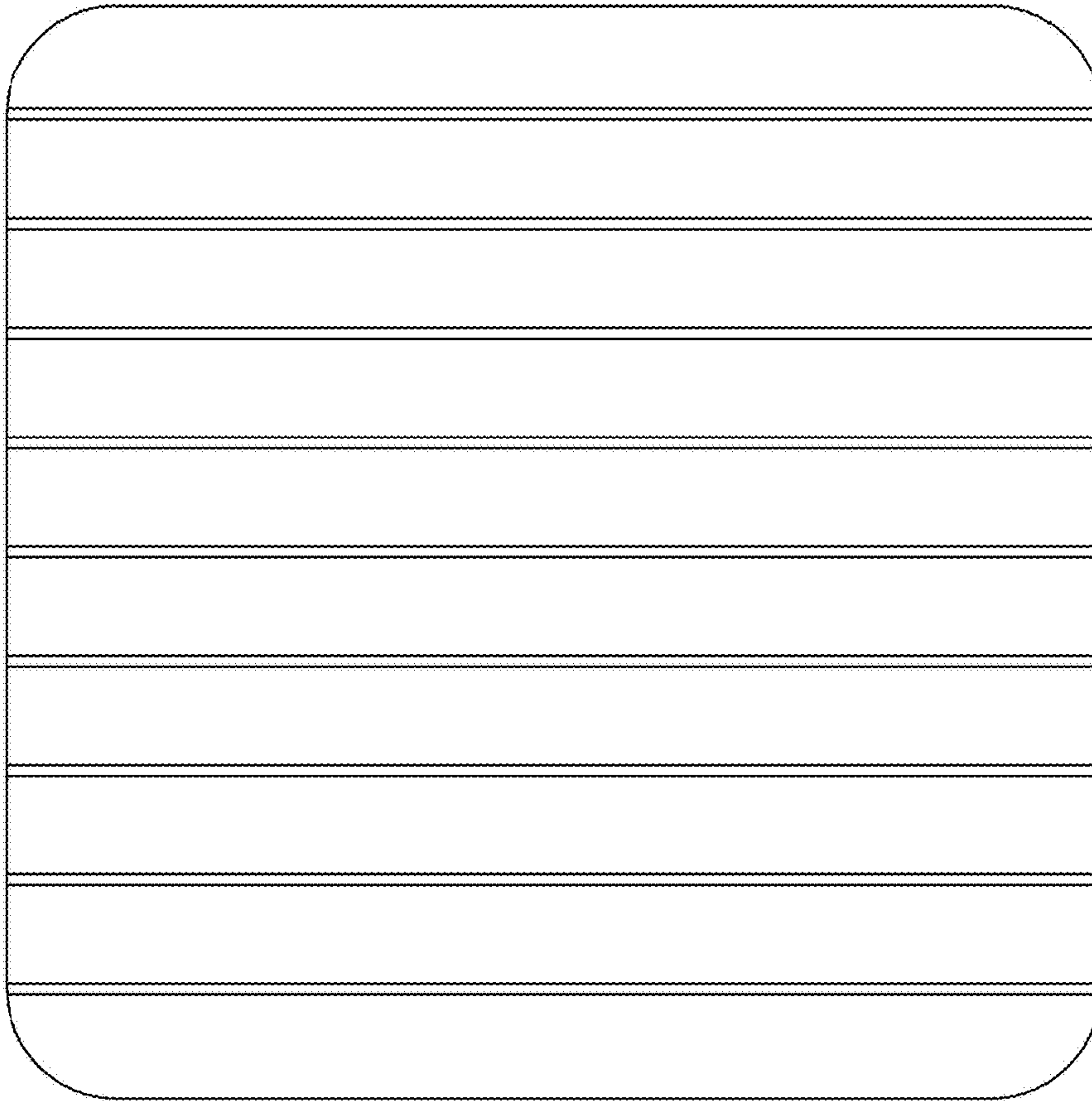


FIG. 6

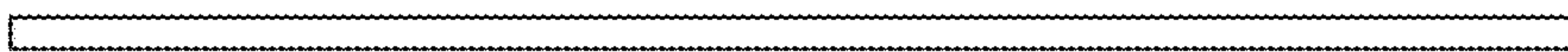


FIG. 7