



US00D812959S

(12) **United States Design Patent**  
**Kim et al.**

(10) **Patent No.:** **US D812,959 S**  
(45) **Date of Patent:** **\*\* Mar. 20, 2018**

(54) **OVEN**

(71) Applicant: **Samsung Electronics Co., Ltd.**,  
Suwon-si (KR)

(72) Inventors: **Jae-Jun Kim**, Seoul (KR); **Jae-Moon Lee**, Seoul (KR); **Hyeong-Ju Seo**, Seoul (KR); **Woo-Joo Choi**, Ahnyang-si (KR); **Jong-Su Jeon**, Seoungnam-si (KR); **Hwan-Woong Choi**, Seoul (KR)

(73) Assignee: **Samsung Electronics Co., Ltd.**,  
Suwon-si (KR)

(\*\*) Term: **15 Years**

(21) Appl. No.: **29/589,194**

(22) Filed: **Dec. 29, 2016**

(30) **Foreign Application Priority Data**

Jul. 12, 2016 (KR) ..... 30-2016-0033771

(51) **LOC (11) Cl.** ..... **07-02**

(52) **U.S. Cl.**  
USPC ..... **D7/348**

(58) **Field of Classification Search**  
USPC ..... D7/323, 328-330, 339-349, 390,  
D7/402-406; D21/523-524;  
D8/300-306

CPC ... A21B 2/00; A47J 37/00; A47J 37/06; A47J  
37/0611; A47J 37/08; A47J 37/0807;  
A47J 37/0814; A47J 37/0835; A47J  
37/0842; A47J 37/085; A47J 37/0864;  
A47J 37/0878; A47J 37/0885; A47J  
37/0892; F24C 7/00; F24C 7/002; F24C  
7/046; F24C 7/067; F24C 15/04; F24C  
15/10; F24C 15/102; F24C 15/107  
See application file for complete search history.

(56) **References Cited**

U.S. PATENT DOCUMENTS

D745,310 S \* 12/2015 Funnell, II ..... D7/349  
D745,311 S \* 12/2015 Funnell, II ..... D7/349

D748,424 S \* 2/2016 Funnell, II ..... D7/348  
D763,617 S \* 8/2016 Kim ..... D7/339  
D770,839 S \* 11/2016 Shoemaker ..... D7/348  
D773,232 S \* 12/2016 Shoemaker ..... D7/339  
D779,262 S \* 2/2017 Kim ..... D7/348  
D781,096 S \* 3/2017 Kim ..... D7/339  
D781,648 S \* 3/2017 Shoemaker ..... D7/406

(Continued)

**OTHER PUBLICATIONS**

30 in. Double Electric Wall Oven, posted at Homedepot.com, posted on May 3, 2017, site visited Oct. 25, 2017, <<https://www.homedepot.com/p/Samsung-30-in-Double-Electric-Wall-Oven-Self-Cleaning-with-Steam-Cooking-and-Dual-Convection-in-Black-Stainless-NV51K7770DG/300378818>>.\*

(Continued)

*Primary Examiner* — Barbara Fox

*Assistant Examiner* — Messina L Smith

(74) *Attorney, Agent, or Firm* — NSIP Law

(57) **CLAIM**

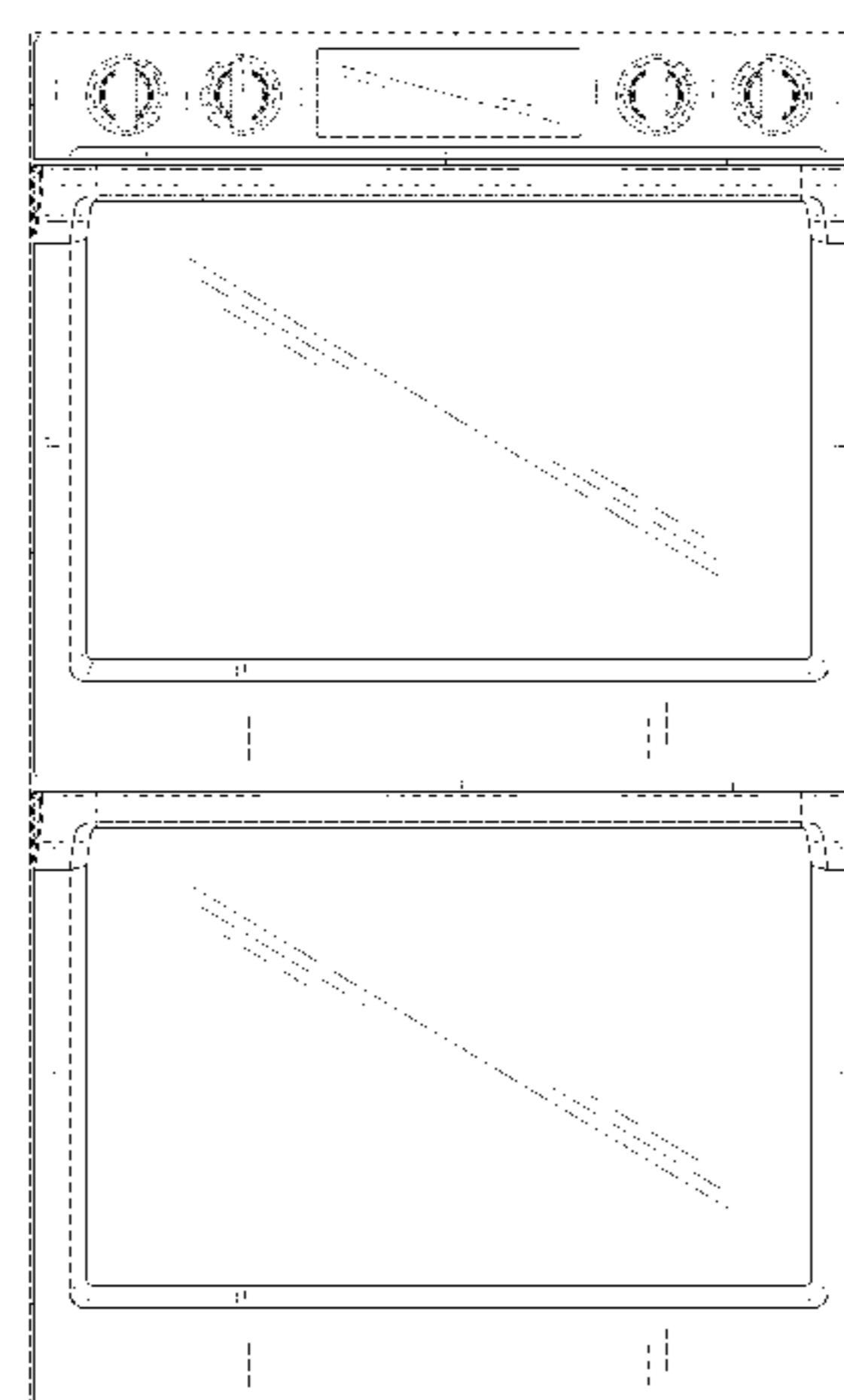
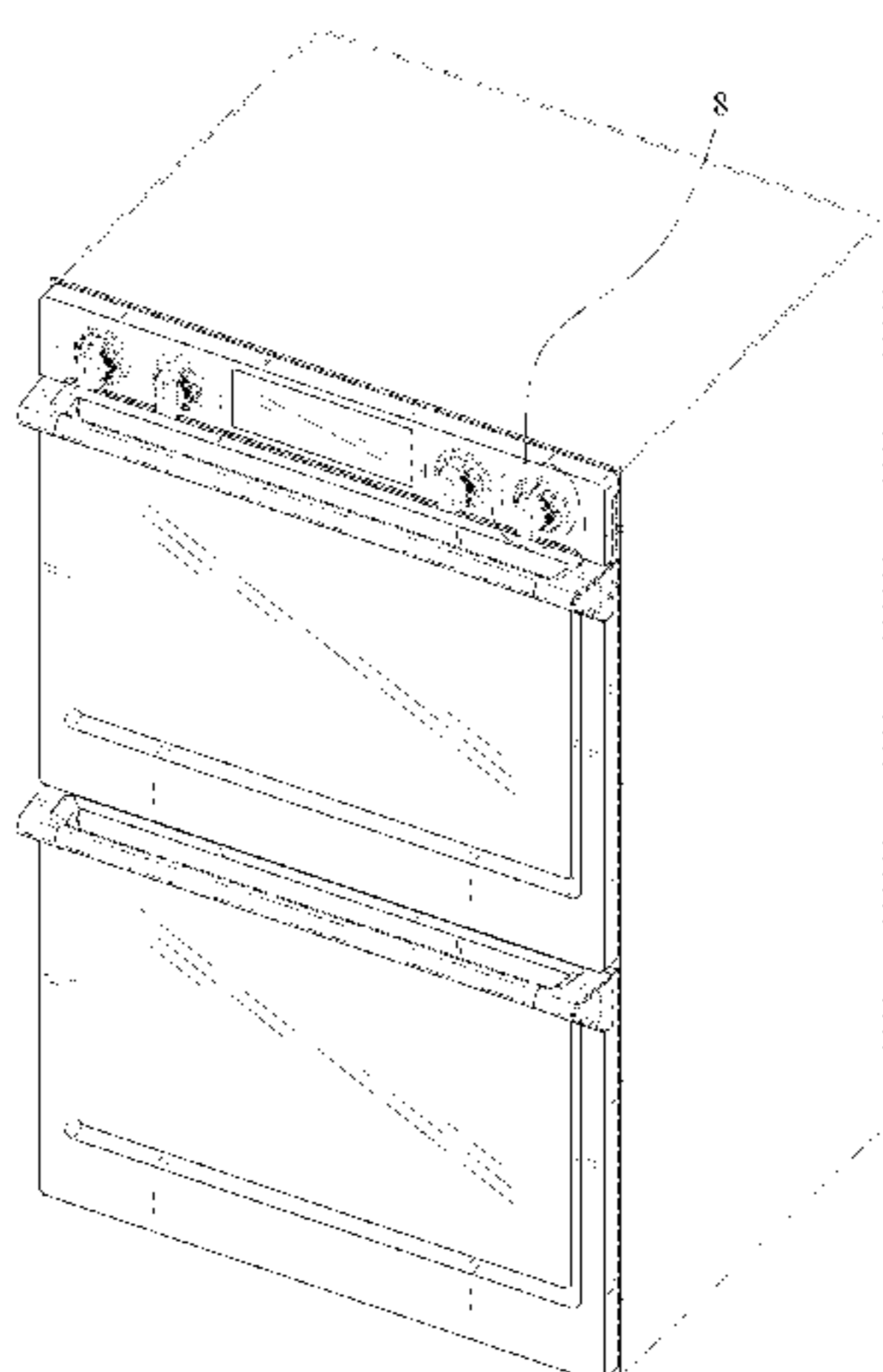
We claim the ornamental design for an oven, as shown and described.

**DESCRIPTION**

FIG. 1 is a front perspective view of an oven showing our new design;  
FIG. 2 is a front view thereof;  
FIG. 3 is a rear view thereof;  
FIG. 4 is a left-side view thereof;  
FIG. 5 is a right-side view thereof;  
FIG. 6 is a top view thereof;  
FIG. 7 is a bottom view thereof; and,  
FIG. 8 is an enlarged view of the encircled portion in FIG. 1.

The broken lines in the drawings illustrate portions of the oven that form no part of the claimed design.

**1 Claim, 8 Drawing Sheets**



(56)

**References Cited**

U.S. PATENT DOCUMENTS

D785,399 S \* 5/2017 Funnell, II ..... D7/349  
D786,006 S \* 5/2017 Chung ..... D7/340  
D788,513 S \* 6/2017 Chung ..... D7/323  
D789,729 S \* 6/2017 Lee ..... D7/340  
2009/0050130 A1\* 2/2009 Kim ..... F24C 15/006  
126/21 A  
2016/0097542 A1\* 4/2016 Armstrong ..... F24C 7/087  
99/337

OTHER PUBLICATIONS

30 Inch Electric Double Wall Oven, posted at AJmadison.com, posted on May 3, 2017, site visited Oct. 25, 2017, <<https://www.ajmadison.com/cgi-bin/ajmadison/NV51K7770D.html>>.\*

30" Double Wall Oven with Flex Duo™, posted at Samsung.com, posted on © 1995-2017, site visited Oct. 25, 2017, <<https://www.samsung.com/us/home-appliances/wall-ovens/double/nv51k7770dg-aa-nv51k7770dg-aa/>>.\*

\* cited by examiner

FIG. 1

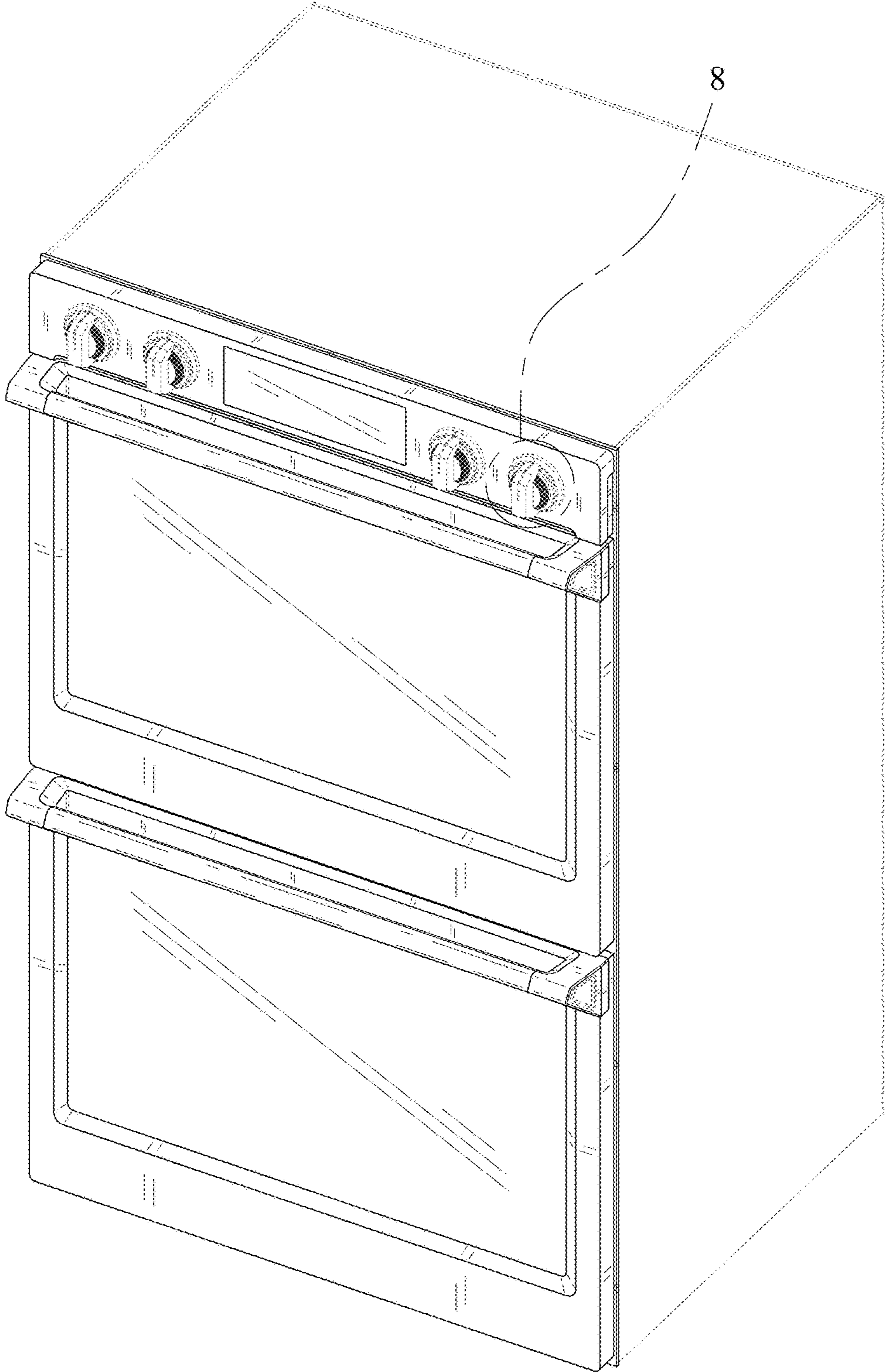


FIG. 2

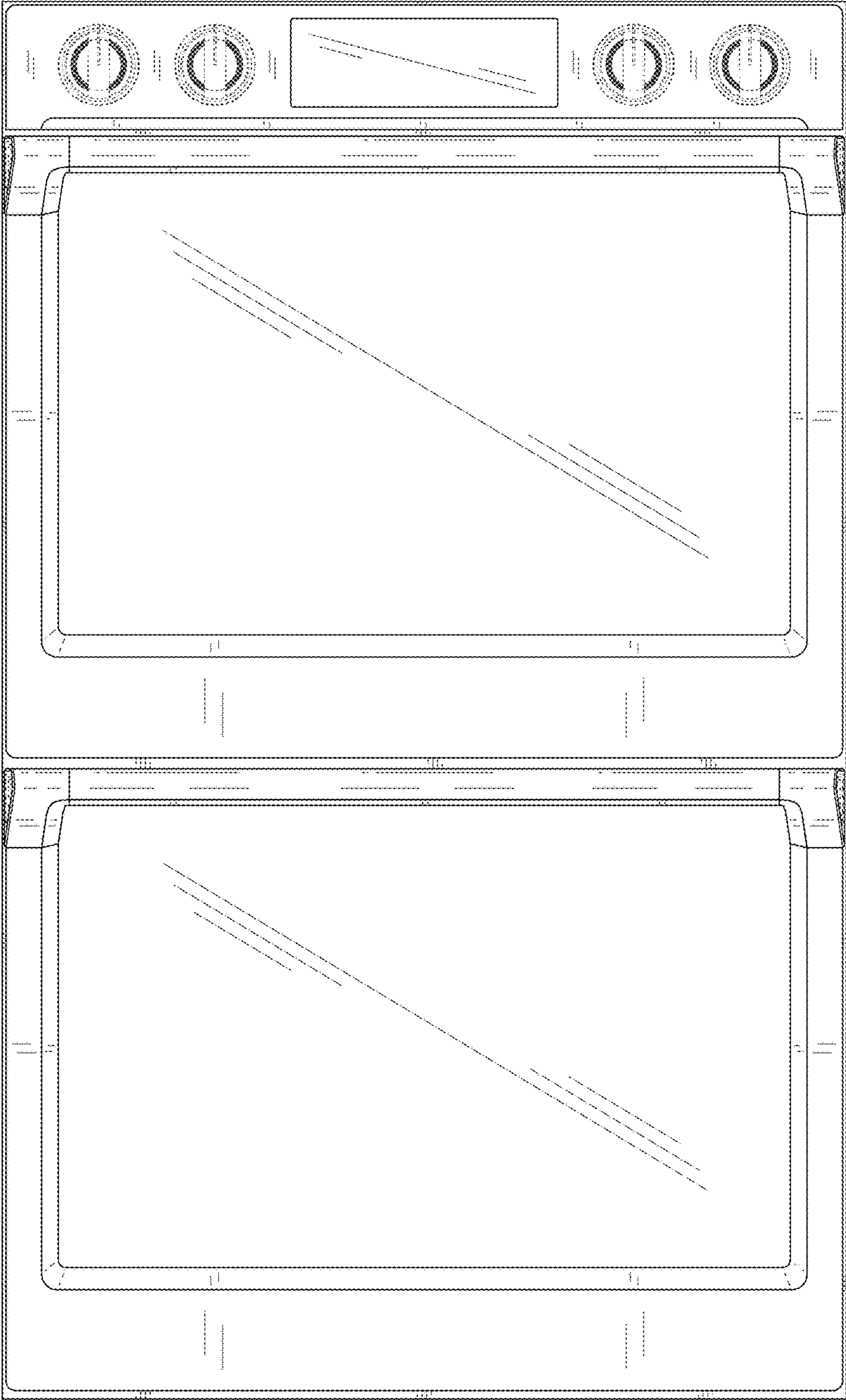


FIG. 3

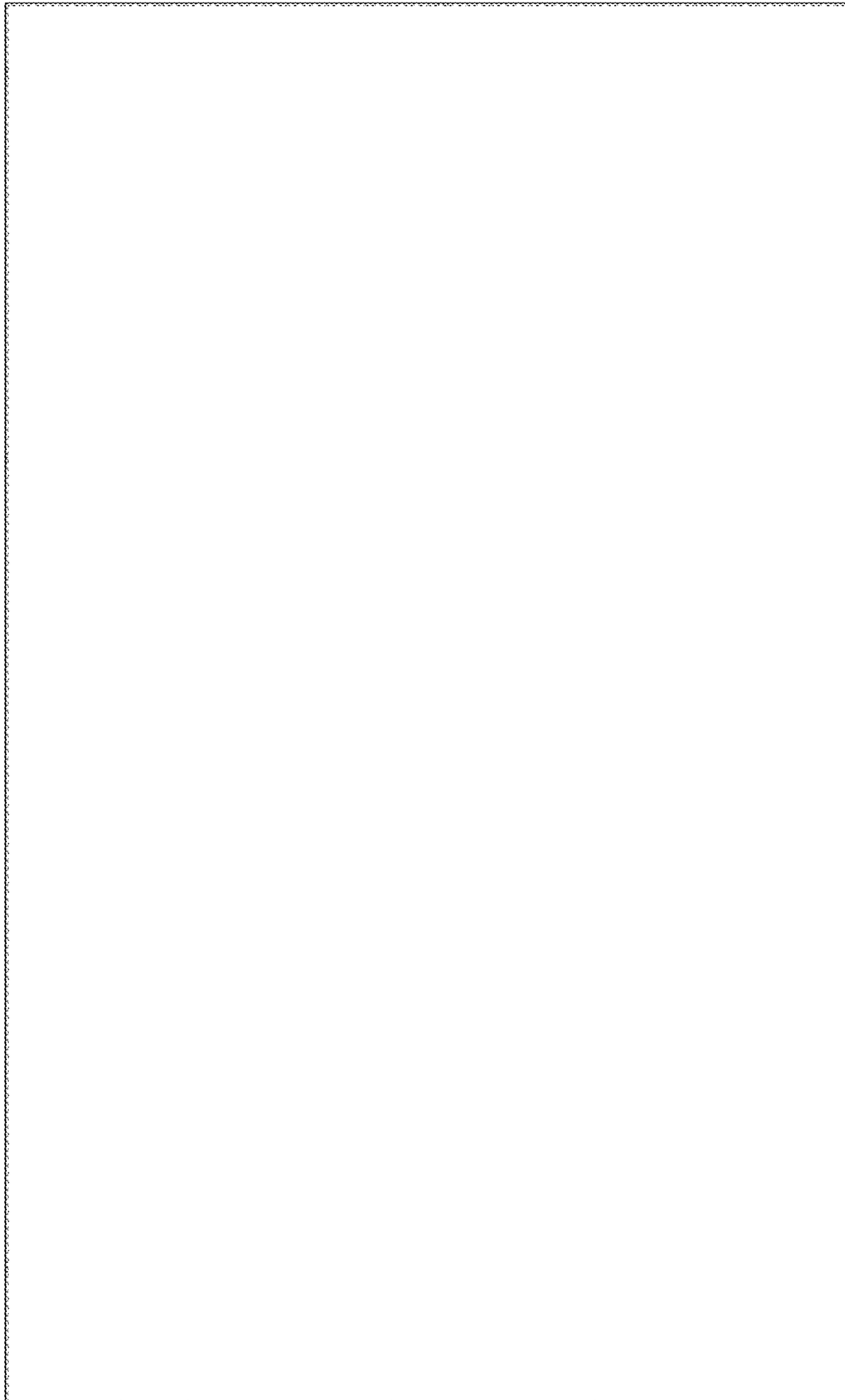


FIG. 4

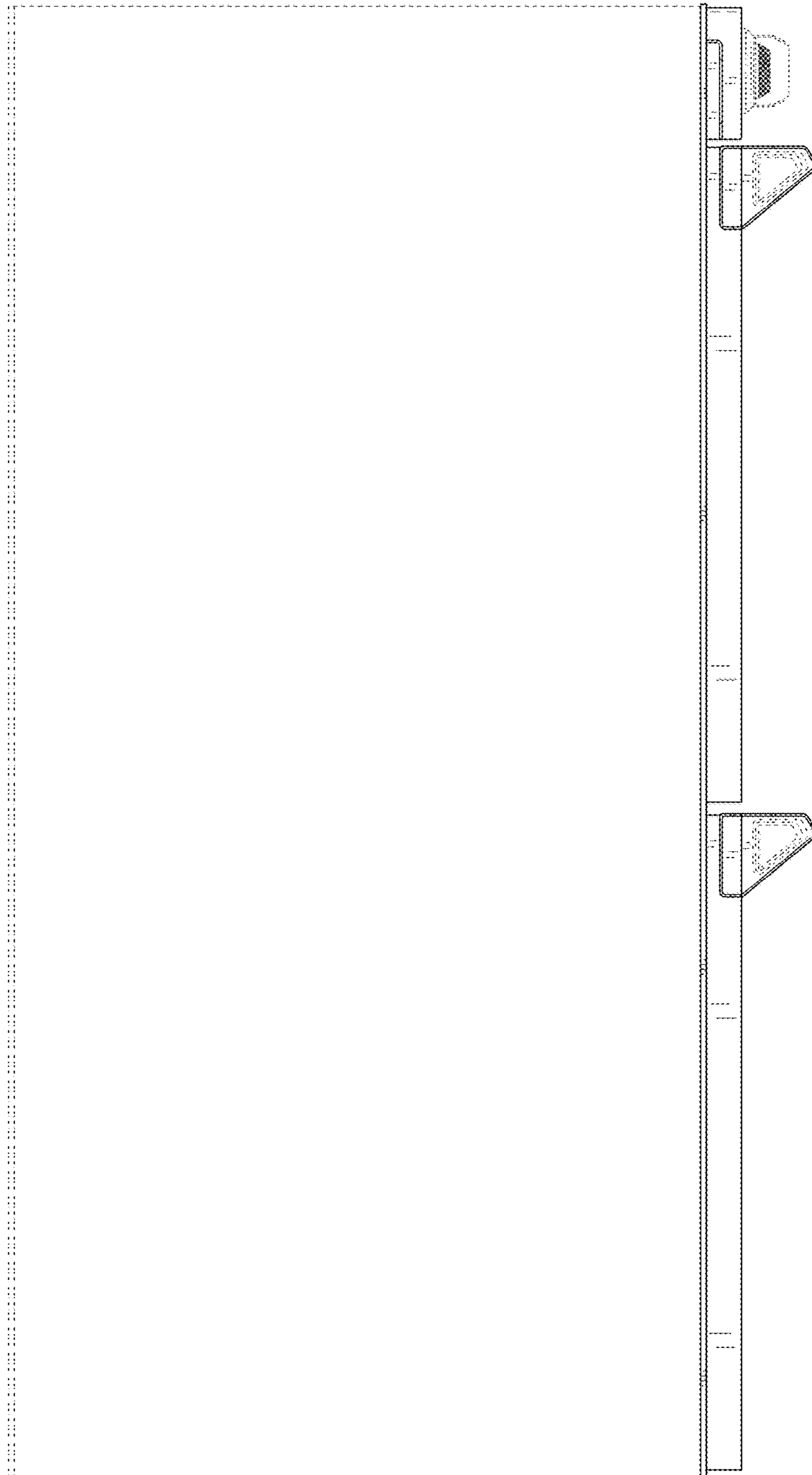


FIG. 5

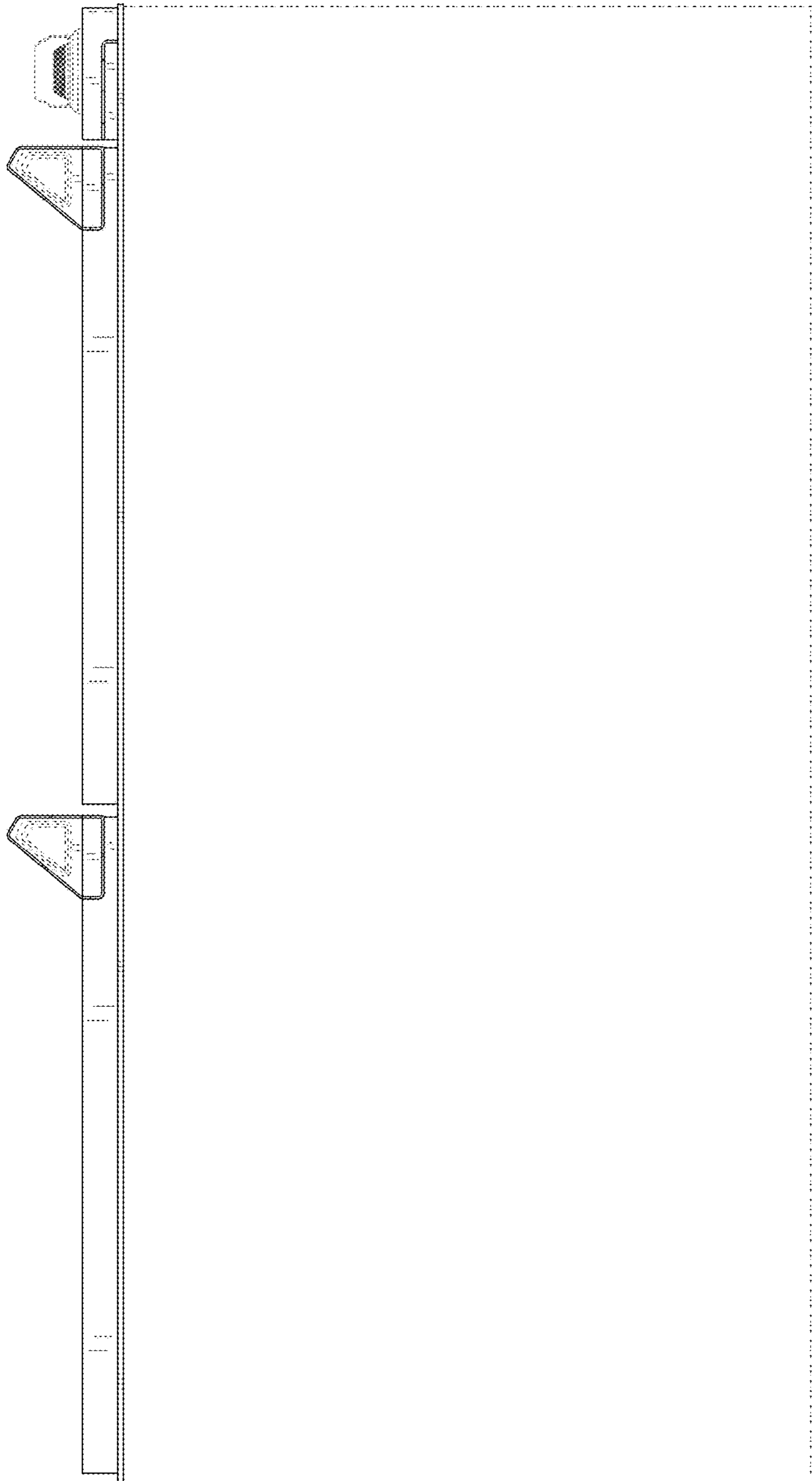


FIG. 6

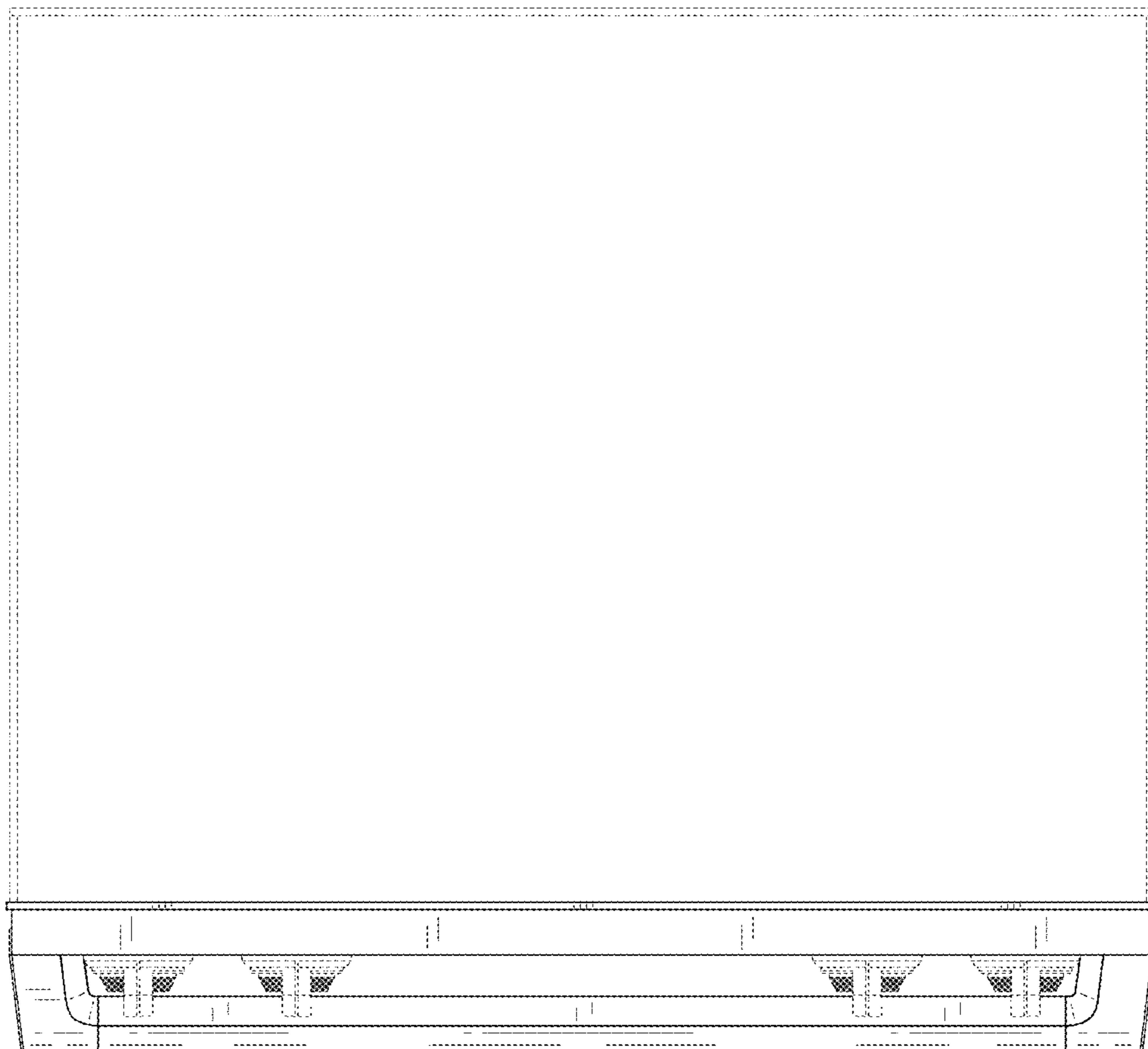




FIG. 7

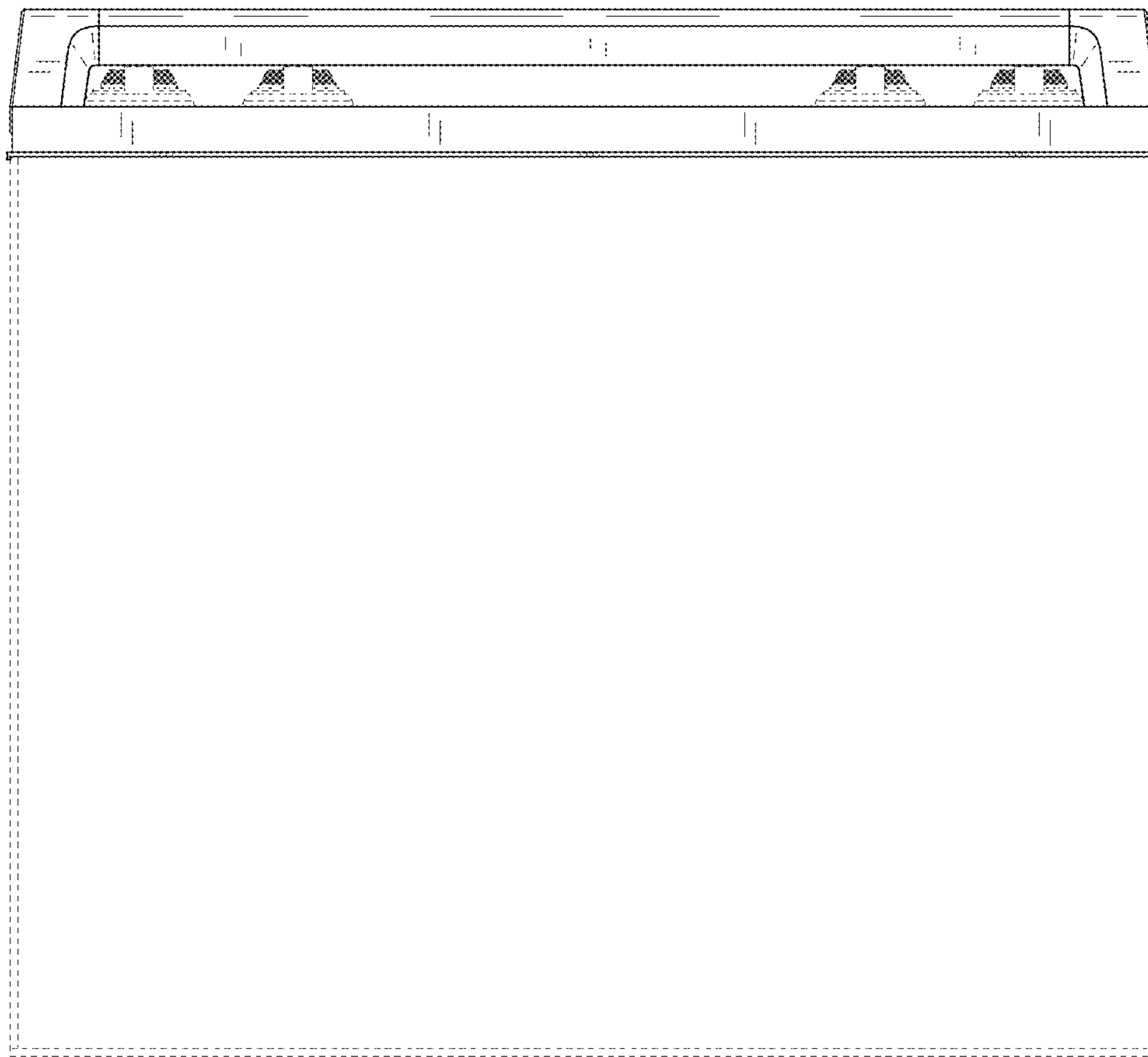


FIG. 8

