



US00D812957S

(12) **United States Design Patent**  
**McGuinness**

(10) **Patent No.:** **US D812,957 S**  
(45) **Date of Patent:** **\*\* Mar. 20, 2018**

- (54) **GRILL**
- (71) Applicant: **Steven J. McGuinness**, Woodstock, GA (US)
- (72) Inventor: **Steven J. McGuinness**, Woodstock, GA (US)
- (\*\*) Term: **15 Years**
- (21) Appl. No.: **29/562,339**
- (22) Filed: **Apr. 25, 2016**
- (51) **LOC (11) Cl.** ..... **07-99**
- (52) **U.S. Cl.**  
USPC ..... **D7/334**
- (58) **Field of Classification Search**  
USPC ..... D7/213, 323, 324, 325, 326, 327, 328, D7/329, 330, 331, 332, 333, 334, 335, D7/336, 337, 402, 404, 405, 406, 407  
CPC .... G05D 7/00; F24F 13/07; F24C 5/00; F24C 5/20; F24C 3/00; F24C 3/10; F24C 3/12; F24C 15/06; F24C 15/10; F24C 15/16; F24C 15/20; F23N 5/22; B60H 3/00; A62C 3/00; A47J 43/18; F24B 3/00; B32B 15/04  
See application file for complete search history.

- 2002/0096168 A1\* 7/2002 Weinmann, Sr. ... A47J 37/0704 126/9 R
- 2006/0272630 A1\* 12/2006 Sanders ..... A47J 33/00 126/9 R
- 2010/0297321 A1\* 11/2010 Strauch ..... A47J 37/041 426/523
- 2012/0174906 A1\* 7/2012 Hsu ..... A47J 37/041 126/25 AA
- 2013/0108750 A1\* 5/2013 Vitagliano ..... A47J 37/0704 426/312
- 2013/0108761 A1\* 5/2013 Kenton ..... A47J 37/10 426/523
- 2016/0183721 A1\* 6/2016 Fakhuri ..... A47J 37/0763 426/523
- 2017/0007072 A1\* 1/2017 Stern ..... A47J 43/283

\* cited by examiner

*Primary Examiner* — Susan Bennett Hattan  
*Assistant Examiner* — Suzanne E Tisdell  
(74) *Attorney, Agent, or Firm* — Bryan W. Bockhop; Bockhop Intellectual Property Law, LLC

(57) **CLAIM**

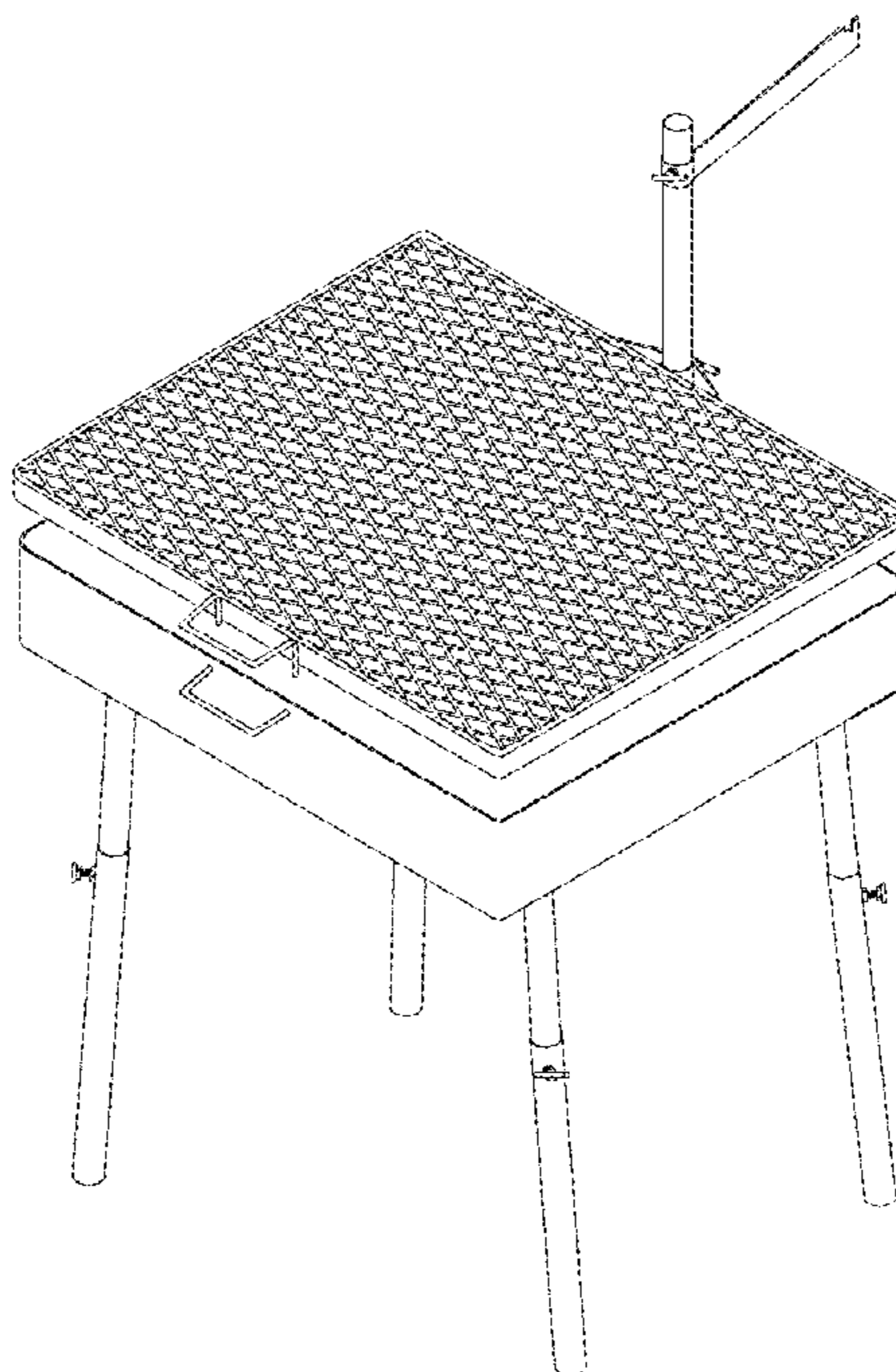
The ornamental design for a grill, as shown and described.

**DESCRIPTION**

FIG. 1 is a top perspective view of a grill showing my new design.  
FIG. 2 is a left side elevation view.  
FIG. 3 is a right side elevation view.  
FIG. 4 is a front side elevation view.  
FIG. 5 is a back side elevation view.  
FIG. 6 is a top plan view; and,  
FIG. 7 is a bottom plan view.  
The broken lines shown form no part of the claimed design.

**1 Claim, 7 Drawing Sheets**

- (56) **References Cited**  
U.S. PATENT DOCUMENTS  
2,839,989 A \* 6/1958 Persinger ..... A47J 37/049 220/491  
D635,814 S \* 4/2011 Leavens ..... D7/334  
D688,510 S \* 8/2013 Stirn ..... D7/334  
D694,056 S \* 11/2013 Dahle ..... D7/334  
D747,911 S \* 1/2016 Sheppard ..... D34/14



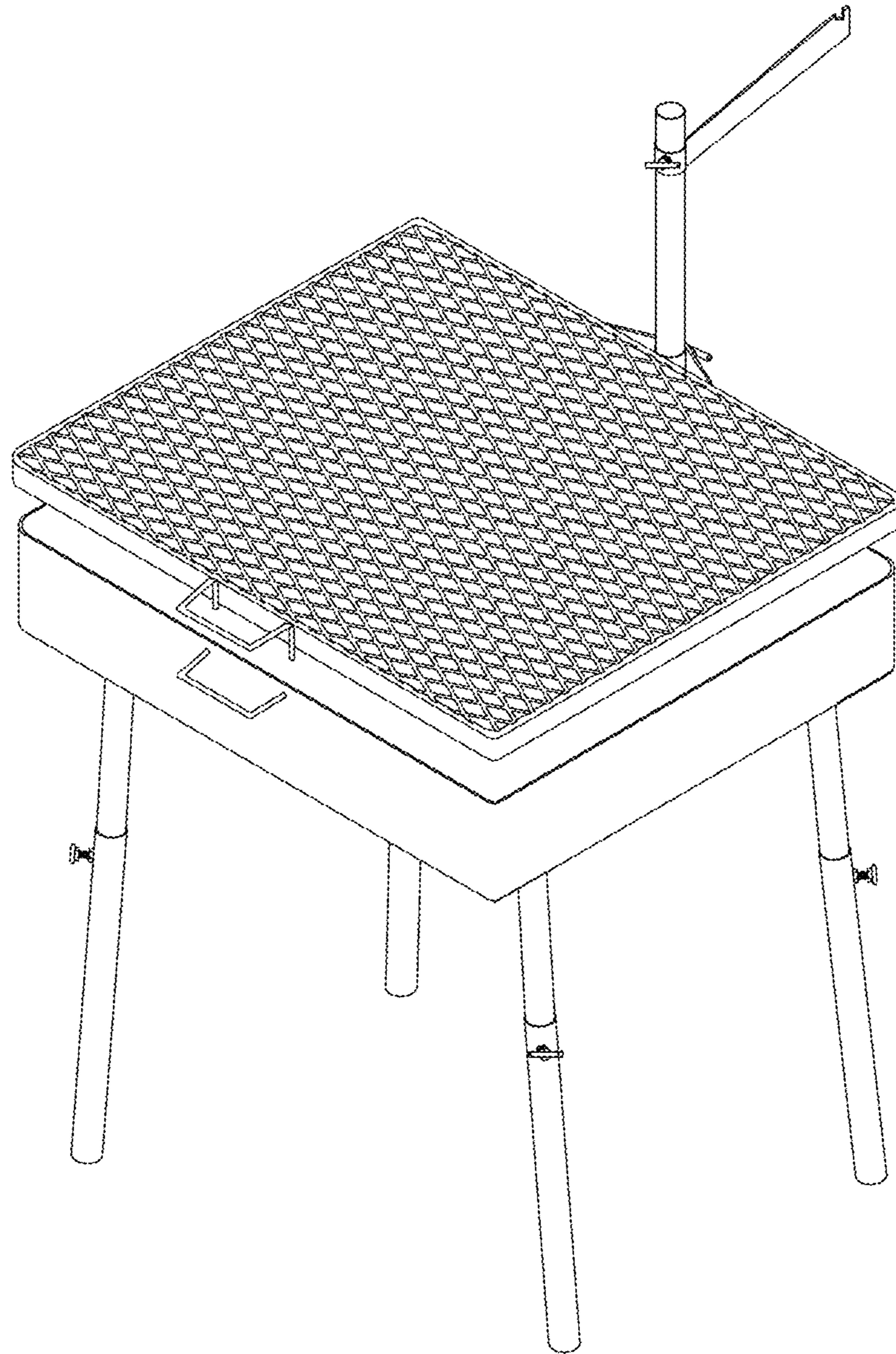


FIG. 1

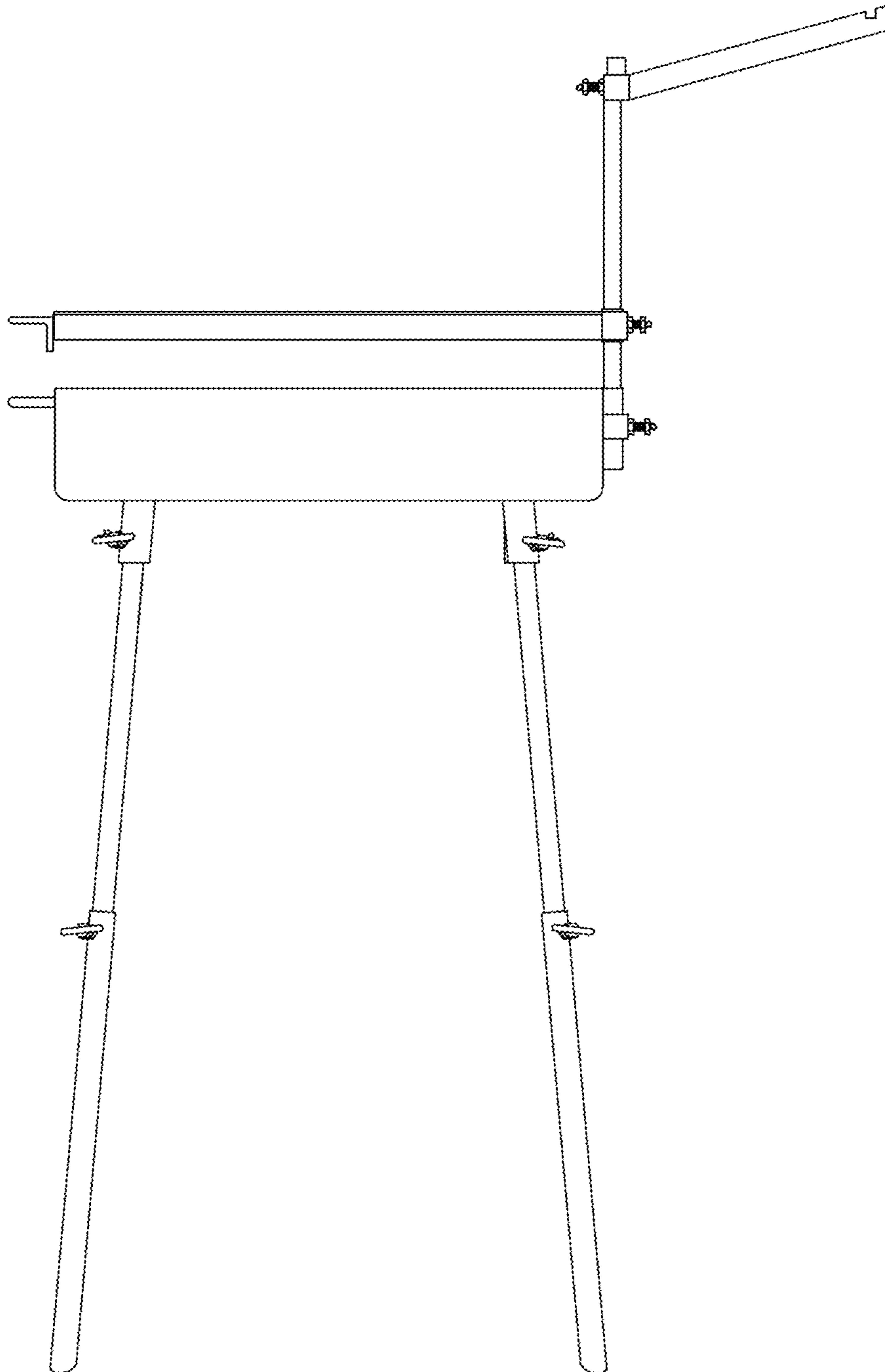


FIG. 2

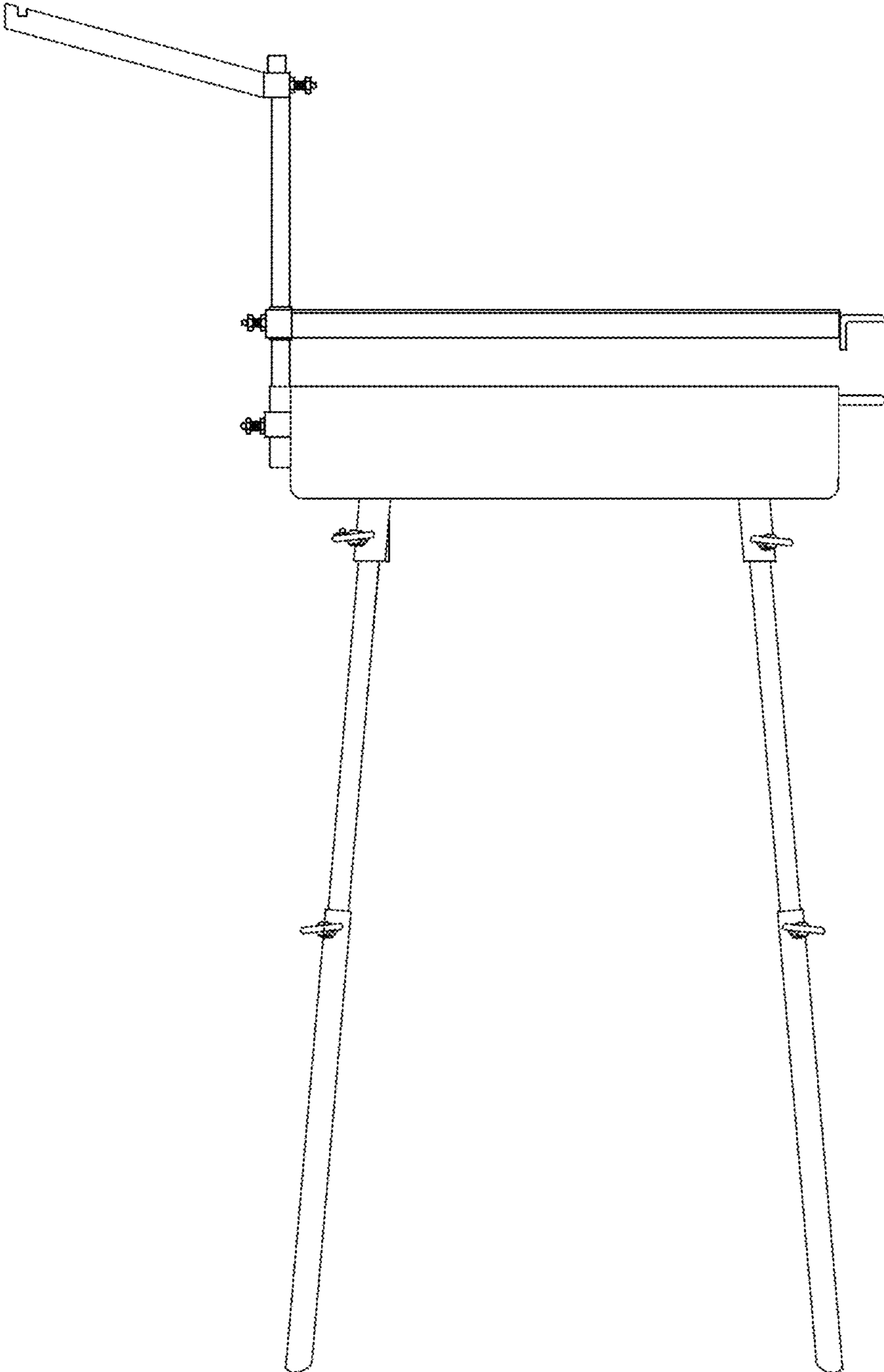


FIG. 3



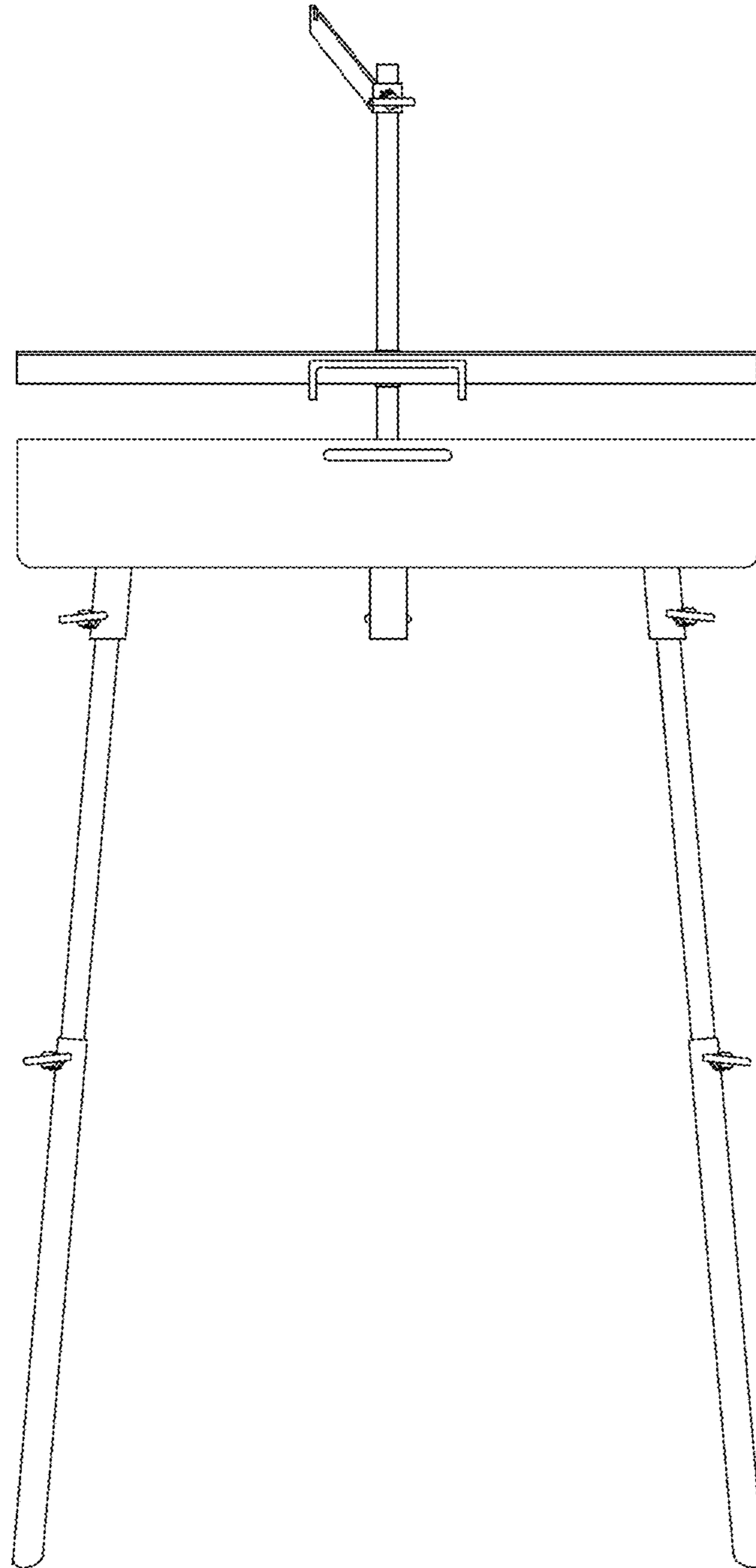


FIG. 4

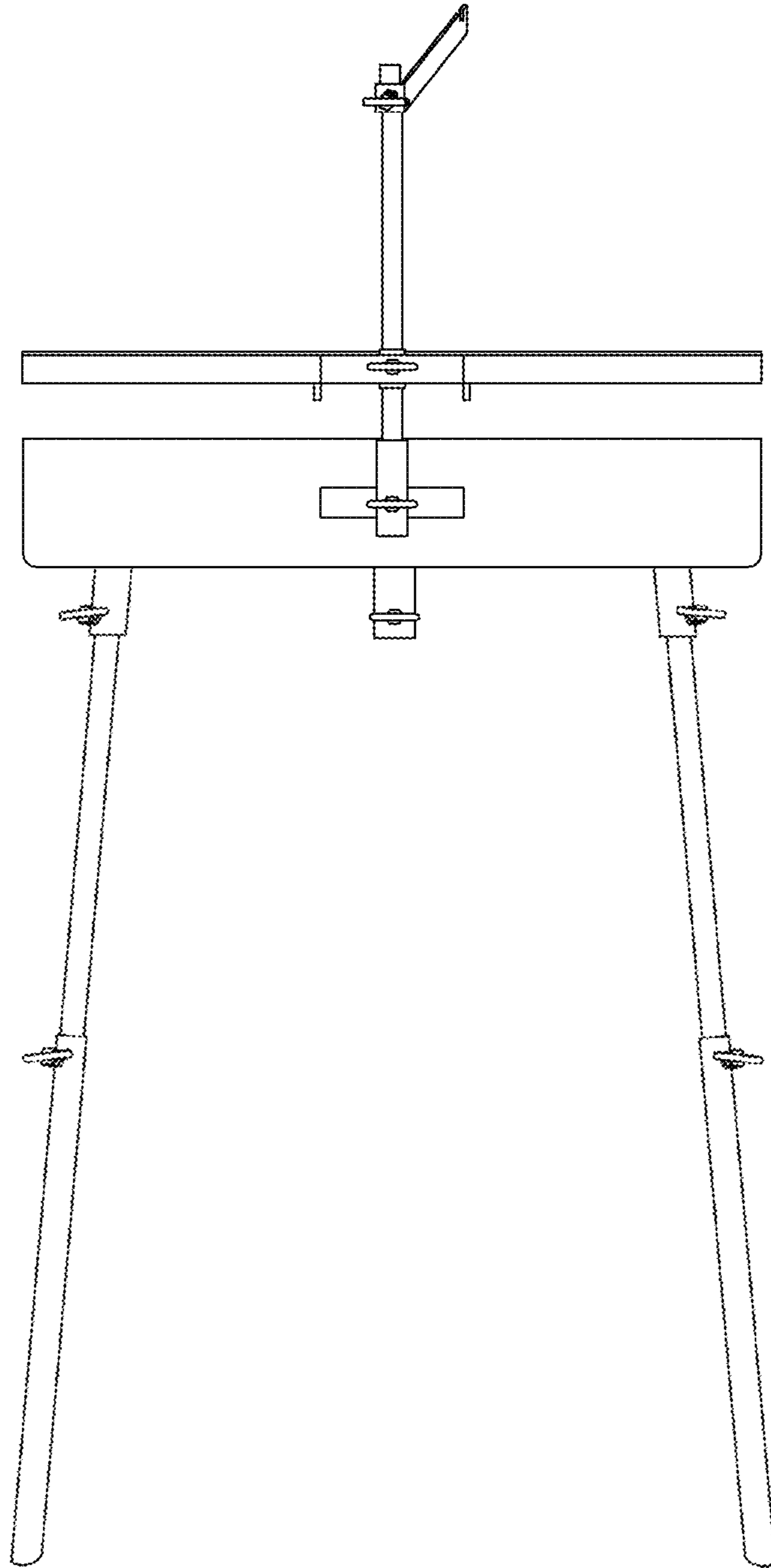


FIG. 5

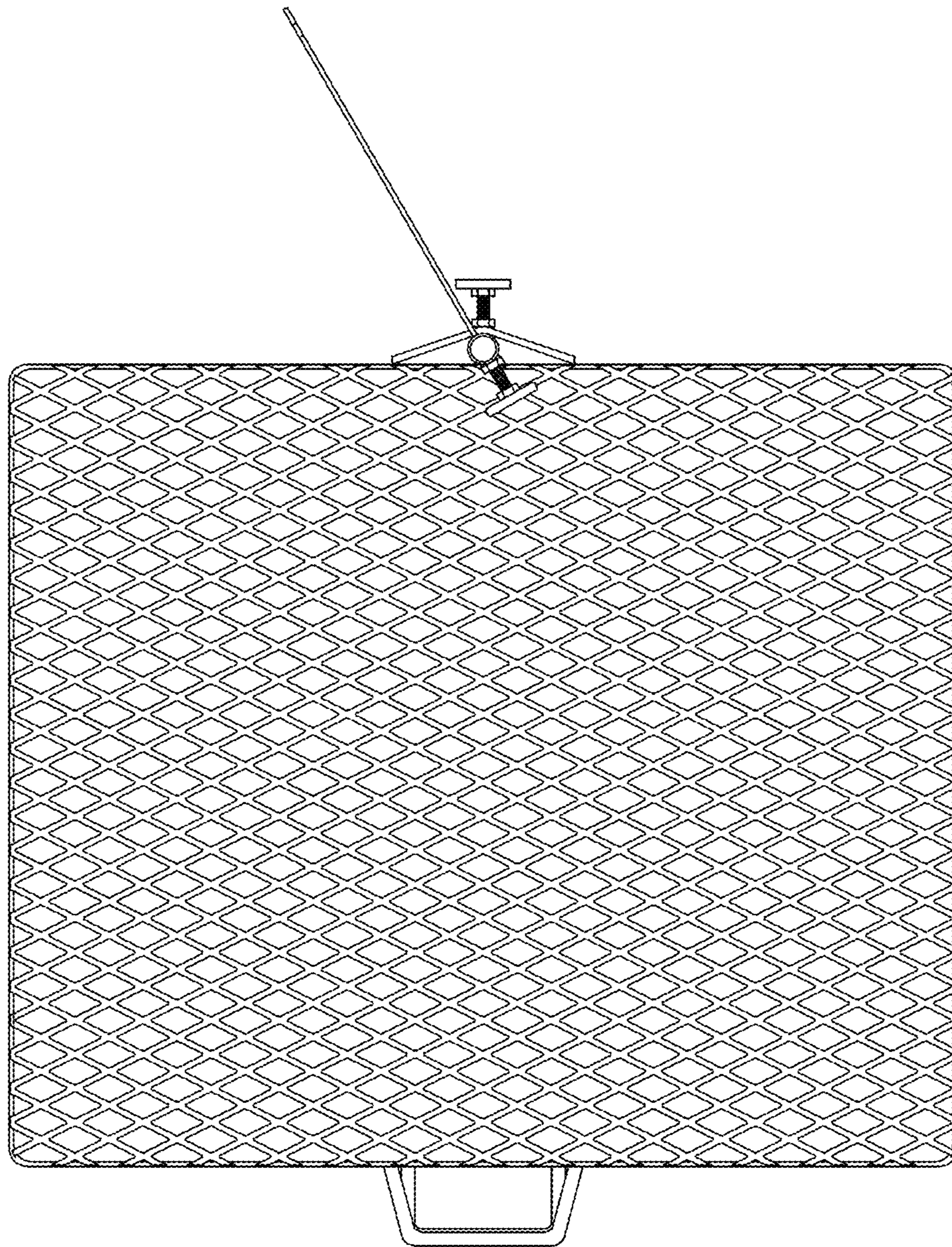


FIG. 6

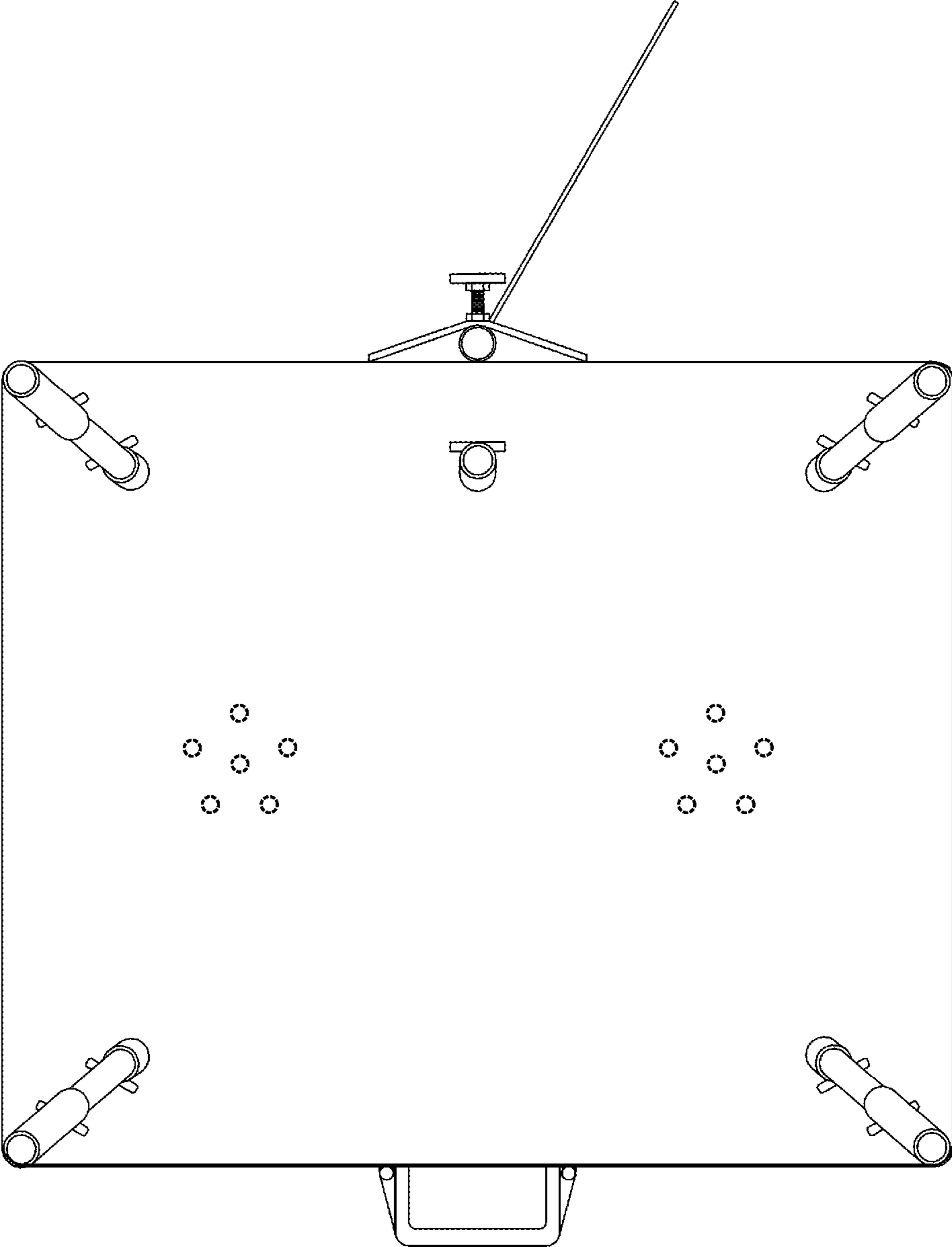


FIG. 7