



US00D812954S

(12) **United States Design Patent**
Rosati et al.

(10) **Patent No.:** **US D812,954 S**
(45) **Date of Patent:** **** Mar. 20, 2018**

- (54) **BEVERAGE MAKER**
- (71) Applicant: **Spectrum Brands, Inc.**, Middleton, WI (US)
- (72) Inventors: **Daniele Rosati**, Verona, WI (US); **Francisco Javier Barquin**, Madison, WI (US); **Claudia Del Conte**, Madison, WI (US)
- (73) Assignee: **Spectrum Brands, Inc.**, Middleton, WI (US)
- (**) Term: **15 Years**
- (21) Appl. No.: **29/571,378**
- (22) Filed: **Jul. 18, 2016**

D431,409 S *	10/2000	Man	D7/309
D452,106 S *	12/2001	Seiffert	D7/305
D505,292 S	5/2005	Spencer	
D550,499 S	9/2007	Argabrite et al.	
D561,516 S	2/2008	De Pra'	
D562,052 S	2/2008	De Pra'	
D571,598 S *	6/2008	Moore	D7/306
D584,097 S *	1/2009	Lam	D7/305
D585,691 S *	2/2009	Borin	D7/309
D589,739 S	4/2009	Giugiaro	
D592,003 S	5/2009	Giugiaro	
D600,060 S	9/2009	Fletcher et al.	
D600,490 S *	9/2009	Pino	D7/306
D624,780 S *	10/2010	Bodum	D7/309
D627,188 S *	11/2010	Picozza	D7/306
D630,471 S	1/2011	Wang	
D642,851 S *	8/2011	Yui	D7/307
D648,971 S *	11/2011	Goralski	D7/300
D649,391 S *	11/2011	Goralski	D7/300
8,047,124 B2 *	11/2011	Lin	A47J 31/42 99/286

Related U.S. Application Data

- (62) Division of application No. 29/509,333, filed on Nov. 17, 2014, now Pat. No. Des. 766,653.
- (51) **LOC (11) Cl.** **07-99**
- (52) **U.S. Cl.**
USPC **D7/309; D7/310; D7/311**
- (58) **Field of Classification Search**
USPC D7/306-311, 305, 300, 313, 399, 398, D7/397; 99/279, 284, 290, 280, 299, 99/307, 305, 295, 308, 309, 323.1, 395, 99/300; 222/23, 129.1; 62/395; D20/1; D23/207, 209; D15/89
CPC A47J 31/44; A47J 31/00; B67D 1/0041; B67D 3/00
See application file for complete search history.

References Cited

U.S. PATENT DOCUMENTS

- D344,205 S * 2/1994 Saltet D7/309
- D378,559 S * 3/1997 Gudefin D7/309

(Continued)

Primary Examiner — Marianne Pandozzi
(74) *Attorney, Agent, or Firm* — Banner & Witcoff, Ltd.

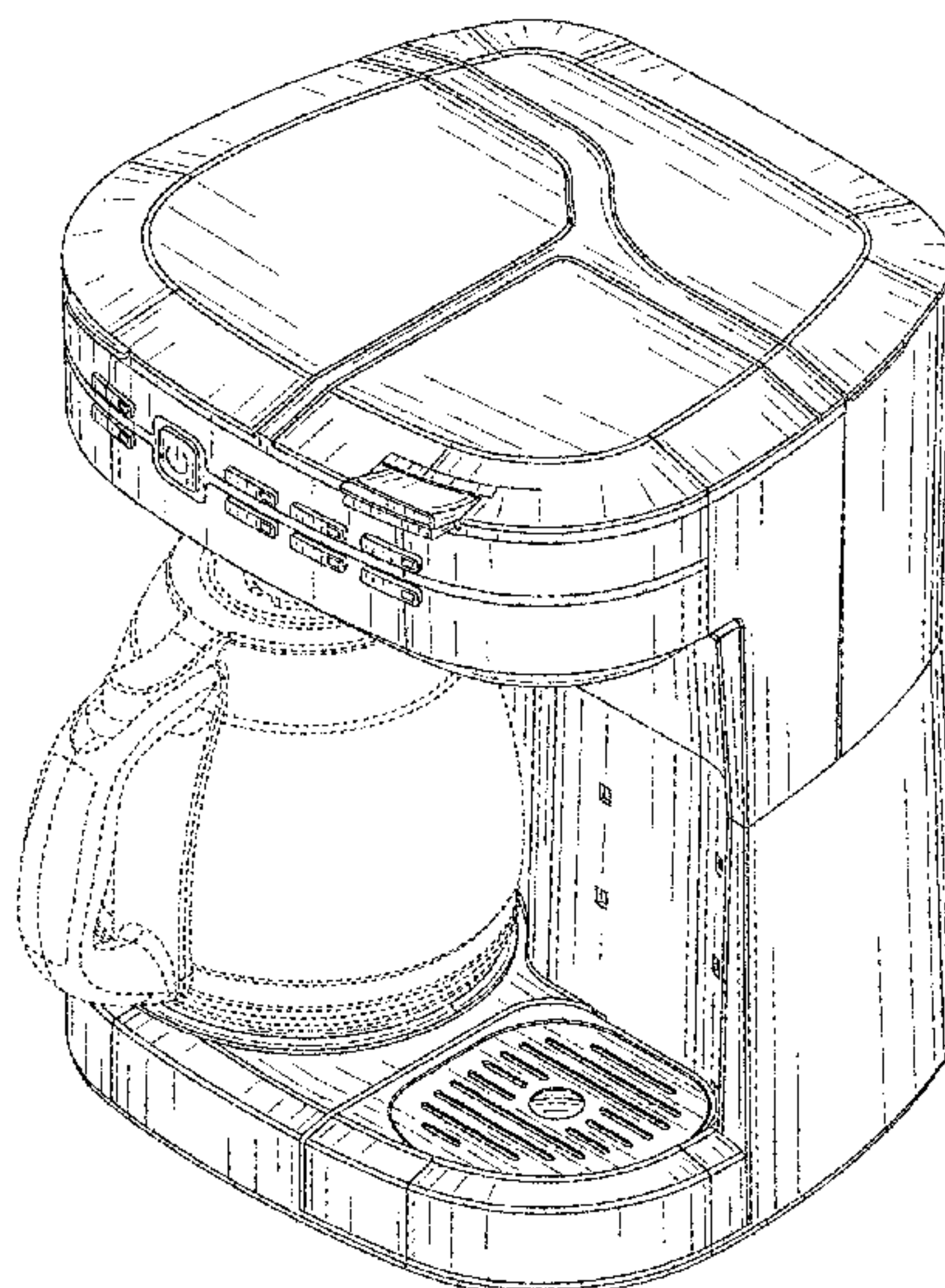
(57) **CLAIM**

What is claimed is the ornamental design for a beverage maker, as shown and described.

DESCRIPTION

FIG. 1—is a perspective view of the new design;
FIG. 2—is a front view of the new design shown in FIG. 1;
FIG. 3—is the right side view of the new design shown in FIG. 1;
FIG. 4—is the left side view of the new design shown in FIG. 1; and,
FIG. 5—is a top view of the new design shown in FIG. 1. The broken lines in the drawing depict portions of the beverage maker that form no part of the claimed design.

1 Claim, 5 Drawing Sheets



(56)

References Cited

U.S. PATENT DOCUMENTS

D654,755 S *	2/2012	Gresko	D7/308
D669,295 S *	10/2012	Koury	D7/309
D689,726 S *	9/2013	Romandy	D7/309
2010/0199848 A1 *	8/2010	Lin	A47J 31/10 99/286

* cited by examiner

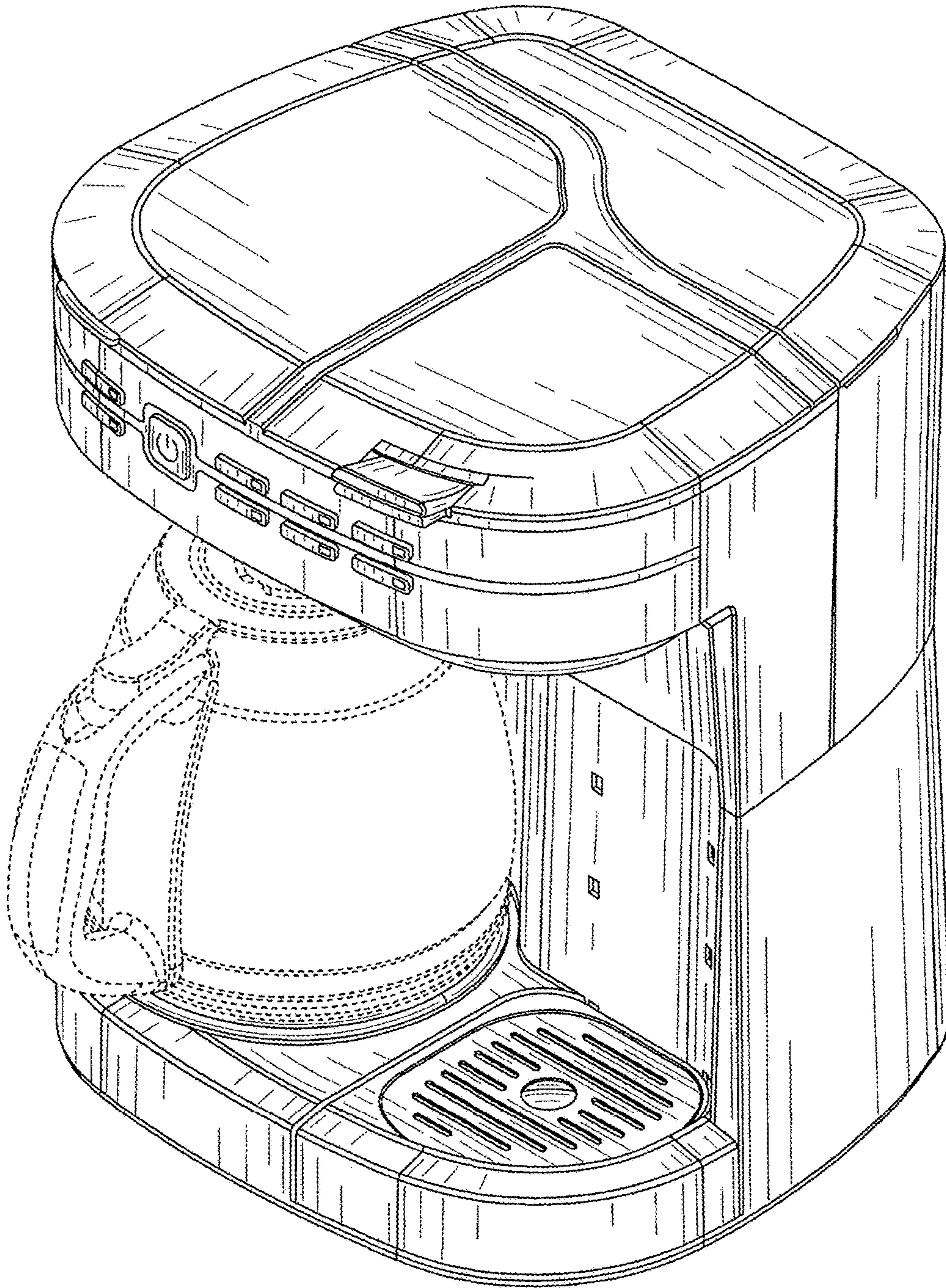


FIG. 1

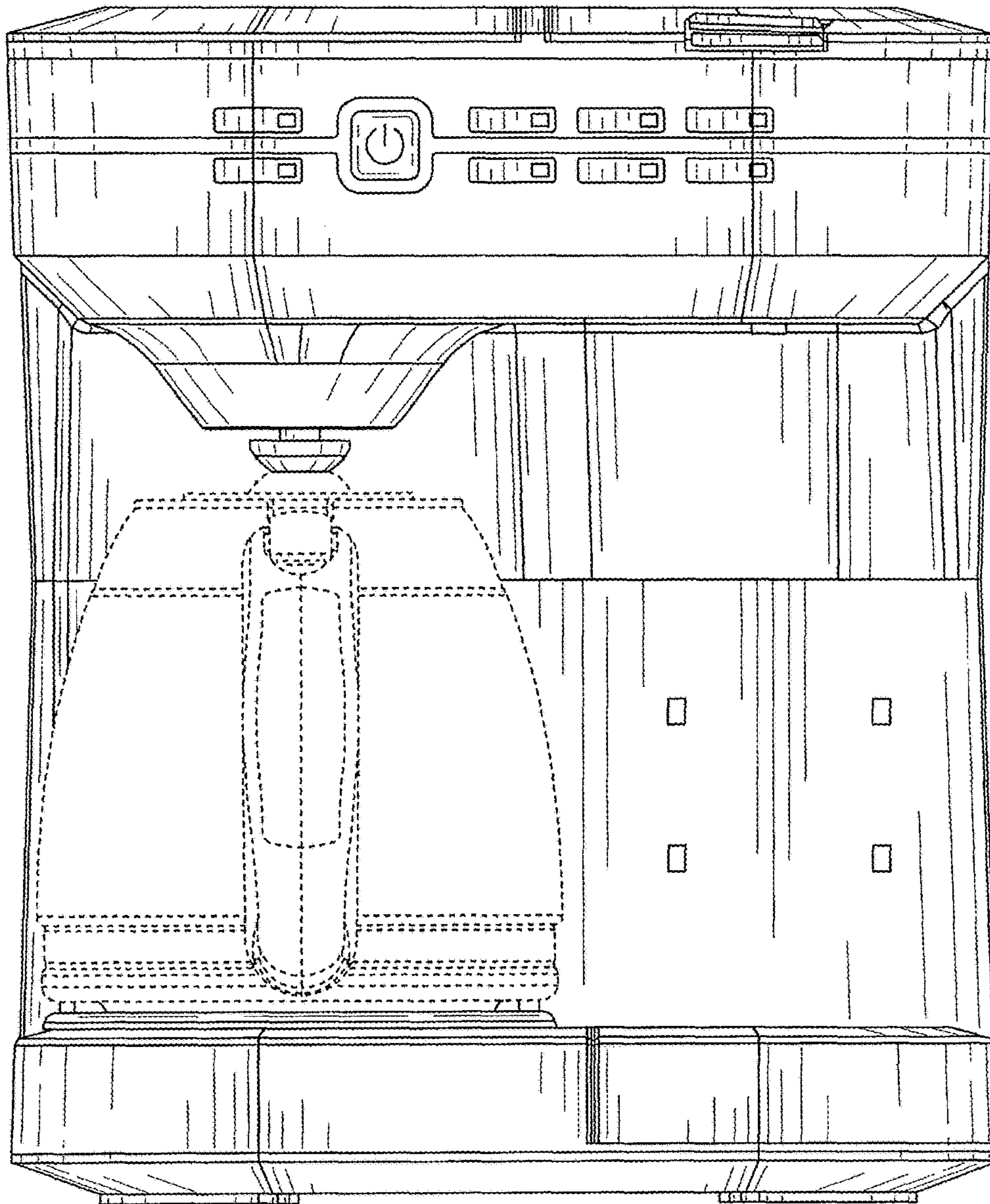


FIG. 2

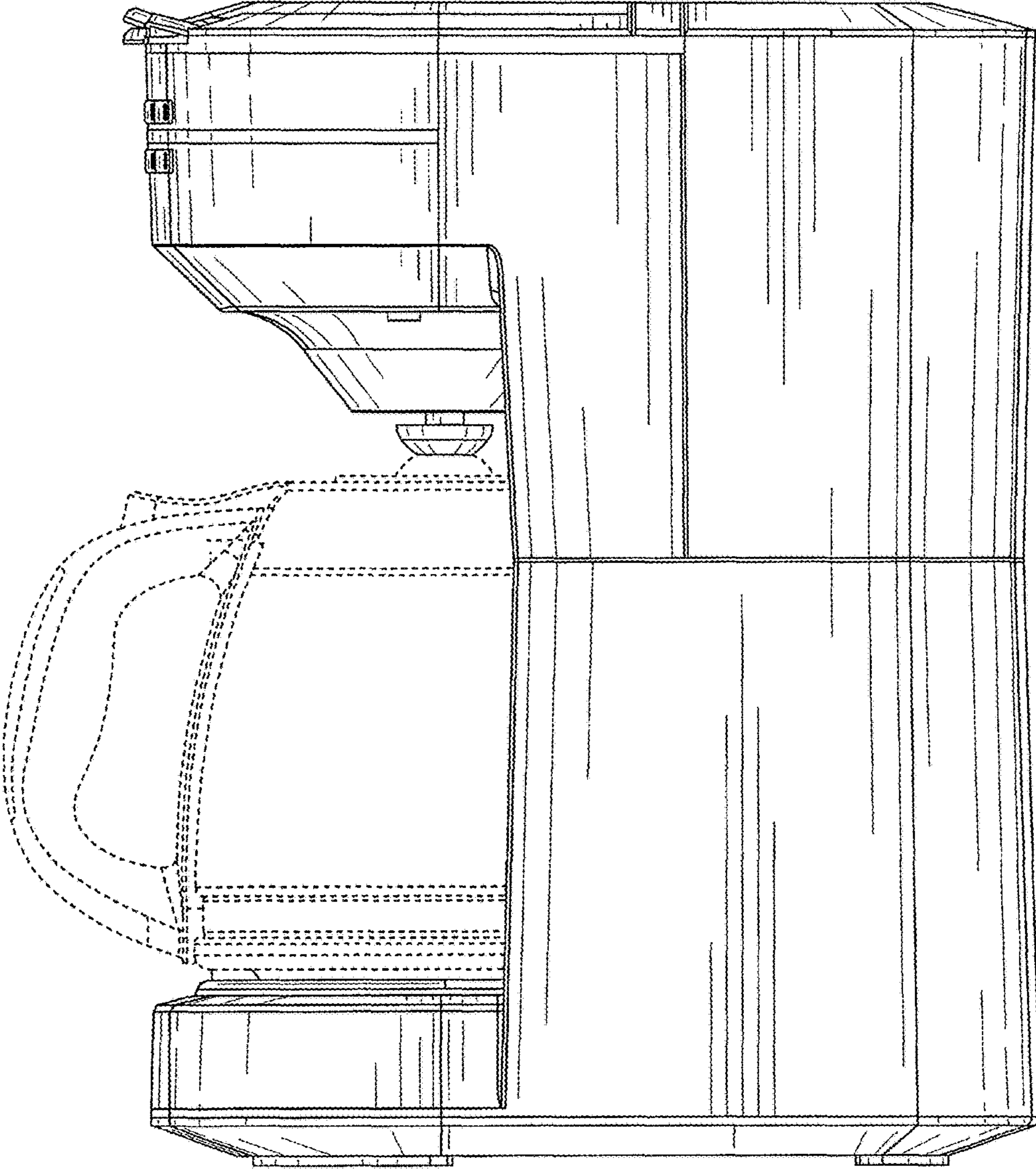


FIG. 3

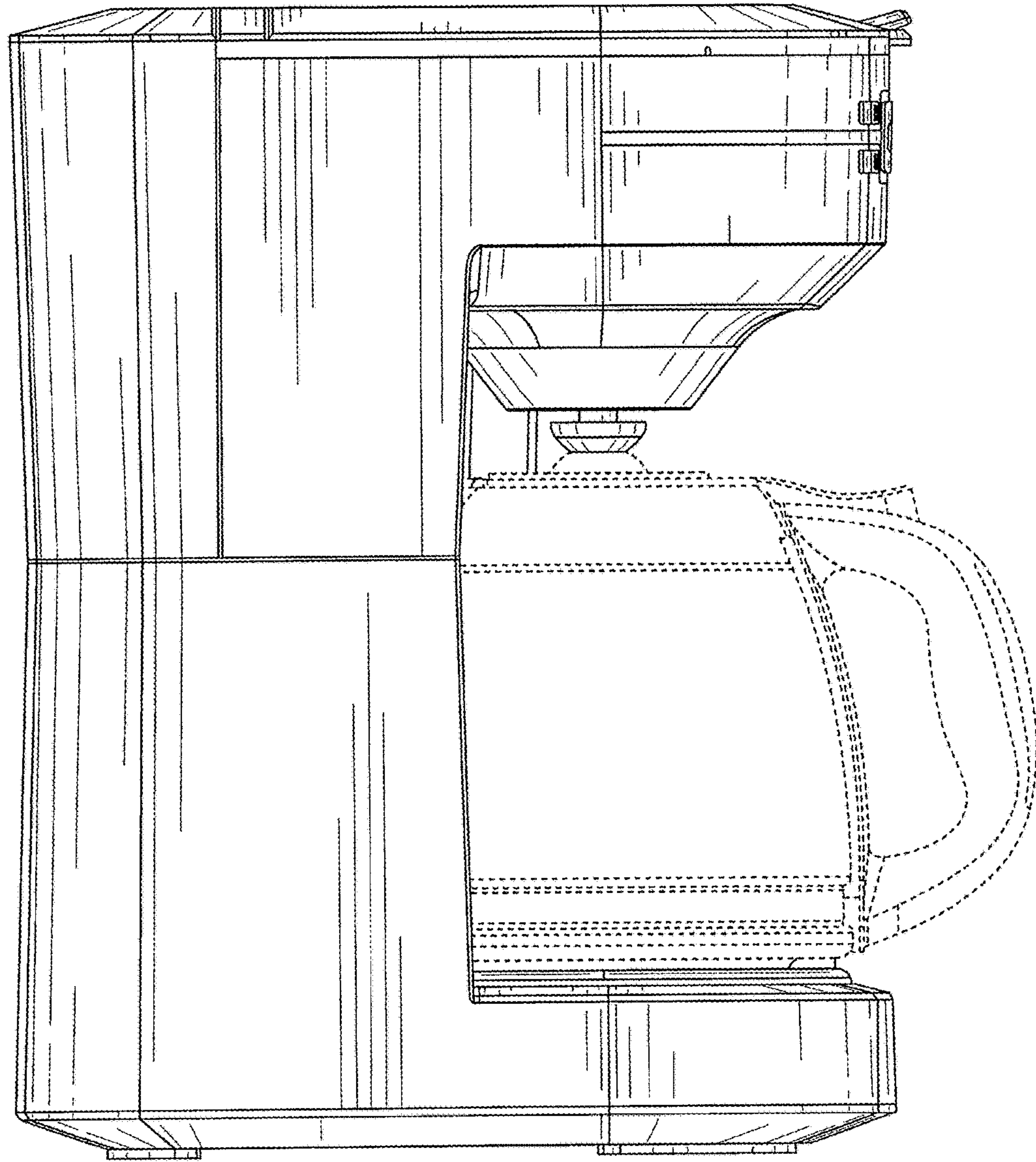


FIG. 4

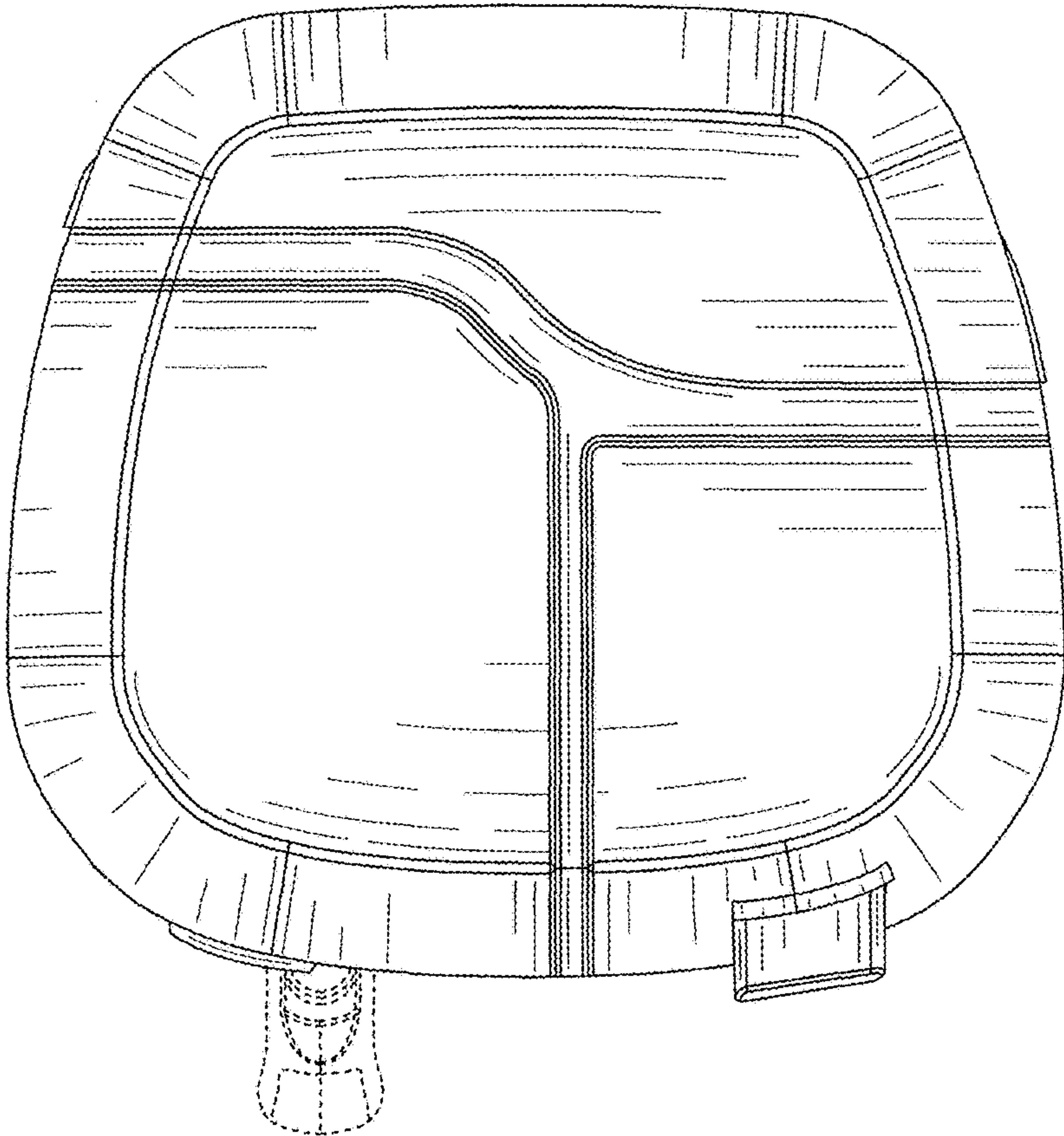


FIG. 5