



US00D812953S

(12) **United States Design Patent** (10) **Patent No.:** **US D812,953 S**
Berberet et al. (45) **Date of Patent:** **** Mar. 20, 2018**

(54) **FERMENTATION COOLING SYSTEM**

FOREIGN PATENT DOCUMENTS

(71) Applicant: **WHIRLPOOL CORPORATION**,
Benton Harbor, MI (US)

DE 29618312 U1 11/1996
GB 2123850 A 2/1984

(Continued)

(72) Inventors: **Suzanne M. Berberet**, St. Joseph, MI (US); **Christopher A. Gregory**, Saint Joseph, MI (US); **Zachary A. Lownds**, St. Joseph, MI (US)

OTHER PUBLICATIONS

Harris, J.O., "Single Tank Operation for Fermentation and Maturation," J. Inst. Brew., Sep.-Oct. 1980, vol. 86, pp. 230-233 (Revised Feb. 13, 1980).

(Continued)

(73) Assignee: **Whirlpool Corporation**, Benton Harbor, MI (US)

(**) Term: **15 Years**

Primary Examiner — Marianne Pandozzi

(74) *Attorney, Agent, or Firm* — Price Heneveld LLP

(21) Appl. No.: **29/566,258**

(57) **CLAIM**

(22) Filed: **May 27, 2016**

We claim the ornamental design for a fermentation cooling system, as shown and described.

(51) **LOC (11) Cl.** **07-01**

(52) **U.S. Cl.**
USPC **D7/306; D7/300; D7/313**

DESCRIPTION

(58) **Field of Classification Search**

USPC D7/387, 300, 306, 311, 313; 422/186.03;
250/455.11; D24/232; 99/275, 276
CPC C12G 1/0216; A61L 2202/122; F16L
2101/12; C12C 11/003; C12C 1/006;
B10D 19/02; A23B 4/02

See application file for complete search history.

FIG. 1 is a front perspective view of one embodiment of a fermentation cooling system of the present disclosure; FIG. 2 is a rear perspective view of the fermentation cooling system of FIG. 1; FIG. 3 is a front elevational view of the fermentation cooling system of FIG. 1; FIG. 4 is a rear elevational view of the fermentation cooling system of FIG. 1; FIG. 5 is a right side view of the fermentation cooling system of FIG. 1; FIG. 6 is a left side view of the fermentation cooling system of FIG. 1; FIG. 7 is a top plan view of the fermentation cooling system of FIG. 1; and, FIG. 8 is a bottom plan view of the fermentation cooling system of FIG. 1.

The broken lines in the drawings depict environmental subject matter only and form no part of the claimed design.

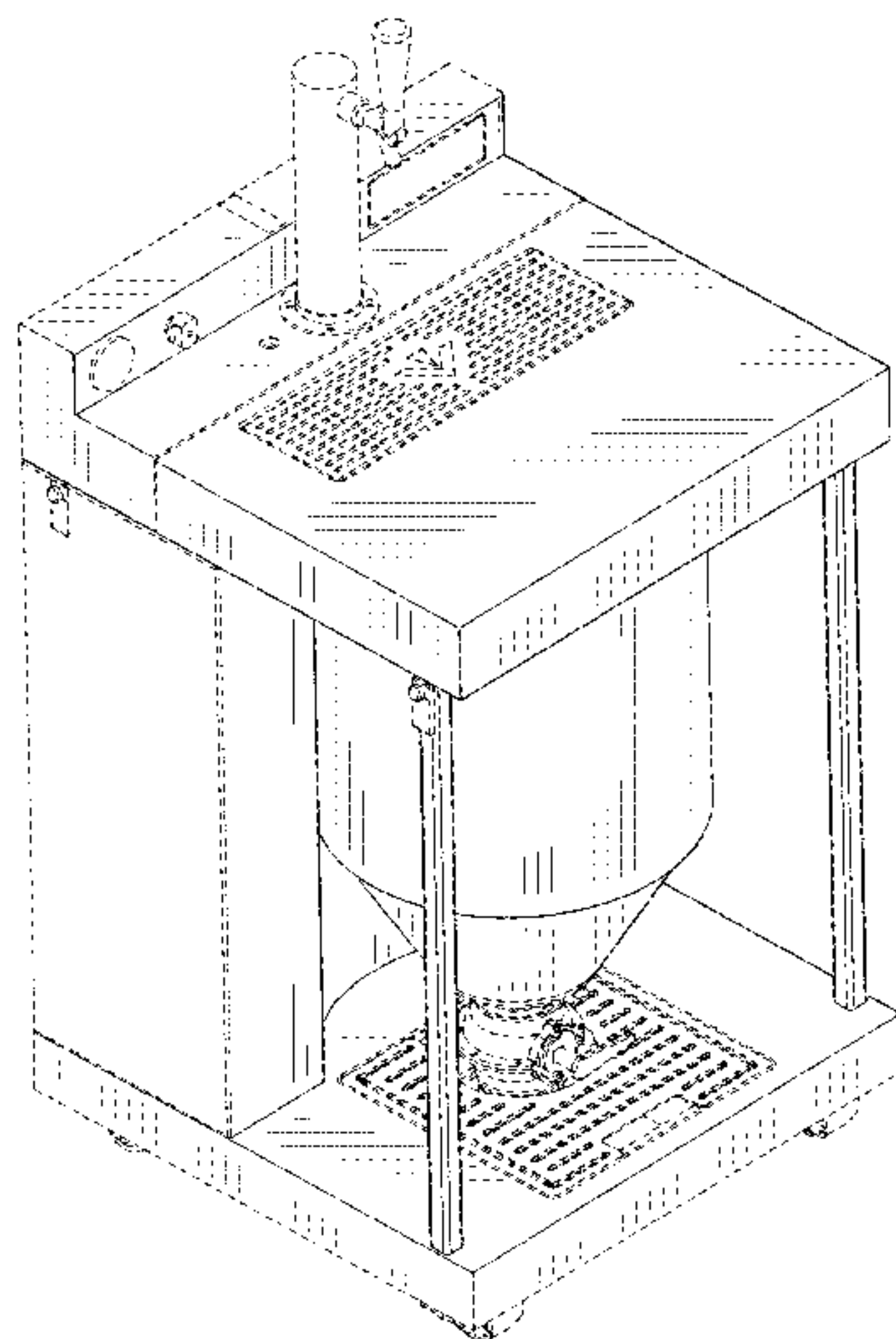
(56) **References Cited**

U.S. PATENT DOCUMENTS

492,292 A 2/1893 Hummel
694,584 A * 3/1902 Sele C12C 11/003
426/16
708,984 A 9/1902 Bartliff
712,431 A 10/1902 Bartliff
733,284 A 7/1903 Selg
1,033,136 A 7/1912 Wennersten
D49,939 S * 11/1916 Stern D7/306
D49,940 S * 11/1916 Stern D7/306

(Continued)

1 Claim, 8 Drawing Sheets



(56)

References Cited

U.S. PATENT DOCUMENTS

1,937,226 A 11/1933 Horch
 1,988,954 A 1/1935 Nathan et al.
 2,277,526 A 3/1942 Mojonnier et al.
 2,339,229 A 1/1944 Wyllie, Jr.
 D203,963 S * 3/1966 Frank D7/306
 3,433,148 A 3/1969 Takayanagi
 3,525,625 A 8/1970 Groulx et al.
 3,910,172 A 10/1975 Jaegle
 4,494,451 A 1/1985 Hickey
 4,704,363 A * 11/1987 Ziegler C12M 47/00
 435/293.1
 4,708,938 A 11/1987 Hickinbotham
 4,716,824 A * 1/1988 Hand A23B 4/26
 134/135
 4,754,698 A 7/1988 Naish
 5,101,637 A 4/1992 Daily
 5,311,811 A 5/1994 Kuzyk
 5,364,639 A 11/1994 MacLennan et al.
 5,365,830 A 11/1994 MacLennan et al.
 5,718,161 A 2/1998 Beadle
 6,032,571 A 3/2000 Brous et al.
 6,629,490 B1 10/2003 Lu et al.
 D487,377 S * 3/2004 McDougall D7/306
 6,805,885 B2 * 10/2004 Francia C12G 1/0216
 426/11
 D554,936 S * 11/2007 Kim D7/357
 7,661,556 B2 * 2/2010 van der Klaauw 222/1
 7,963,213 B1 6/2011 Murdock

D647,748 S * 11/2011 Beekhuis D7/300
 8,601,936 B2 12/2013 Williams et al.
 9,192,883 B1 * 11/2015 Blichmann B01D 43/00
 D756,164 S * 5/2016 Kim D7/368
 D778,662 S * 2/2017 Gannon D34/14
 D793,457 S * 8/2017 Kim D15/79
 2004/0012914 A1 1/2004 Chu et al.
 2006/0138177 A1 6/2006 Wauters et al.
 2013/0340624 A1 12/2013 Webber
 2014/0017354 A1 1/2014 Joseph et al.
 2015/0000530 A1 1/2015 Mitchell et al.
 2015/0000531 A1 1/2015 Mitchell et al.
 2015/0000532 A1 1/2015 Mitchell et al.
 2015/0129618 A1 * 5/2015 Peirsman B67D 1/14
 222/399
 2015/0351290 A1 12/2015 Shedd

FOREIGN PATENT DOCUMENTS

GB 2157314 A 10/1985
 JP 2001120253 A 5/2001
 JP 2004344055 A 12/2004
 WO 9832836 A2 7/1998

OTHER PUBLICATIONS

Speidel, "Translation from the German original Operating/brewing instructions," Speidels Braumeister, Item No. 41010, 47070, 45050, Issue, Nov. 2014 (32 pages).

* cited by examiner

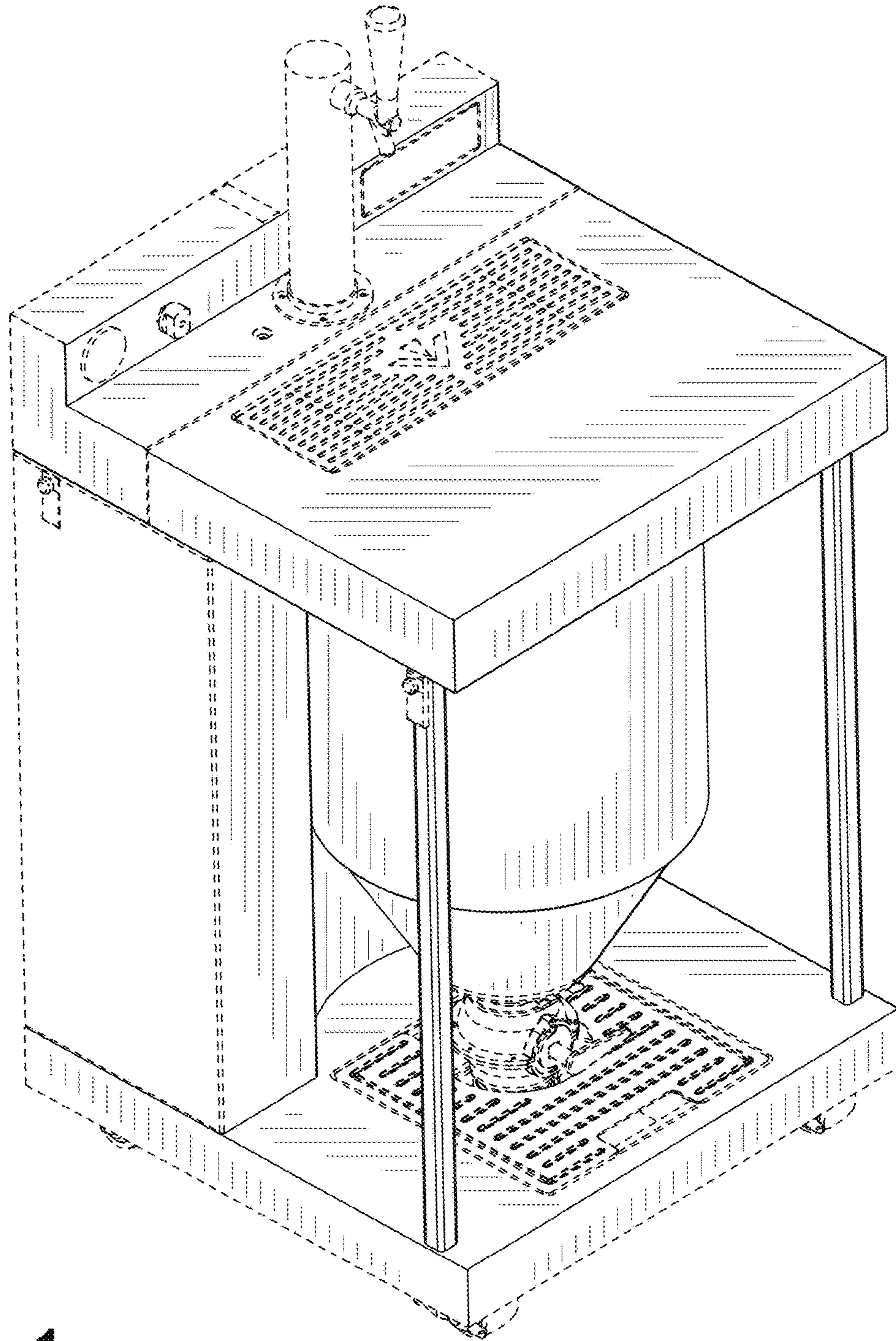


FIG. 1

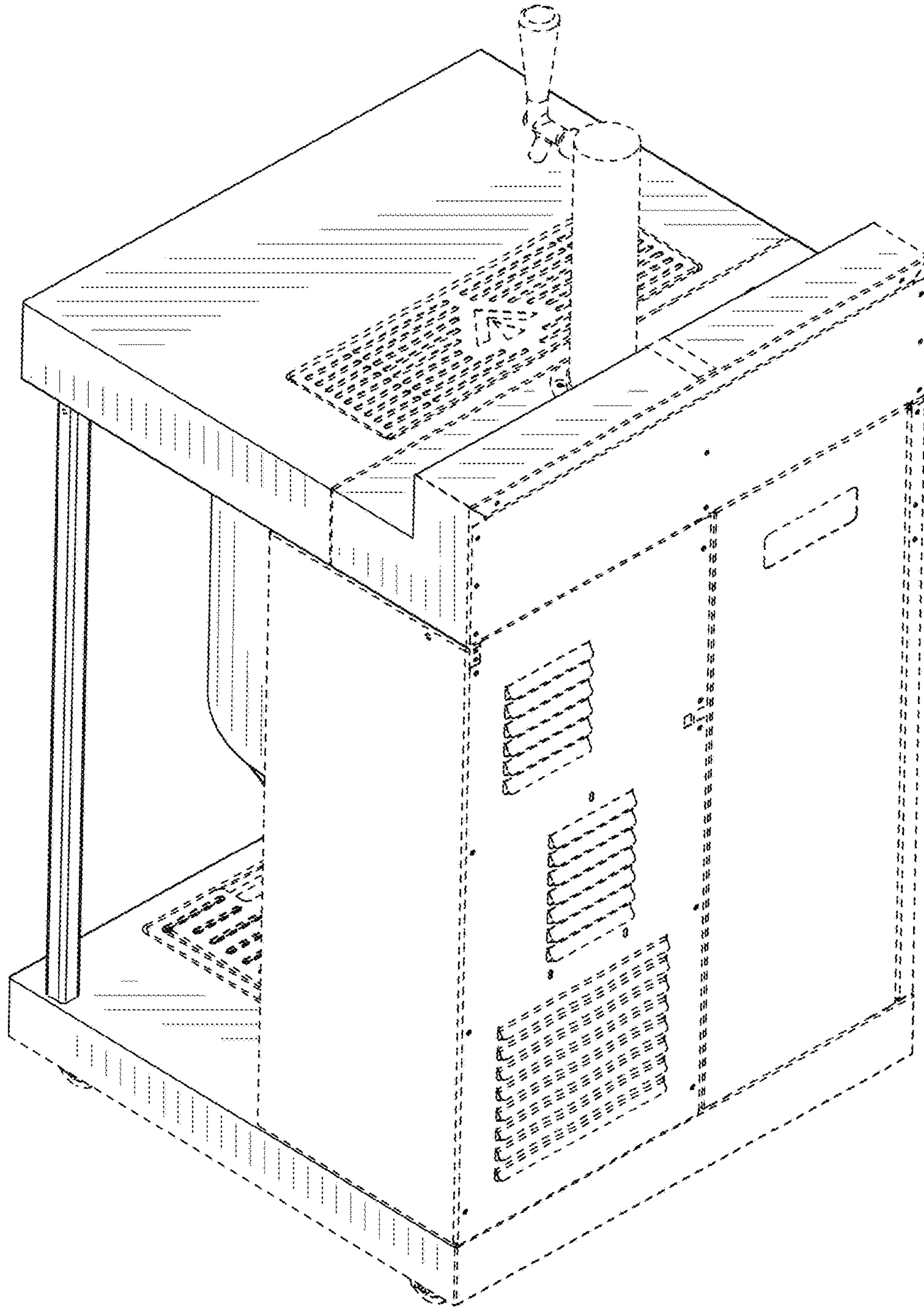


FIG. 2

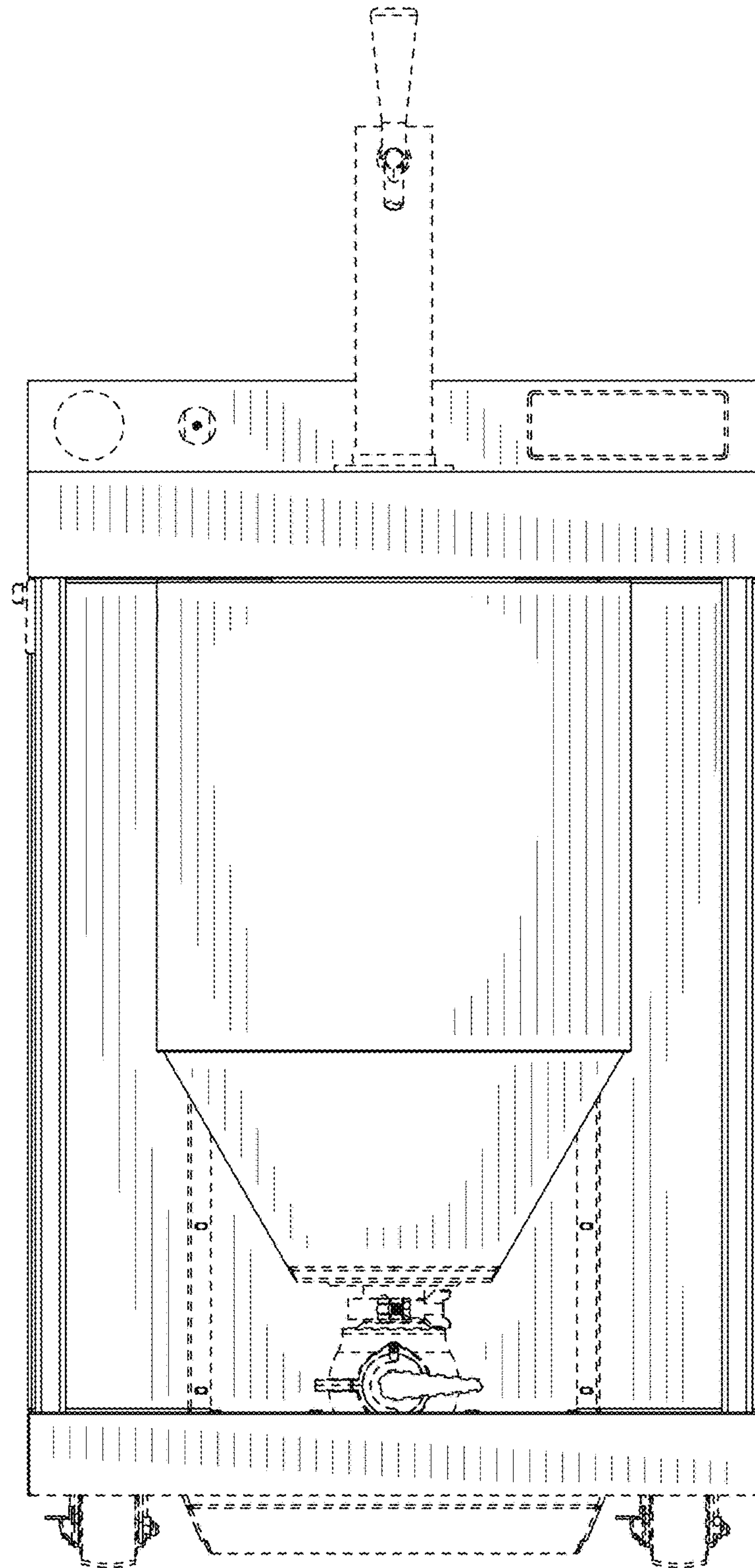


FIG. 3

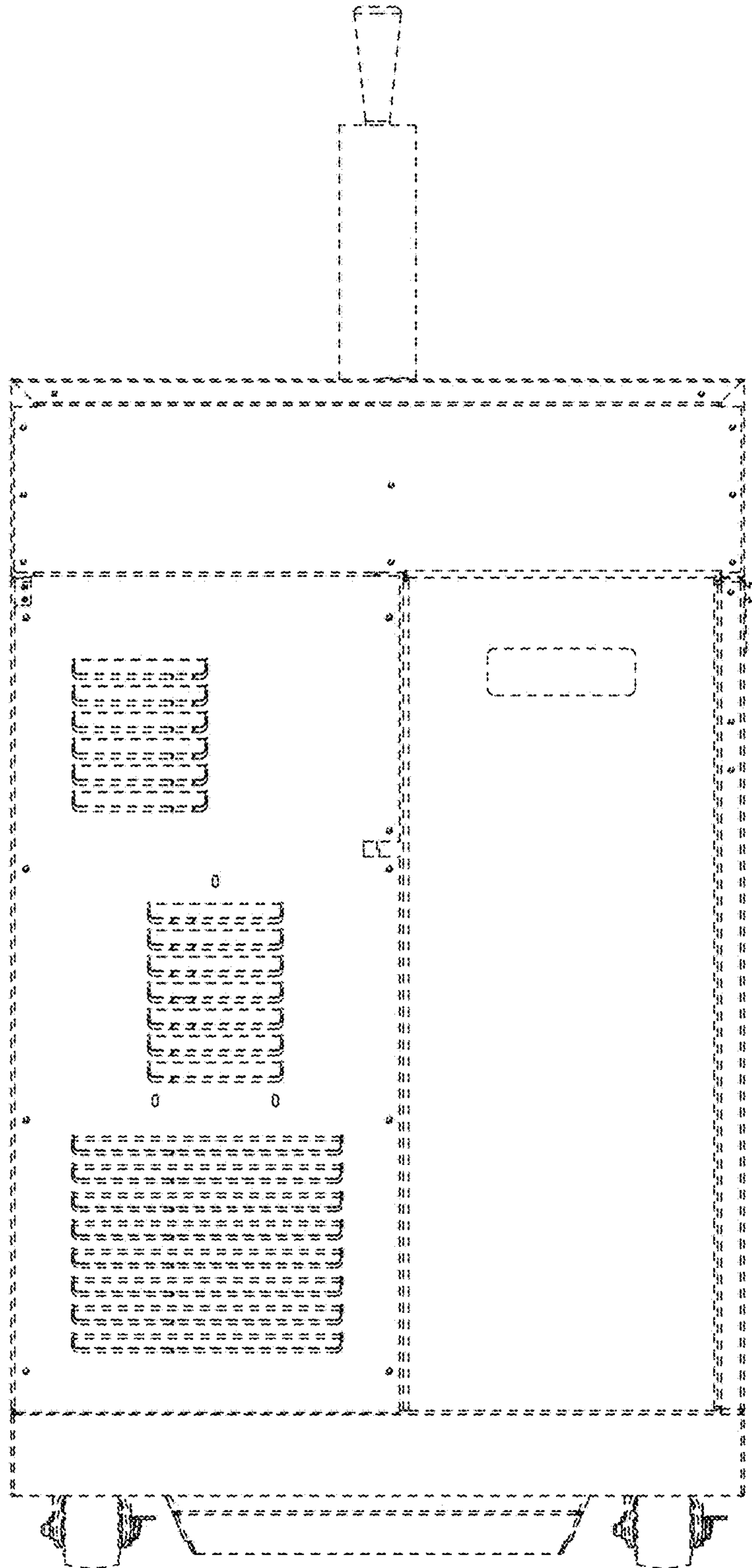


FIG. 4

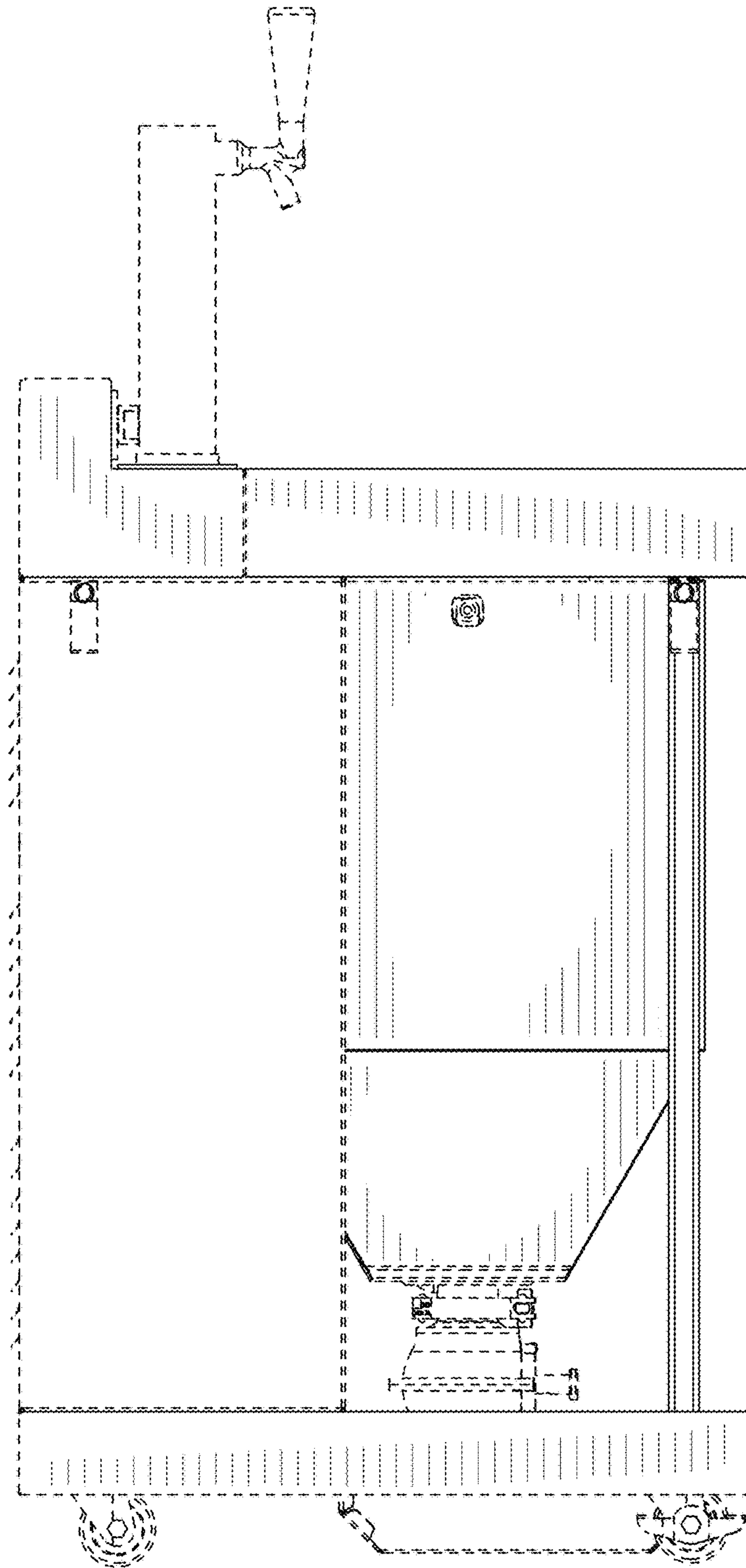


FIG. 5

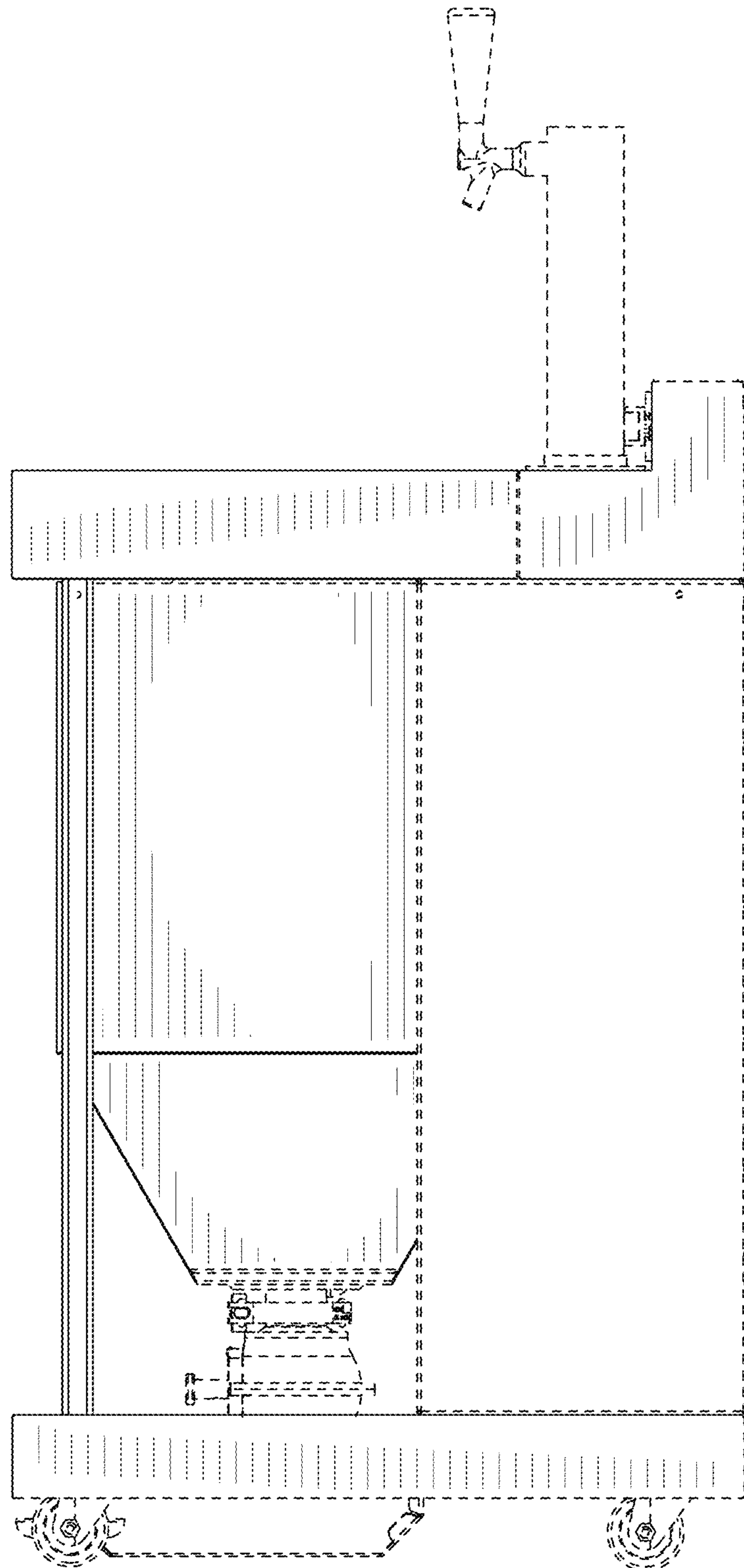


FIG. 6

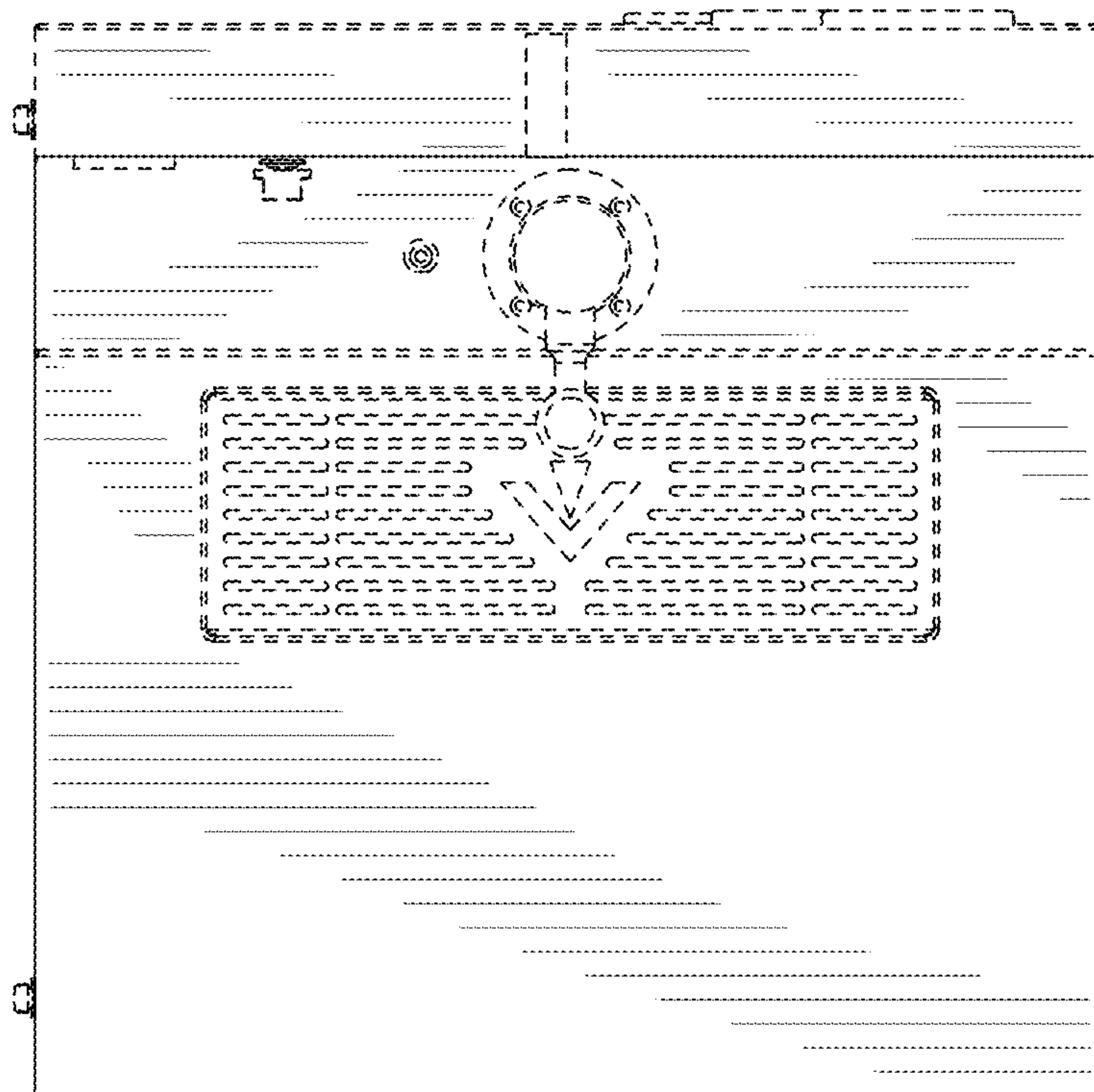


FIG. 7

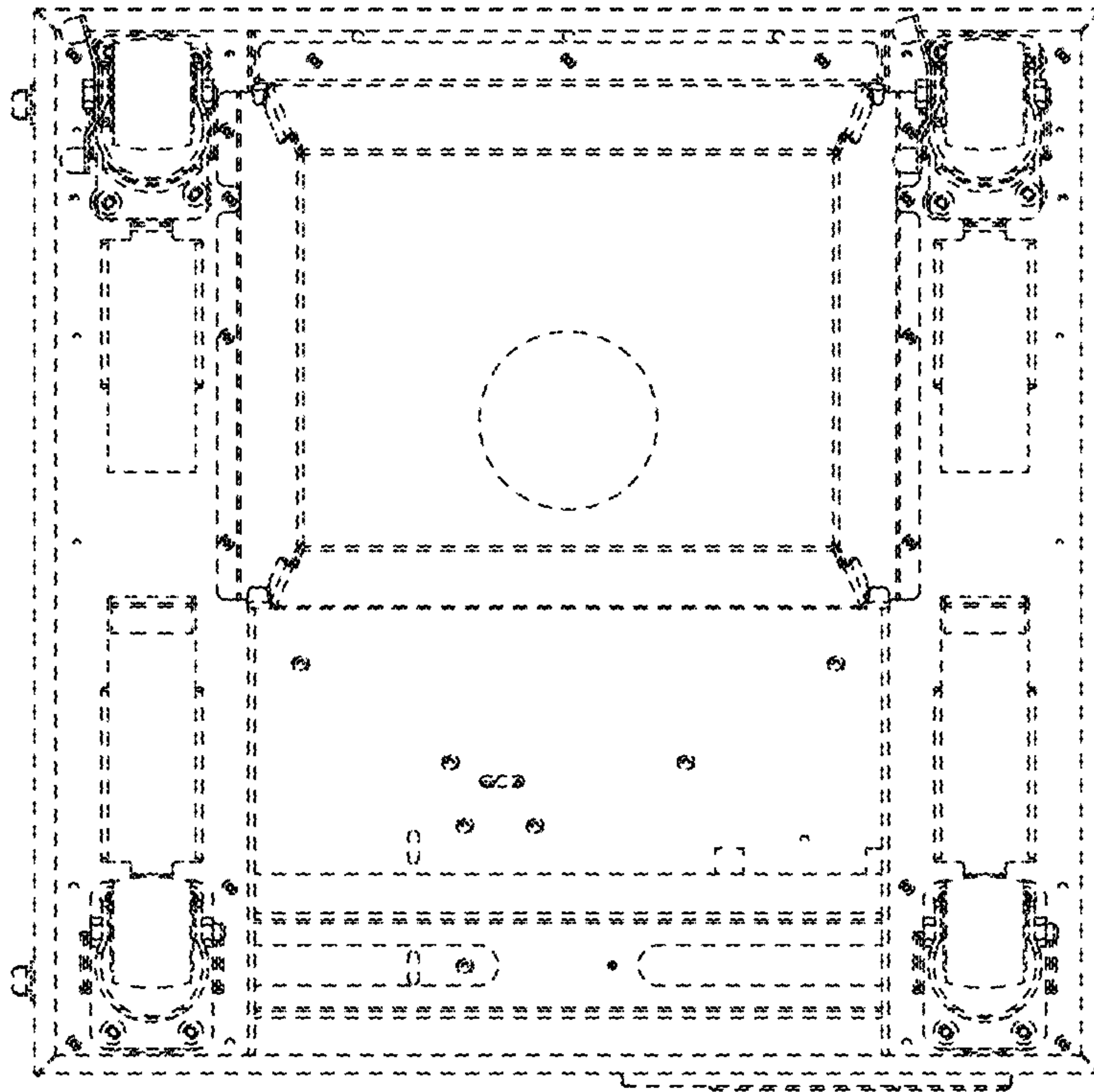


FIG. 8