



US00D812952S

(12) **United States Design Patent**  
**Fedorak et al.**

(10) **Patent No.: US D812,952 S**  
(45) **Date of Patent: \*\* \*Mar. 20, 2018**

(54) **BEVERAGE MACHINE**  
(71) Applicant: **BARTESIAN INC.**, Kitchener (CA)

D600,967 S \* 9/2009 Cahen ..... D7/309  
D602,303 S \* 10/2009 Cahen ..... D7/309  
D690,150 S \* 9/2013 Cahen ..... D7/309

(Continued)

(72) Inventors: **Bryan Neil Stephen Fedorak**,  
Kitchener (CA); **Jason Neevel**,  
Kitchener (CA); **Kristopher**  
**Christensen**, Oakville (CA); **Jacob**  
**Edding**, East York (CA); **Art de**  
**Guzman**, Toronto (CA); **Nicol**  
**Alexander Boyd**, Kennedy Town (HK);  
**Tomas Wilhelm Rosén**, Lidingö (SE)

FOREIGN PATENT DOCUMENTS

CA 2755426 A1 10/2010  
CA 2871082 A1 11/2013

(Continued)

(73) Assignee: **BARTESIAN INC.**, Kitchener (CA)

International Search Report dated Jun. 15, 2017 for PCT International Application No. PCT/IB2017/051205.

(Continued)

(\* ) Notice: This patent is subject to a terminal disclaimer.

*Primary Examiner* — Marianne Pandozzi

(74) *Attorney, Agent, or Firm* — Perry + Currier Inc.

(\*\*) Term: **15 Years**

(57) **CLAIM**

(21) Appl. No.: **29/556,027**

What is claimed is the ornamental design for a beverage machine, as shown and described.

(22) Filed: **Feb. 26, 2016**

(51) **LOC (11) Cl.** ..... **07-01**

(52) **U.S. Cl.**

USPC ..... **D7/306**; D7/311; D7/309

(58) **Field of Classification Search**

USPC ..... D7/305-311, 313; D15/82; 222/129.1,  
222/146.6; 99/295

CPC ..... A47J 31/44; A47J 31/4403; A47J 31/46;  
A47J 31/4482; A47J 31/369; A47J  
31/407; A47J 31/10; A47J 31/467; A47J  
31/0615; B67D 1/36; B67D 2210/0065;  
B67D 1/0864; B67D 3/0061

See application file for complete search history.

**DESCRIPTION**

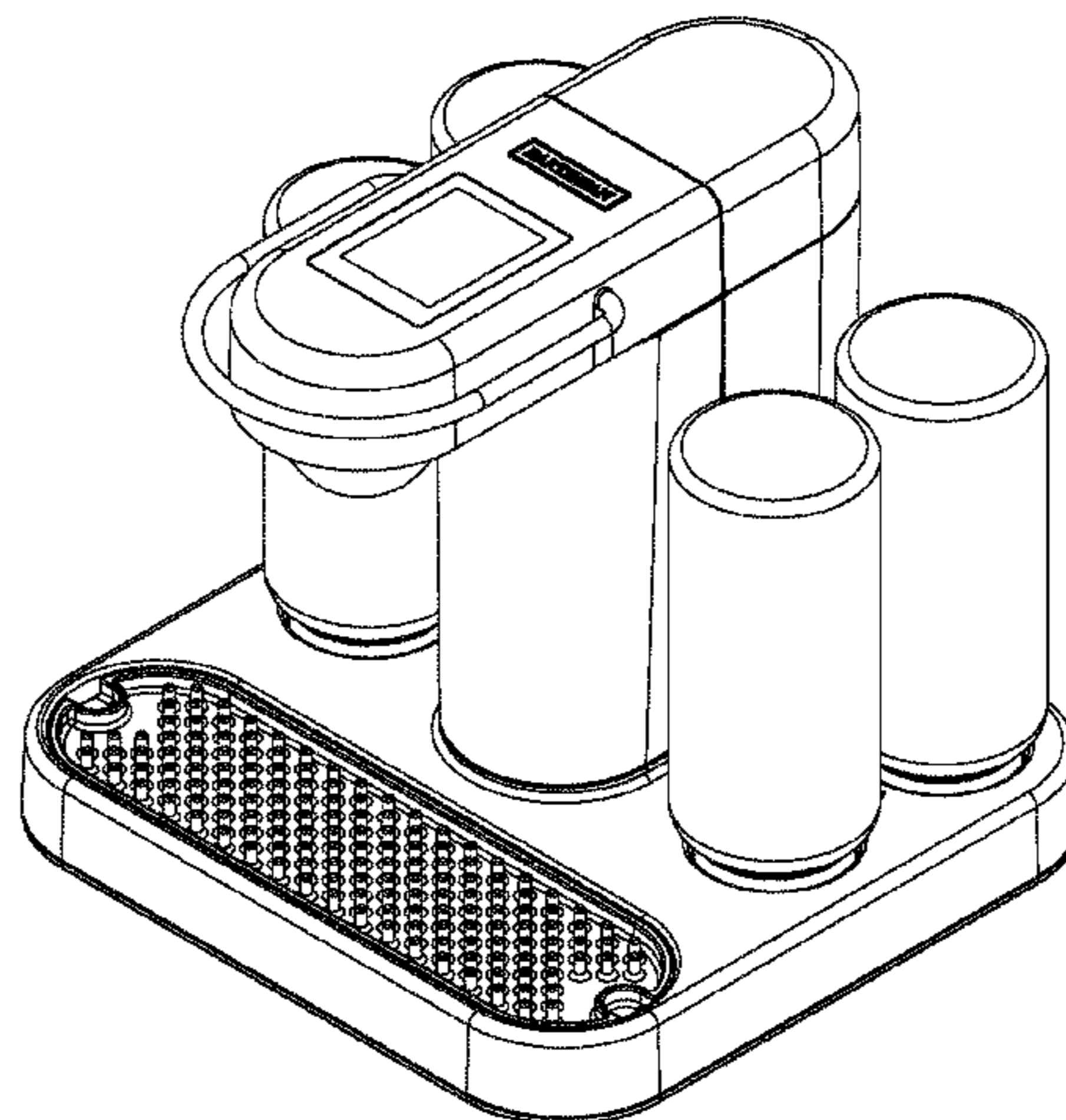
FIG. 1 is a top front perspective view of a beverage machine showing our new design;  
FIG. 2 is a front view thereof;  
FIG. 3 is a top plan view thereof;  
FIG. 4 is a bottom plan view thereof;  
FIG. 5 is a left side view thereof;  
FIG. 6 is a right side view thereof;  
FIG. 7 is a rear view thereof;  
FIG. 8 is a bottom front perspective view thereof;  
FIG. 9 is a top front perspective view thereof;  
FIG. 10 is a front view in open position thereof;  
FIG. 11 is a rear view in open position thereof;  
FIG. 12 is a left side view in open position thereof;  
FIG. 13 is a right side view in open position thereof; and,  
FIG. 14 is a bottom front perspective view in open position thereof.

(56) **References Cited**

U.S. PATENT DOCUMENTS

D552,402 S \* 10/2007 Schwamkrug ..... D7/309  
D560,950 S \* 2/2008 Schwamkrug ..... D7/309  
7,565,860 B1 \* 7/2009 Liu ..... A47J 31/10  
99/291

**1 Claim, 14 Drawing Sheets**



(56)

**References Cited**

U.S. PATENT DOCUMENTS

D696,888	S *	1/2014	Cahen .....	D7/309
D718,972	S *	12/2014	Jorgensen .....	D7/309
D724,369	S *	3/2015	Cahen .....	D7/309
D726,482	S *	4/2015	Cahen .....	D7/309
D728,481	S *	5/2015	Schulte .....	D13/139.4
D728,986	S *	5/2015	De'Longhi .....	D7/309
D728,987	S *	5/2015	Cahen .....	D7/309
D728,988	S *	5/2015	Warburton .....	D7/306
D731,223	S *	6/2015	Hatherell .....	D7/306
D742,679	S *	11/2015	Bartoli .....	D7/309
D761,051	S *	7/2016	Bartoli .....	D7/309
D771,993	S *	11/2016	Cai .....	D7/309
2010/0288132	A1 *	11/2010	Gavillet .....	A47J 31/3628 99/295
2014/0026761	A1	1/2014	Bartoli et al.	
2015/0166258	A1	6/2015	Gruder	
2016/0255990	A1 *	9/2016	Bartoli .....	A47J 31/0668

FOREIGN PATENT DOCUMENTS

CA	2895646	A1	7/2014
CA	2894436	A1	12/2015

OTHER PUBLICATIONS

Written Opinion of the International Searching Authority dated Jun. 15, 2017 for PCT International Application No. PCT/IB2017/051205.

\* cited by examiner

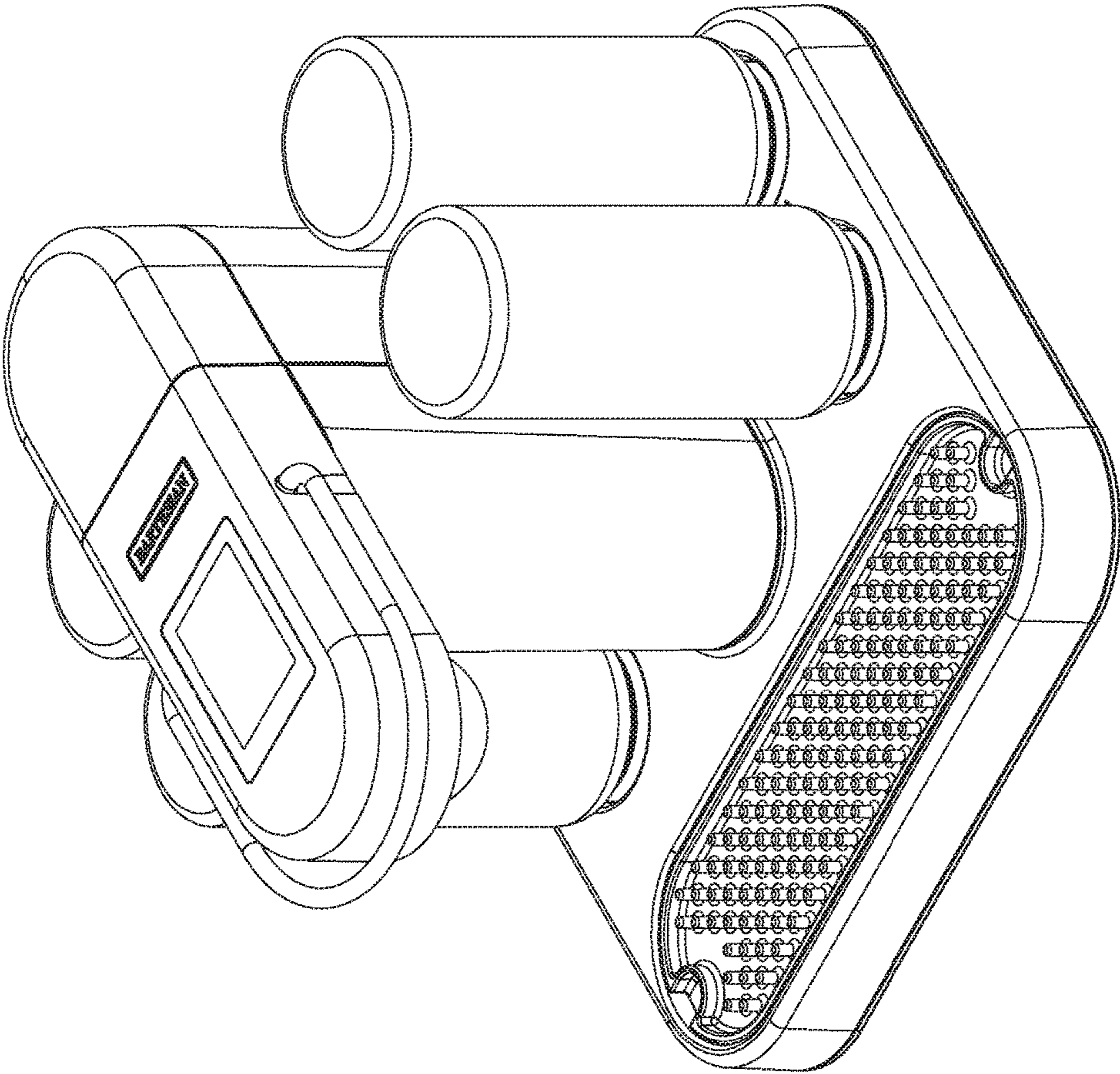


FIG. 1

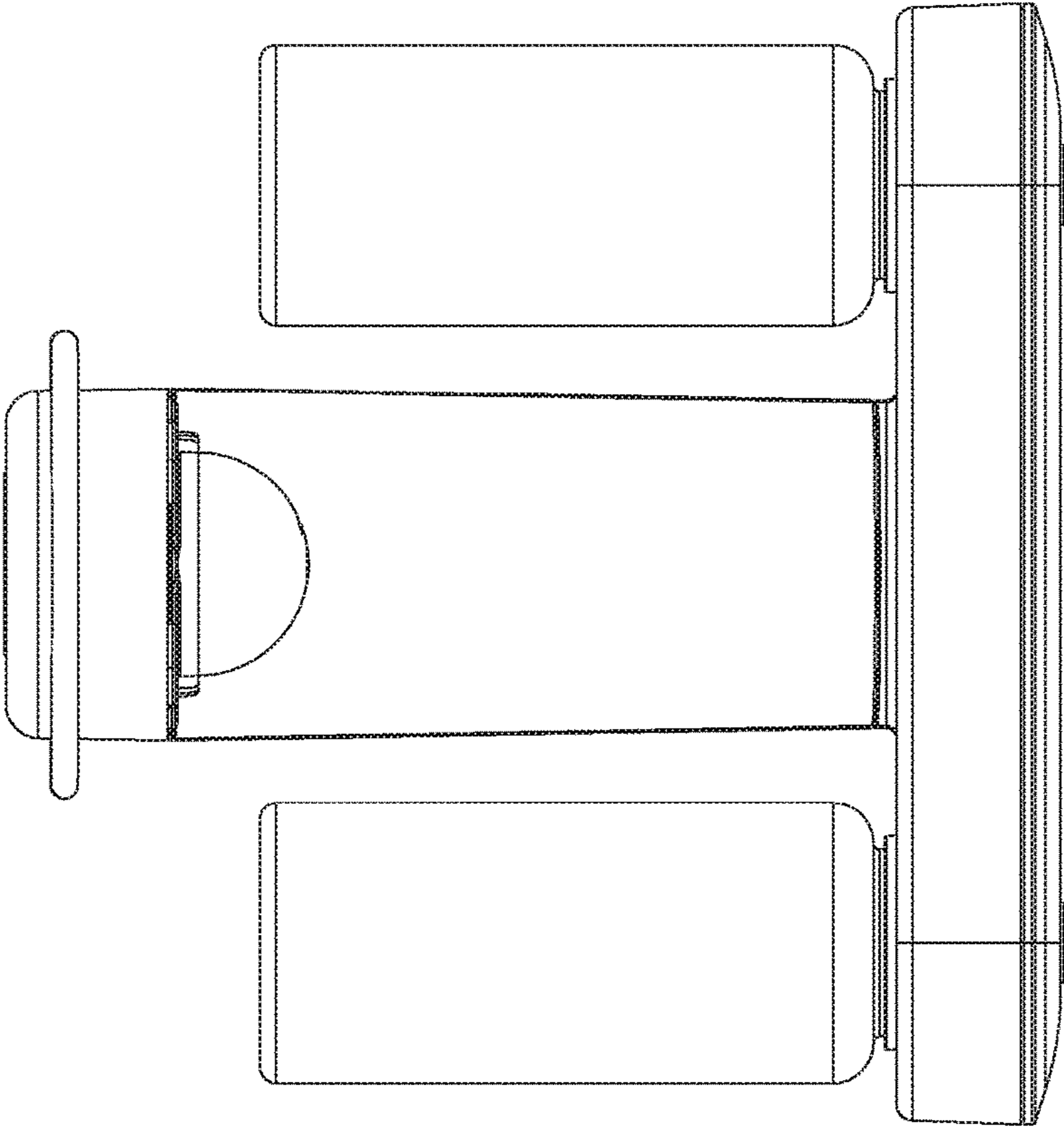


FIG. 2

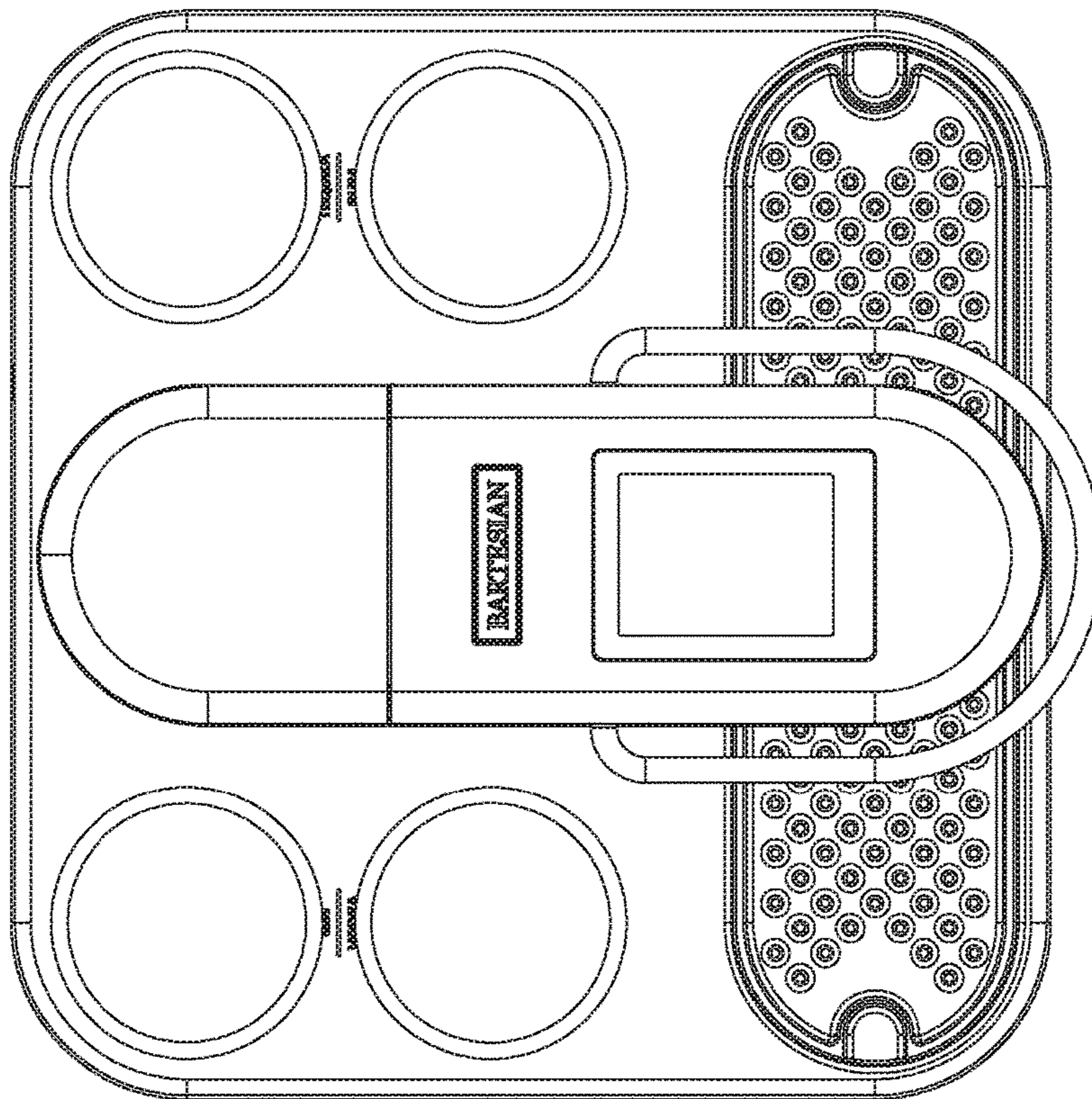


FIG. 3

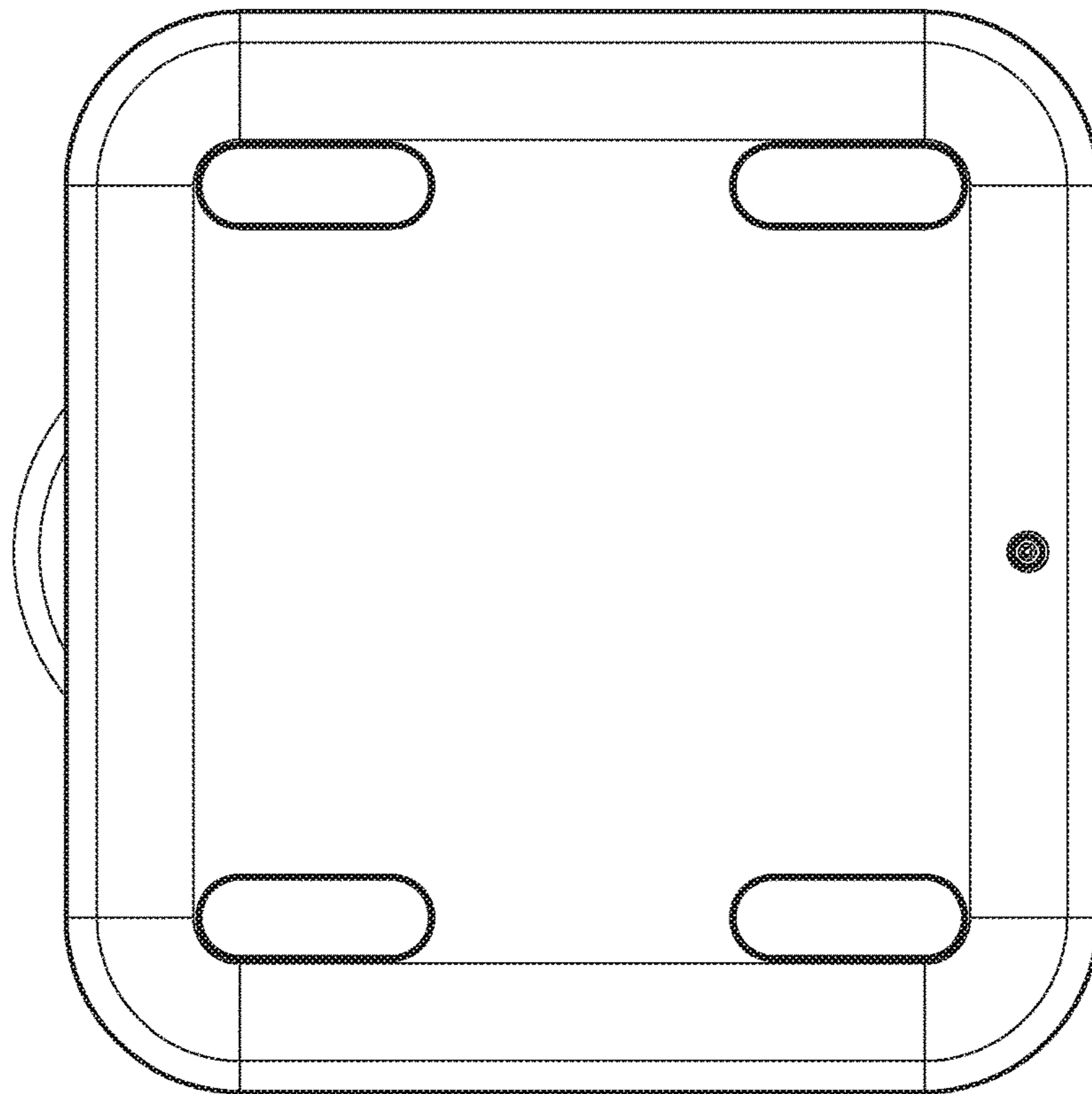


FIG. 4

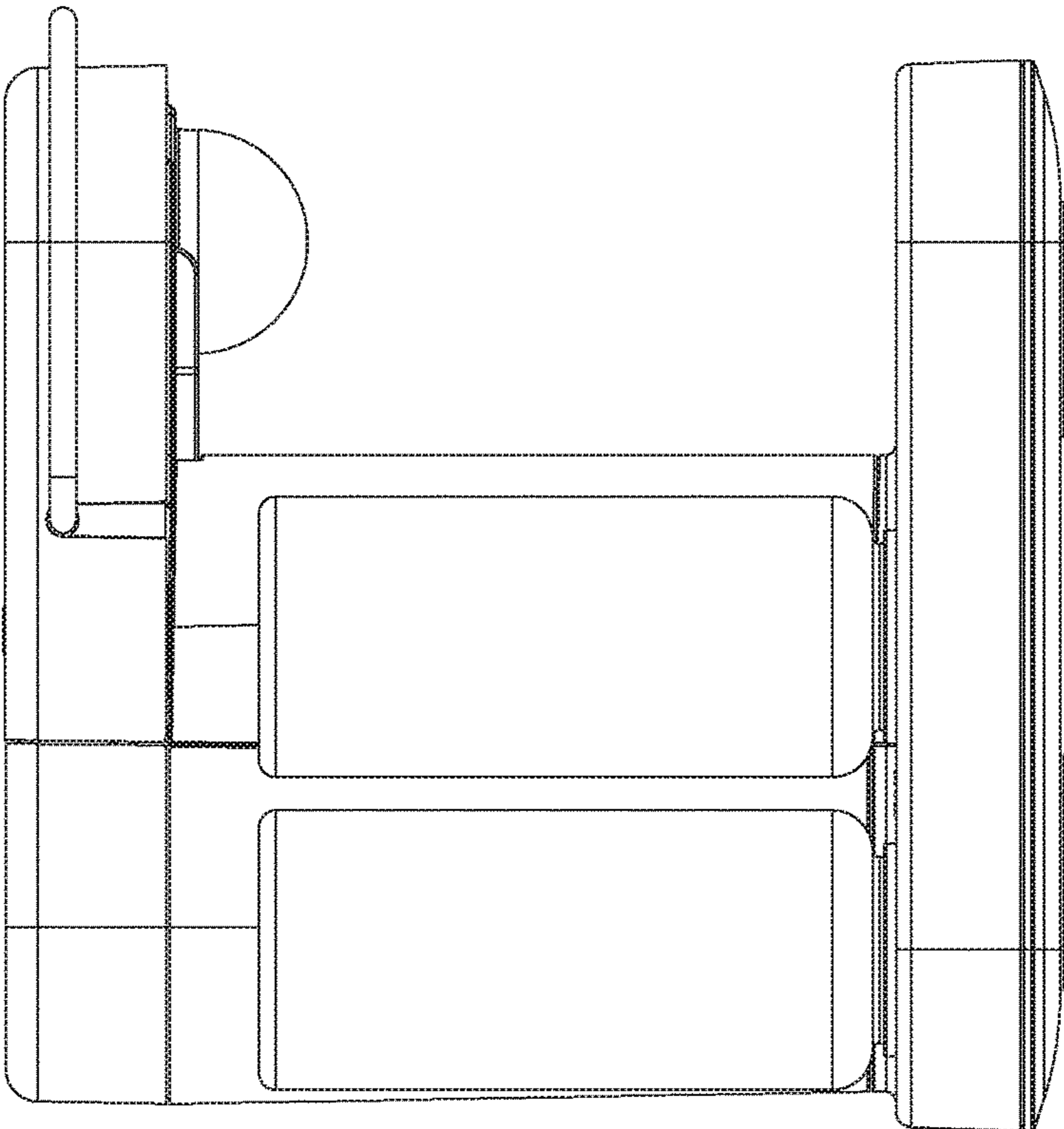


FIG. 5

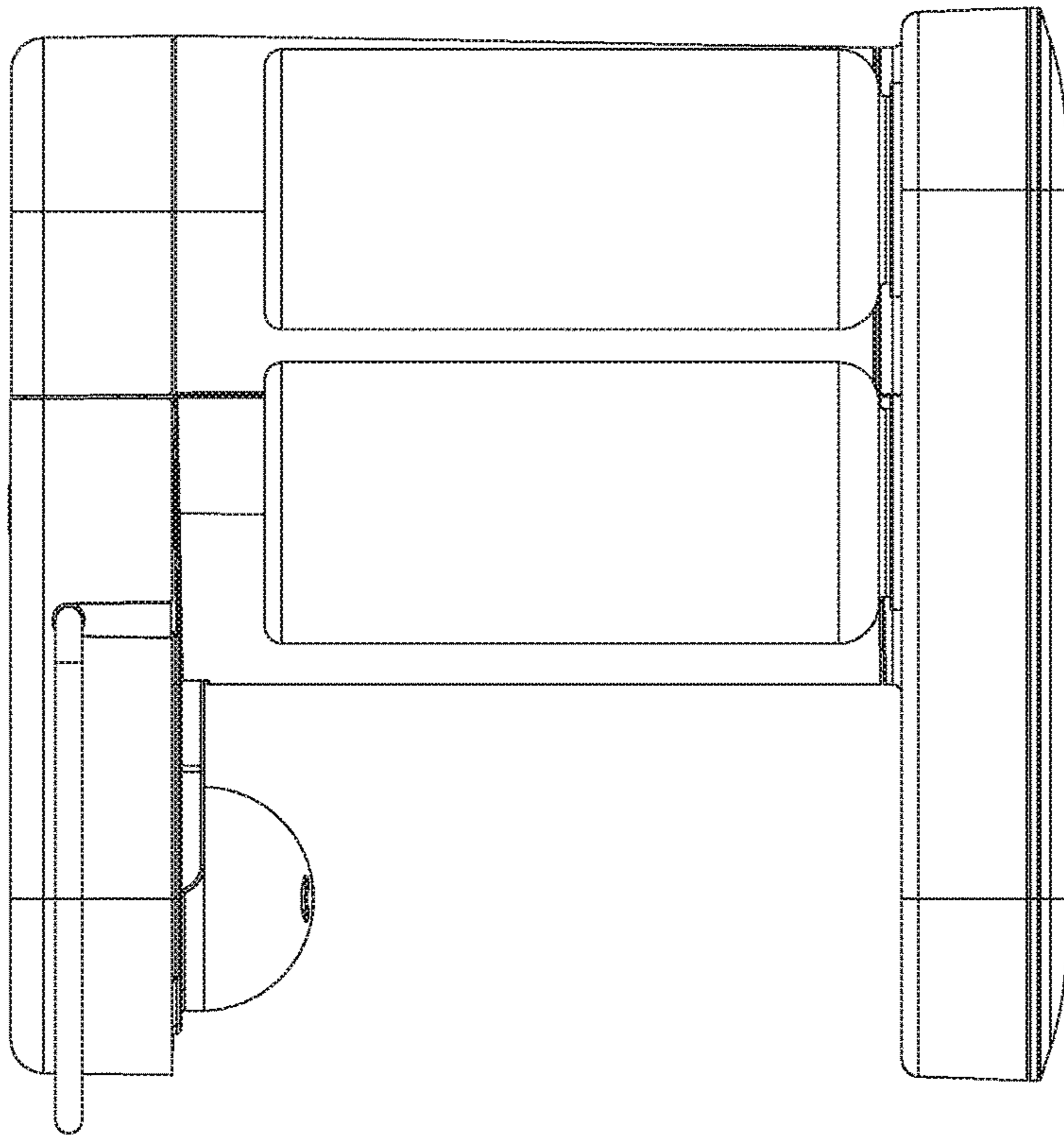


FIG. 6



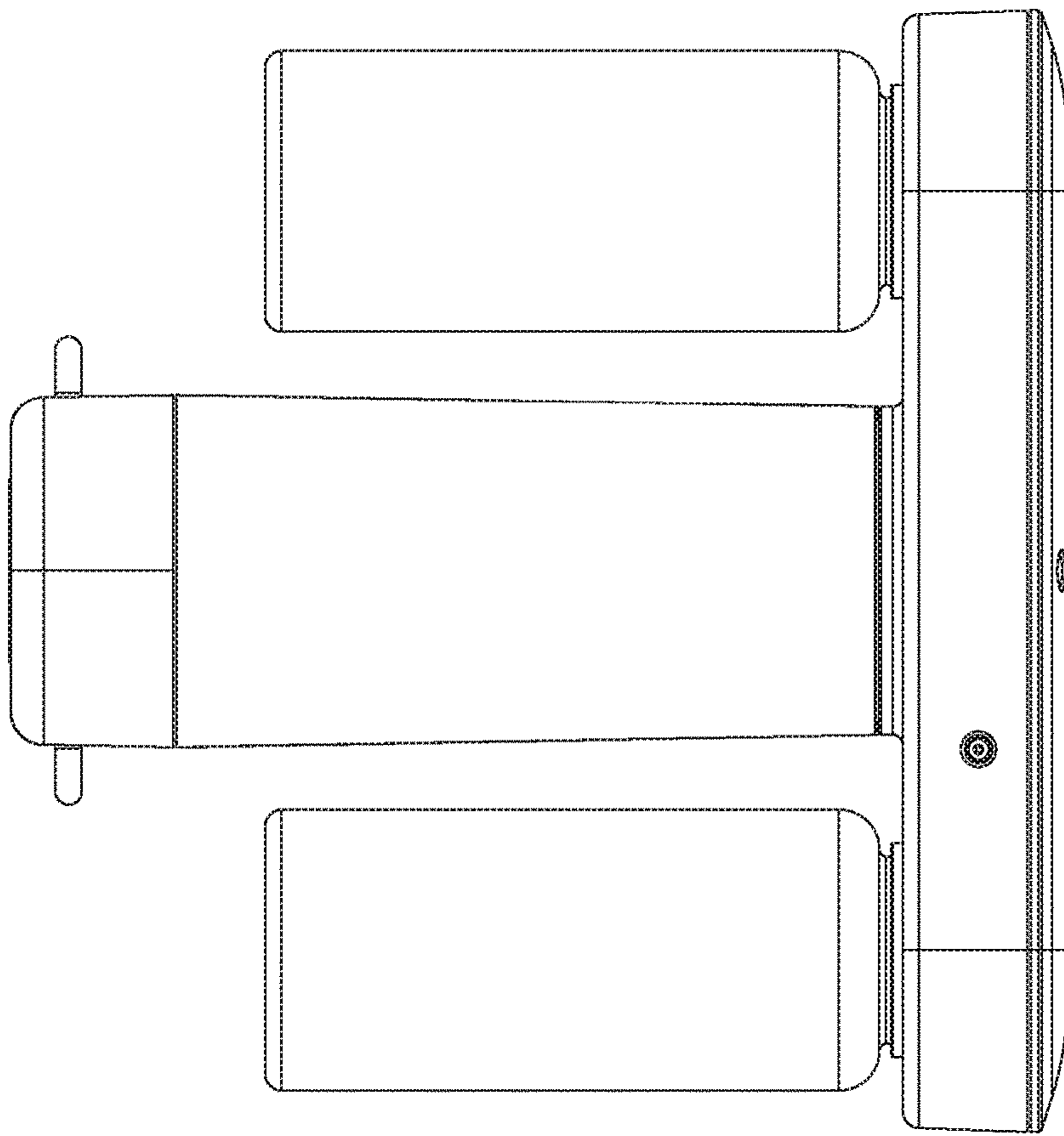


FIG. 7

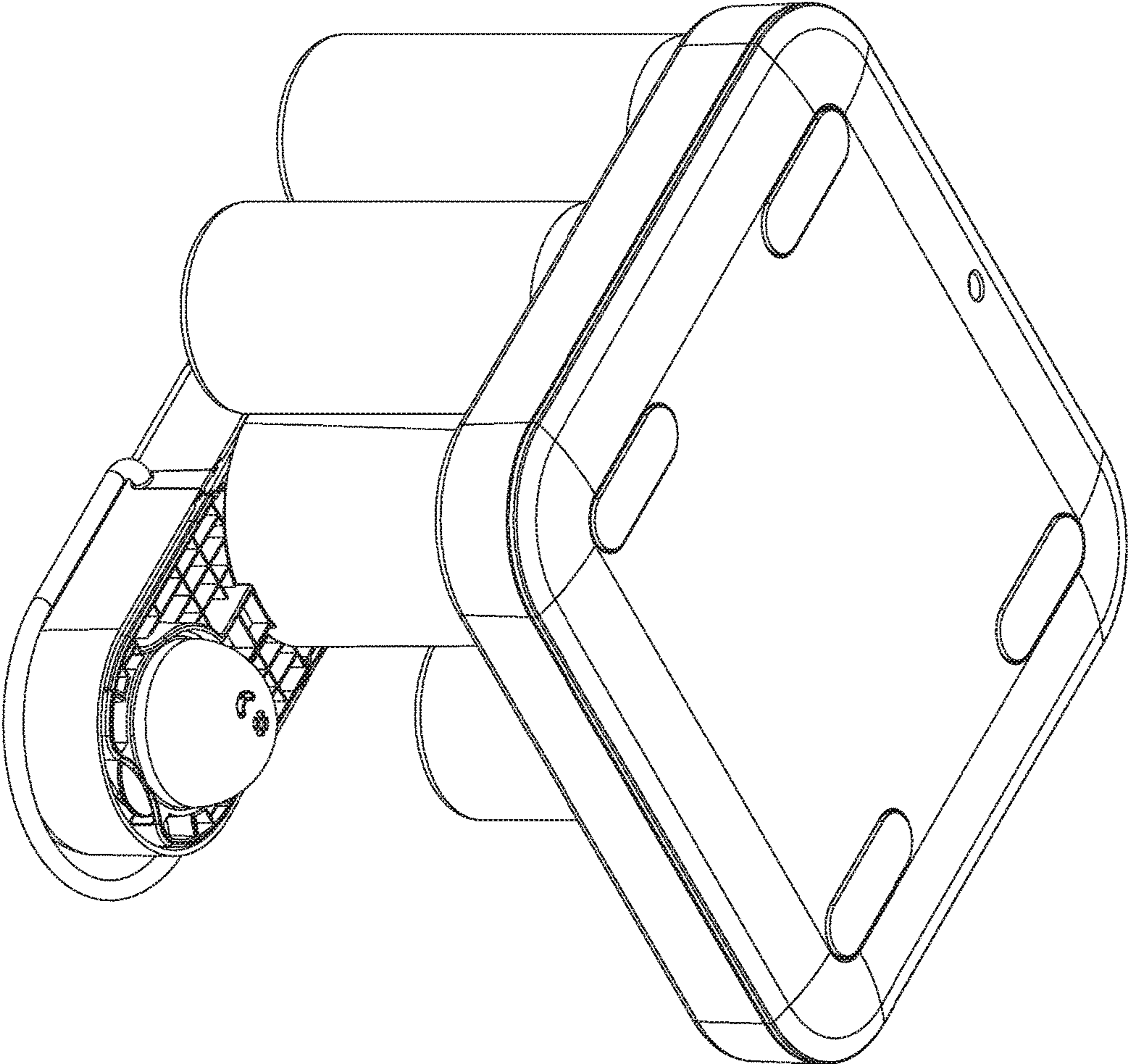


FIG. 8

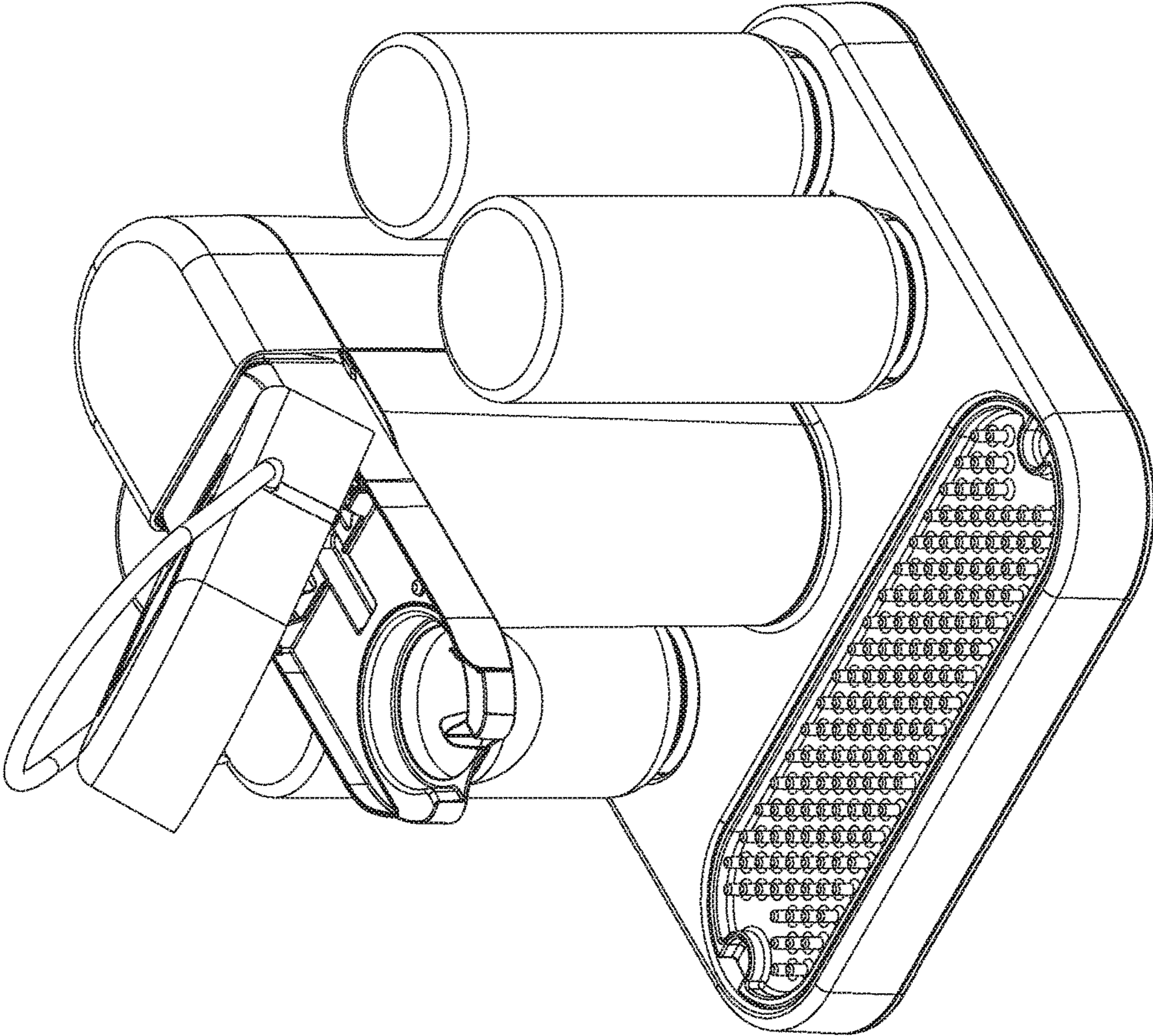


FIG. 9

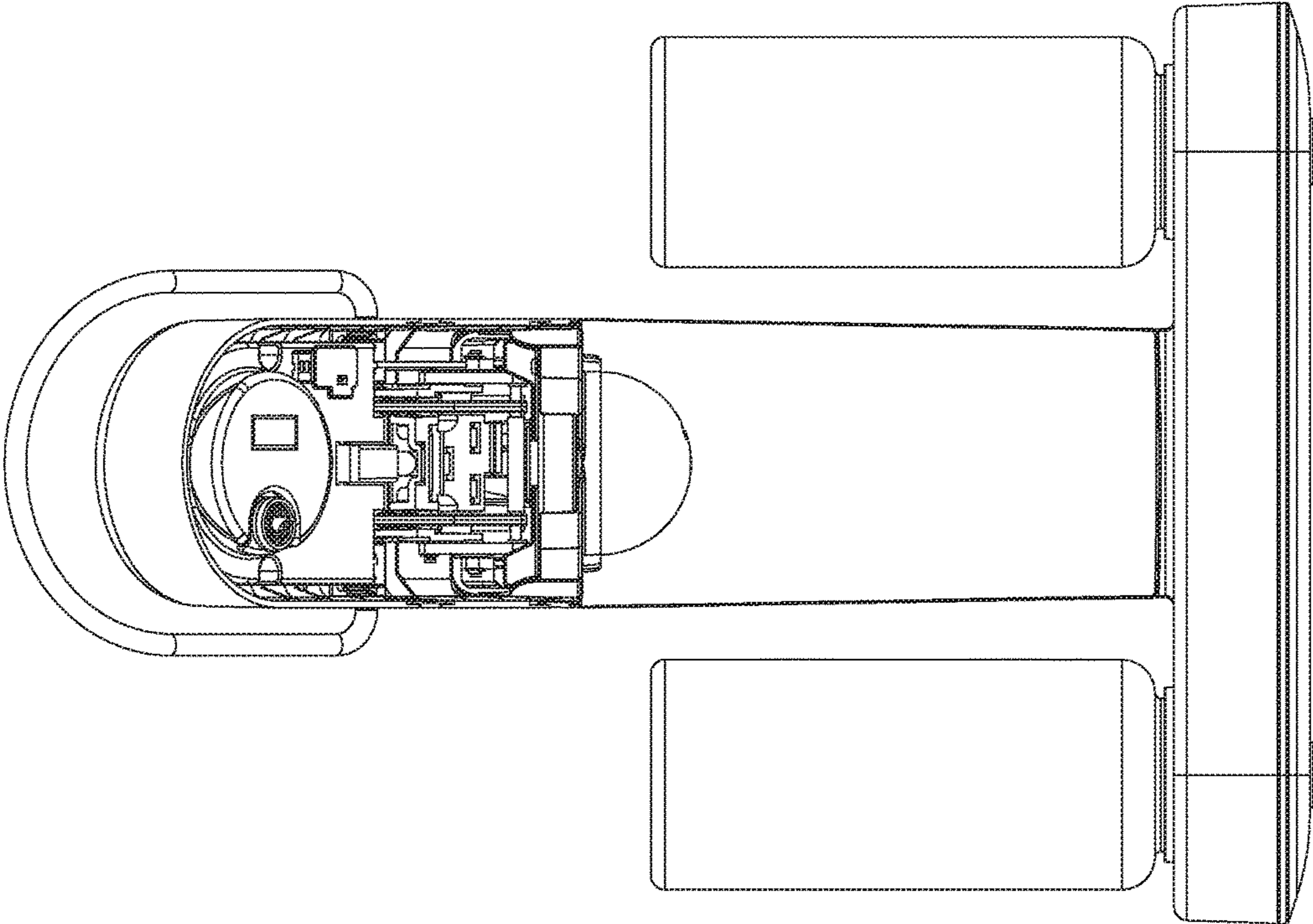


FIG. 10

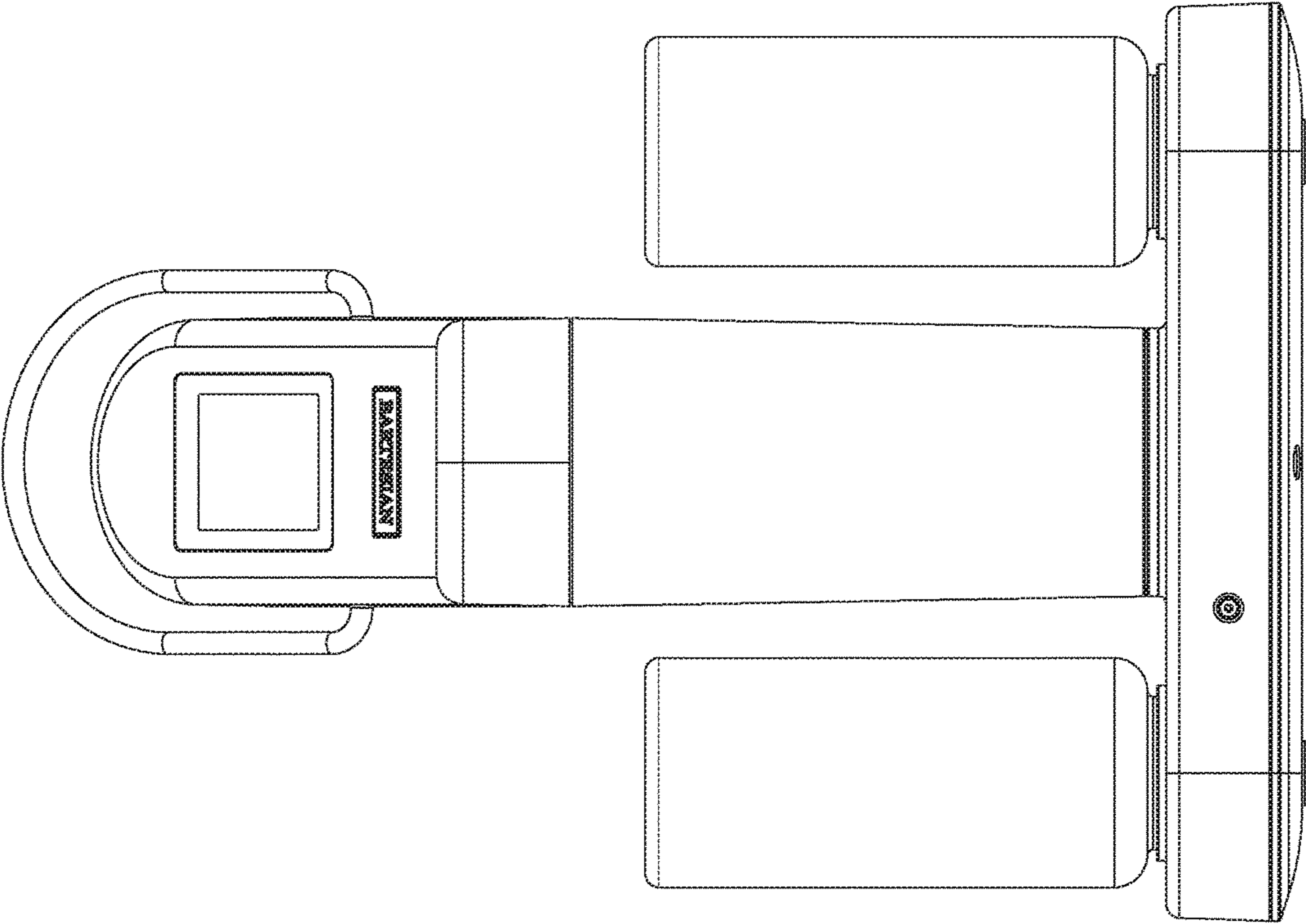


FIG. 11

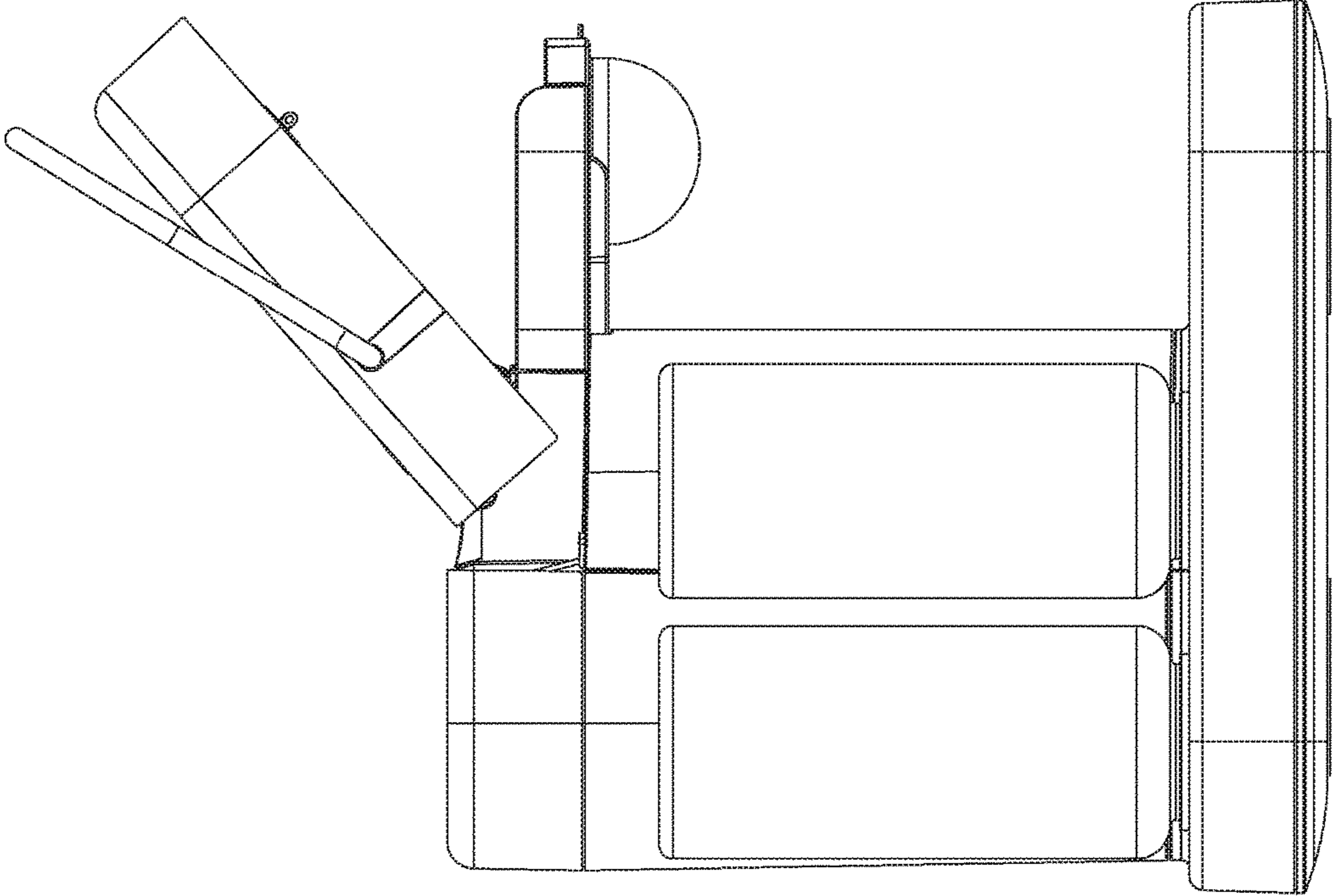


FIG. 12

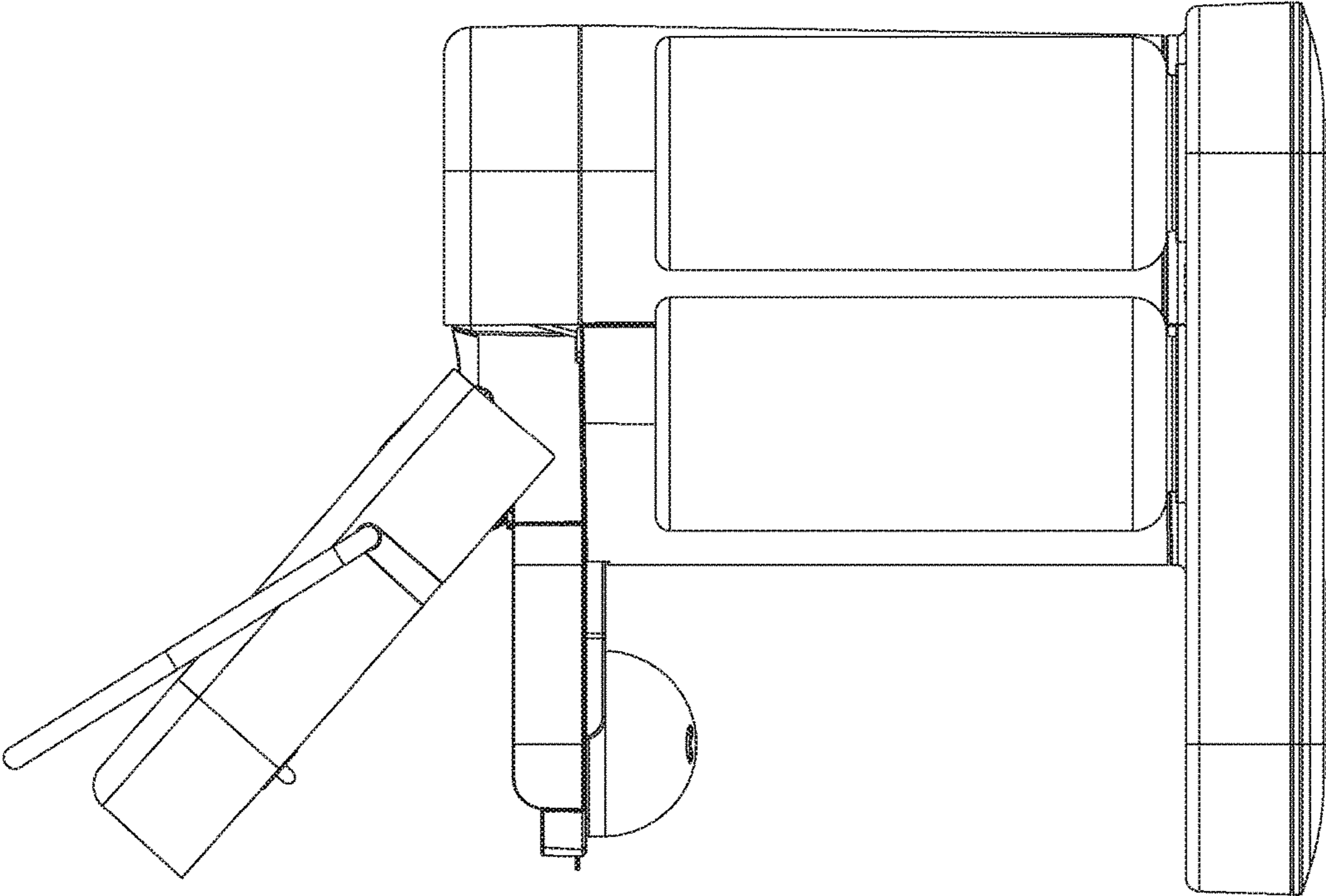


FIG. 13

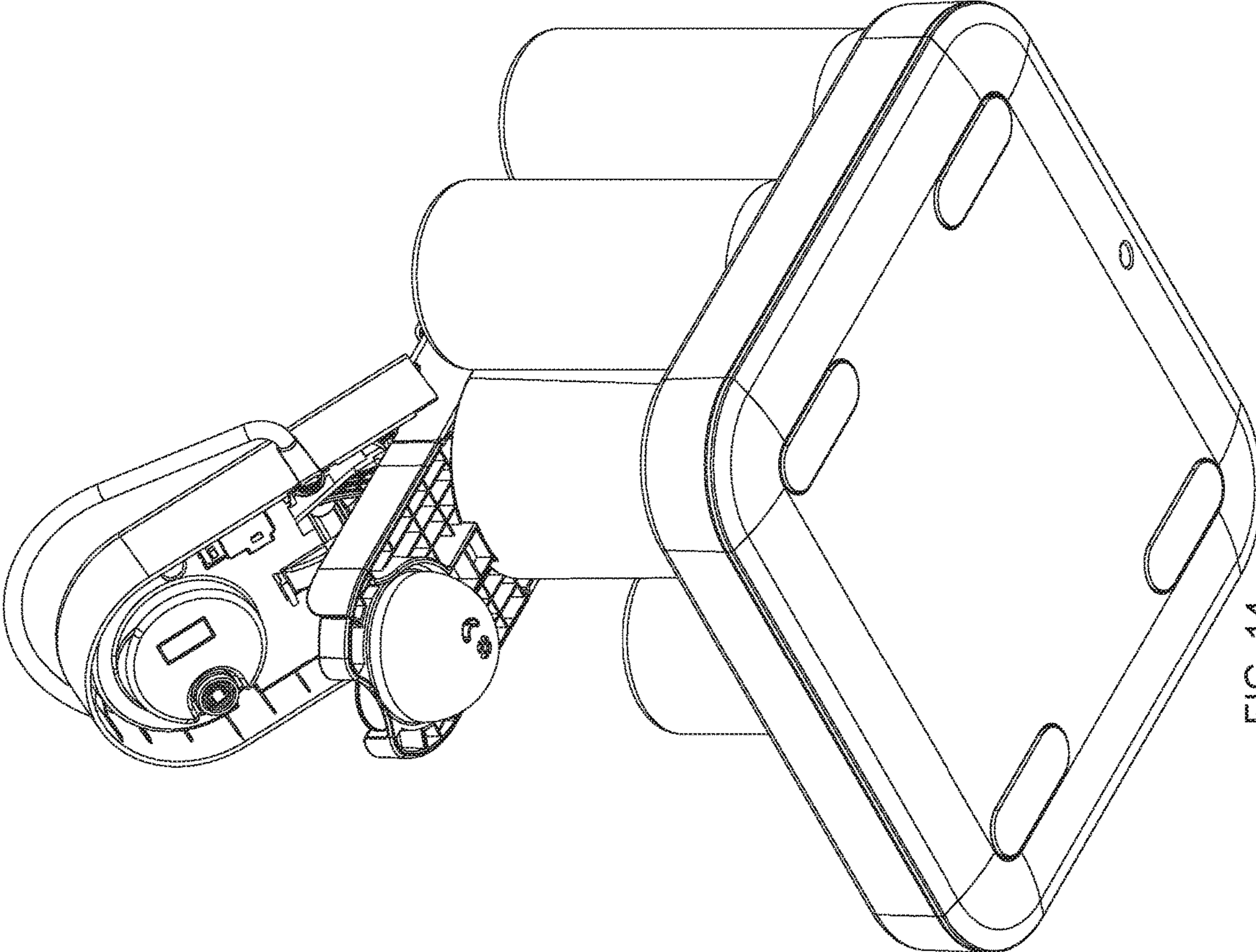


FIG. 14