



US00D812951S

(12) **United States Design Patent** (10) **Patent No.:** **US D812,951 S**
Hecht et al. (45) **Date of Patent:** **** Mar. 20, 2018**

(54) **BEVERAGE DISPENSING TOWER**

(71) Applicant: **Automatic Bar Controls, Inc.**,
Vacaville, CA (US)

(72) Inventors: **Thomas R. Hecht**, Winters, CA (US);
Silas Anthony Veloz, Sacramento, CA (US)

(73) Assignee: **Automatic Bar Controls, Inc.**,
Vacaville, CA (US)

(**) Term: **15 Years**

(21) Appl. No.: **29/554,651**

(22) Filed: **Feb. 12, 2016**

(51) **LOC (11) Cl.** **07-01**

(52) **U.S. Cl.**
USPC **D7/306; D7/397**

(58) **Field of Classification Search**
USPC D7/305-311, 313, 398, 397; D15/82;
222/129.1, 146.6; 99/295
CPC A47J 31/44; A47J 31/4403; A47J 31/46;
A47J 31/4482; A47J 31/369; A47J
31/407; A47J 31/10; A47J 31/467; A47J
31/0615; B67D 1/36; B67D 2210/0065;
B67D 1/0864; B67D 3/0061
See application file for complete search history.

(56) **References Cited**

U.S. PATENT DOCUMENTS

D202,688 S * 11/1965 Cornelius et al. D7/311
D256,125 S * 7/1980 Erickson D7/398

D259,725 S * 6/1981 Wasserstrom D7/308
D268,977 S * 5/1983 Marotta D7/309
D287,089 S * 12/1986 Cesaroni D7/308
D340,616 S * 10/1993 Williams D7/311
D369,937 S * 5/1996 Guadalupi D7/300
D643,682 S * 8/2011 Asthon D7/397
D646,105 S * 10/2011 Deo D7/306
D655,122 S * 3/2012 Bingul D7/306
D682,597 S * 5/2013 Bingul D7/306
D691,204 S * 10/2013 d'Amore D20/1
D704,492 S * 5/2014 Broen D7/306
D727,673 S * 4/2015 Broen D7/306

* cited by examiner

Primary Examiner — Marianne Pandozzi

(74) *Attorney, Agent, or Firm* — Kilpatrick Townsend &
Stockton LLP

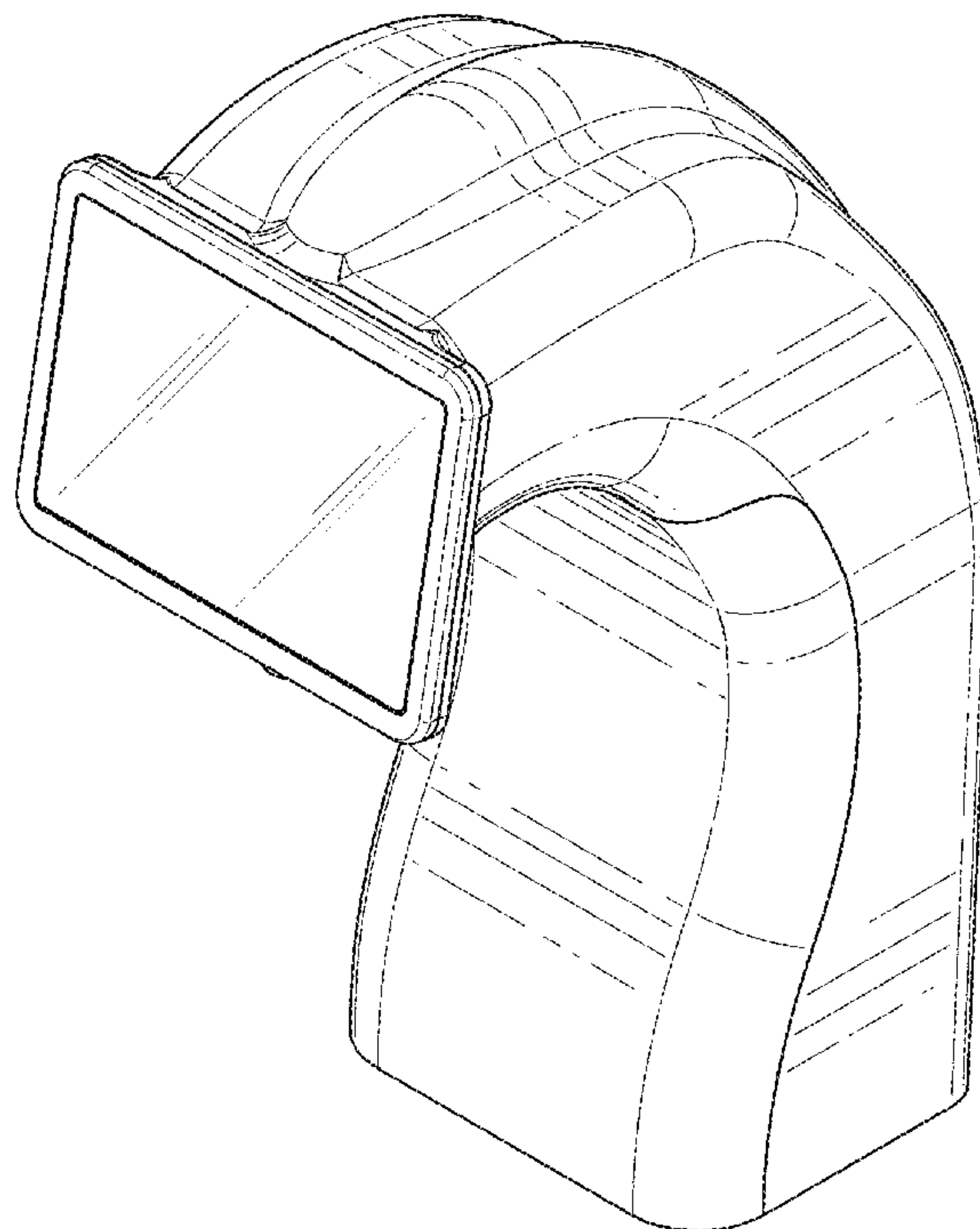
(57) **CLAIM**

The ornamental design for a beverage dispensing tower, as shown and described.

DESCRIPTION

FIG. 1 is a top, front, right side perspective view of a beverage dispensing tower, showing our new design;
FIG. 2 is a front perspective view thereof;
FIG. 3 is a rear perspective view thereof;
FIG. 4 is a front elevational view thereof;
FIG. 5 is a rear elevational view thereof;
FIG. 6 is a right side elevational view, the left side being a mirror image thereof; and,
FIG. 7 is a top plan view thereof.

1 Claim, 7 Drawing Sheets



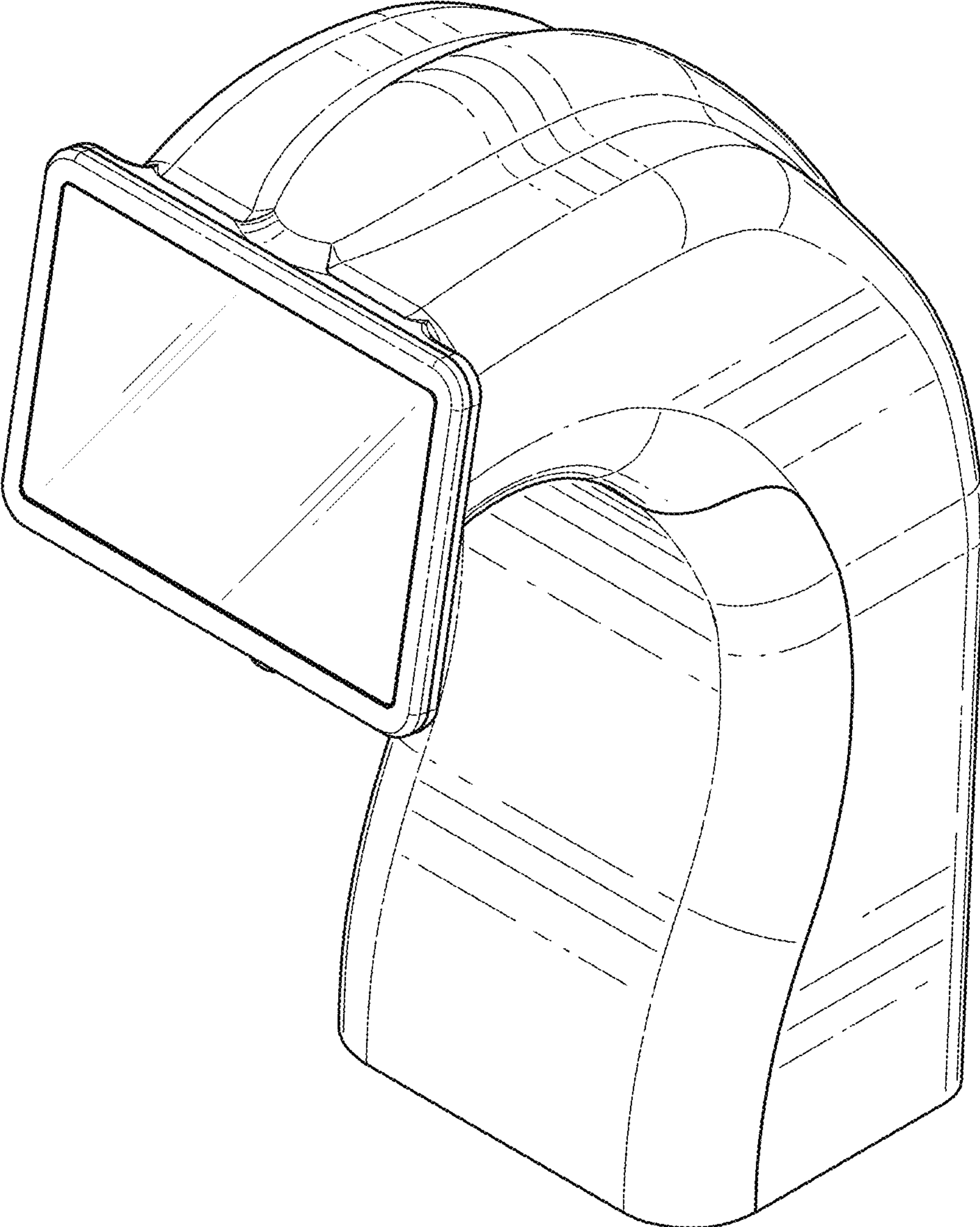


FIG. 1

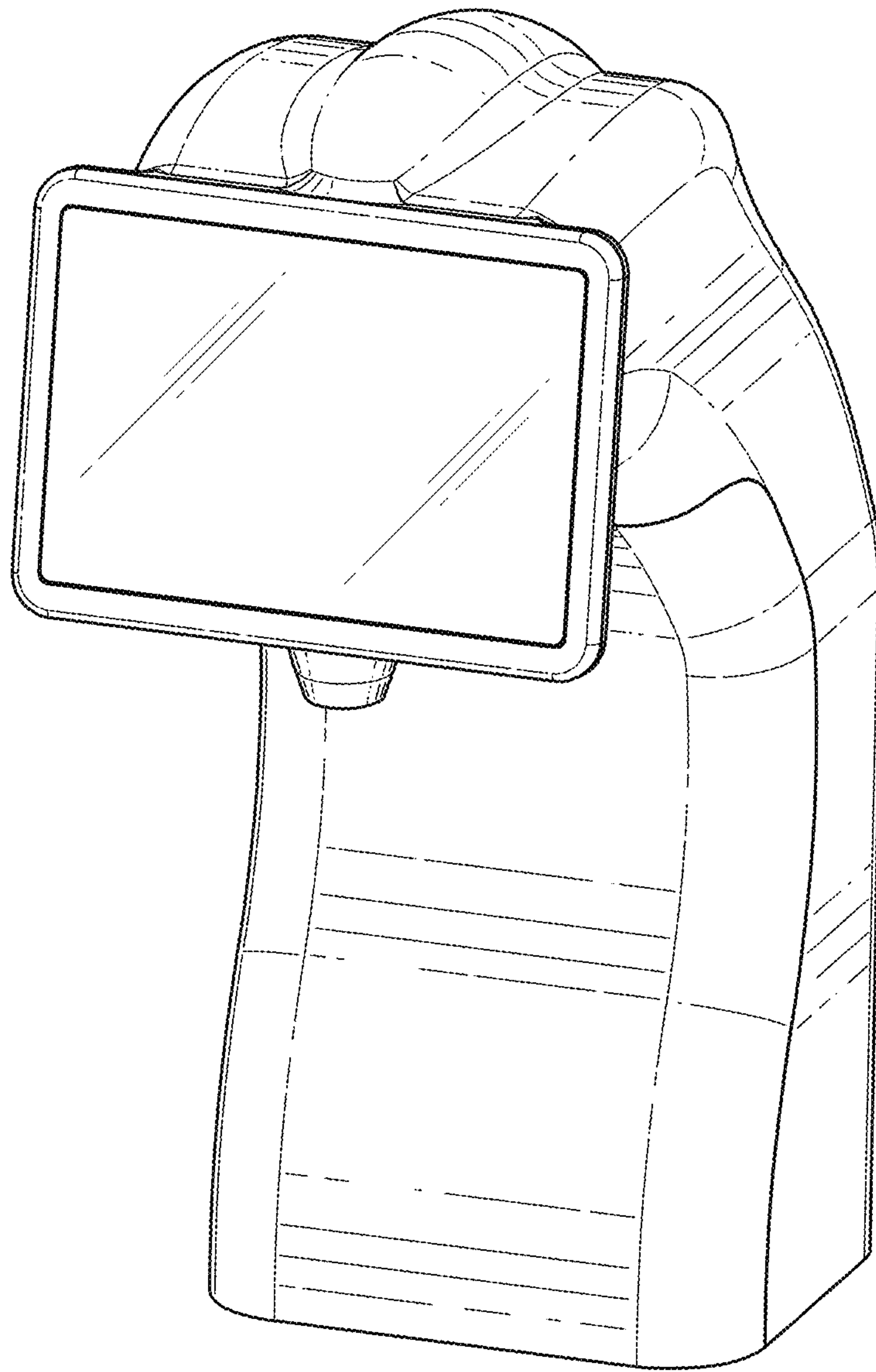


FIG. 2

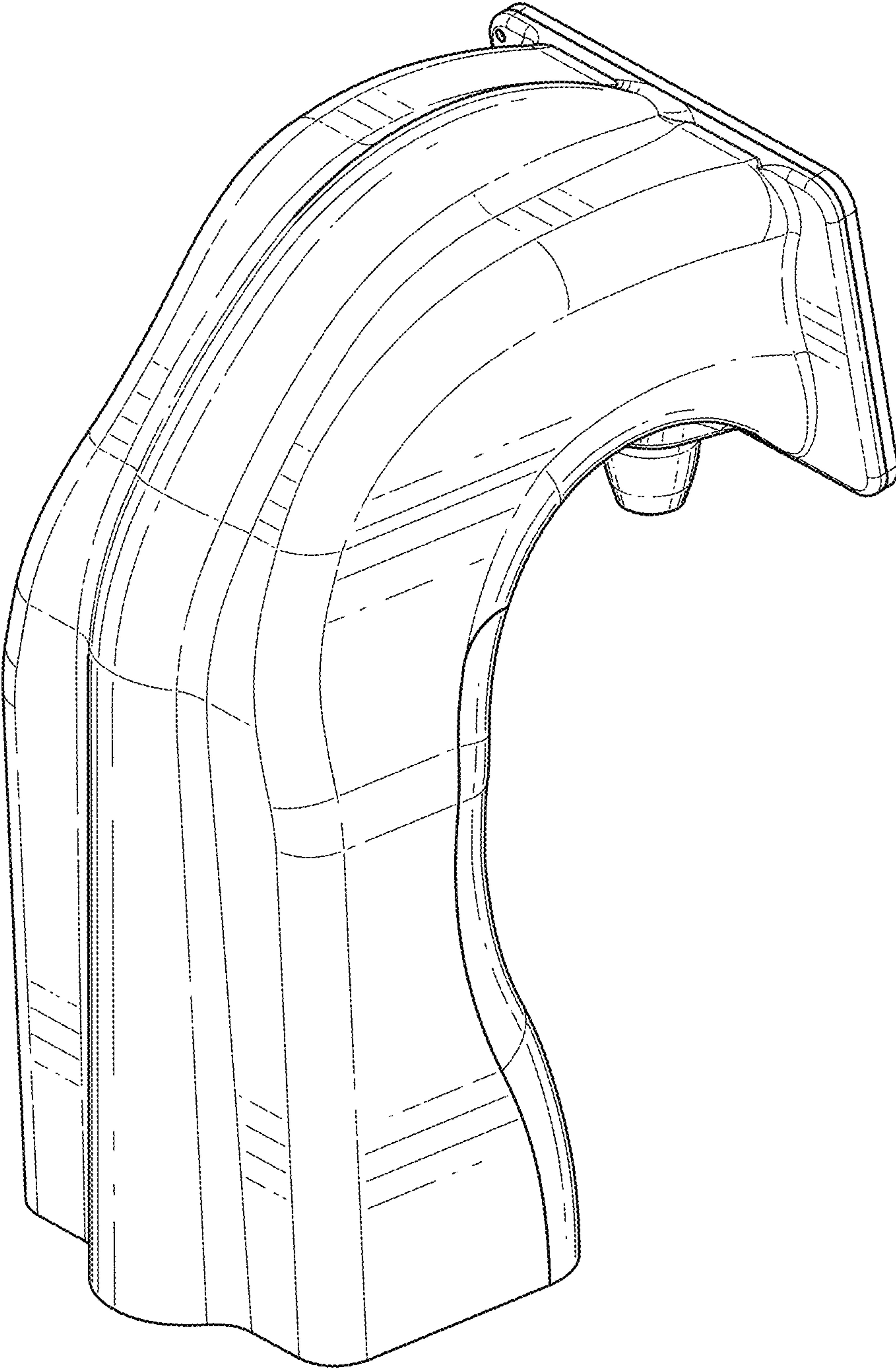


FIG. 3

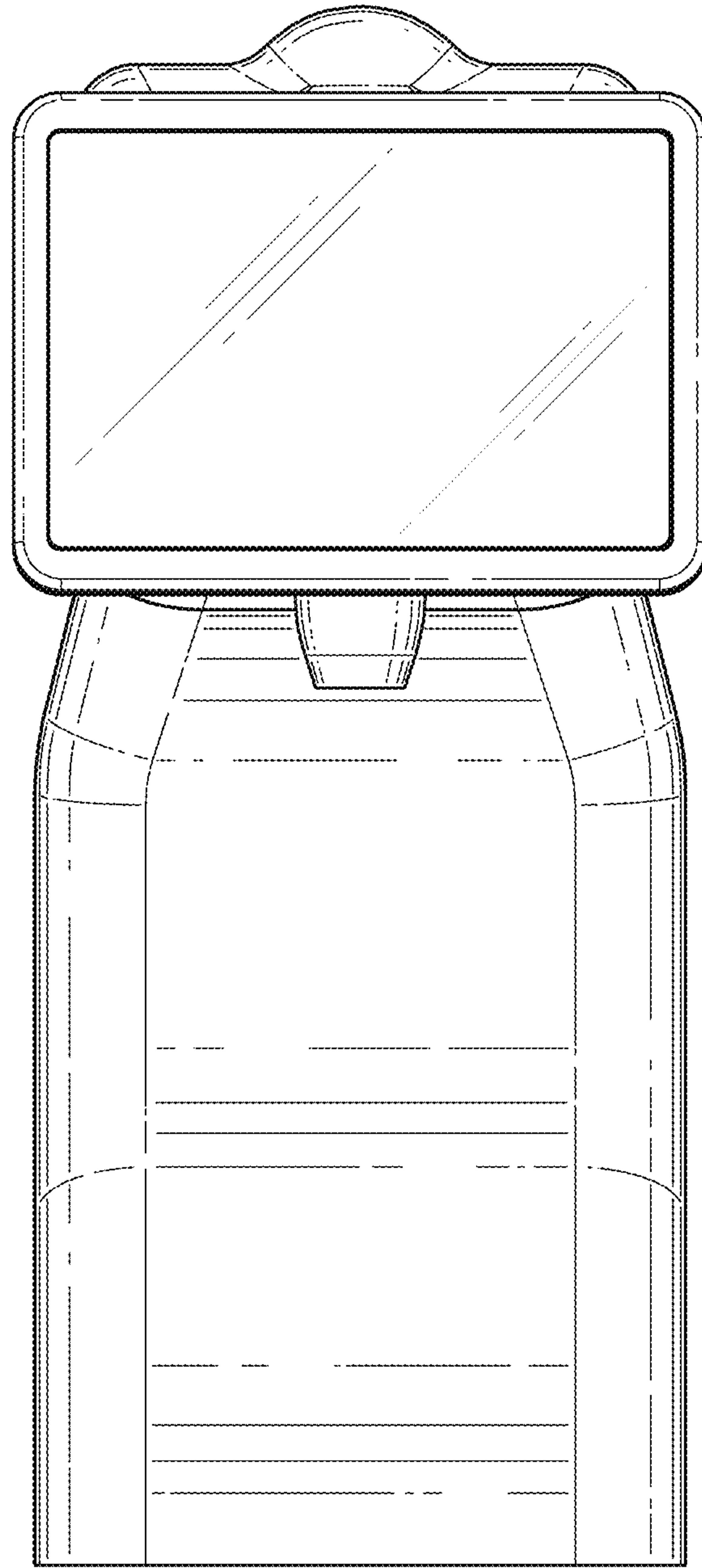


FIG. 4

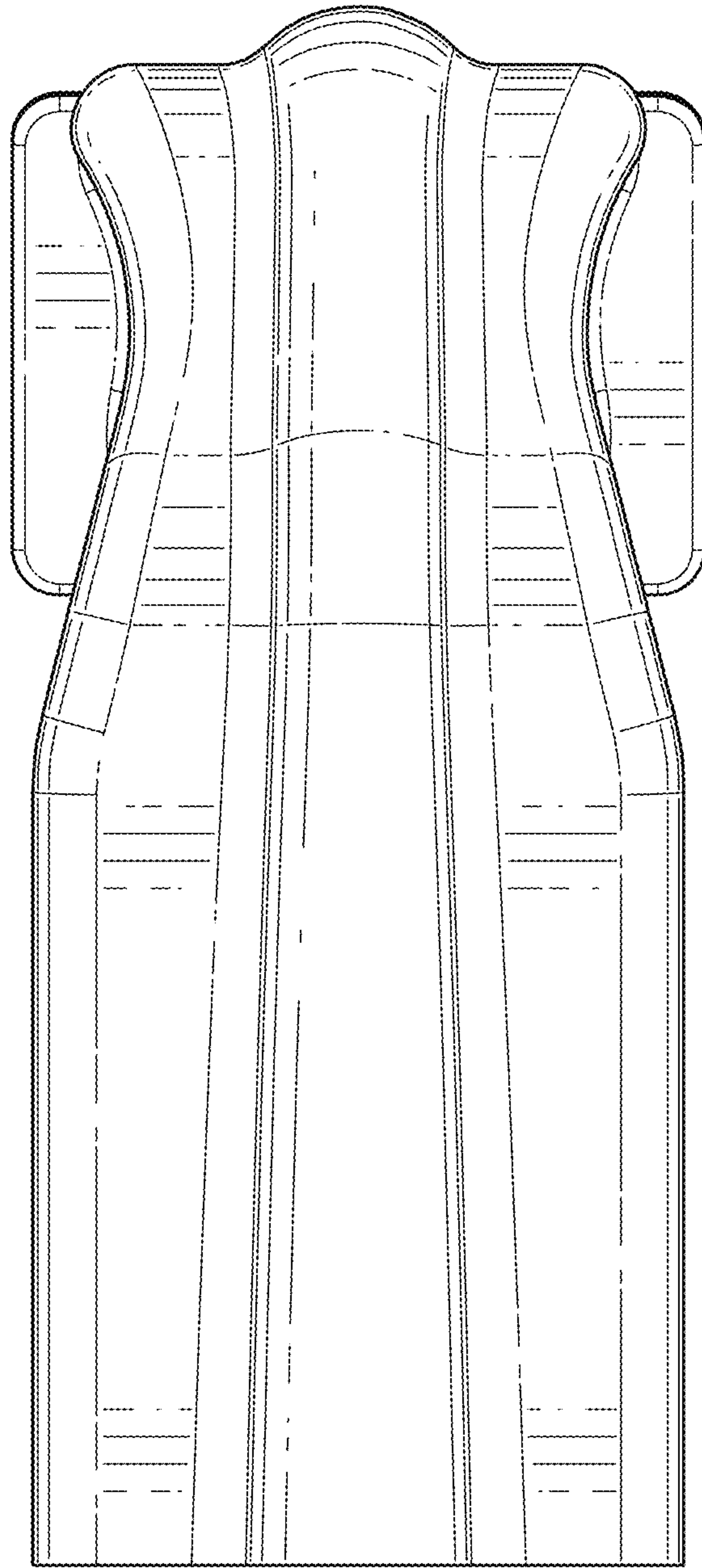


FIG. 5

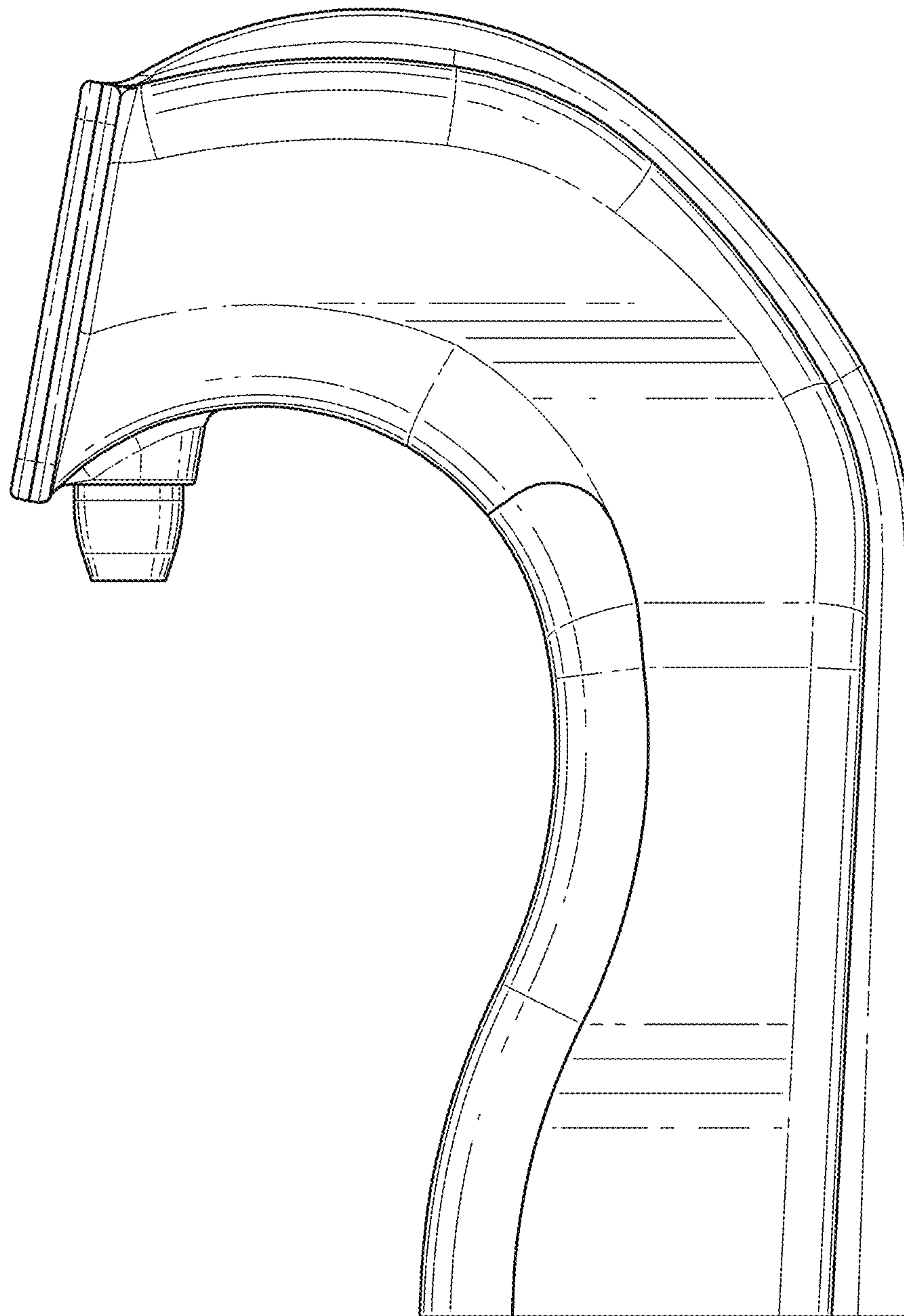


FIG. 6

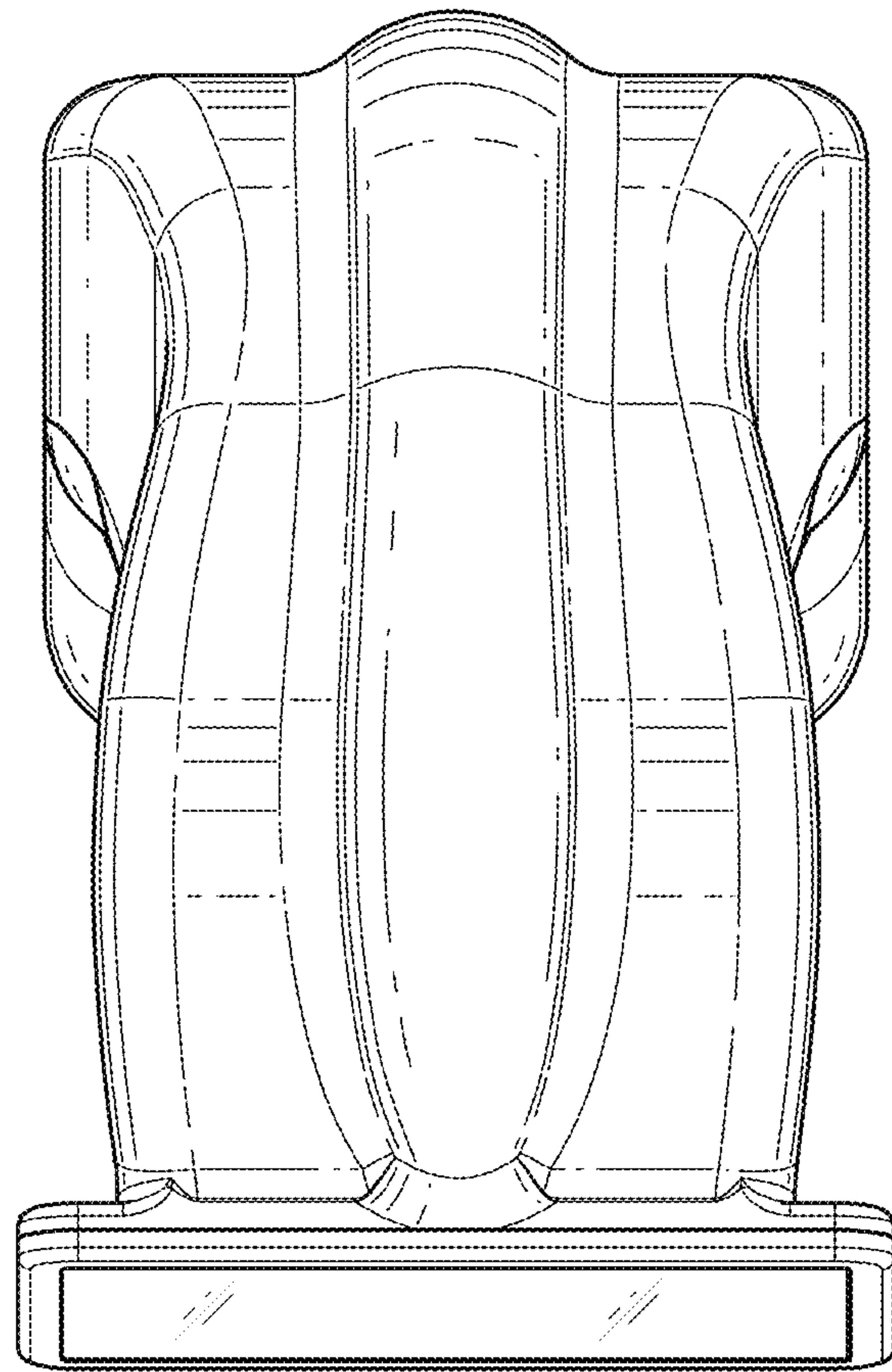


FIG. 7