



US00D812949S

(12) **United States Design Patent**  
**Woods**

(10) **Patent No.:** **US D812,949 S**  
(45) **Date of Patent:** **\*\* Mar. 20, 2018**

(54) **120 DEGREE FURNITURE SPINE UNIT**  
(71) Applicant: **Kimball International, Inc.**, Jasper, IN (US)  
(72) Inventor: **Donald Woods**, Celestine, IN (US)  
(73) Assignee: **Kimball International, Inc.**, Jasper, IN (US)  
(\*\*) Term: **15 Years**

6,824,220 B1 11/2004 Davison  
7,347,493 B2 3/2008 Mulmed  
D589,283 S 3/2009 Stangdell  
D624,328 S 9/2010 Grandin et al.  
8,061,864 B2 11/2011 Metcalf et al.  
8,075,054 B2 12/2011 Smith  
D657,155 S 4/2012 Grandin et al.  
8,283,812 B2 10/2012 Azancot et al.  
D675,453 S 2/2013 Blet et al.  
8,421,407 B2 4/2013 Johnson  
D688,475 S 8/2013 Blet et al.  
8,528,972 B2 9/2013 Johnson  
8,536,737 B2 9/2013 Azancot et al.  
8,624,750 B2 1/2014 Azancot et al.  
8,625,255 B2 1/2014 Linnane et al.  
D699,456 S 2/2014 Bosman

(Continued)

(21) Appl. No.: **29/588,186**  
(22) Filed: **Dec. 19, 2016**  
(51) **LOC (11) Cl.** ..... **06-01**  
(52) **U.S. Cl.**  
USPC ..... **D6/716.4; D6/357**  
(58) **Field of Classification Search**  
USPC ..... D6/329, 332, 334, 335, 336, 338, 342,  
D6/374, 643, 641, 642, 686, 691.4, 702,  
D6/713, 714, 716, 716.1, 716.4, 698, 381,  
D6/357, 378, 364, 337, 595, 601  
CPC ..... A47B 83/02; A47B 83/00; A47B 83/001;  
A47B 83/003; A47B 83/005; A47B  
87/00; A47C 13/00; A47C 13/005; A47C  
7/62; A47C 7/70; A47C 7/36; A47C 7/38;  
A47C 7/40  
See application file for complete search history.

**FOREIGN PATENT DOCUMENTS**

CN 202636171 1/2013  
GB 2497773 6/2013  
KR 20140120438 10/2014

*Primary Examiner* — Deanna L Pratt  
(74) *Attorney, Agent, or Firm* — Faegre Baker Daniels  
LLP

(57) **CLAIM**

The ornamental design for a 120 degree furniture spine unit, as shown and described.

**DESCRIPTION**

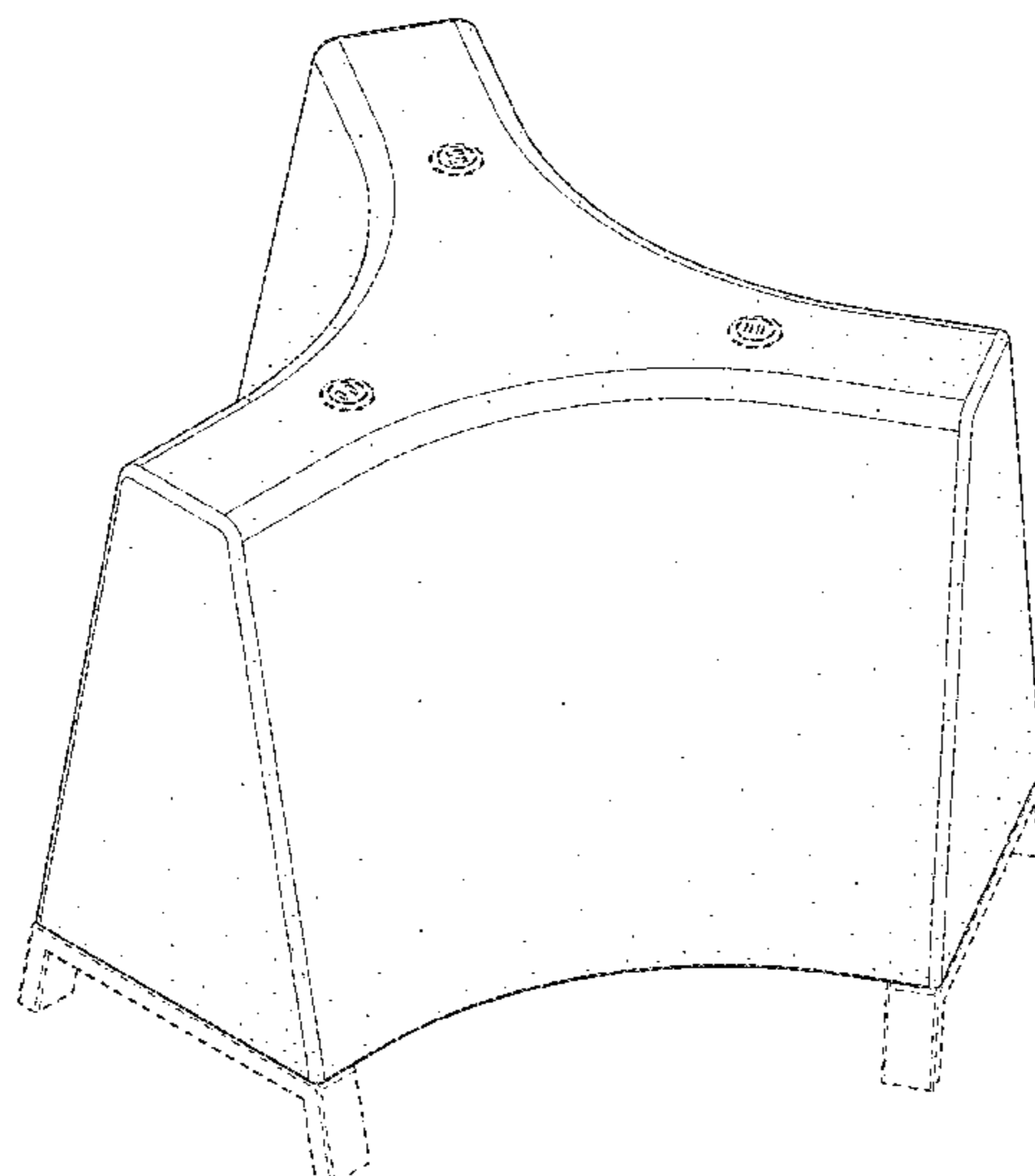
FIG. 1 is front perspective view of a 120 degree furniture spine unit in accordance with my new design;  
FIG. 2 is front view thereof;  
FIG. 3 is a rear view thereof;  
FIG. 4 is right side view thereof;  
FIG. 5 is a left side view thereof; and,  
FIG. 6 is a top view thereof.  
Features shown in broken lines form no part of the claimed design.

**1 Claim, 6 Drawing Sheets**

(56) **References Cited**

**U.S. PATENT DOCUMENTS**

D39,265 S \* 4/1908 Holtzola ..... 297/244  
D92,703 S 7/1934 Crego  
D150,247 S \* 7/1948 Nichols ..... 297/248  
4,131,314 A \* 12/1978 Knapp ..... A47C 15/00  
108/64  
4,374,354 A 2/1983 Petrovic et al.  
D302,907 S \* 8/1989 Otto ..... D6/337  
D309,682 S \* 8/1990 Fisher ..... D6/357  
D430,763 S 9/2000 Scheffer  
D457,359 S 5/2002 Chan



(56)

**References Cited**

U.S. PATENT DOCUMENTS

D699,457	S	2/2014	Bosman	
8,857,348	B2	10/2014	Gevaert et al.	
D739,156	S	9/2015	Webb	
D743,181	S	11/2015	Cardona	
D743,712	S	11/2015	Behar et al.	
D753,406	S *	4/2016	Webb .....	D6/378
D753,928	S *	4/2016	Webb .....	D6/378
2004/0026998	A1	2/2004	Henriott et al.	
2012/0119629	A1	5/2012	Nelson et al.	
2014/0054961	A1	2/2014	Metcalf et al.	
2014/0091638	A1	4/2014	Azancot et al.	
2014/0118892	A1	5/2014	Makwinski et al.	
2015/0091389	A1	4/2015	Byrne et al.	
2015/0091522	A1	4/2015	Byrne et al.	

\* cited by examiner

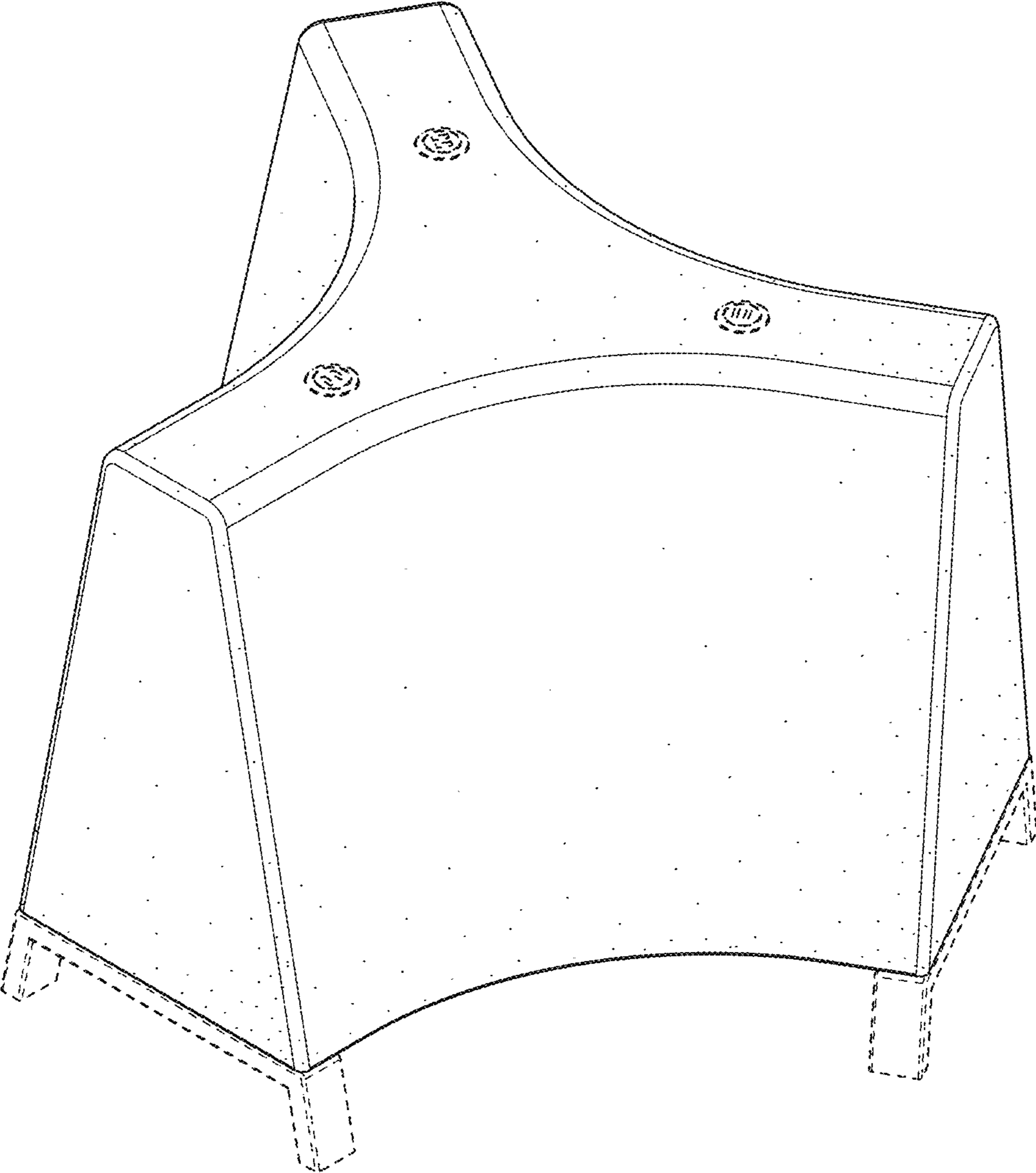


FIG. 1

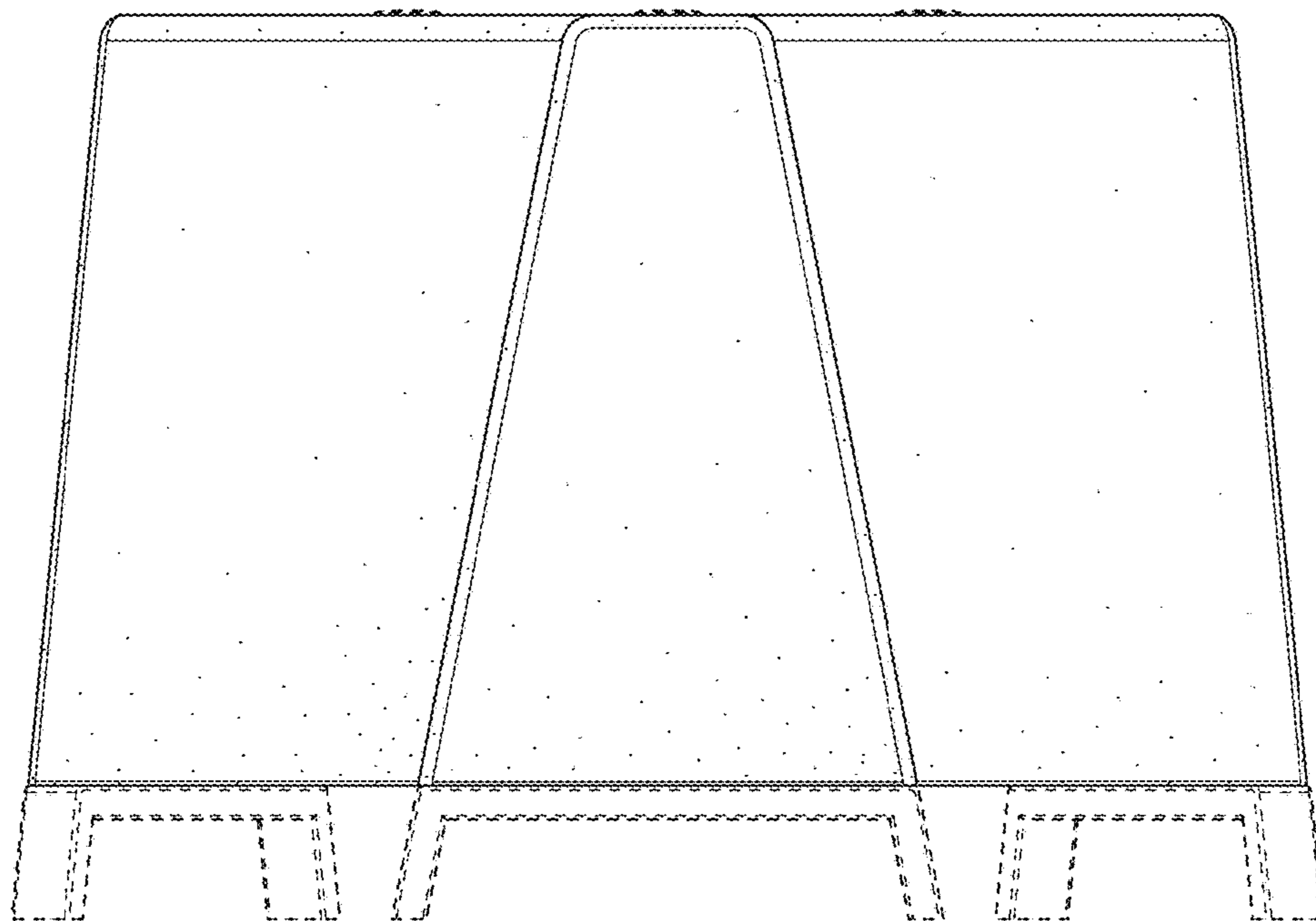


FIG. 2

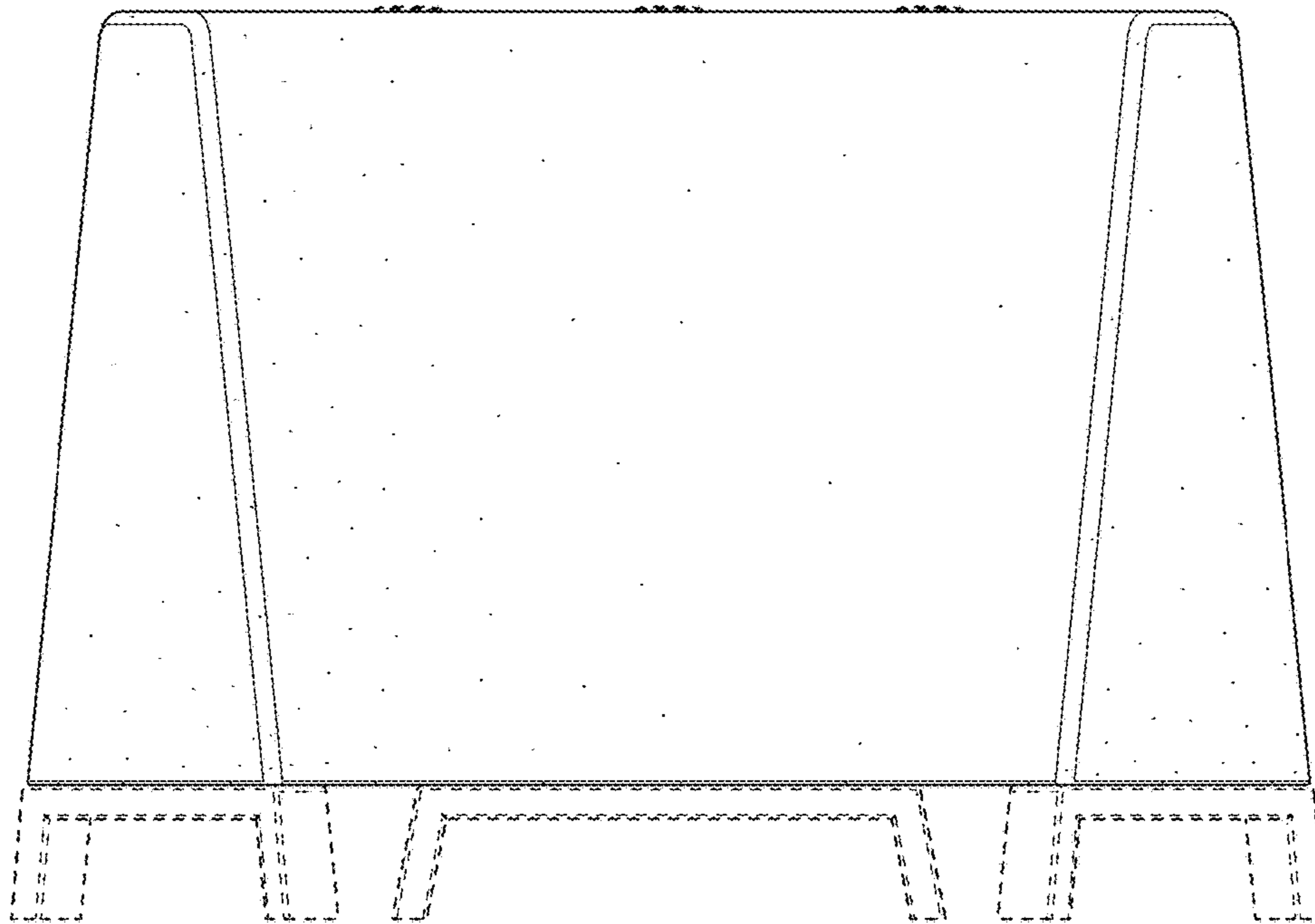


FIG. 3

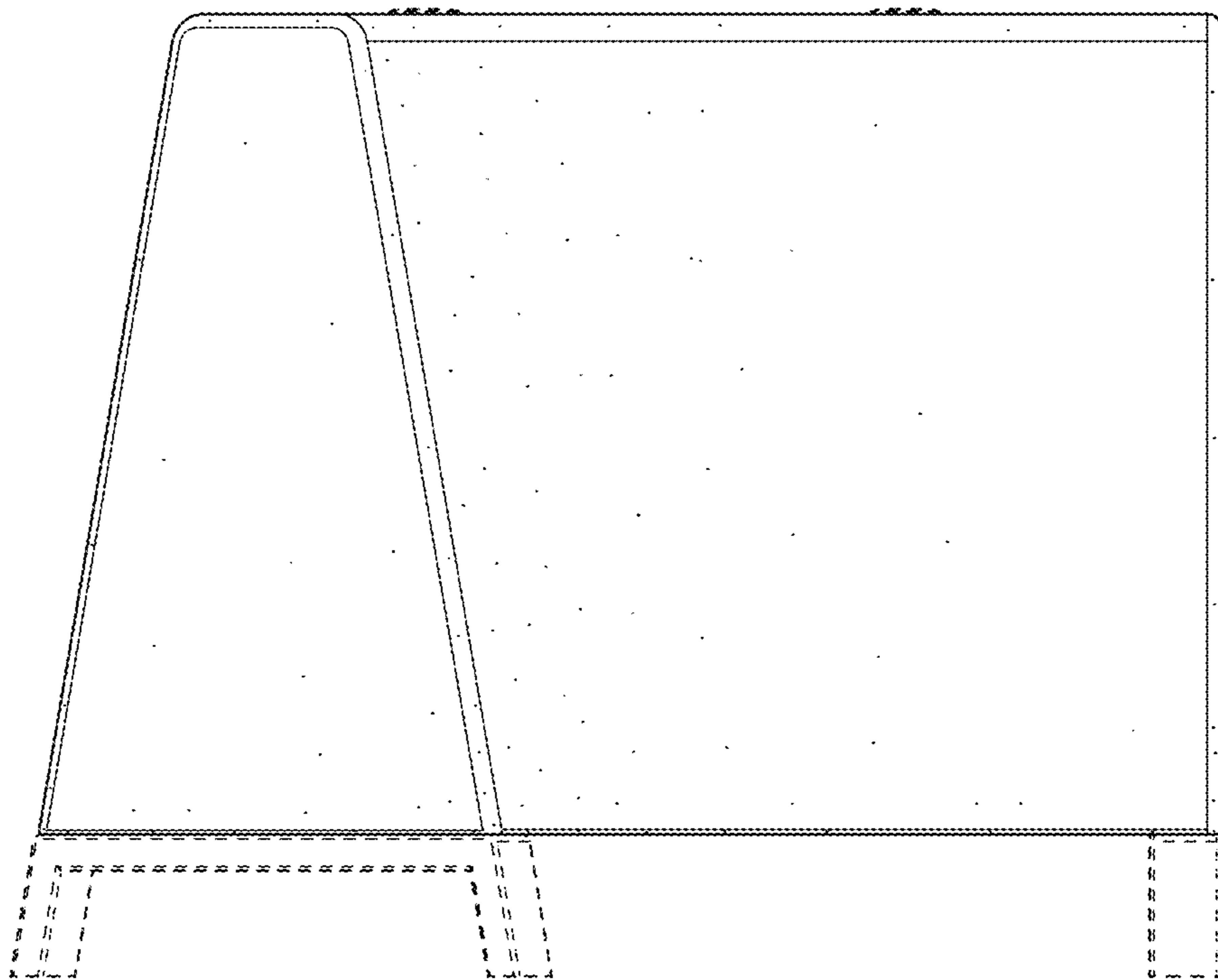


FIG. 4

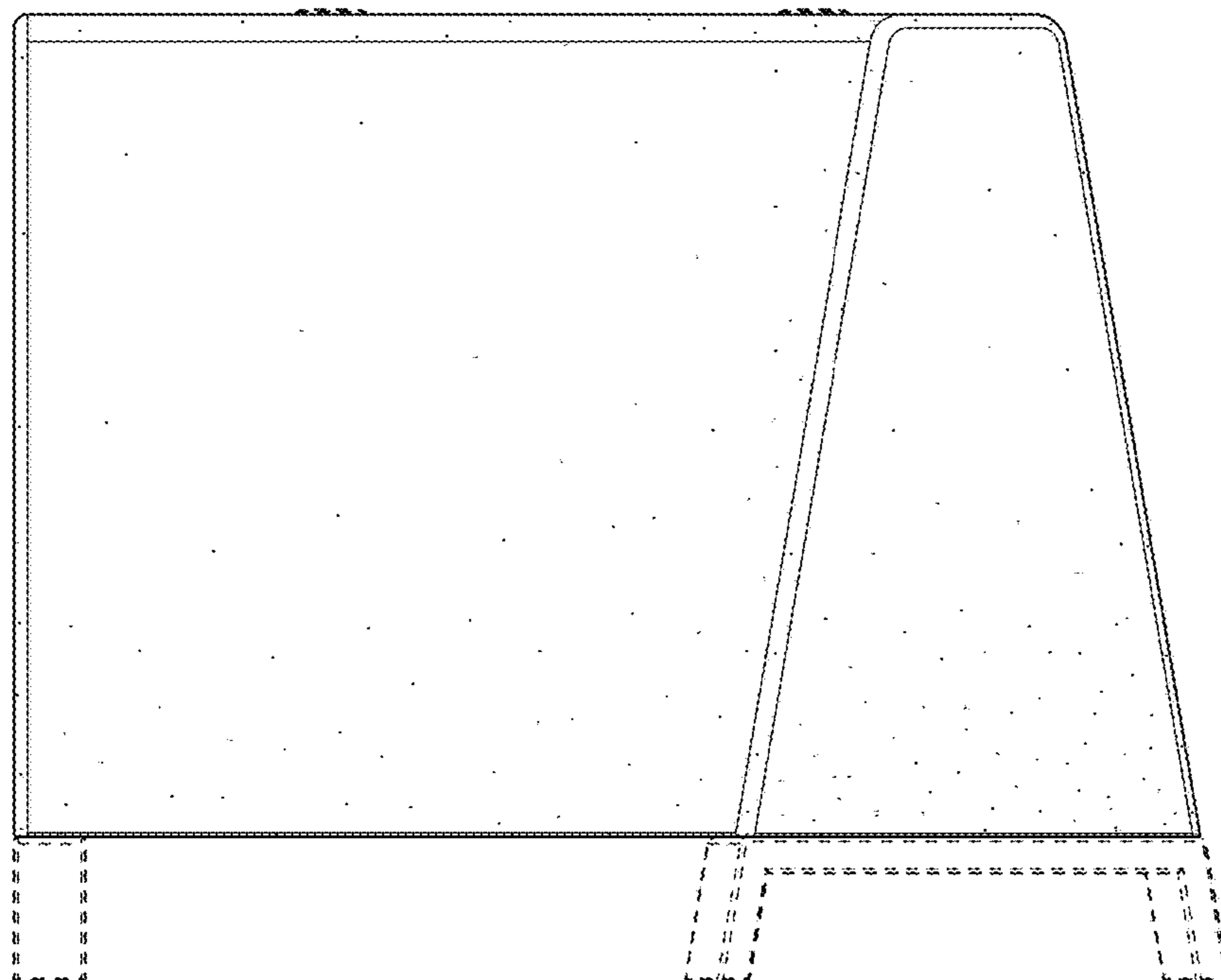


FIG. 5

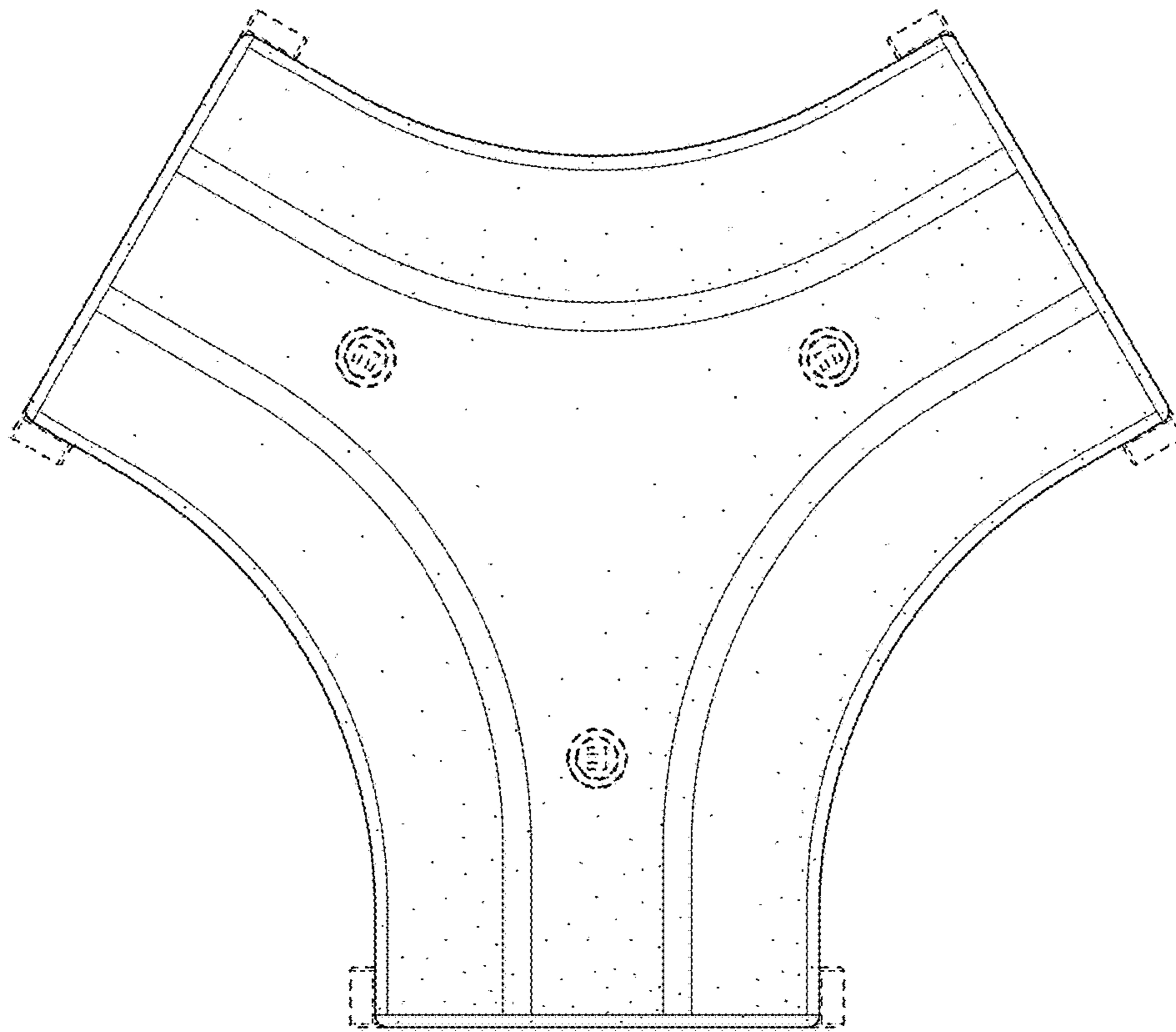


FIG. 6