



US00D812947S

(12) **United States Design Patent**  
**Tseng**

(10) **Patent No.:** **US D812,947 S**  
(45) **Date of Patent:** **\*\* Mar. 20, 2018**

- (54) **LIFT TABLE FRAME**
- (71) Applicants: **HI-MAX INNOVATION CO., LTD.**,  
Taichung (TW); **Yi-Chen Tseng**,  
Taichung (TW)
- (72) Inventor: **Yi-Chen Tseng**, Taichung (TW)
- (73) Assignees: **Hi-Max Innovation Co., Ltd.**,  
Taichung (TW); **Yi-Chen Tseng**,  
Taichung (TW)
- (\*\*) Term: **15 Years**
- (21) Appl. No.: **29/577,800**
- (22) Filed: **Sep. 15, 2016**
- (51) **LOC (11) Cl.** ..... **06-06**
- (52) **U.S. Cl.**  
USPC ..... **D6/708**
- (58) **Field of Classification Search**  
USPC ..... D6/641, 642, 648, 648.1, 648.2, 648.3,  
D6/648.4, 649, 653, 655, 655.11, 655.13,  
D6/656, 656.15, 699, 708, 708.16,  
D6/708.17, 709, 709.2  
CPC ..... A47B 7/00; A47B 13/08; A47B 13/10;  
A47B 21/00; A47B 2009/006; A47B  
11/00; A47B 2200/002; A47B 2200/0051;  
A47B 2200/0052; A47B 2200/0053;  
A47B 2200/0054; A47B 2200/0055;  
A47B 21/02  
See application file for complete search history.

(56) **References Cited**

**U.S. PATENT DOCUMENTS**

- D352,845 S \* 11/1994 Hellwig ..... D6/656.16
- D370,579 S \* 6/1996 Simon ..... D6/656.16
- D374,787 S \* 10/1996 Stoddard ..... D6/656.16
- 5,957,062 A \* 9/1999 Cox ..... A47B 3/0815  
108/133
- D449,471 S \* 10/2001 Petersen ..... D6/690

- D568,630 S \* 5/2008 Paterson ..... D6/708
- D586,591 S \* 2/2009 Stoller ..... D6/708
- D596,426 S \* 7/2009 Pai ..... D6/708
- D596,881 S \* 7/2009 Kitada ..... D6/708
- D627,176 S \* 11/2010 Lin ..... D6/653.15
- D648,161 S \* 11/2011 Truckor ..... D6/708
- D649,378 S \* 11/2011 Rogers ..... D6/708.16
- D690,541 S \* 10/2013 Rogers ..... D6/675.5
- D721,245 S \* 1/2015 Agati ..... D6/709
- 8,967,054 B2 \* 3/2015 Henriott ..... A47B 13/06  
108/147.19
- 9,038,549 B1 \* 5/2015 Zebarjad ..... A47B 9/02  
108/147
- D738,144 S \* 9/2015 Rogers ..... D6/675.5
- D801,736 S \* 11/2017 Paul ..... D6/684
- 9,814,306 B2 \* 11/2017 Koder ..... A47B 9/20

(Continued)

*Primary Examiner* — Mary Ann Calabrese

*Assistant Examiner* — S. R. Rozin

(74) *Attorney, Agent, or Firm* — Wang Law Firm, Inc.

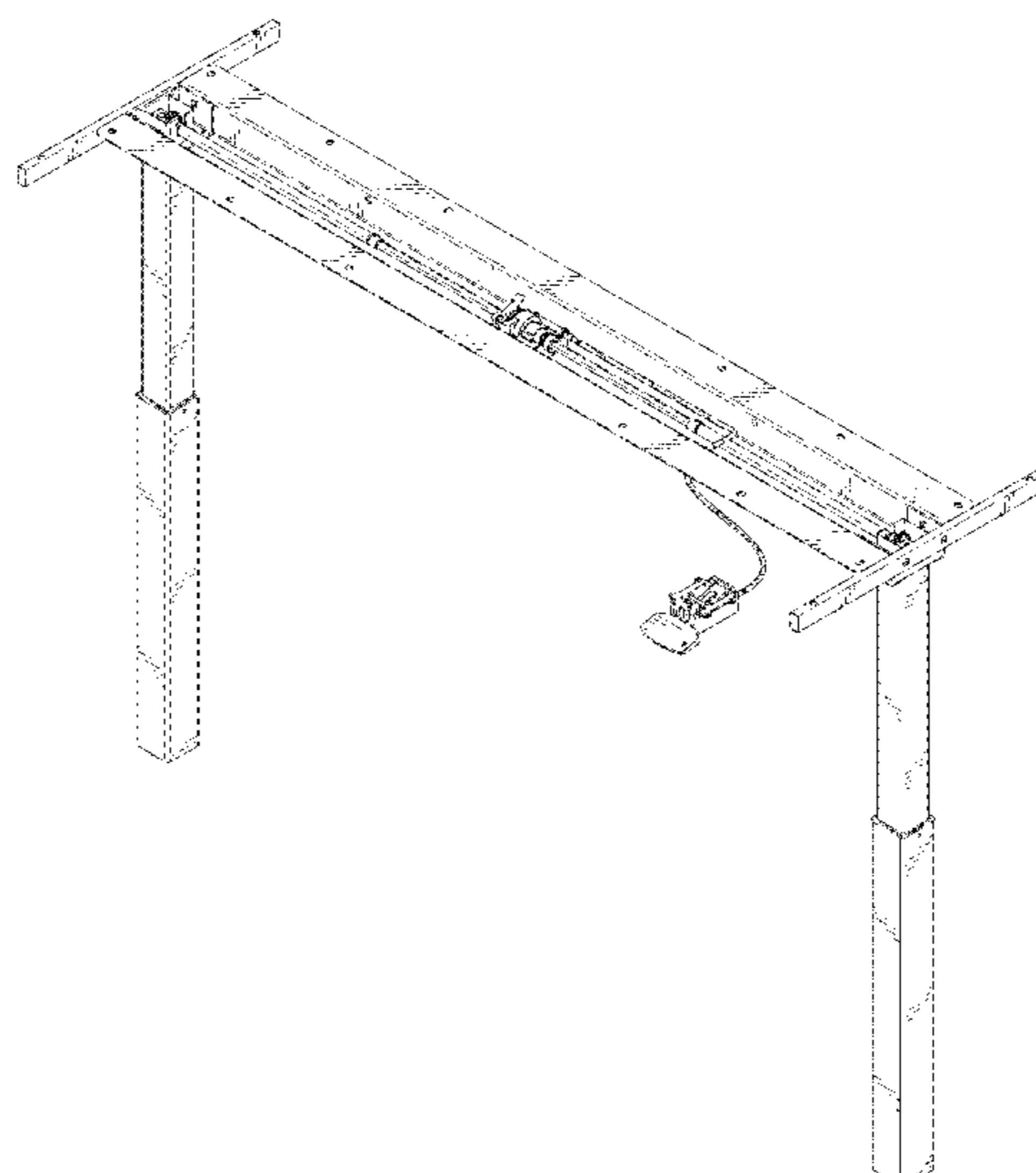
(57) **CLAIM**

The ornamental design for lift table frame, as shown and described.

**DESCRIPTION**

FIG. 1 is a perspective view of a lift table frame showing my new design;  
 FIG. 2 is a front view thereof;  
 FIG. 3 is a rear view thereof;  
 FIG. 4 is a left side view thereof;  
 FIG. 5 is a right side view thereof;  
 FIG. 6 is a top plan view thereof;  
 FIG. 7 is a bottom plan view thereof  
 FIG. 8 is another perspective view thereof taken from alternative position;  
 FIG. 9 is perspective view thereof shown in use; and,  
 FIG. 10 is a perspective view thereof shown in use.  
 The broken lines in the drawings represent unclaimed environment only and form no part of claimed design.

**1 Claim, 8 Drawing Sheets**



(56)

**References Cited**

U.S. PATENT DOCUMENTS

2012/0304900	A1 *	12/2012	Henriott .....	A47B 13/06 108/91
2013/0293173	A1 *	11/2013	Strothmann .....	A47B 9/20 318/466
2014/0103174	A1 *	4/2014	Koder .....	A47B 9/04 248/188.5
2016/0170402	A1 *	6/2016	Lindstrom .....	A47B 9/00 700/275
2016/0360879	A1 *	12/2016	Kelley .....	A47B 21/06
2017/0135466	A1 *	5/2017	Randlov .....	A47B 9/20
2017/0188698	A1 *	7/2017	Chen .....	A47B 9/20

\* cited by examiner

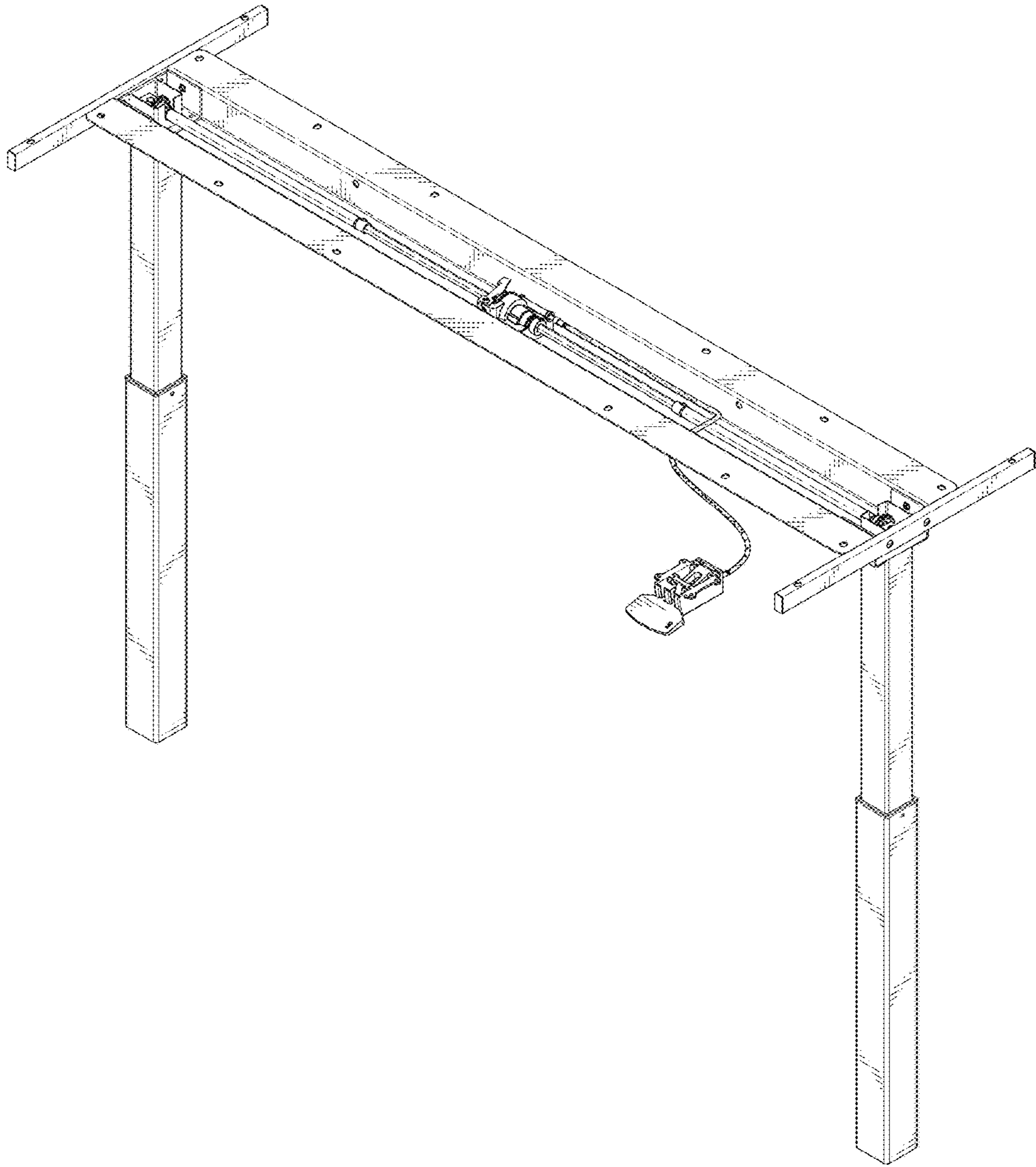


FIG.1

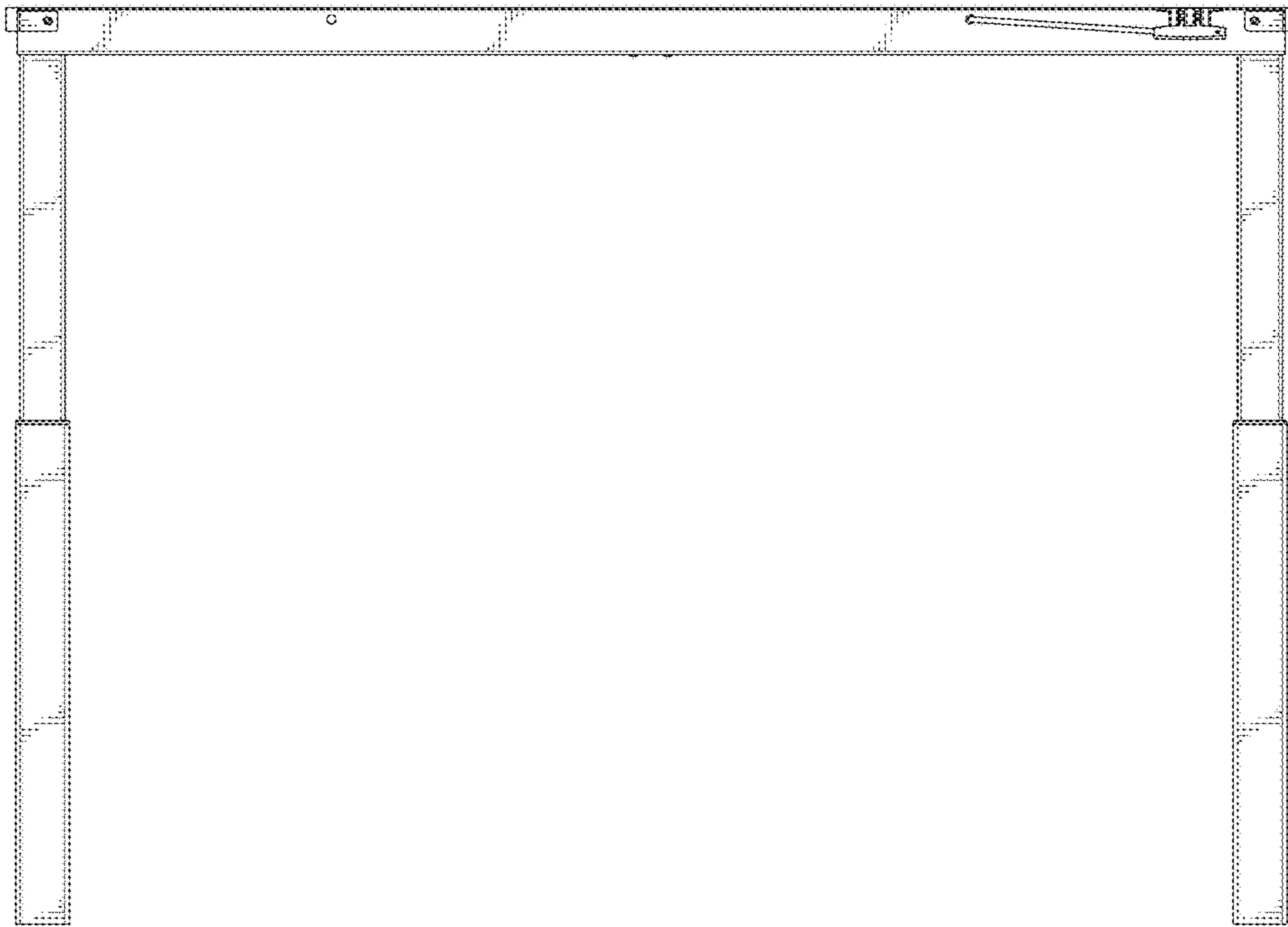


FIG.2

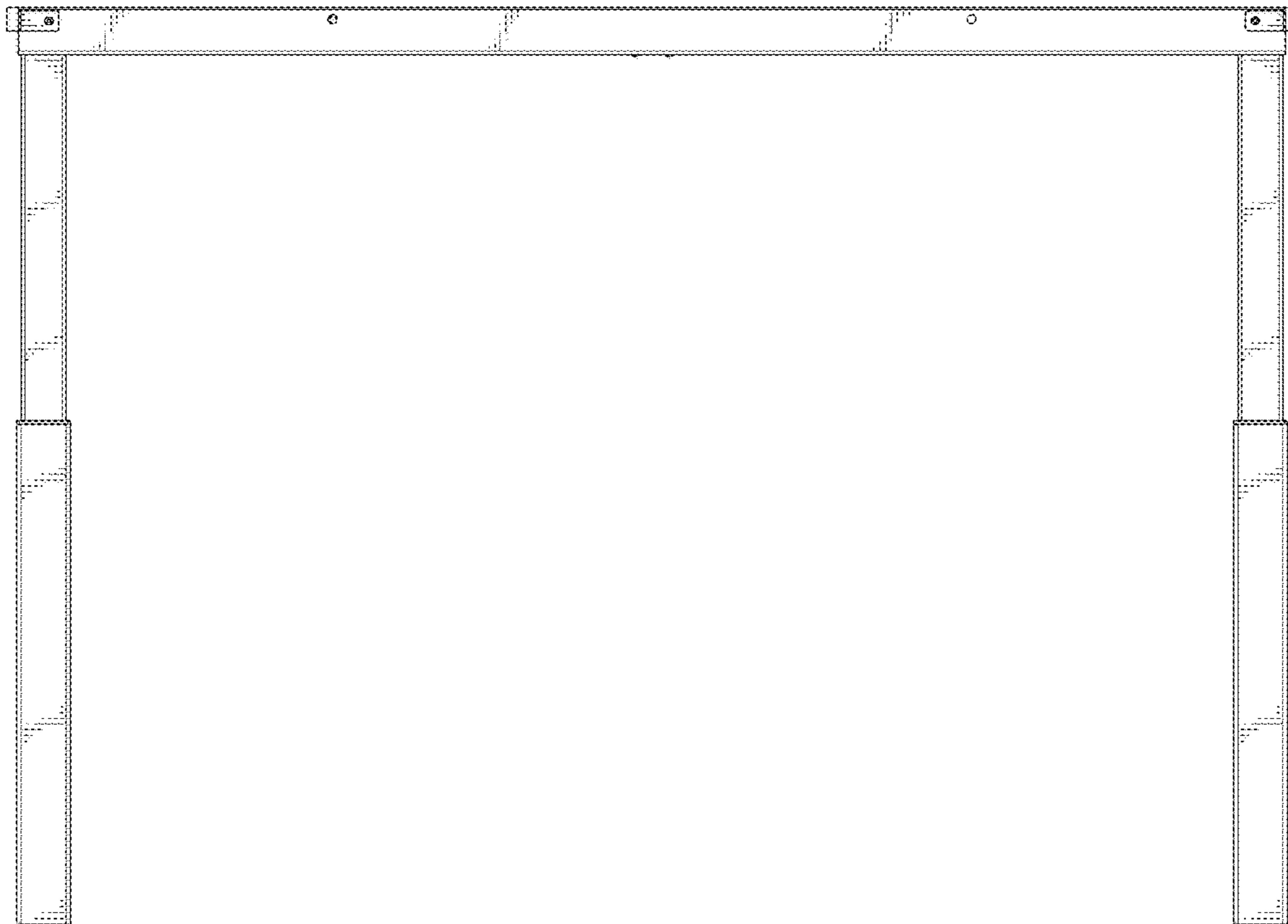


FIG.3

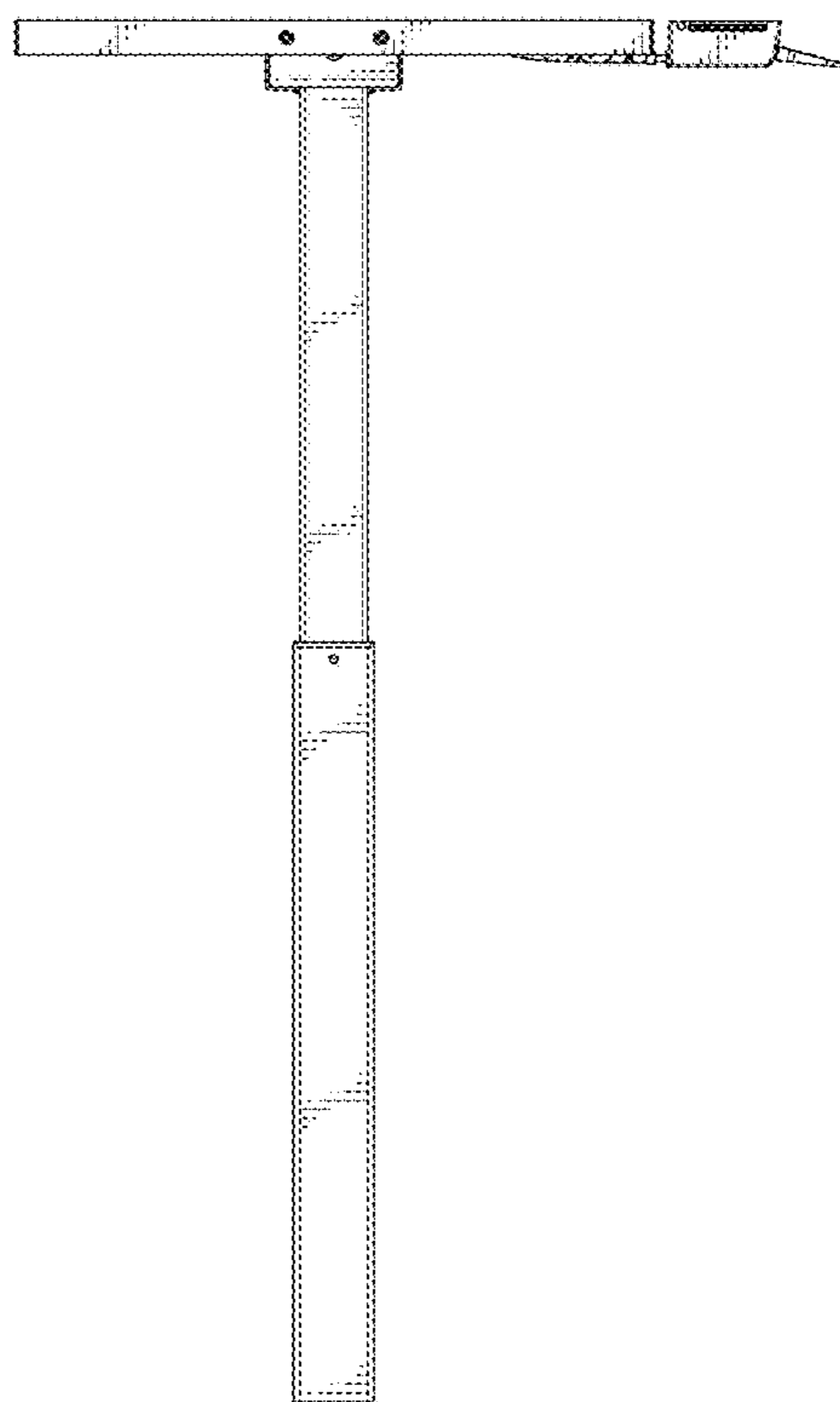


FIG.4

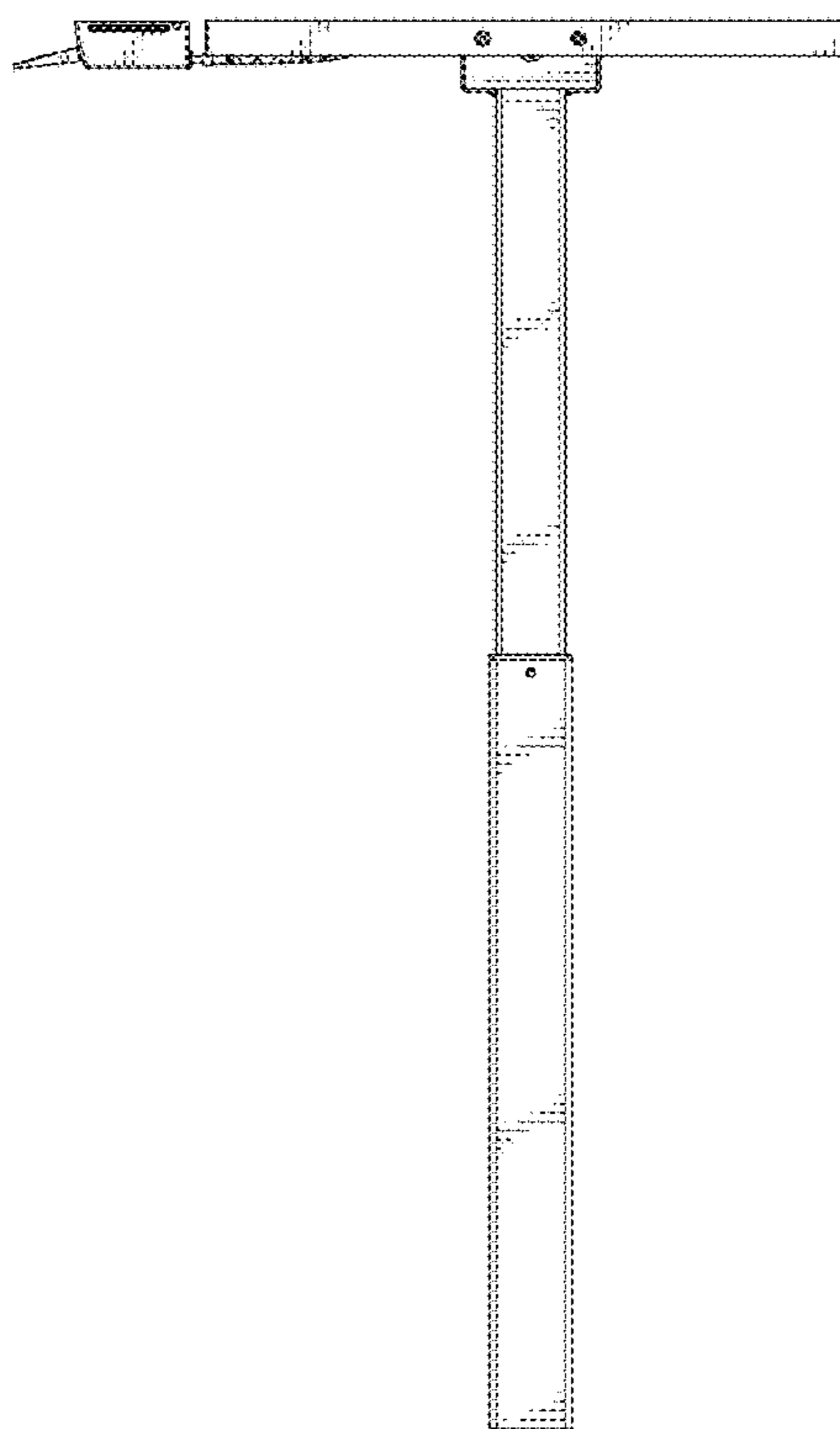


FIG.5



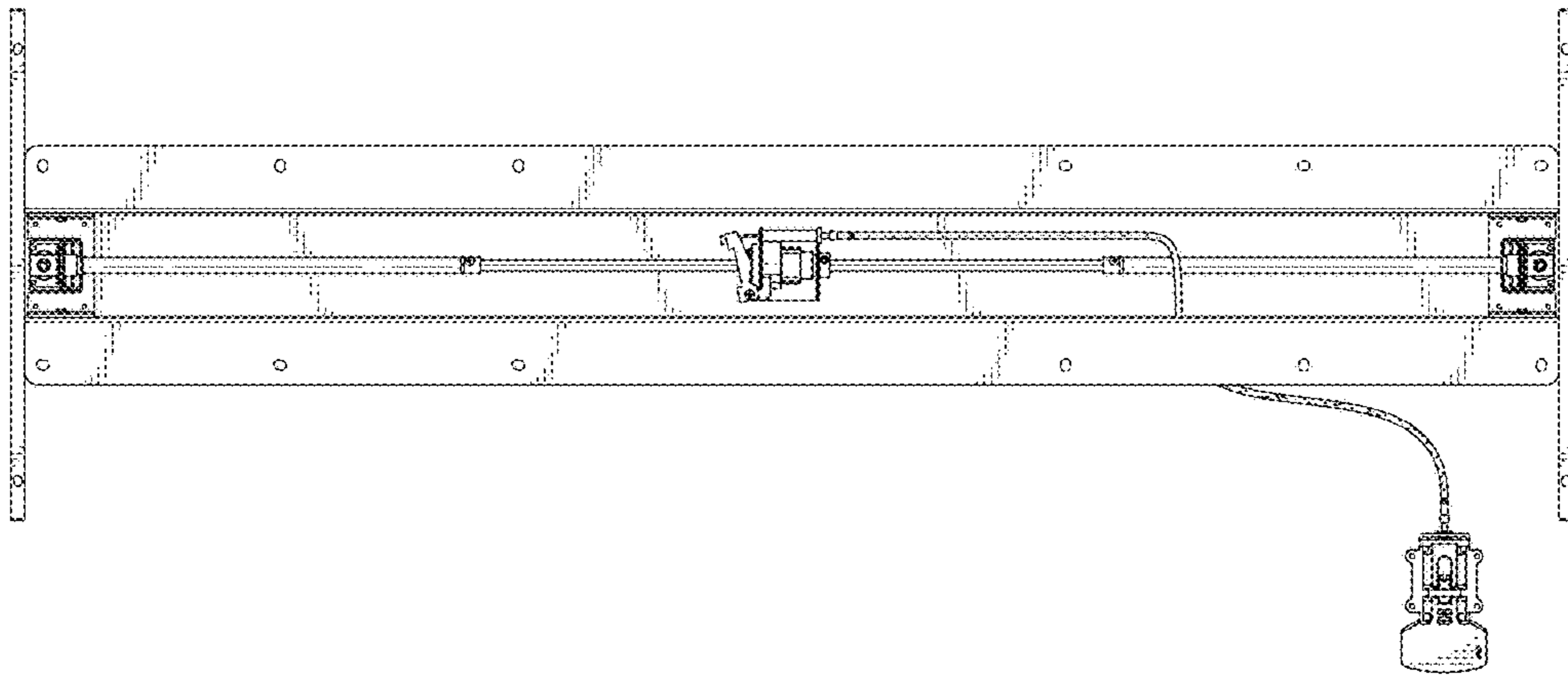


FIG. 6

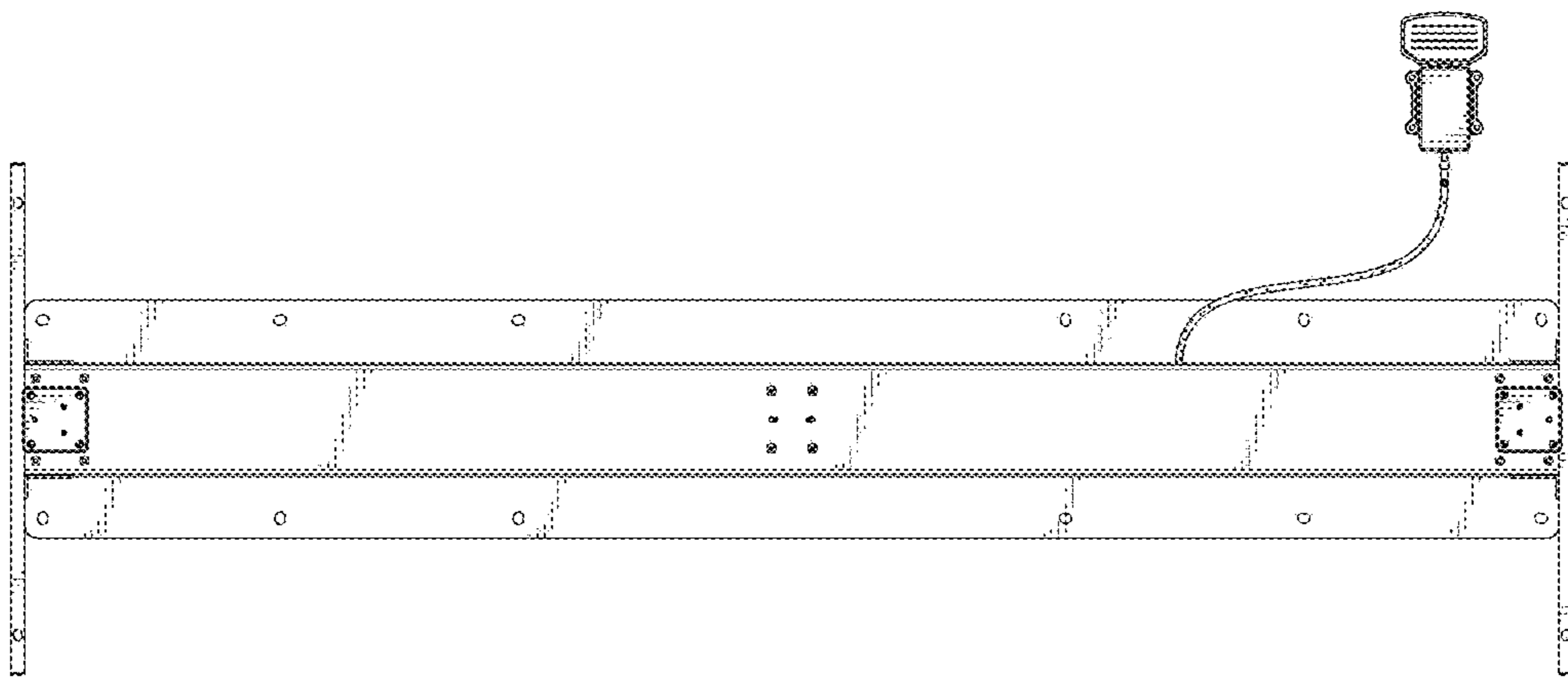


FIG. 7

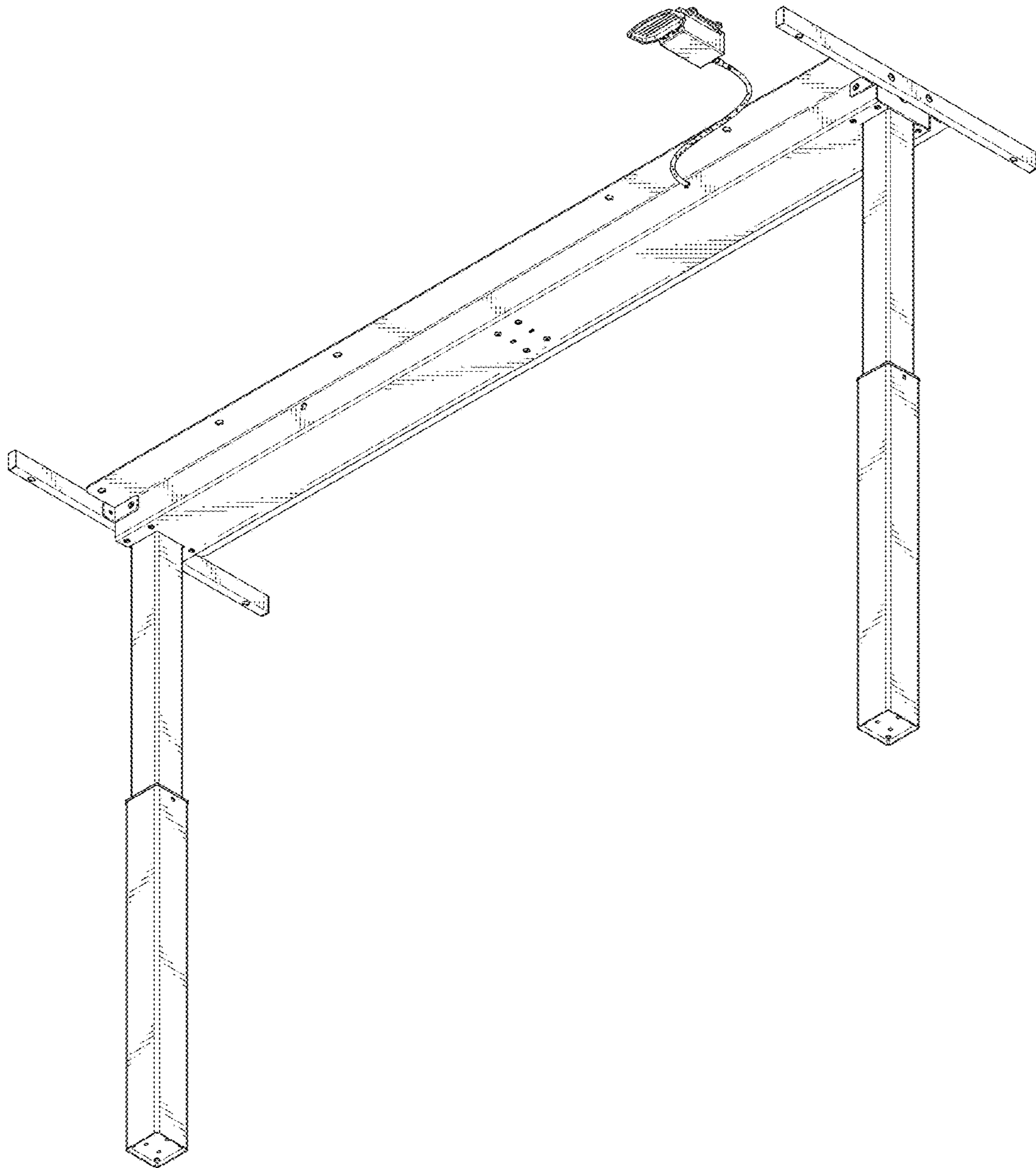


FIG.8



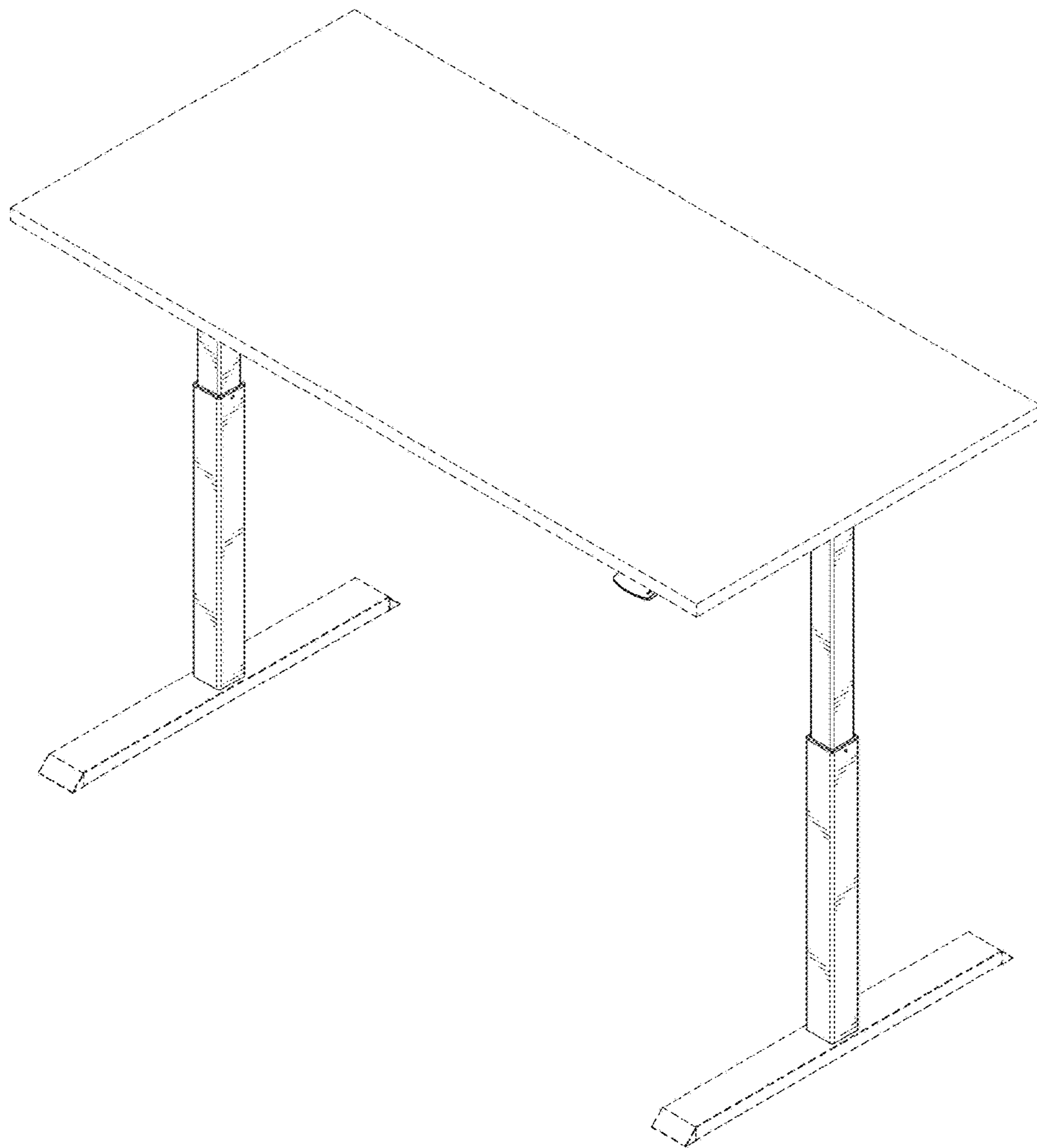


FIG.9

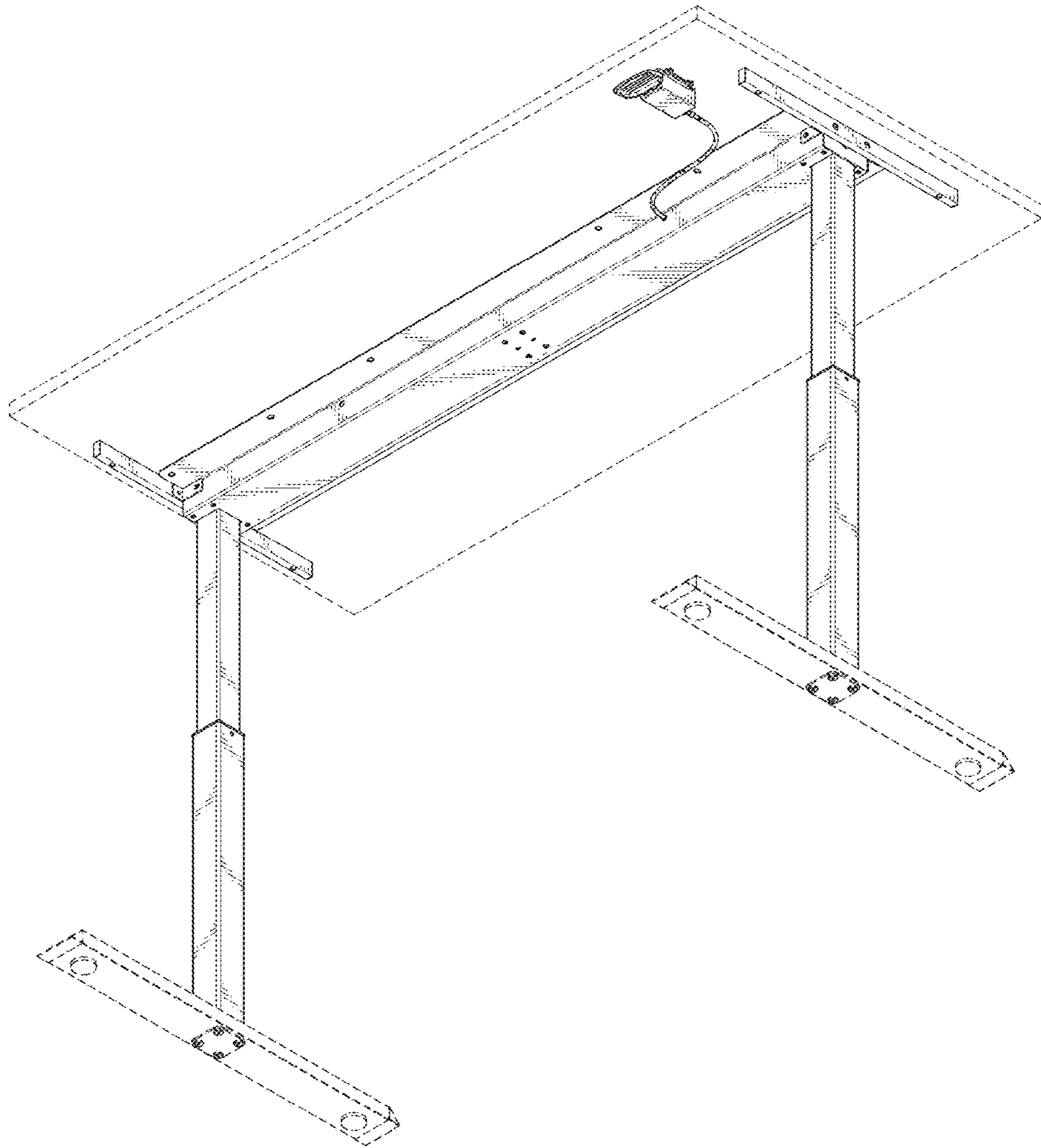


FIG.10