



US00D812942S

(12) **United States Design Patent** (10) **Patent No.:** **US D812,942 S**
Pilat (45) **Date of Patent:** **** Mar. 20, 2018**

(54) OPTICAL EYEWEAR DISPLAY	5,861,941 A * 1/1999 Liebers A61B 3/04 351/223
(71) Applicant: OVVO Optics , Mahwah, NJ (US)	D426,998 S * 6/2000 Kidd D6/567 6,257,724 B1 * 7/2001 Liebers A61B 3/04 351/245
(72) Inventor: Artur Pilat , Mahwah, NJ (US)	6,443,317 B1 * 9/2002 Brozak, Jr. A47F 7/021 211/85.1
(73) Assignee: OVVO Optics , Mahwah, NJ (US)	7,134,559 B2 * 11/2006 Zoueki A47F 7/0243 211/85.1
(**) Term: 15 Years	D573,809 S * 7/2008 Levy D6/682.6 D586,582 S * 2/2009 Alexander D6/675.4 D635,377 S * 4/2011 Rodgers D6/675.3 D639,580 S * 6/2011 Clemence D6/674 D644,453 S * 9/2011 Levy D6/680.2 D689,715 S * 9/2013 Wong D6/675.1 D800,484 S * 10/2017 Pilat D6/682.6
(21) Appl. No.: 29/608,787	
(22) Filed: Jun. 26, 2017	

Related U.S. Application Data

- (62) Division of application No. 29/550,227, filed on Dec. 31, 2015, now Pat. No. Des. 800,484.
- (51) **LOC (11) Cl.** **06-06**
- (52) **U.S. Cl.**
USPC **D6/682.6**
- (58) **Field of Classification Search**
USPC D6/672, 673, 675, 678, 682, 682.1,
D6/682.2, 682.3, 682.6
CPC A47B 57/30; A47F 3/00; A47F 5/0006;
A47F 7/00; A47F 7/02; A47F 7/021;
A47F 11/00
See application file for complete search history.

* cited by examiner

Primary Examiner — Kelley Donnelly

(74) *Attorney, Agent, or Firm* — Spruce Law Group, LLC

(57) **CLAIM**

The ornamental design for an optical eyewear display, as shown and described.

DESCRIPTION

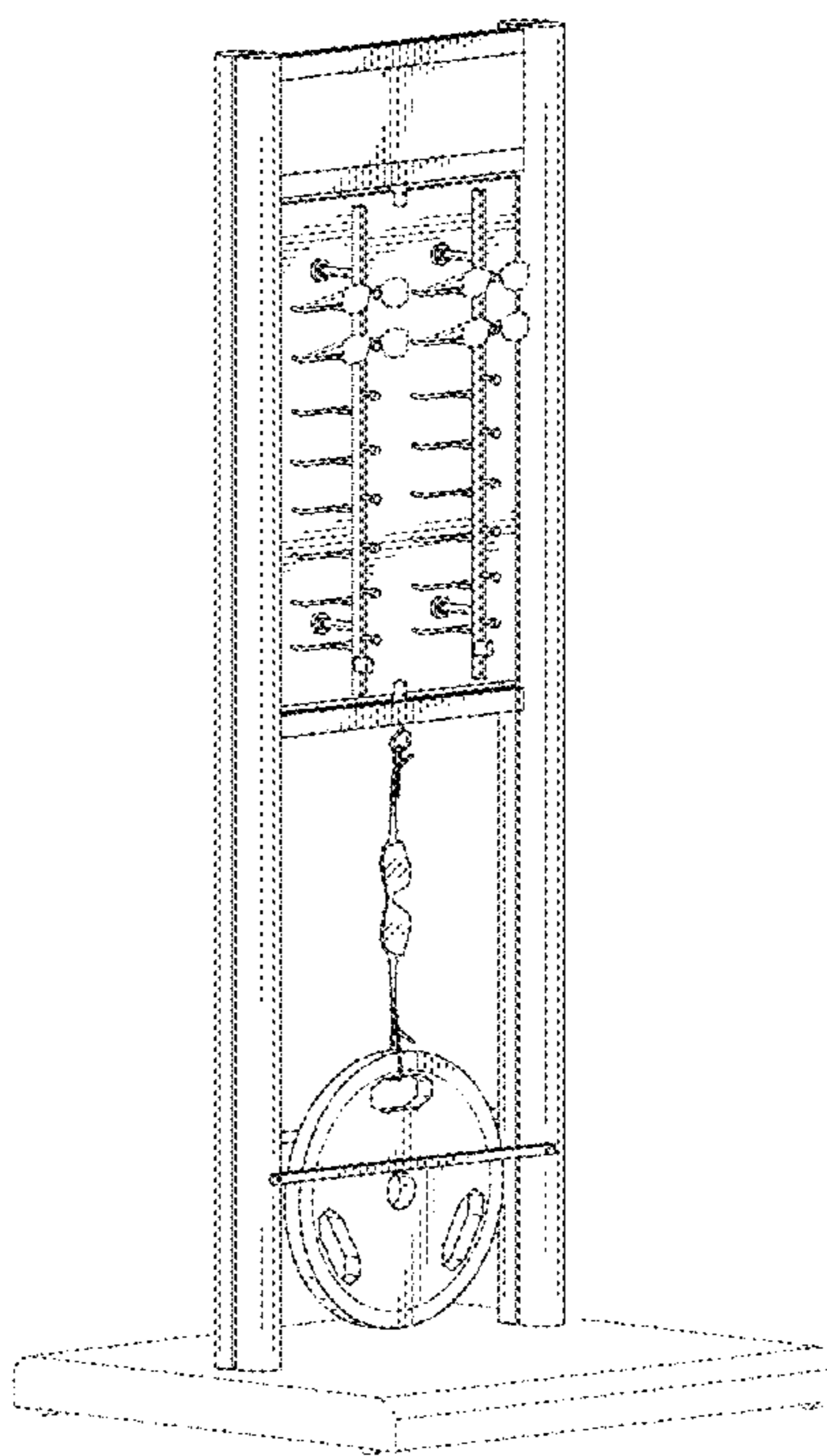
FIG. 1 is a front perspective view of an optical eyewear display;
 FIG. 2 is a front view thereof;
 FIG. 3 is a rear view thereof;
 FIG. 4 is a left side view thereof;
 FIG. 5 is a right side view thereof;
 FIG. 6 is a top view thereof; and,
 FIG. 7 is a bottom view thereof.

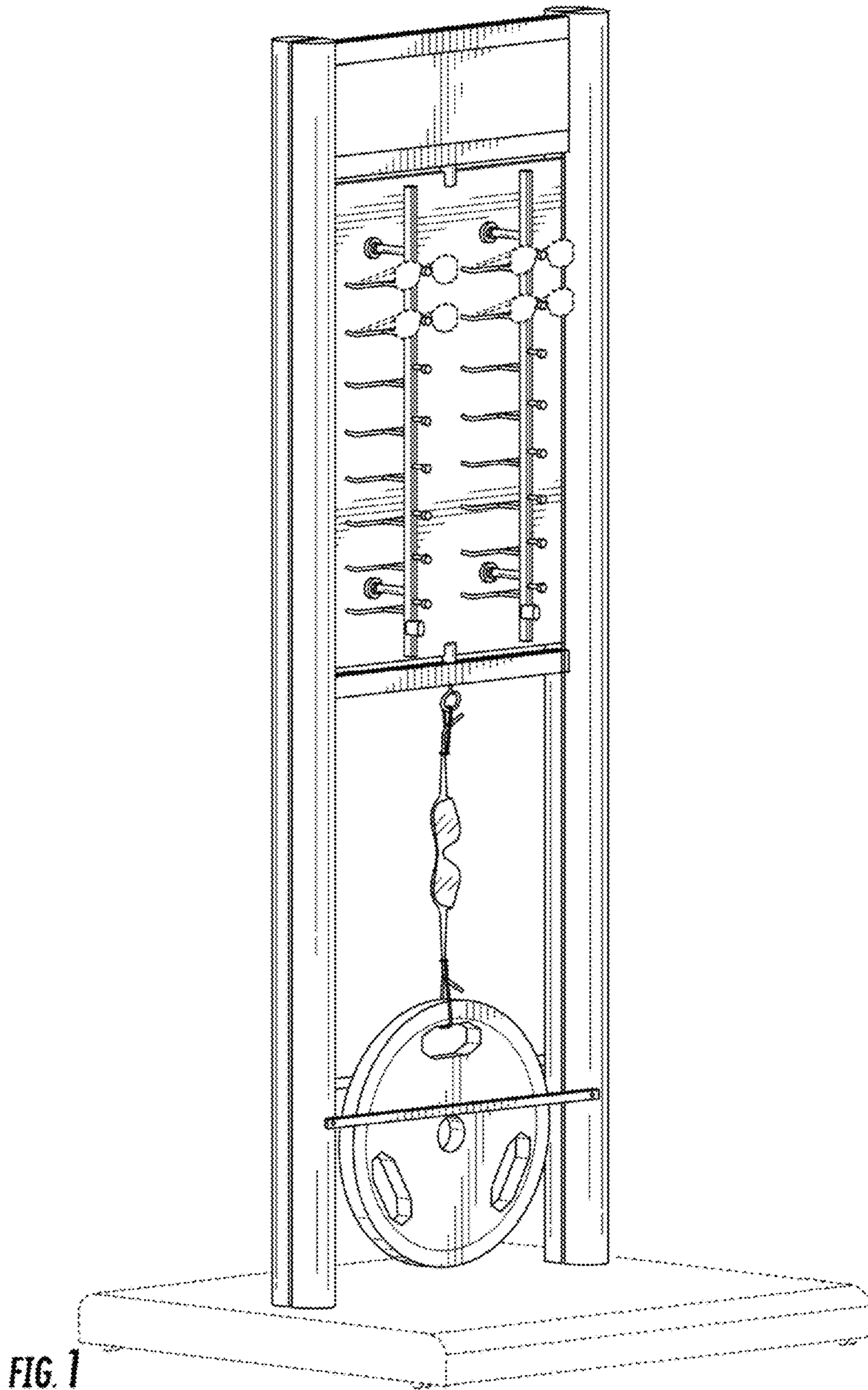
(56) **References Cited**

U.S. PATENT DOCUMENTS

D251,048 S * 2/1979 Richman D20/19	
4,558,788 A * 12/1985 Grothaus A47F 7/021	211/85.1

1 Claim, 6 Drawing Sheets





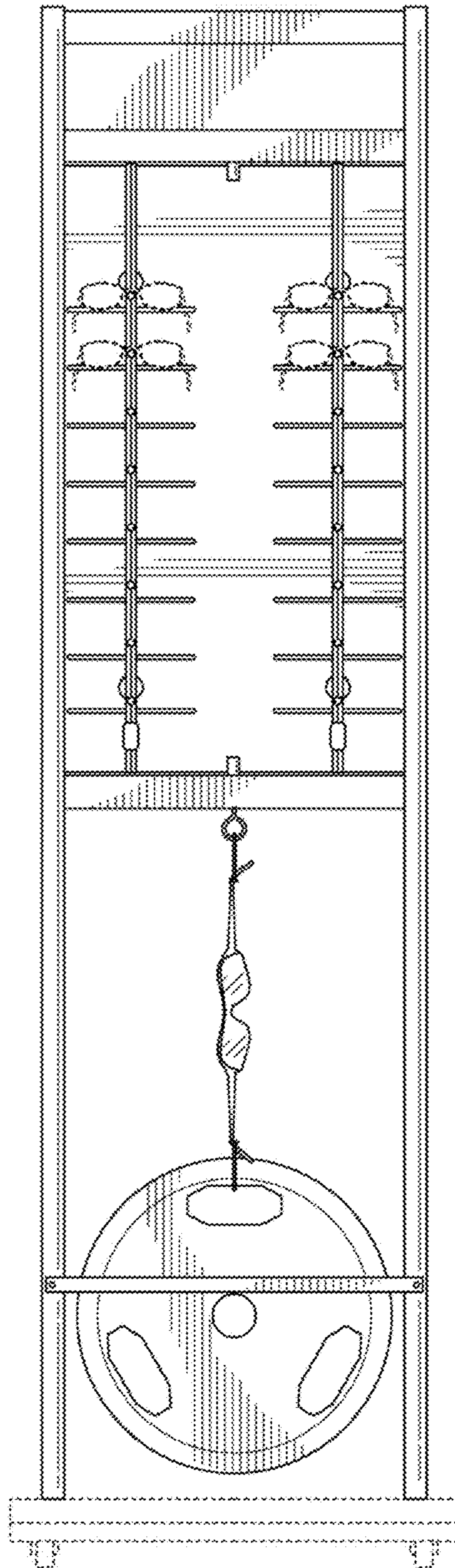


FIG. 2

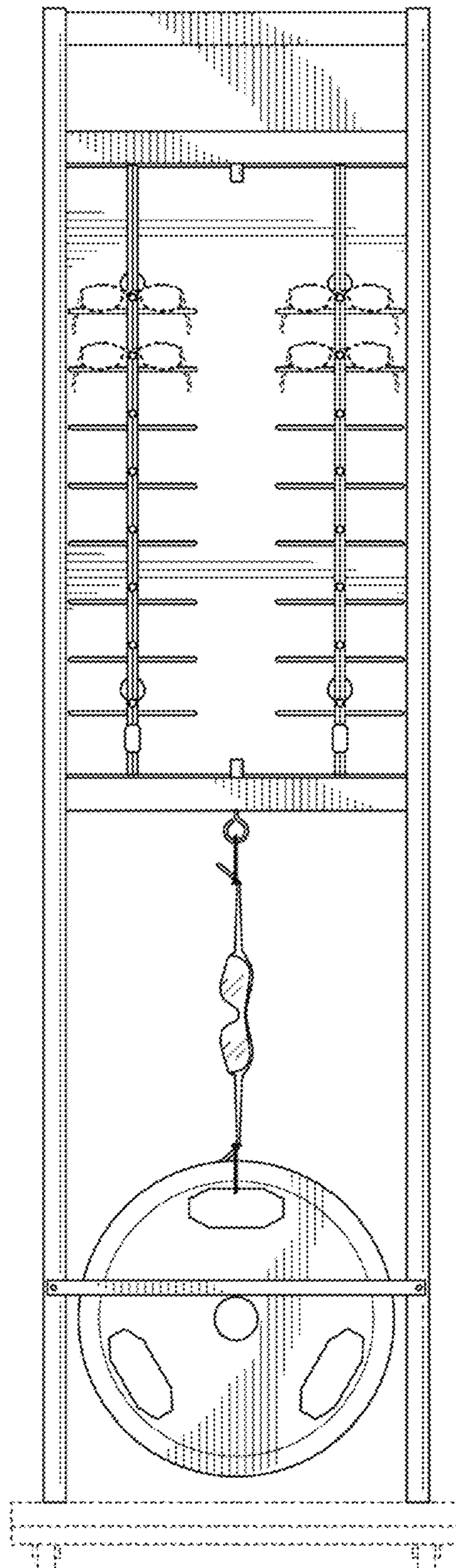


FIG. 3

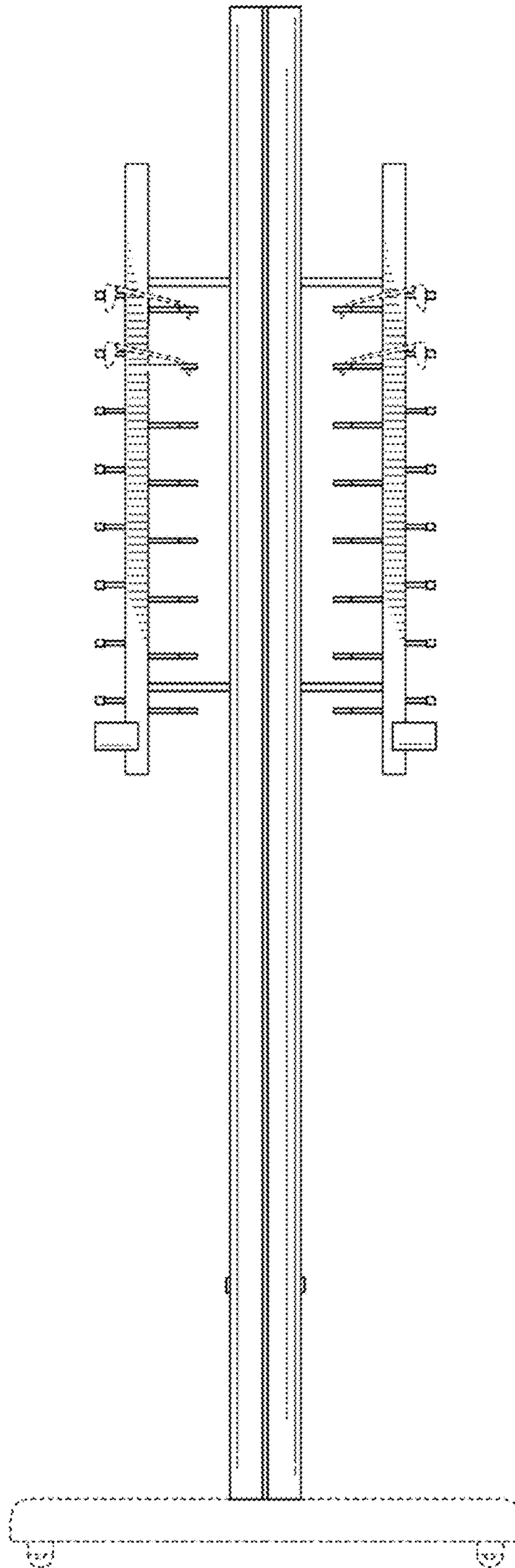


FIG. 4

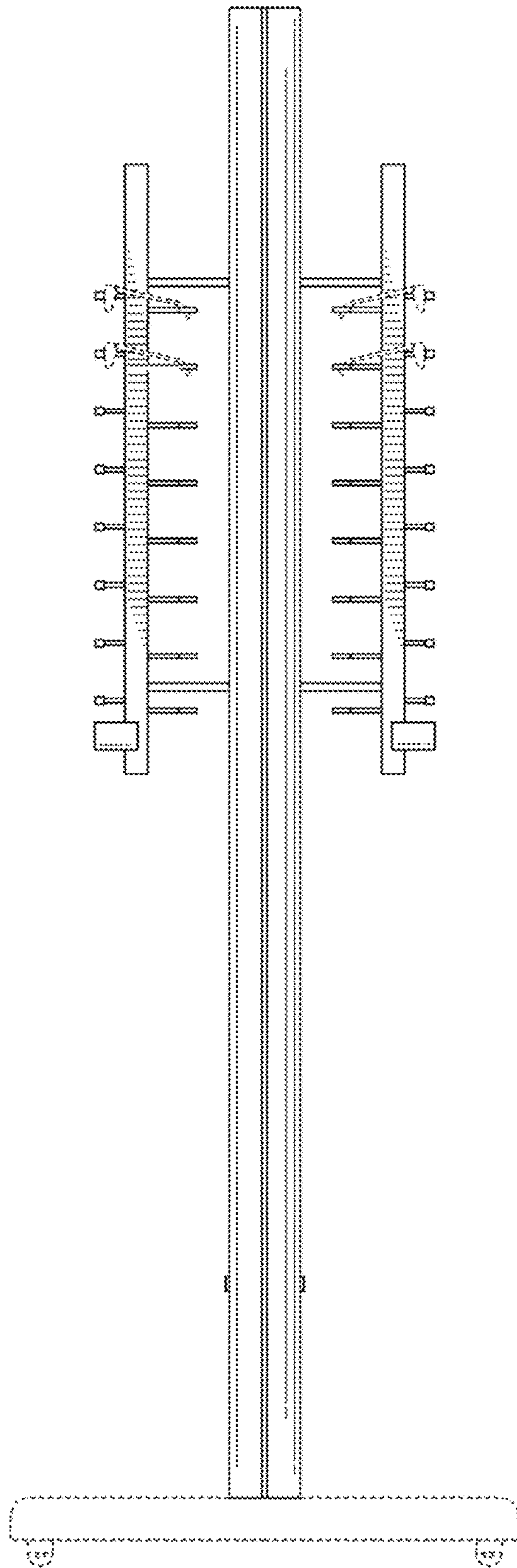


FIG. 5

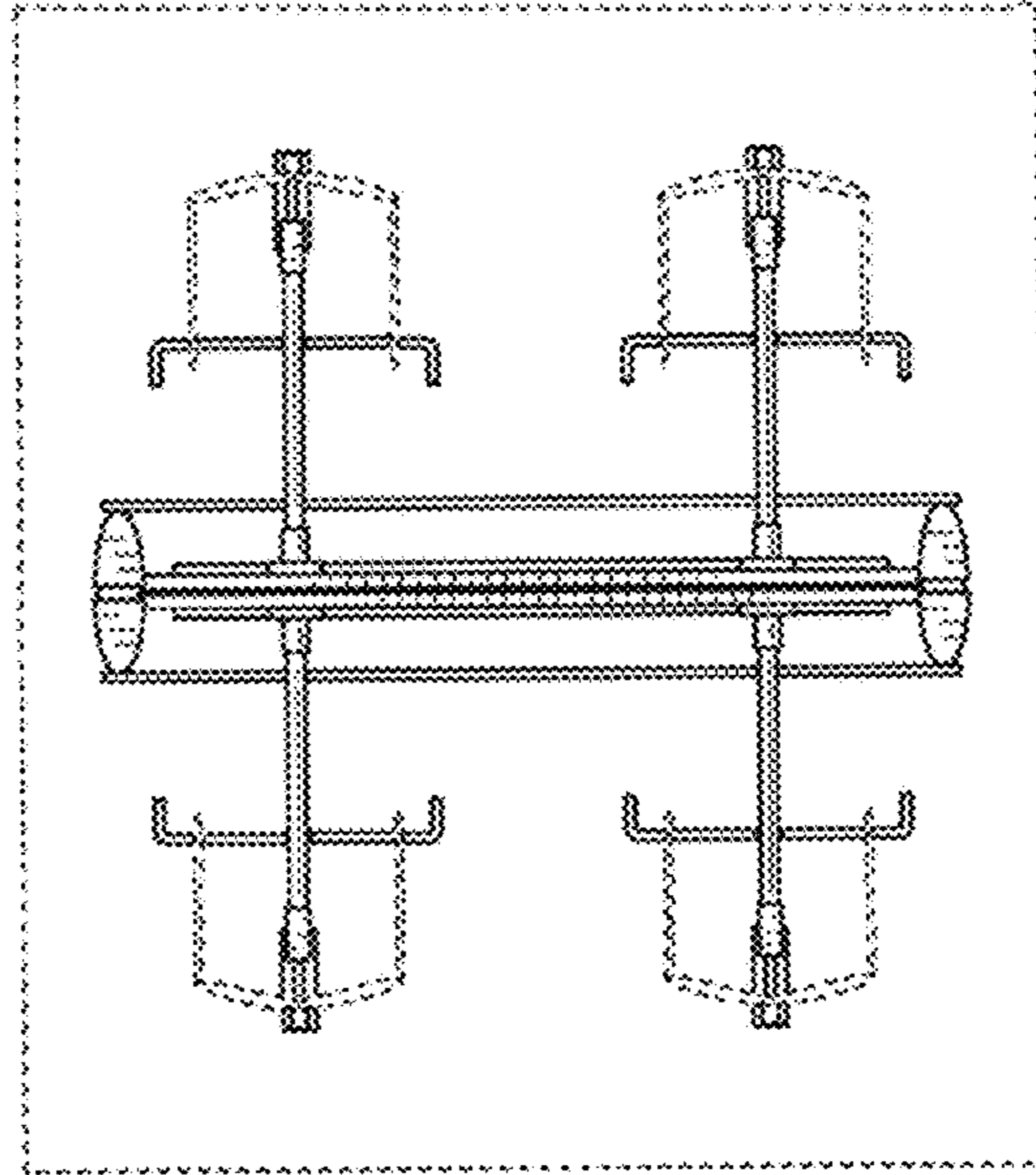


FIG. 6

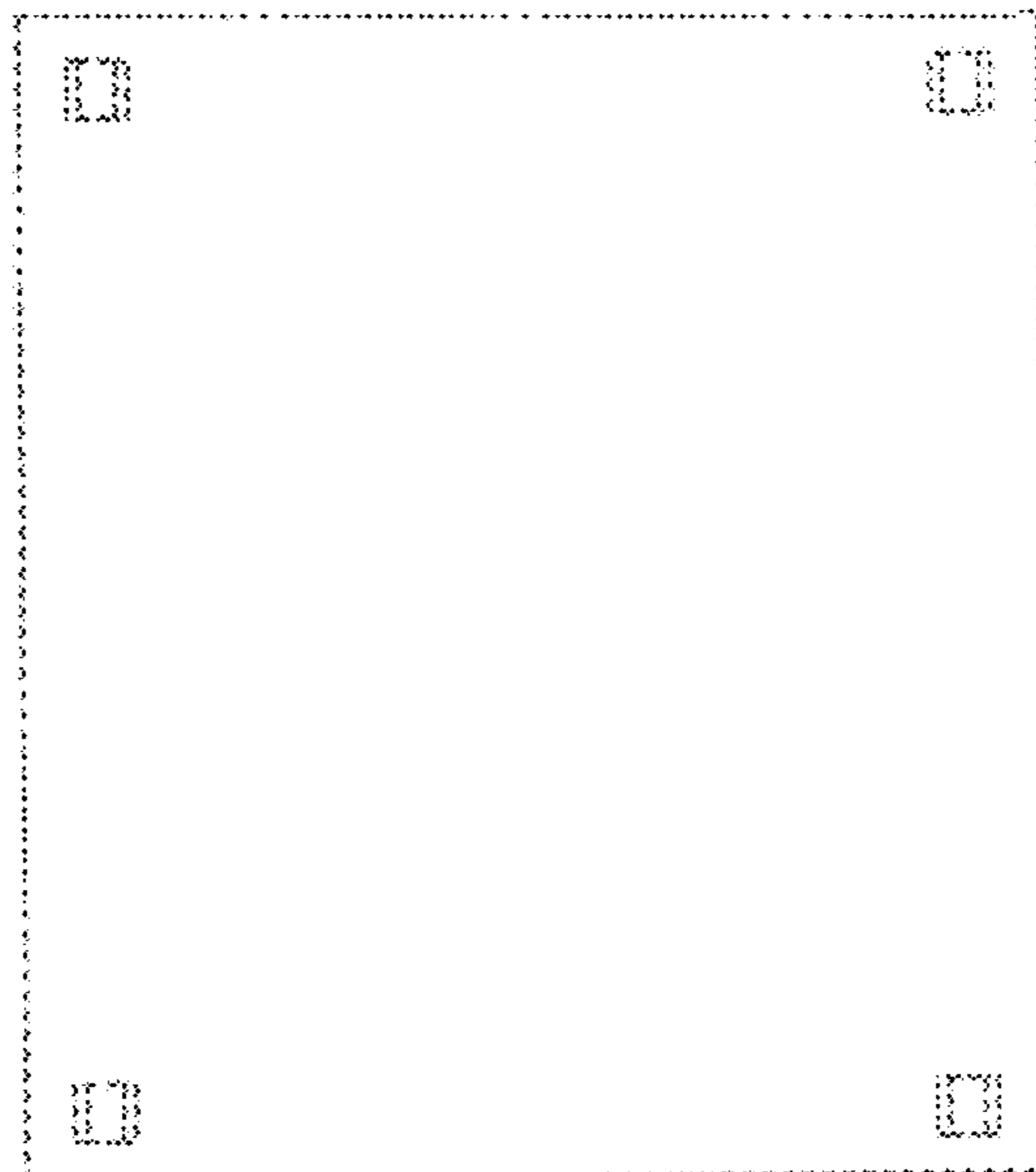


FIG. 7