



US00D812941S

(12) **United States Design Patent** (10) **Patent No.:** **US D812,941 S**  
**Procaccini** (45) **Date of Patent:** **\*\* Mar. 20, 2018**

(54) **GEAR SUPPORT STAND** 6,749,073 B2 \* 6/2004 McNab ..... A47G 25/0671  
211/205  
(71) Applicant: **Gregory B. Procaccini**, Alexandria, VA D496,191 S \* 9/2004 Johnson ..... D6/681.3  
(US) D566,990 S \* 4/2008 Cook ..... D6/681.3  
D625,937 S \* 10/2010 Goldstein ..... D6/681.3  
(72) Inventor: **Gregory B. Procaccini**, Alexandria, VA D646,501 S \* 10/2011 Hepeng ..... D6/681.1  
(US) D660,051 S \* 5/2012 Lin ..... D6/329  
D664,374 S \* 7/2012 Capella ..... D6/681.3  
D761,601 S \* 7/2016 Simmons ..... D6/681  
D778,999 S \* 2/2017 Zanyk ..... D21/686  
(\*\*) Term: **15 Years** 2007/0175848 A1 \* 8/2007 Mallen ..... A47G 25/0671  
211/196

(21) Appl. No.: **29/568,848**

(Continued)

(22) Filed: **Jun. 22, 2016**

OTHER PUBLICATIONS

(51) **LOC (11) Cl.** ..... **06-04**

“My personal wooden body armor stand”, Feb. 4, 2016 Accessed,  
URL: [www.pinterest.com/pin/447686019178904778/](http://www.pinterest.com/pin/447686019178904778/).

(52) **U.S. Cl.**

(Continued)

USPC ..... **D6/681.1**

(58) **Field of Classification Search**

*Primary Examiner* — John Windmuller

USPC ..... D6/672, 681, 681.1, 681.2, 681.3, 682,

D6/682.2, 682.5, 708.23, 552, 567, 682.6

CPC .... A47F 5/0018; A47F 5/0031; A47F 5/0037;

A47F 5/0081; A47F 5/01; A47F 5/02;

A47F 5/04; A47F 5/0838; A47F 7/02;

A47F 7/021; A47F 7/0243

*Assistant Examiner* — Steven Czyz

(74) *Attorney, Agent, or Firm* — Maier & Maier, PLLC

See application file for complete search history.

(57) **CLAIM**

(56) **References Cited**

The ornamental design for a gear support stand, as shown  
and described.

U.S. PATENT DOCUMENTS

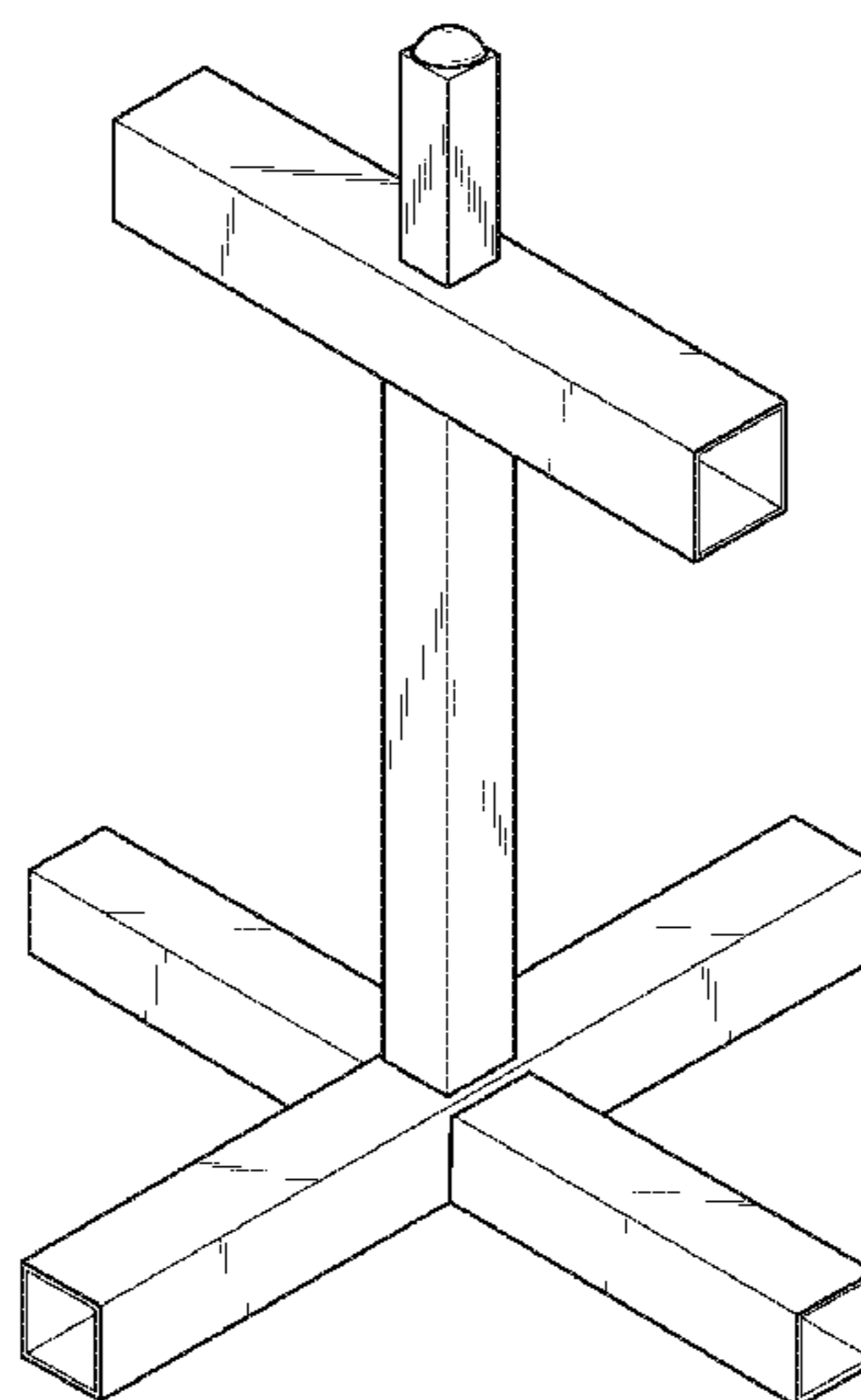
**DESCRIPTION**

- 863,820 A 8/1907 Wingert
- D39,209 S \* 3/1908 Larson et al. .... 211/33
- D197,720 S \* 3/1964 Gamble et al. .... D6/407
- 3,204,779 A \* 9/1965 Warner ..... A47F 5/13  
211/182
- D229,878 S \* 1/1974 Saika et al. .... D6/681.1
- D255,292 S \* 6/1980 Gibson ..... D6/681.1
- 4,662,132 A 5/1987 Tennant
- D334,855 S \* 4/1993 Harrington ..... D6/681.3
- D338,116 S \* 8/1993 Gallagher ..... D6/405
- D357,544 S \* 4/1995 Spransy ..... D25/119
- 5,819,961 A \* 10/1998 Harris ..... A47G 25/0671  
211/196
- 6,454,145 B1 \* 9/2002 Russ ..... A47G 25/20  
223/85
- D465,946 S \* 11/2002 Boyd, Jr. .... D6/681.3

FIG. 1 is a front perspective view of a gear support stand;  
FIG. 2 is a front elevation view thereof;  
FIG. 3 is a rear elevation view thereof;  
FIG. 4 is a right elevation view thereof;  
FIG. 5 is a left elevation view thereof;  
FIG. 6 is a top plan view thereof; and,  
FIG. 7 is a bottom plan view thereof.

The broken lines depict portions of the article that form no  
part of the claimed design.

**1 Claim, 6 Drawing Sheets**



(56)

**References Cited**

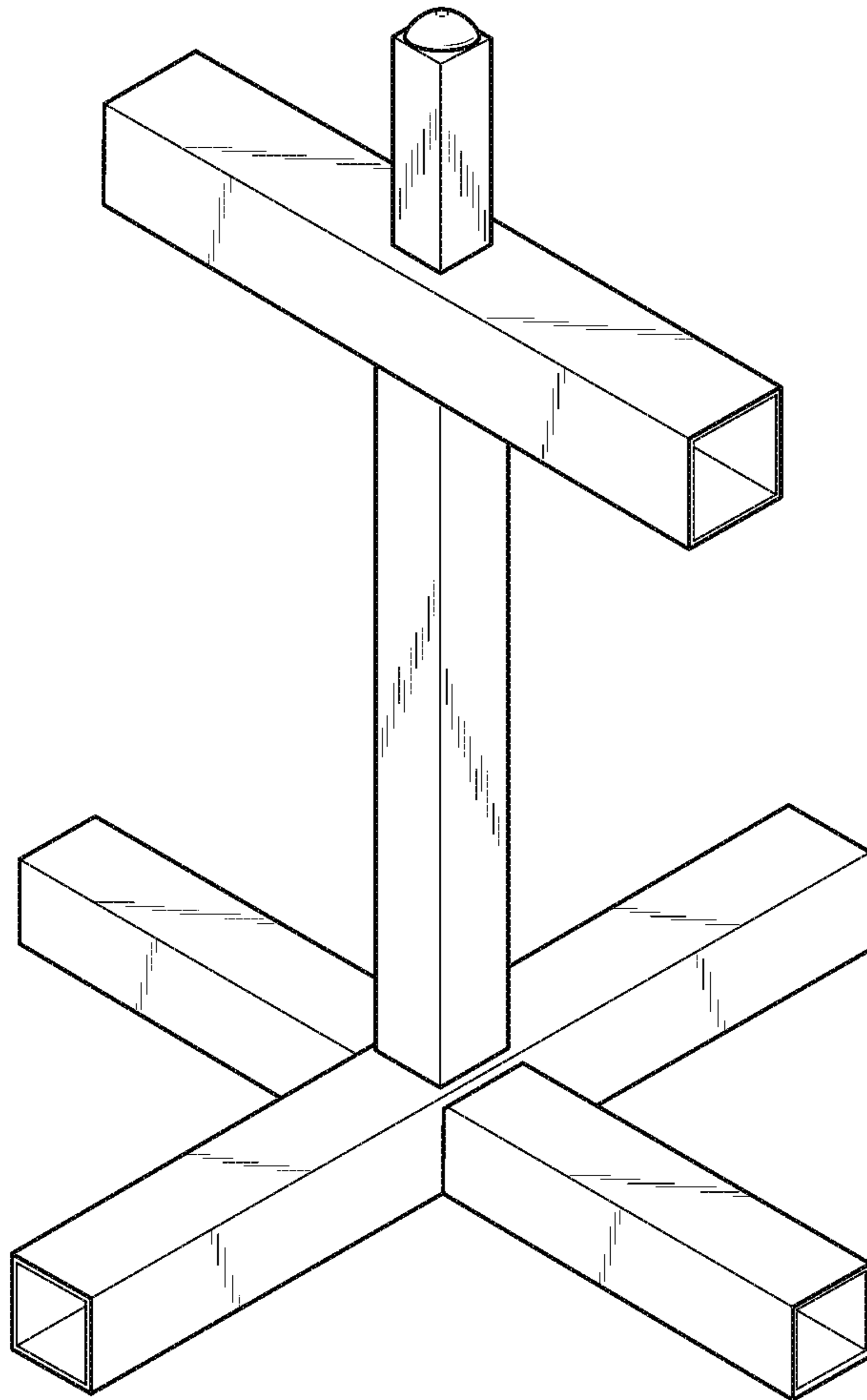
U.S. PATENT DOCUMENTS

2009/0071922 A1\* 3/2009 Barra ..... F16M 11/28  
211/85.3  
2012/0024808 A1\* 2/2012 Jackson ..... D06F 57/04  
211/85.7  
2014/0158652 A1\* 6/2014 Dubose ..... A63B 71/0045  
211/85.7

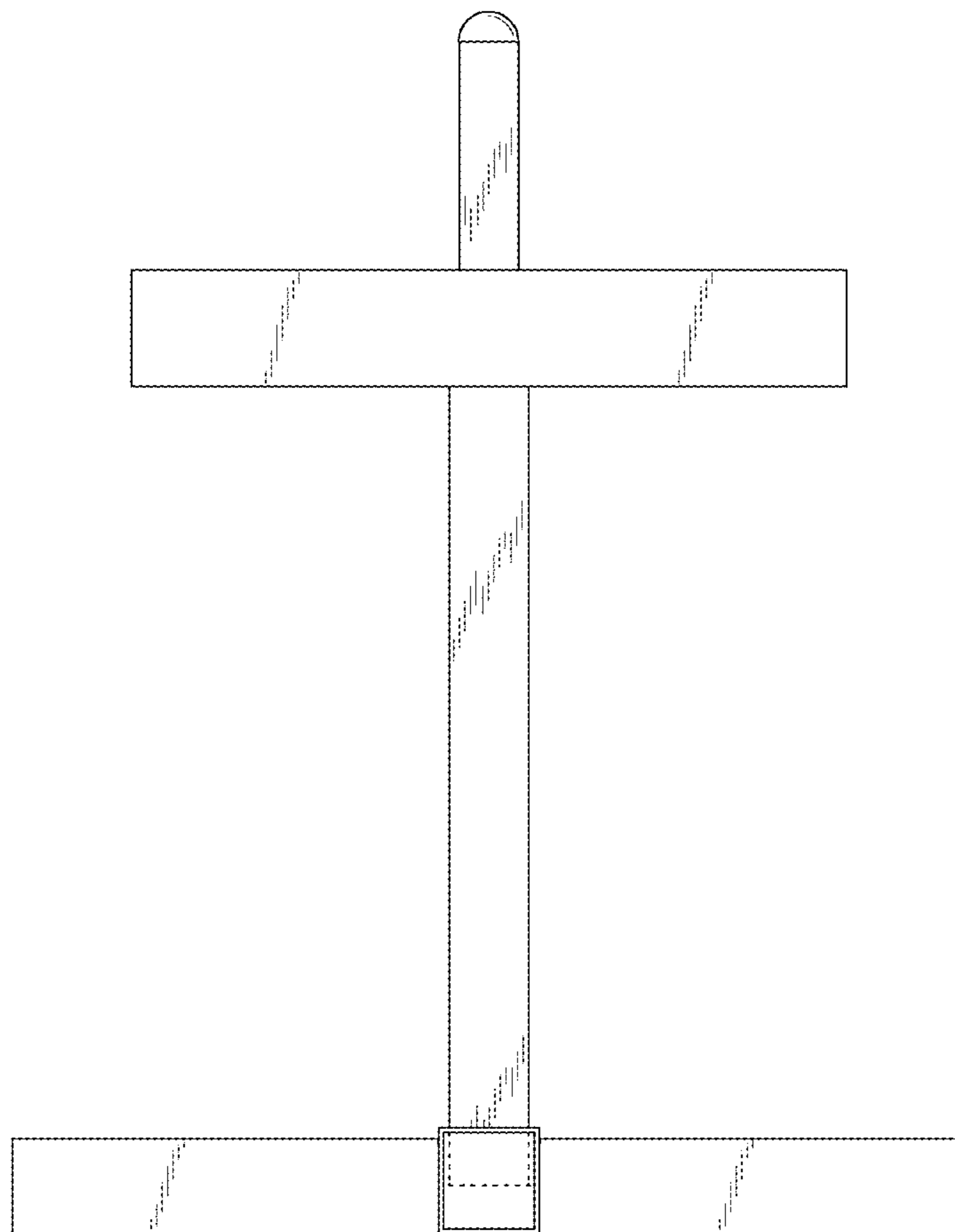
OTHER PUBLICATIONS

“How to Build a Tactical Gear Stand”, Oct. 13, 2009 published, Jun.  
20, 2016 Accessed, URL: <http://www.itstactical.com/>.

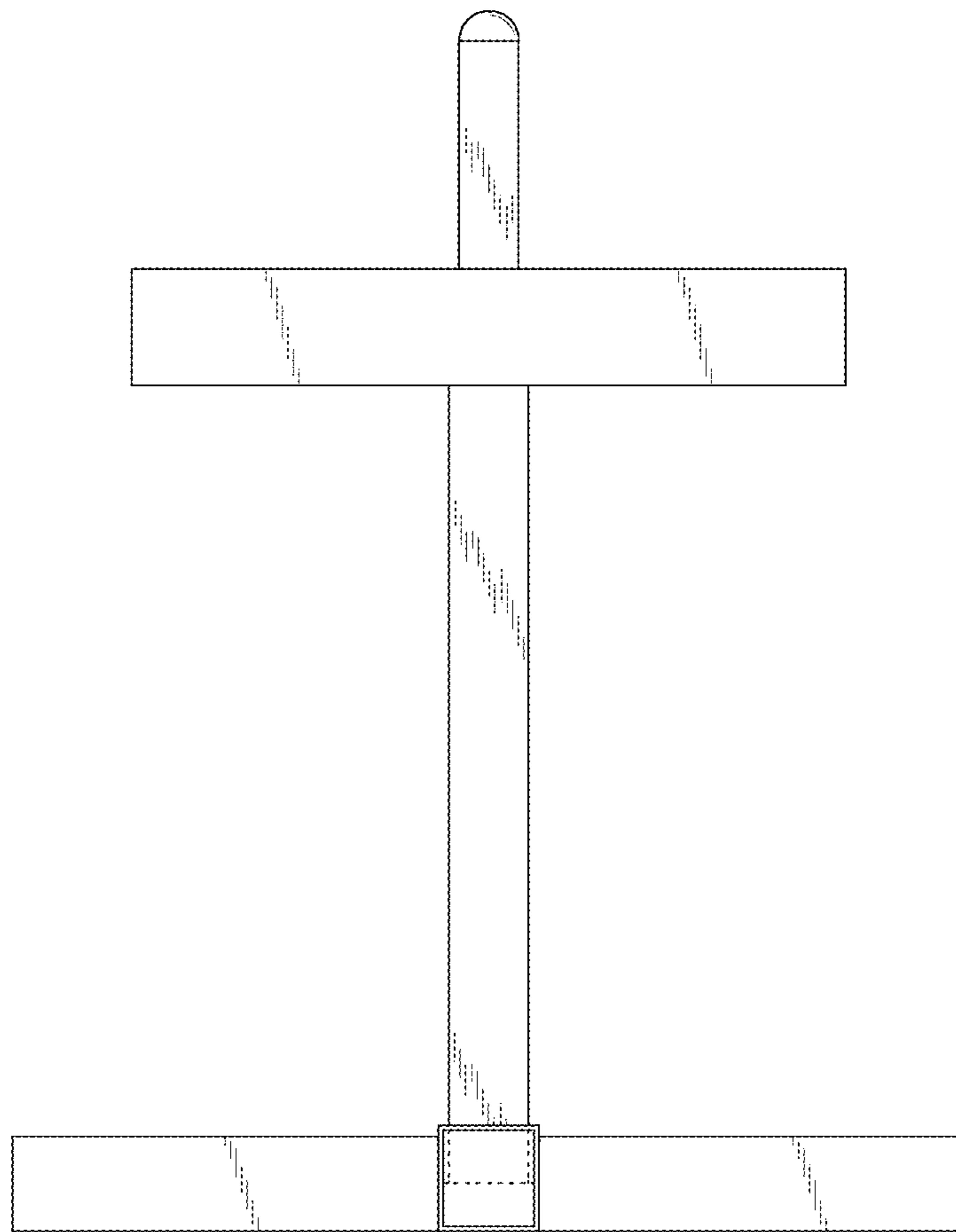
\* cited by examiner



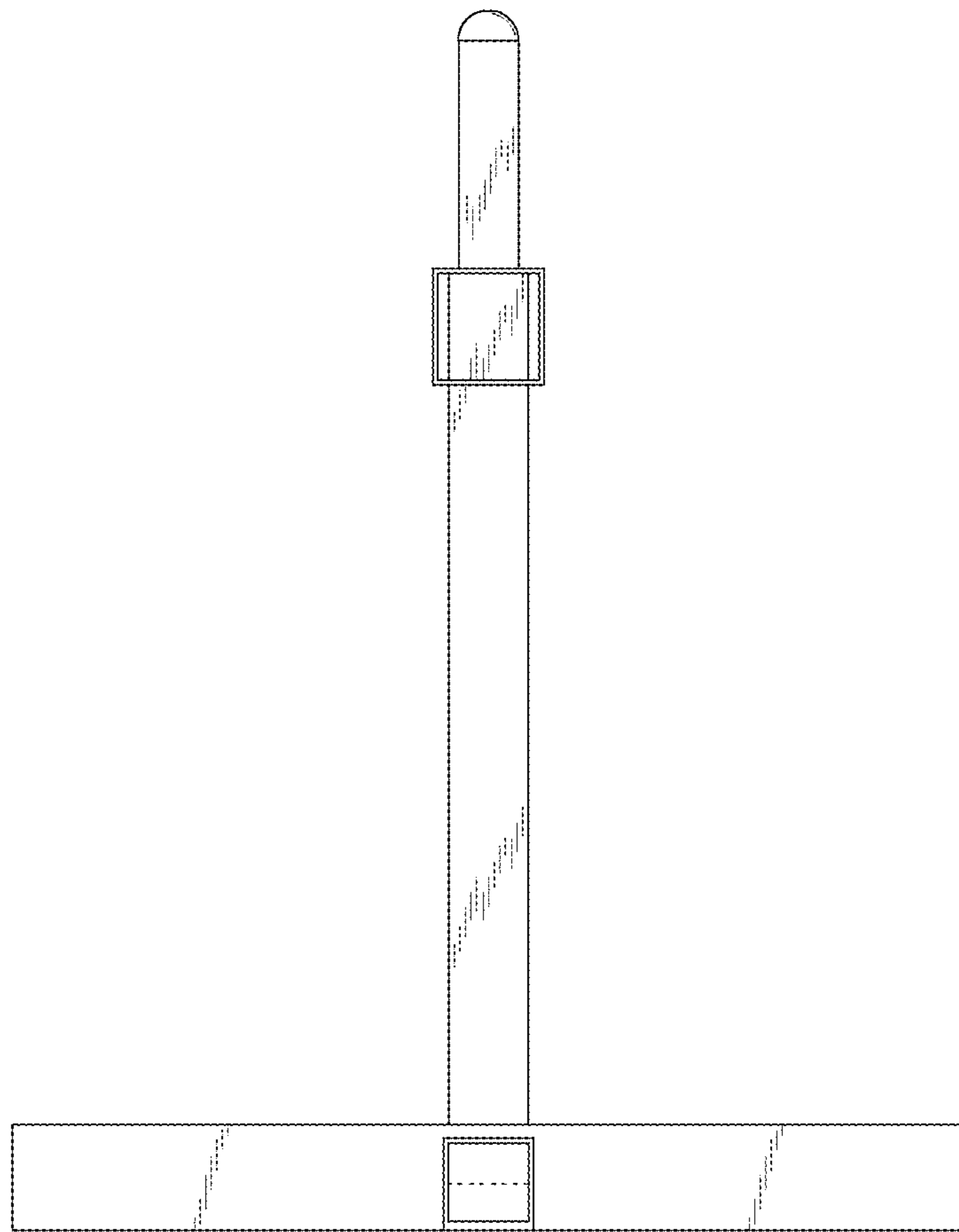
*Fig. 1*



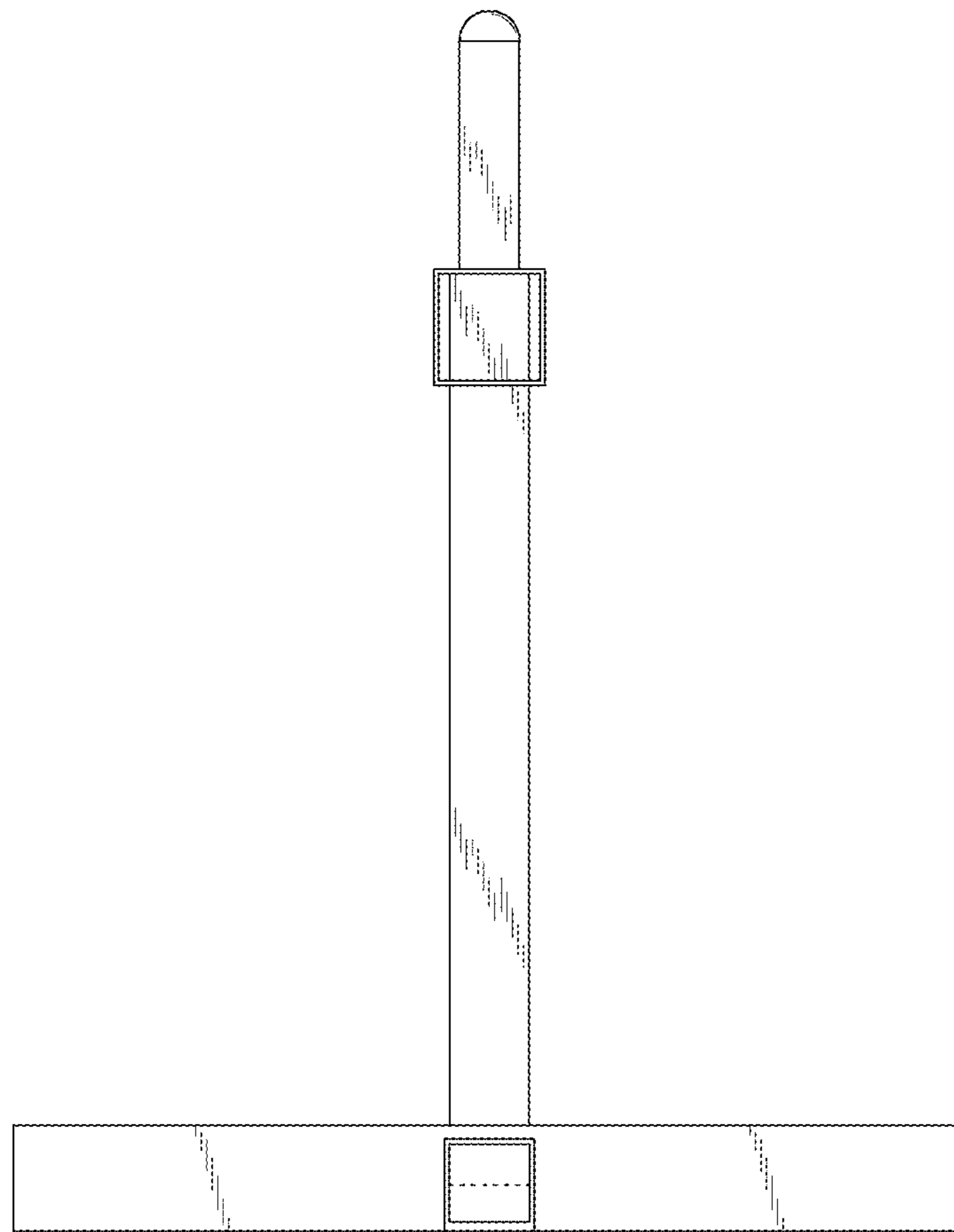
*Fig. 2*



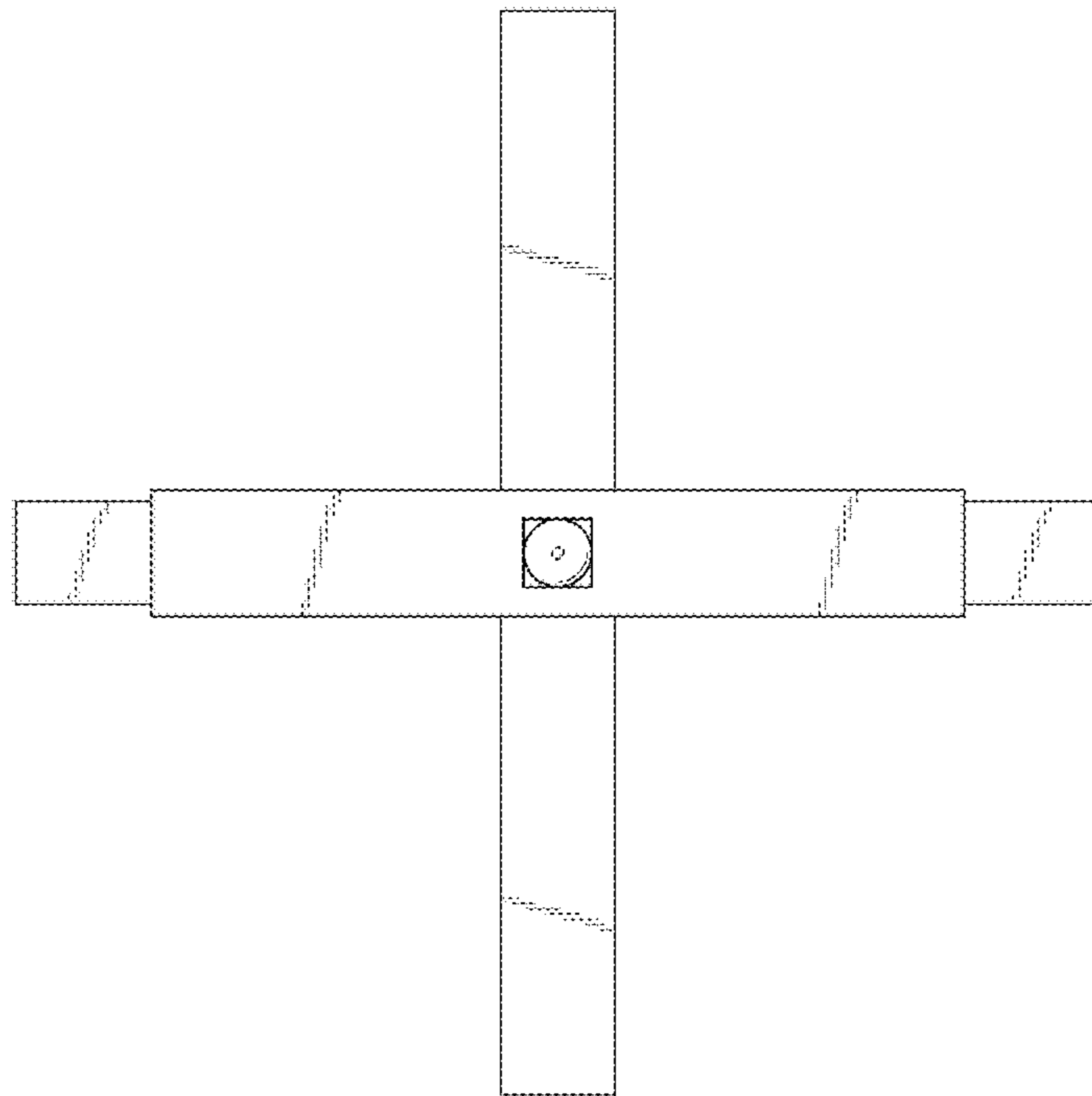
*Fig. 3*



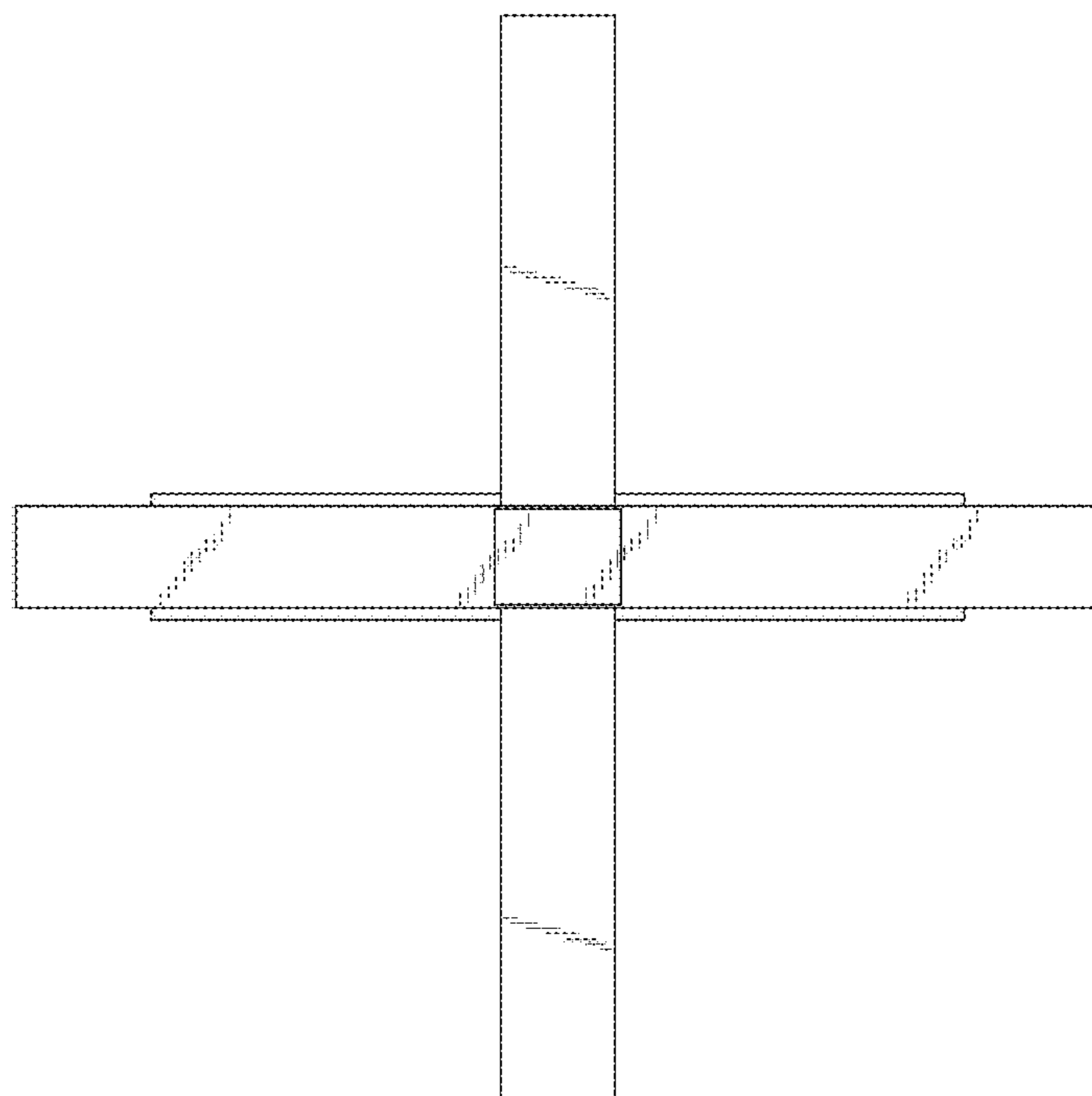
*Fig. 4*



*Fig. 5*



*Fig. 6*



*Fig. 7*