

US00D812939S

(12) **United States Design Patent** (10) **Patent No.:** **US D812,939 S**
Modlin (45) **Date of Patent:** **** Mar. 20, 2018**

(54) **TRANSPARENT DISPLAY CASE**

21/022; B65D 23/12; B65D 88/08; B65D 90/024; B65D 90/08; B65G 51/06

See application file for complete search history.

(71) Applicant: **MMMG, LLC**, Culver City, CA (US)

(72) Inventor: **Andrew Modlin**, West Hollywood, CA (US)

(56) **References Cited**

U.S. PATENT DOCUMENTS

(73) Assignee: **MMMC, LLC**, Culver City, CA (US)

(**) Term: **15 Years**

(21) Appl. No.: **29/595,643**

(22) Filed: **Mar. 1, 2017**

D228,114 S *	8/1973	Delarosa	D7/542
D347,359 S *	5/1994	Robbins, III	D7/512
D515,928 S *	2/2006	Pace	D9/504
D560,495 S *	1/2008	Mettler	D28/91
D592,956 S *	5/2009	Thiellier	D28/82
D630,949 S *	1/2011	Lim	D9/690
D660,693 S *	5/2012	Berggren	D9/421
D664,840 S *	8/2012	Jones	D9/423
D696,948 S *	1/2014	Kim	D9/454
D703,537 S *	4/2014	Vogel	D7/630
D731,672 S *	6/2015	Kuroda	D24/224
D746,156 S *	12/2015	Bondioli	D9/772
D756,226 S *	5/2016	In	D9/504

(Continued)

Related U.S. Application Data

(63) Continuation-in-part of application No. 29/574,663, filed on Aug. 17, 2016.

(51) **LOC (11) Cl.** **20-02**

(52) **U.S. Cl.**
USPC **D6/677**; D9/504

(58) **Field of Classification Search**

USPC D6/300, 301, 314, 552, 661, 668, 672, D6/673, 675, 678, 680.2, 682, 682.1, 683; D9/418, 421, 423, 428, 432, 436, 445, D9/454, 503, 504, 668, 690, 772; D3/304, 315; D15/79, 81; D19/76; D26/51, 118; D30/101; D20/10; D99/5, D99/17; 206/315.1, 315.9, 777; D21/686; 362/612; 211/64; D28/82, 83, D28/85, 91; 312/111; D7/354, 396.2, D7/512, 542, 608, 629, 630; 222/480; D24/224

CPC A61G 17/00; A63B 22/0605; A47F 3/00; A47F 3/08; A47F 3/004; A47F 7/0057; A47F 2007/0092; A47F 3/10; B65D

OTHER PUBLICATIONS

The Kind Land [online] found on Nov. 17, 2017 from URL <https://www.thekindland.com/products/16-photos-and-a-few-hundred-words-from-the-apple-1737> (Year: 2016).*

Primary Examiner — Vy N Koenig

Assistant Examiner — Keith J Wilson

(74) *Attorney, Agent, or Firm* — Kevin Schraven; Anooj Patel; Hankin Patent Law, APC

(57) **CLAIM**

The ornamental design for a transparent display case, as shown and described.

DESCRIPTION

FIG. 1 is a top perspective view of a transparent display case, showing my new design.

FIG. 2 is a bottom perspective view thereof.

FIG. 3 is a front elevational view thereof.

FIG. 4 is a rear elevational view thereof.

FIG. 5 is a right side elevational view thereof.

(Continued)

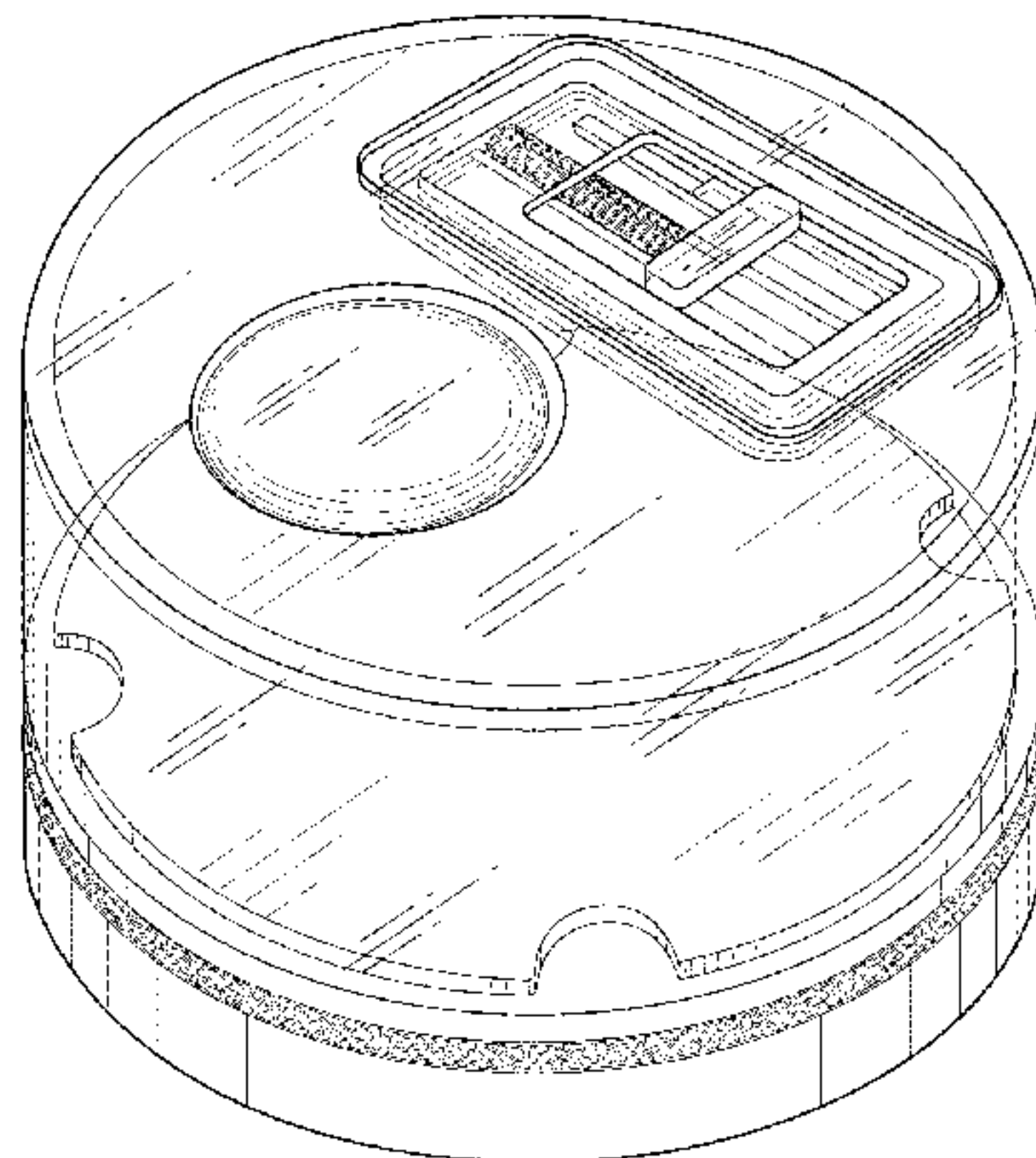


FIG. 6 is a left side elevational view thereof.
FIG. 7 is a top plan view thereof; and,
FIG. 8 is a bottom plan view thereof.

1 Claim, 8 Drawing Sheets

(56) **References Cited**

U.S. PATENT DOCUMENTS

D756,790 S *	5/2016	Henriksson	D9/504
D758,847 S *	6/2016	Stuart	D9/428
D769,079 S *	10/2016	Kotani	D7/608
D776,354 S *	1/2017	Schlatter	D28/85
D798,650 S *	10/2017	Joseph	D7/354
D800,511 S *	10/2017	Wong	D7/629
D802,362 S *	11/2017	Spivey	D7/396.2
D802,760 S *	11/2017	Neby	D24/130
2006/0278665 A1 *	12/2006	Bennett	A45D 33/16 222/480

* cited by examiner

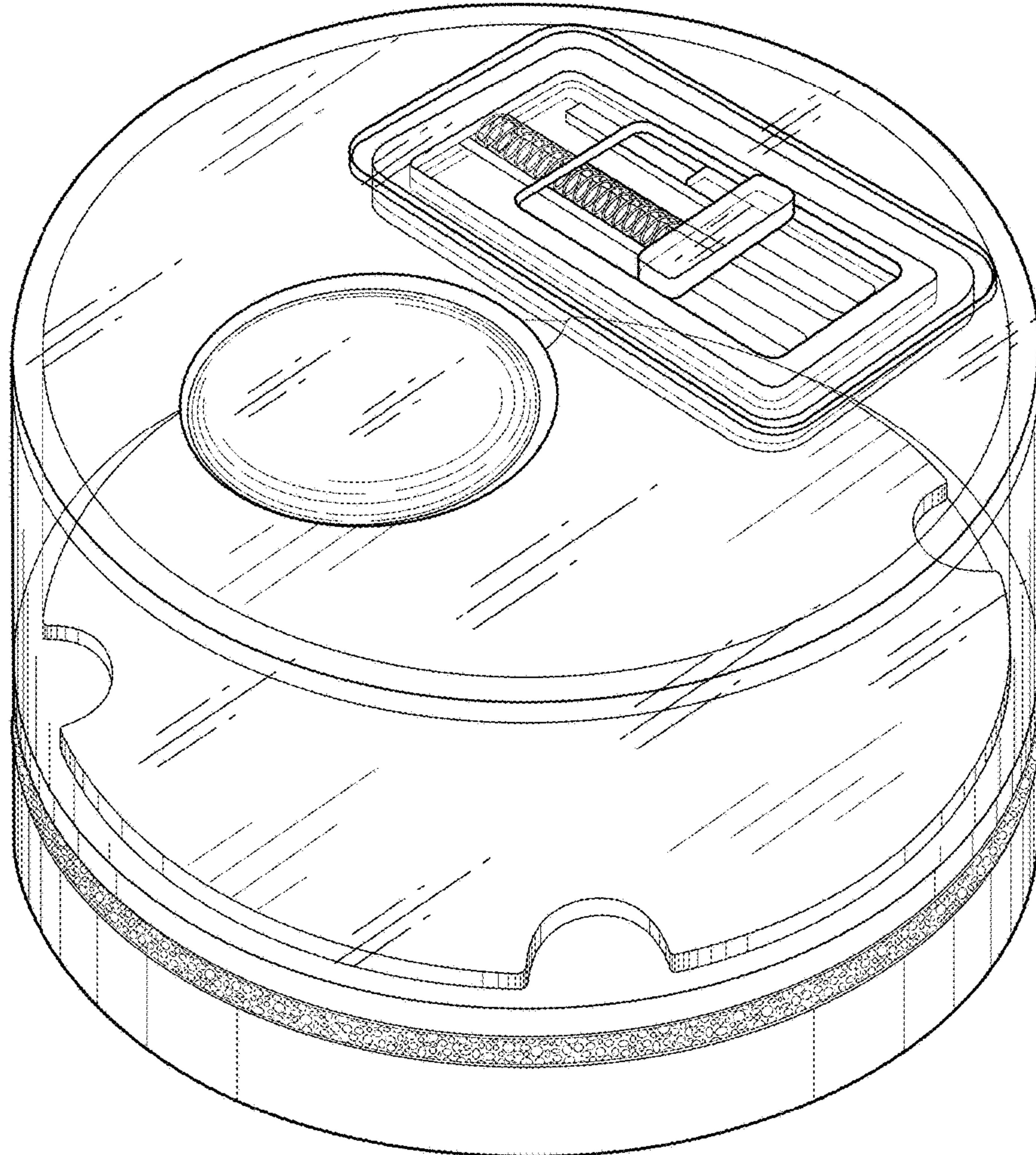


Fig. 1

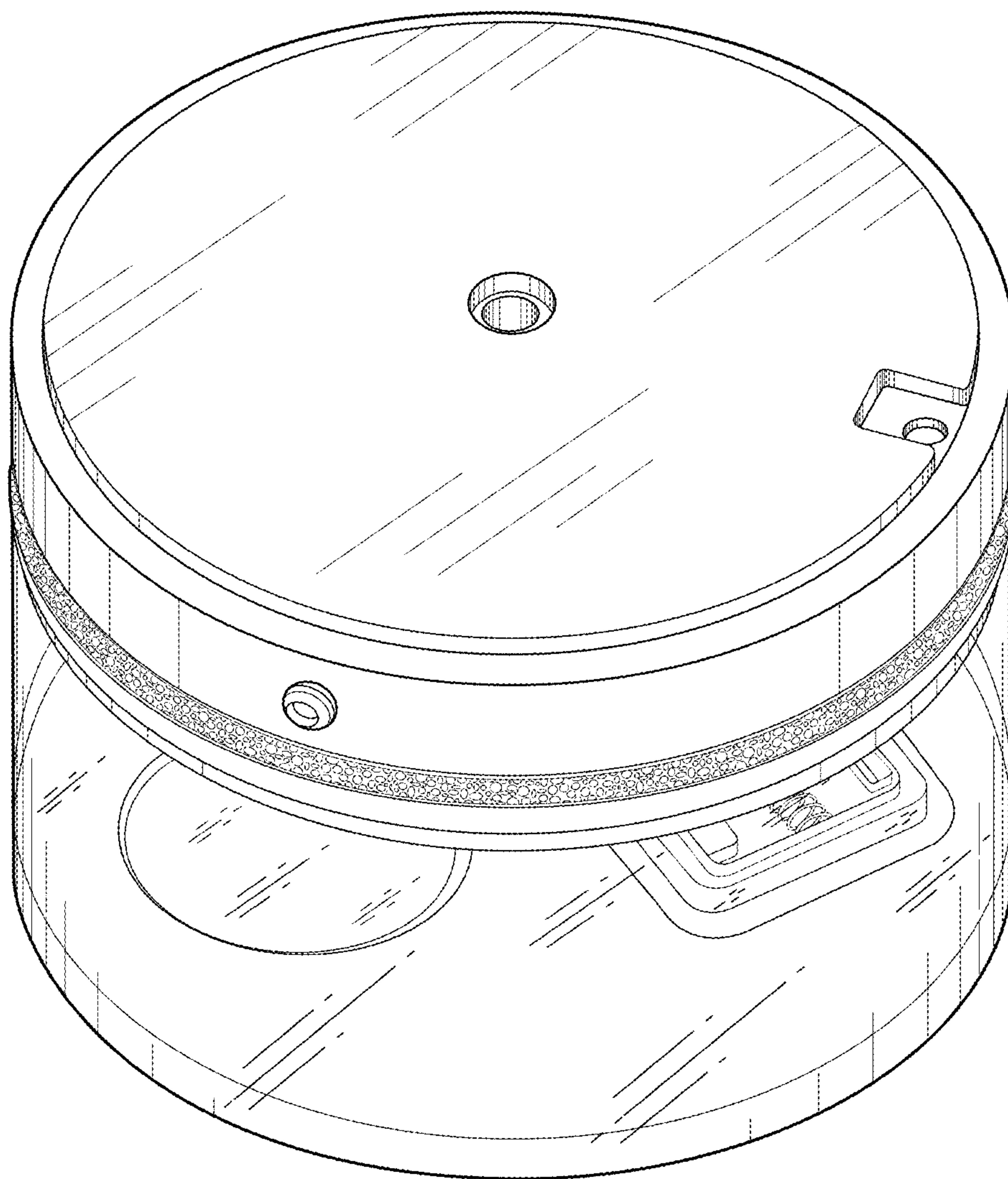


Fig.2

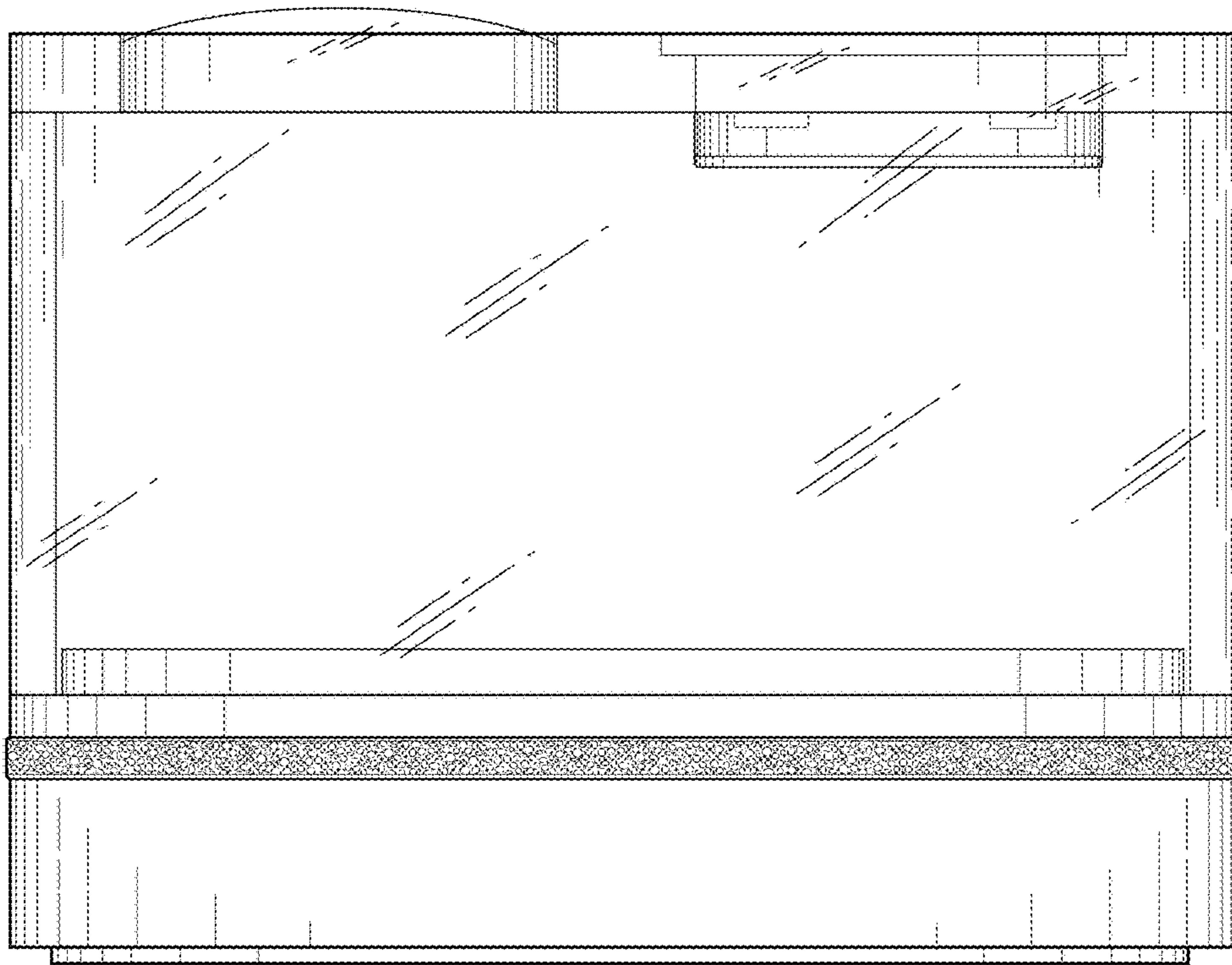


Fig.3

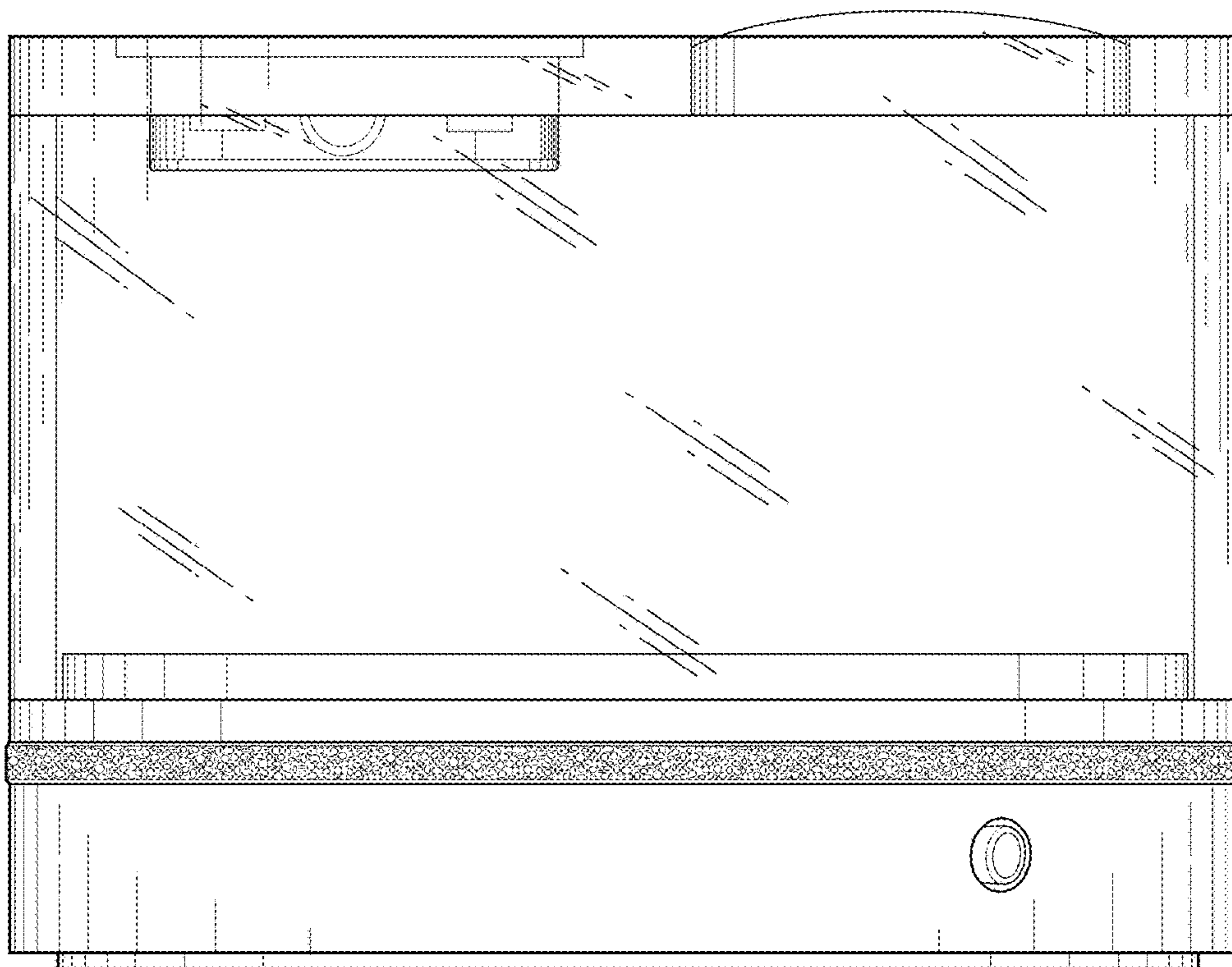


Fig.4

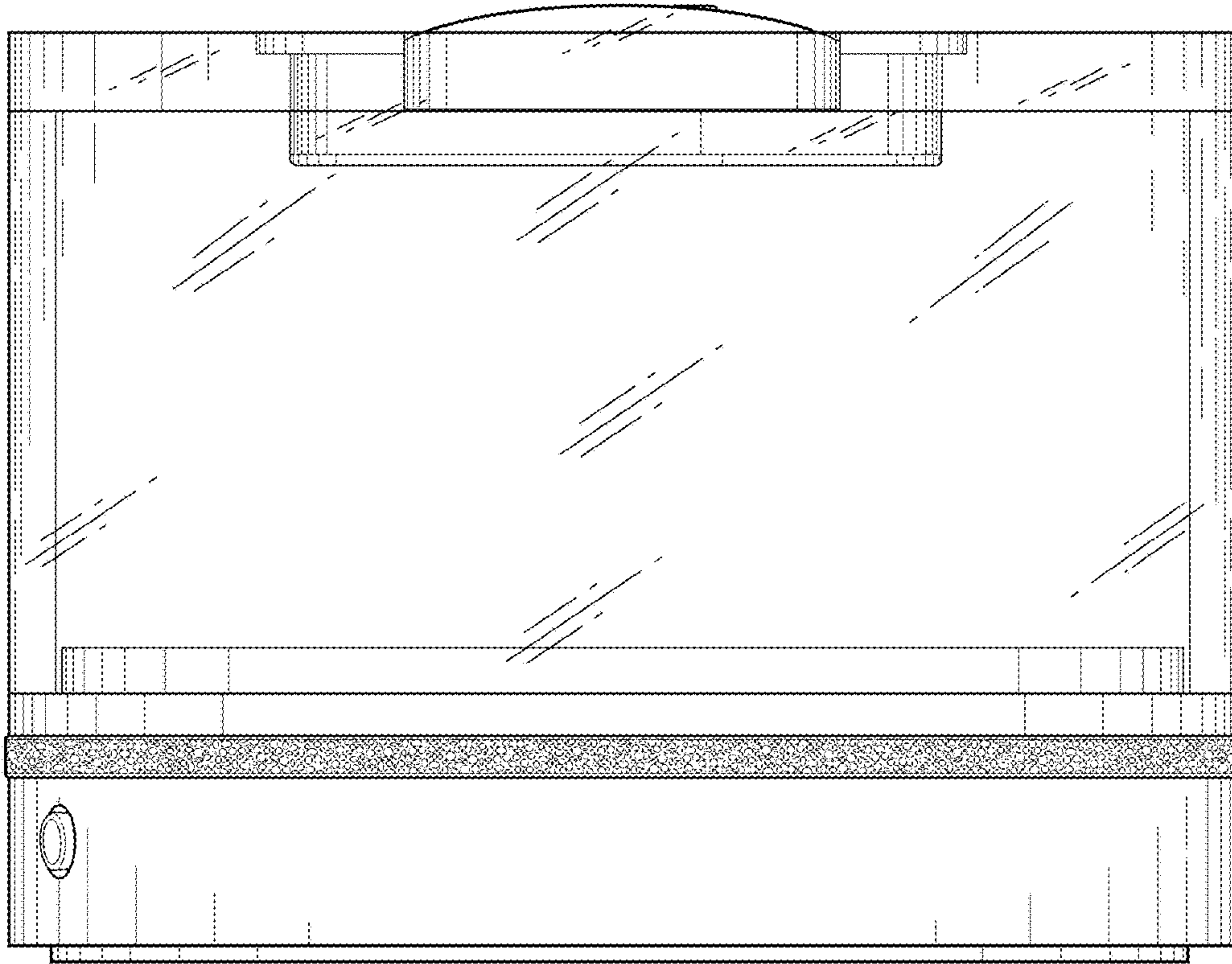


Fig.5

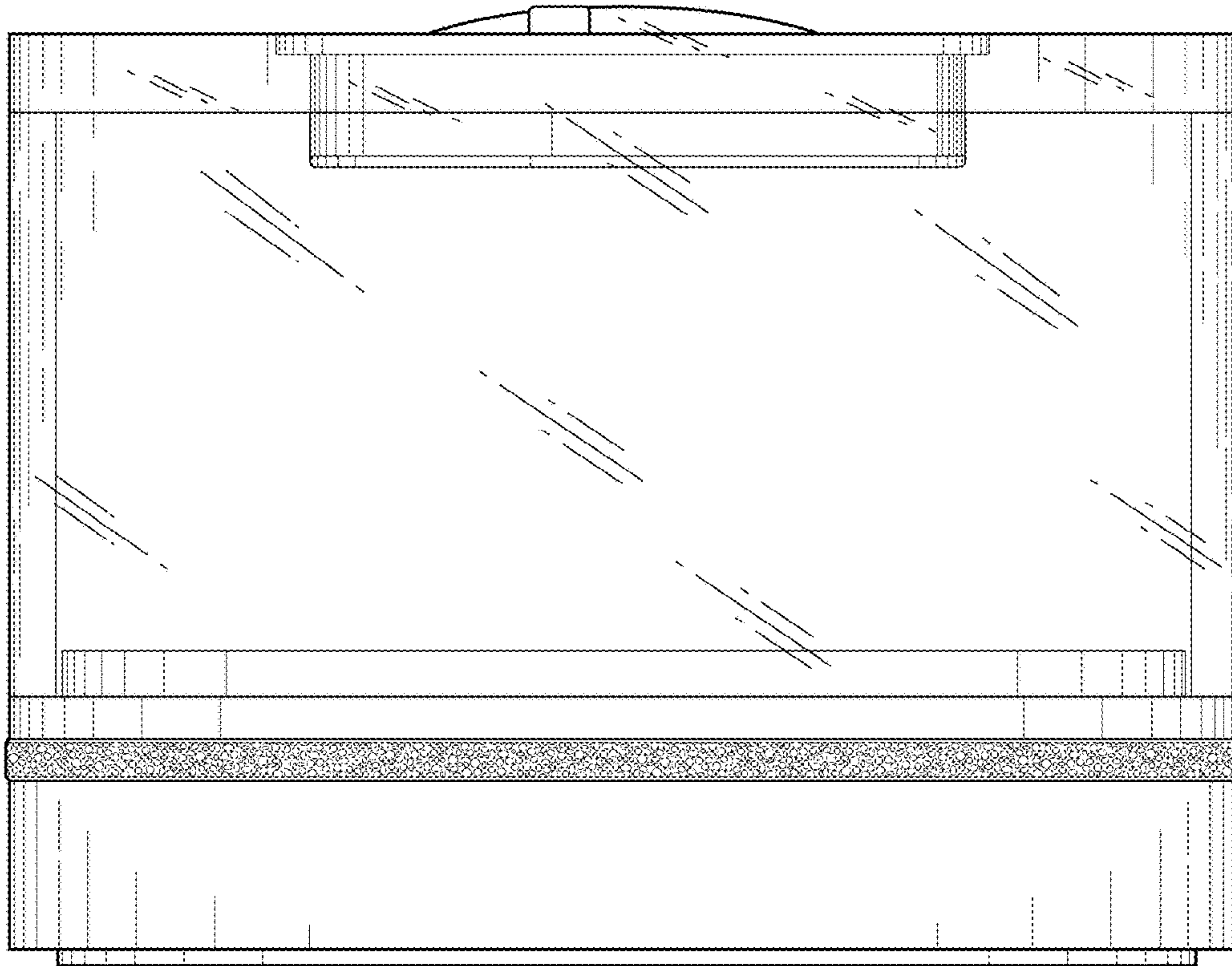


Fig.6

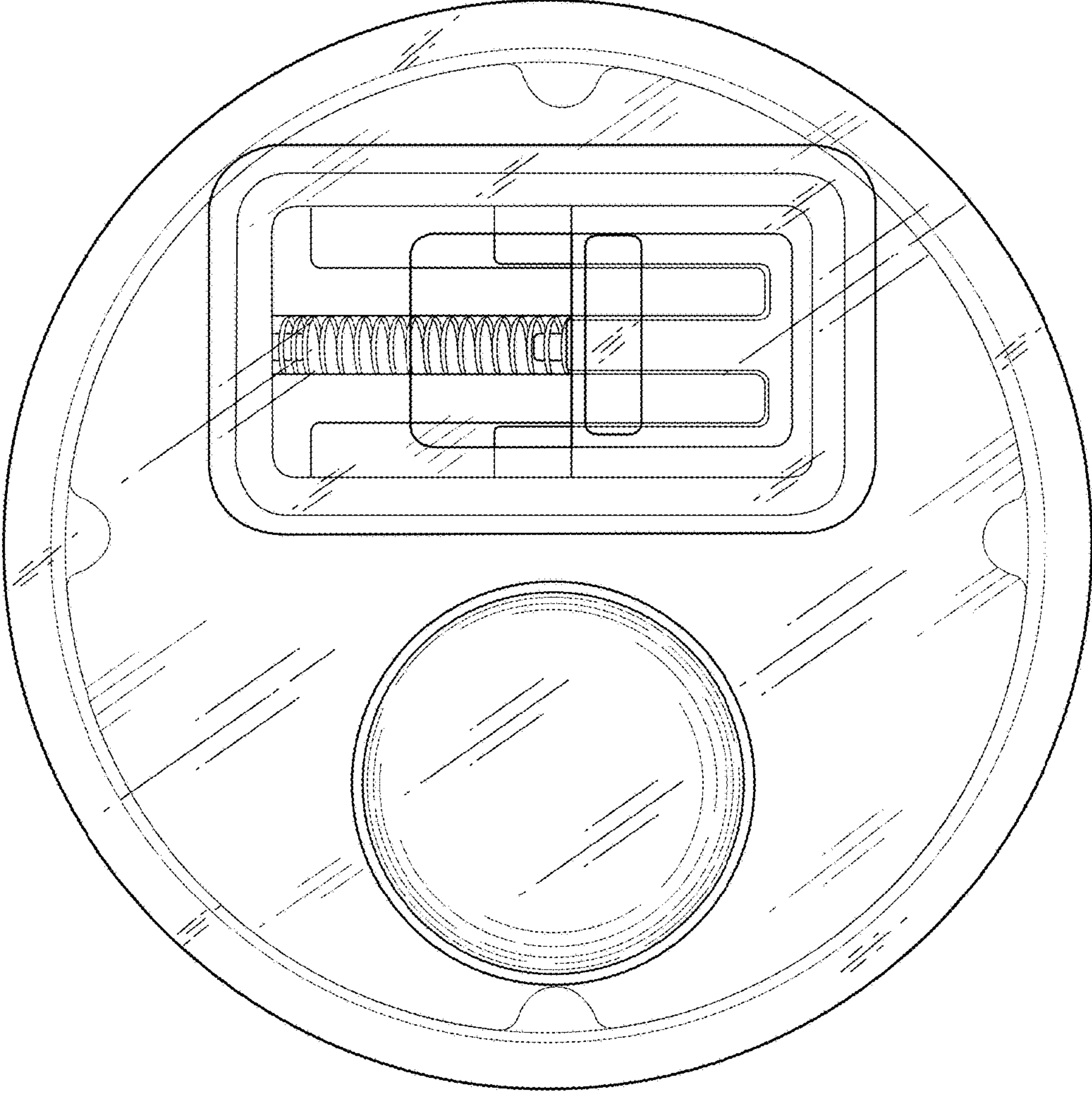


Fig. 7

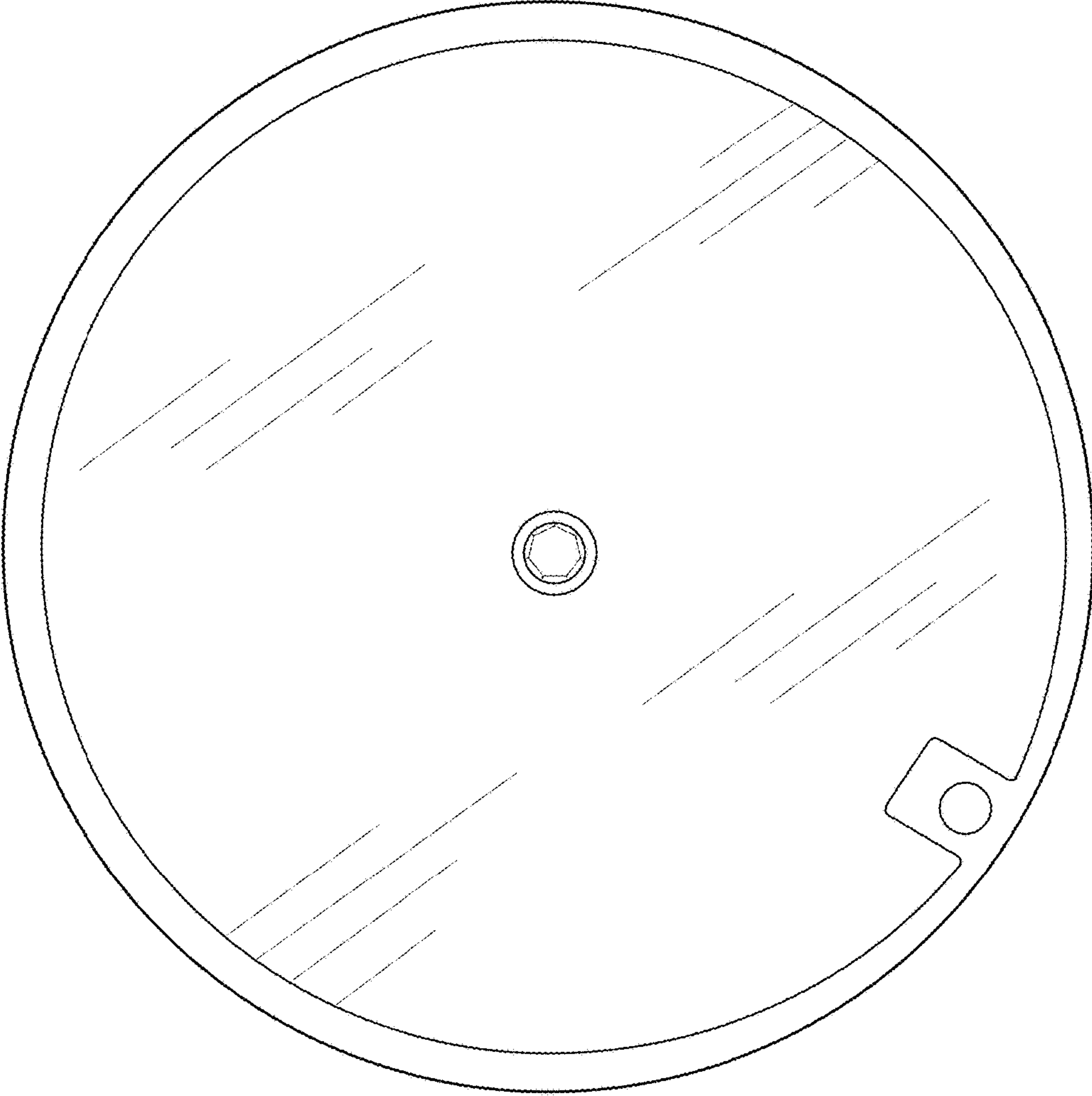


Fig.8