



US00D812938S

(12) **United States Design Patent**
Moore

(10) **Patent No.:** **US D812,938 S**
(45) **Date of Patent:** **** Mar. 20, 2018**

(54) **SHELF**
(71) Applicant: **Emmett Moore**, Coral Gable, FL (US)
(72) Inventor: **Emmett Moore**, Coral Gables, FL (US)
(**) Term: **15 Years**
(21) Appl. No.: **35/001,116**

D374,359 S * 10/1996 Liu D6/675.1
D477,160 S * 7/2003 Grosfillex D6/675.1
D496,809 S * 10/2004 Dardashti D6/675.1
D777,479 S * 1/2017 Anderson D6/675.1
2015/0282613 A1* 10/2015 Chen A47B 55/00
211/187
2016/0107046 A1* 4/2016 Krysiak A63B 41/08
473/605

(22) Filed: **Nov. 24, 2015**

* cited by examiner

(80) **Hague Agreement Data**

Int. Filing Date: **Nov. 24, 2015**
Int. Reg. No.: **DM/091963**
Int. Reg. Date: **Nov. 24, 2015**
Int. Reg. Pub. Date: **Aug. 19, 2016**

Primary Examiner — Mary Ann Calabrese

(74) *Attorney, Agent, or Firm* — Lott & Fischer, PL

(51) **LOC (11) Cl.** **06-04**

(57) **CLAIM**

The ornamental design for shelf, as shown and described.

(52) **U.S. Cl.**

USPC **D6/675.1; D6/674**

(58) **Field of Classification Search**

USPC ... D6/552, 672-675, 675.1, 702, 705, 705.1,
D6/705.2, 707, 707.19, 707.23; D21/713
CPC A47B 47/00; A47B 47/021; A47B 47/22;
A47B 47/024; A47B 47/03; A47B 55/00;
A47F 5/00; A47F 5/0043; A47F 7/00
See application file for complete search history.

DESCRIPTION

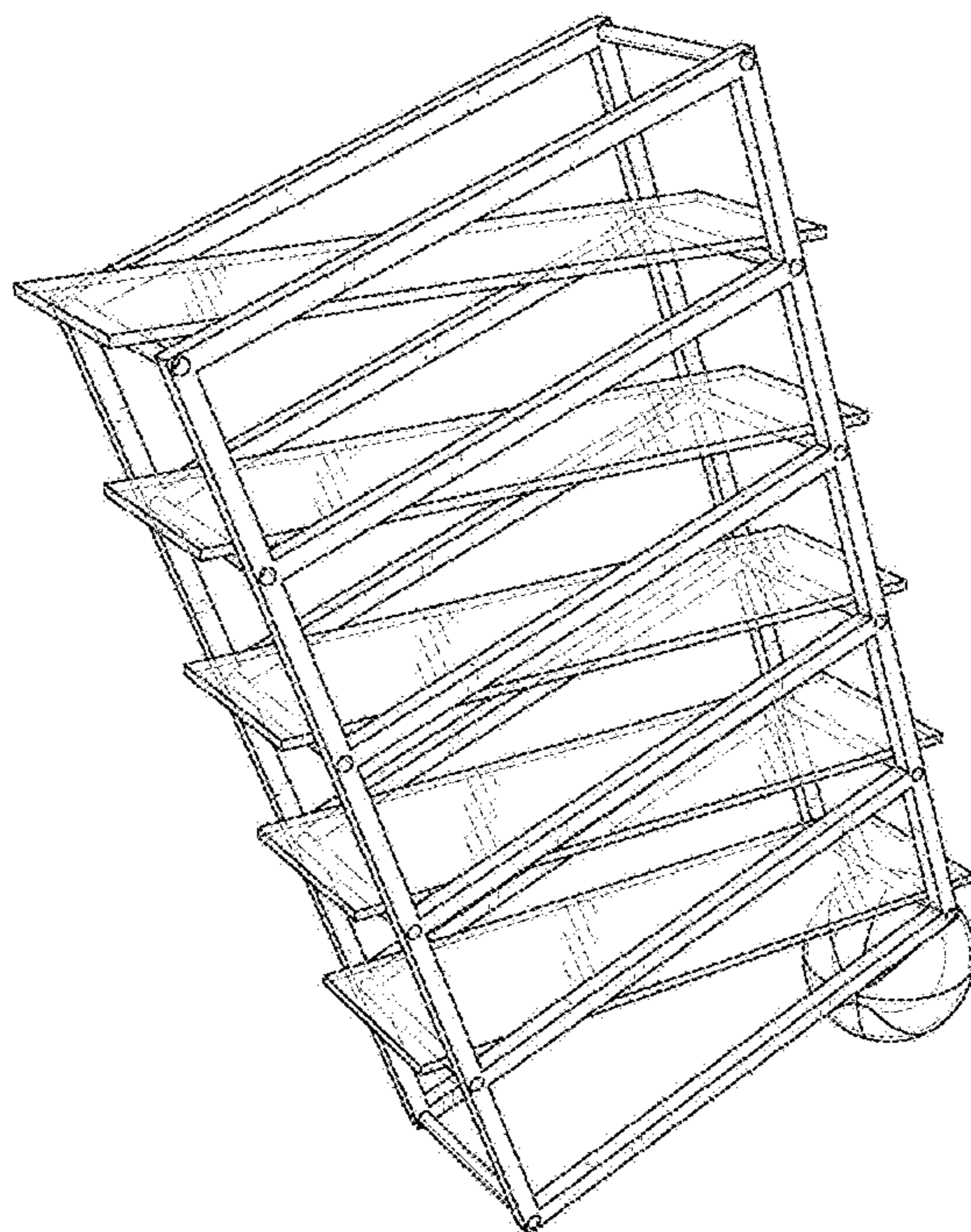
- 2. Shelf
- 2.1 : Perspective
- 2.2 : Front
- 2.3 : Back
- 2.4 : Left
- 2.5 : Right
- 2.6 : Top
- 2.7 : Bottom

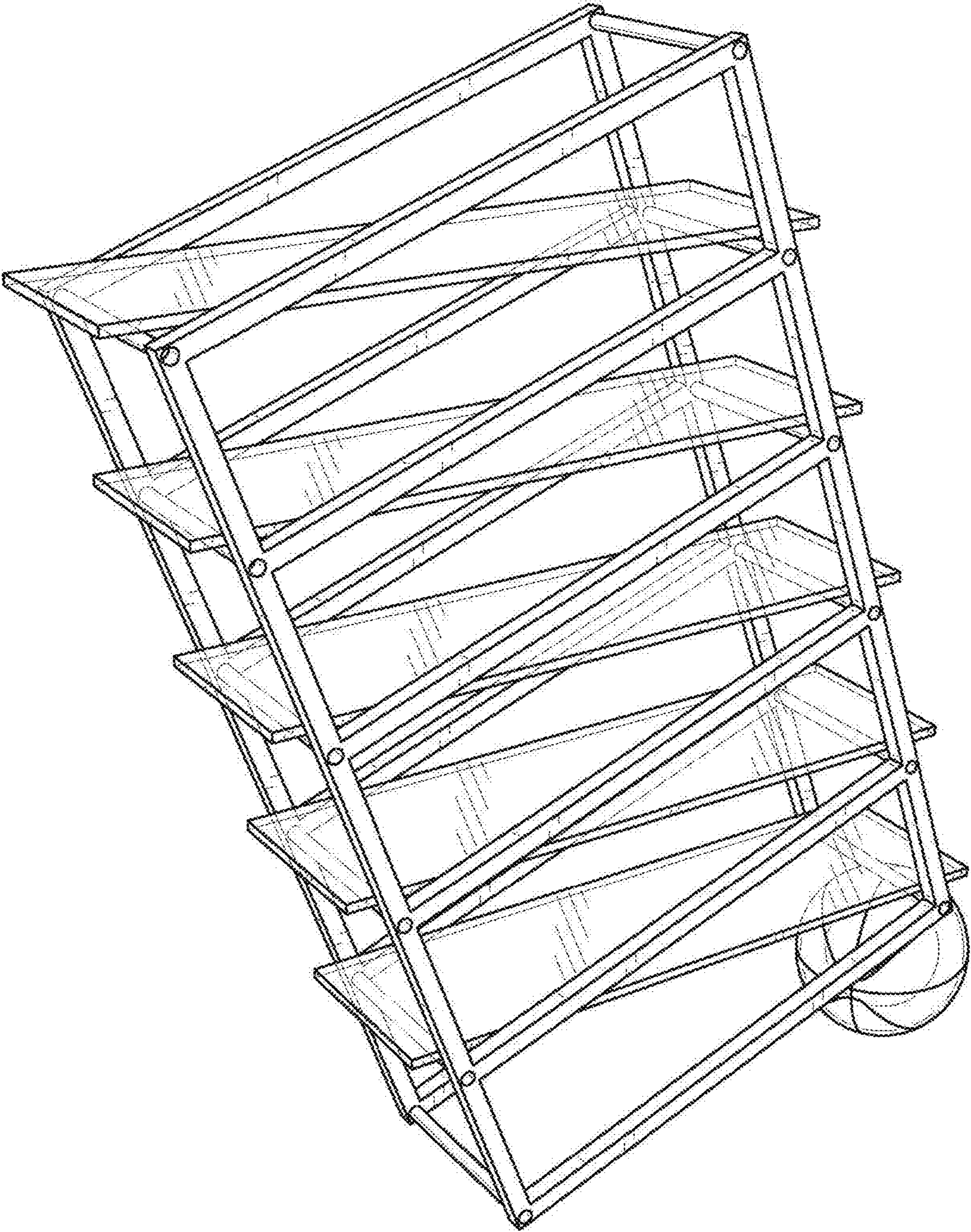
(56) **References Cited**

U.S. PATENT DOCUMENTS

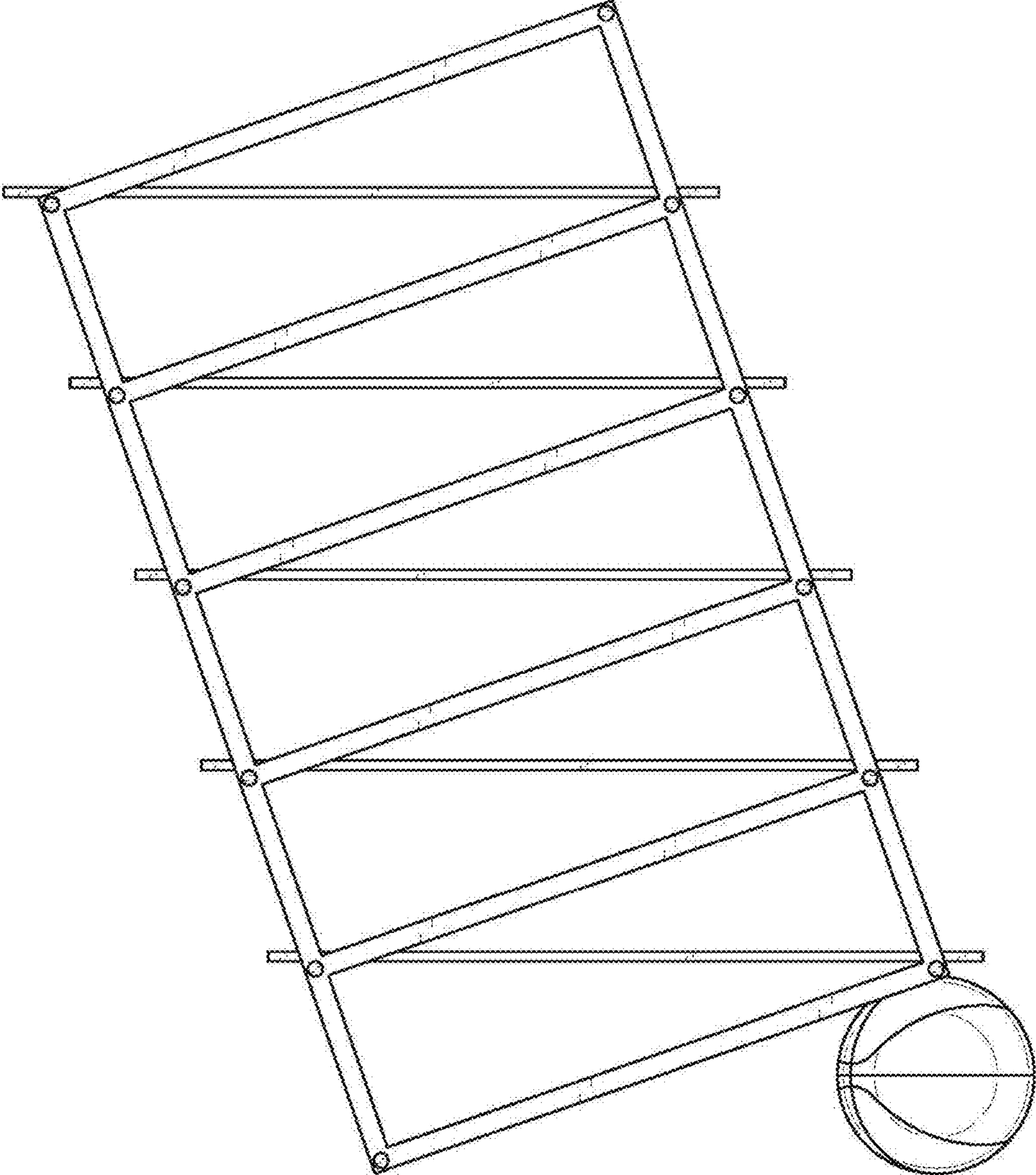
3,170,418 A * 2/1965 Gruenstein A47F 5/14
108/101
D364,292 S * 11/1995 Good D6/675.1

1 Claim, 7 Drawing Sheets

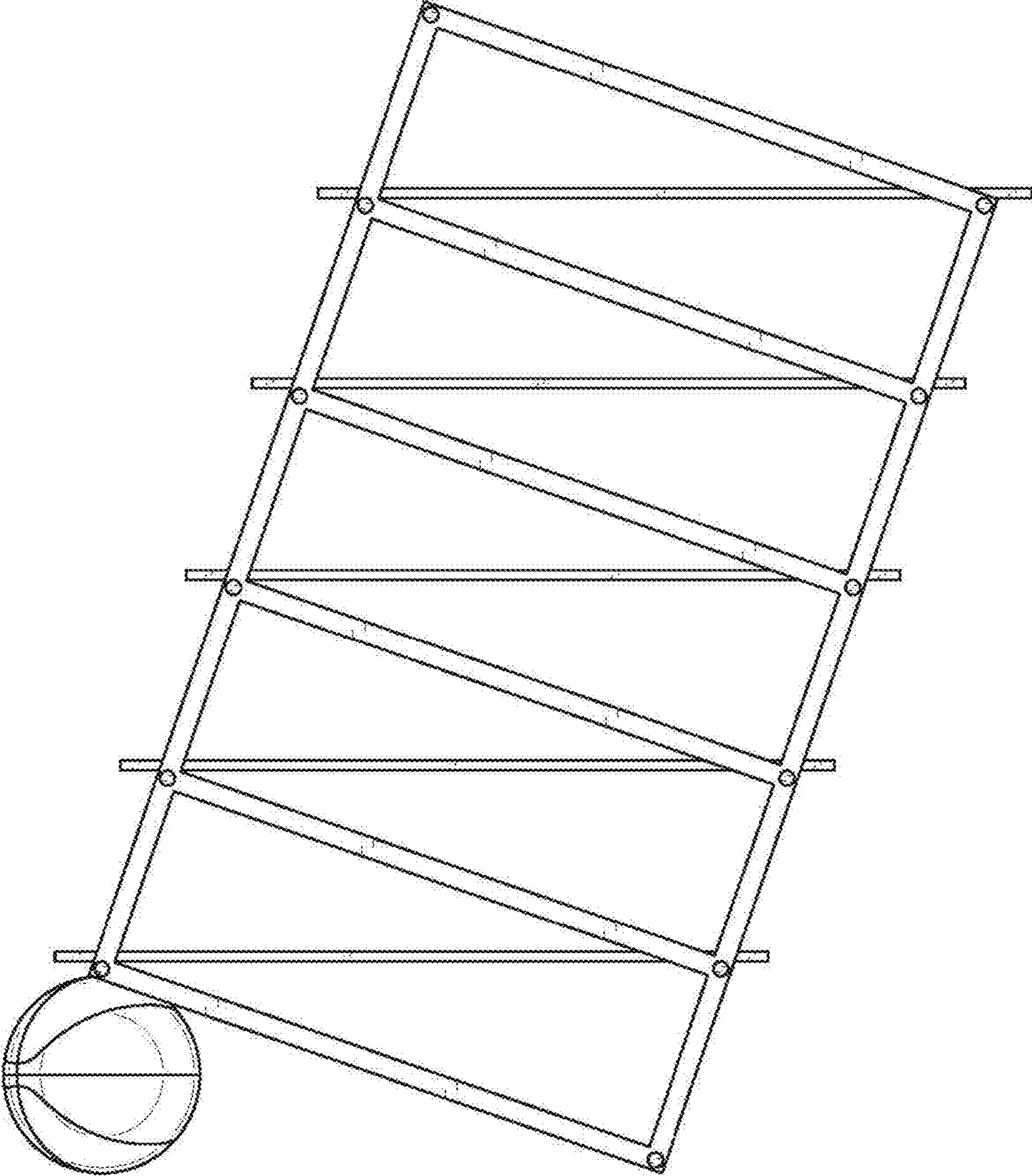




2.1



2.2



2.3

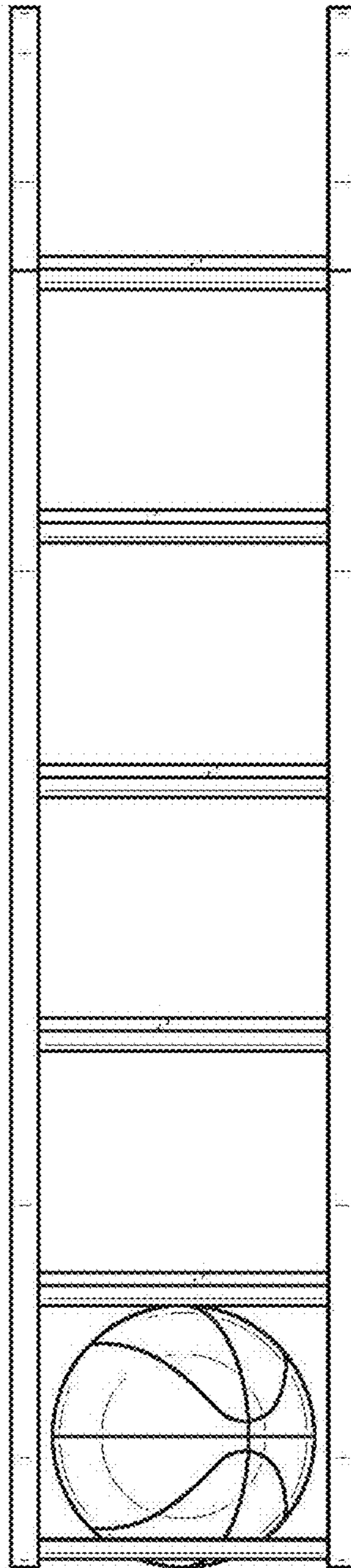
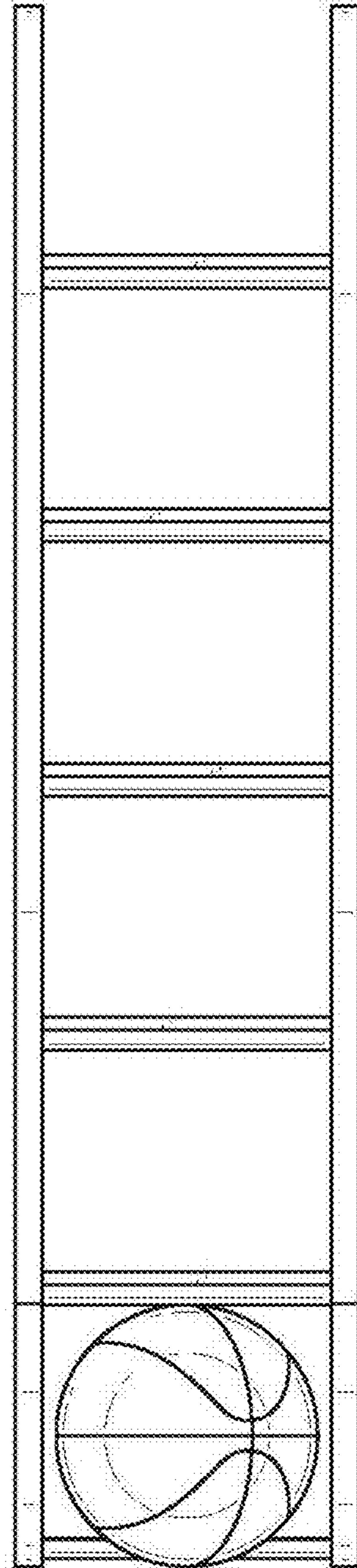
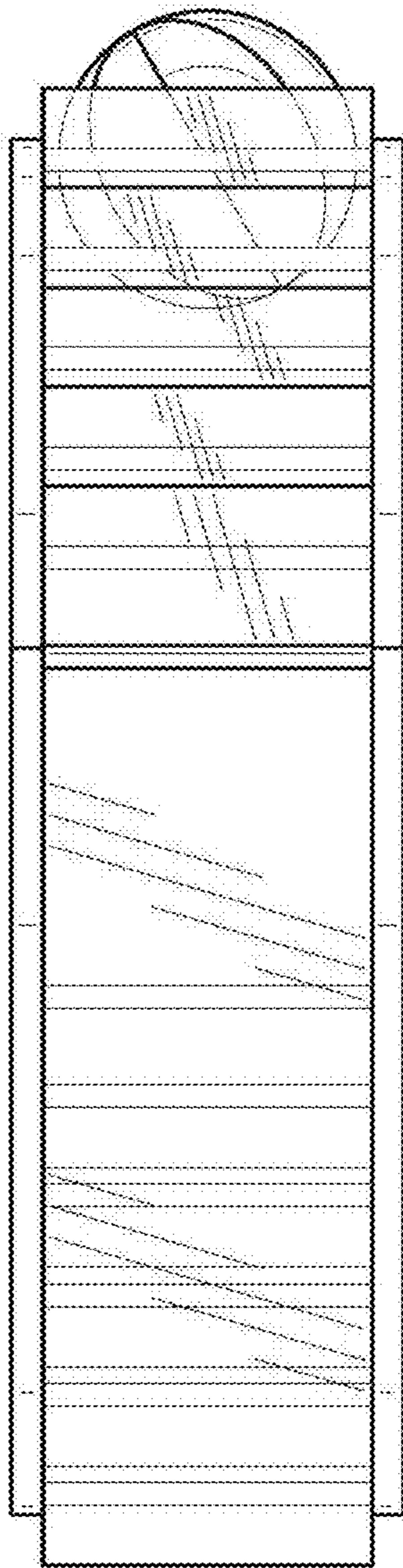


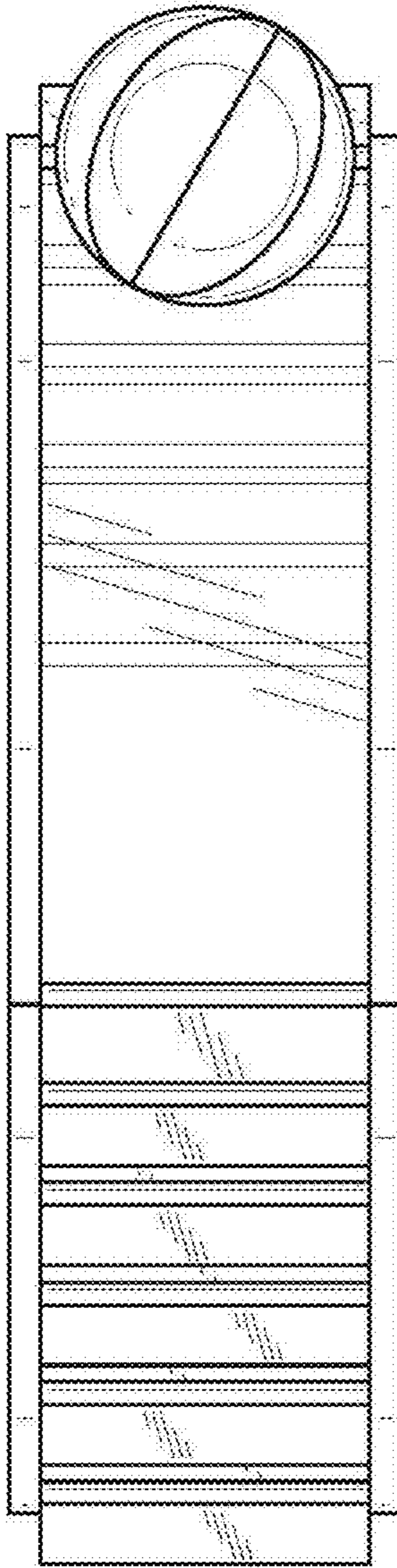
FIG. 2.4



2.5



2.6



2.7