



US00D812936S

(12) **United States Design Patent**
Bruegmann

(10) **Patent No.:** **US D812,936 S**
(45) **Date of Patent:** **** Mar. 20, 2018**

(54) **HANGER FOR RETAIL PRODUCTS**

(71) Applicant: **Bruegmann USA, Inc.**, Houston, TX (US)

(72) Inventor: **Malte Bruegmann**, Houston, TX (US)

(73) Assignee: **Bruegmann USA, Inc.**, Houston, TX (US)

(**) Term: **15 Years**

(21) Appl. No.: **29/534,658**

(22) Filed: **Jul. 30, 2015**

Related U.S. Application Data

(63) Continuation of application No. 13/857,296, filed on Apr. 5, 2013, now abandoned.

(51) **LOC (11) Cl.** **06-04**

(52) **U.S. Cl.**
USPC **D6/672; D8/373**

(58) **Field of Classification Search**
USPC D6/323, 325, 672, 675.1, 680.2, 680.3, D6/681, 682.2, 513, 544
CPC A47B 96/027; A47B 95/008; A47B 81/04; A47F 1/128; A47F 5/0006; A47F 5/0807; A47F 5/0846; A47F 5/0892; A47F 5/0093
See application file for complete search history.

(56) **References Cited**

U.S. PATENT DOCUMENTS

- 2,286,831 A * 6/1942 Ressinger A47F 5/01 211/181.1
- 4,367,819 A * 1/1983 Lewis A47F 5/0876 211/106.01
- D297,284 S * 8/1988 Campbell D6/315
- D320,713 S * 10/1991 Greenhut D6/513
- D325,488 S * 4/1992 Sheriff D6/553
- D331,500 S * 12/1992 Davati D6/315

- D367,574 S * 3/1996 Werner D6/514
- D378,219 S * 2/1997 Marshlack D19/65
- D384,231 S * 9/1997 Burns D6/514
- D401,434 S * 11/1998 Meteer D26/51
- D416,733 S * 11/1999 Reeves D6/513
- 6,070,747 A * 6/2000 Shea A47F 5/0807 211/103
- 6,145,675 A * 11/2000 Kass A47F 5/0006 211/71.01
- 6,202,866 B1 * 3/2001 Shea A47F 5/0006 211/103

(Continued)

Primary Examiner — John Windmuller

Assistant Examiner — Steven Czyz

(74) *Attorney, Agent, or Firm* — Richard A. Fagin

(57) **CLAIM**

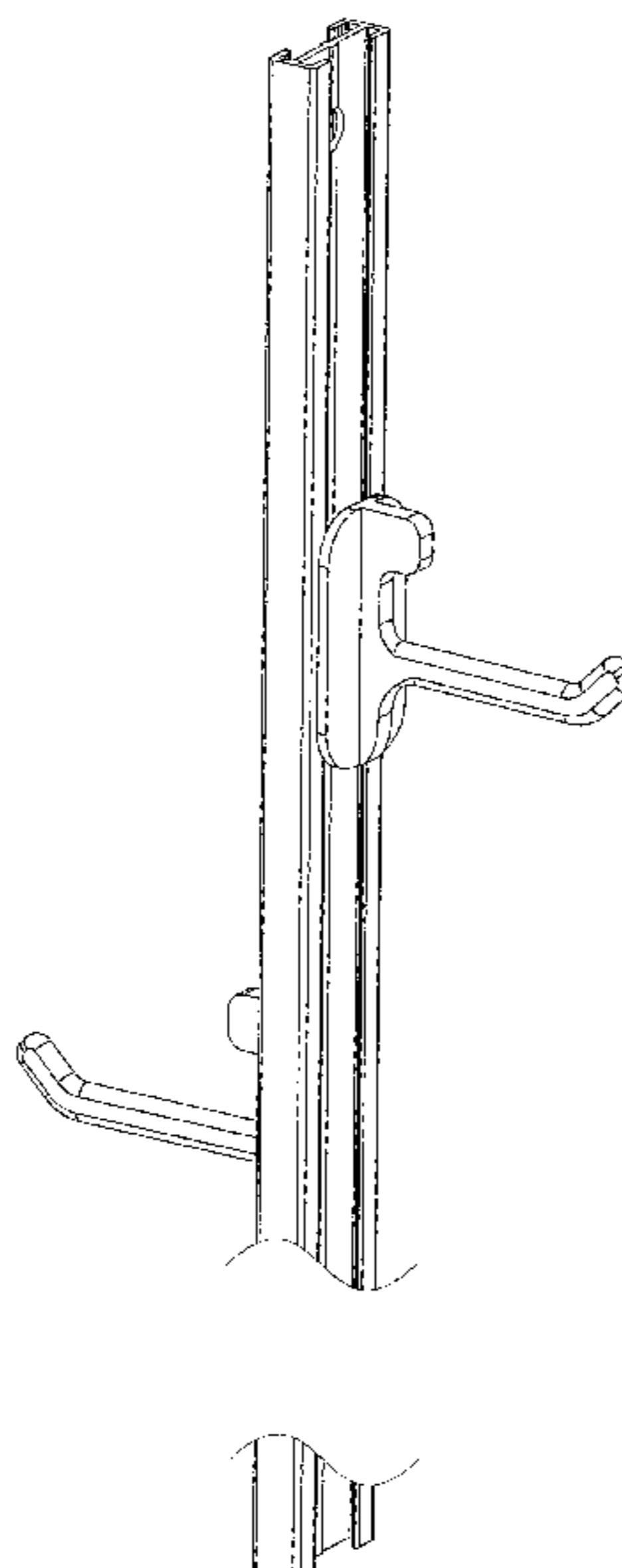
The ornamental design for a hanger for retail products, as shown and described.

DESCRIPTION

FIG. 1 is a perspective view of a hanger for retail products. FIG. 2 is a side view thereof. FIG. 3 is an end view of the hanger rail portion of the hanger for retail products, shown separately for ease of disclosure. FIG. 4 is a top perspective view thereof. FIG. 5 hangers is a front perspective view of the hanger portion of the hanger for retail products, shown separately for ease of disclosure. FIG. 6 is another front perspective view thereof. FIG. 7 is a rear perspective view thereof; and, FIG. 8 is a perspective view of the hanger for retail products, shown in use.

The broken lines depict environment that forms no part of the claimed design. A portion of the hanger for retail products is shown broken away to indicate that it has no particular length beyond what is known.

1 Claim, 6 Drawing Sheets



(56)

References Cited

U.S. PATENT DOCUMENTS

6,213,316 B1 * 4/2001 Gretz A47F 5/0884
211/113
6,227,756 B1 * 5/2001 Dube A47B 57/54
211/175
D457,365 S * 5/2002 Shea D6/513
D457,762 S * 5/2002 Hawkins D6/513
D464,510 S * 10/2002 Shea D6/682.2
D464,837 S * 10/2002 Shea D6/514
D466,352 S * 12/2002 Shea D6/514
D560,924 S * 2/2008 Walker D6/300
D578,312 S * 10/2008 Belokin D6/315
D582,686 S * 12/2008 Belokin D6/315
7,712,616 B2 * 5/2010 Barkdoll A47F 5/0807
211/59.1
D727,631 S * 4/2015 Irvin D6/323
D727,632 S * 4/2015 Sanchez D6/323
9,307,848 B2 * 4/2016 Bernstein A47F 5/04
D764,827 S * 8/2016 Coppolino D6/513
D785,975 S * 5/2017 Thaler D6/673
2013/0062300 A1 * 3/2013 Drake A47B 57/34
211/183
2017/0065103 A1 * 3/2017 Franzone, Jr. A47F 5/0006

* cited by examiner

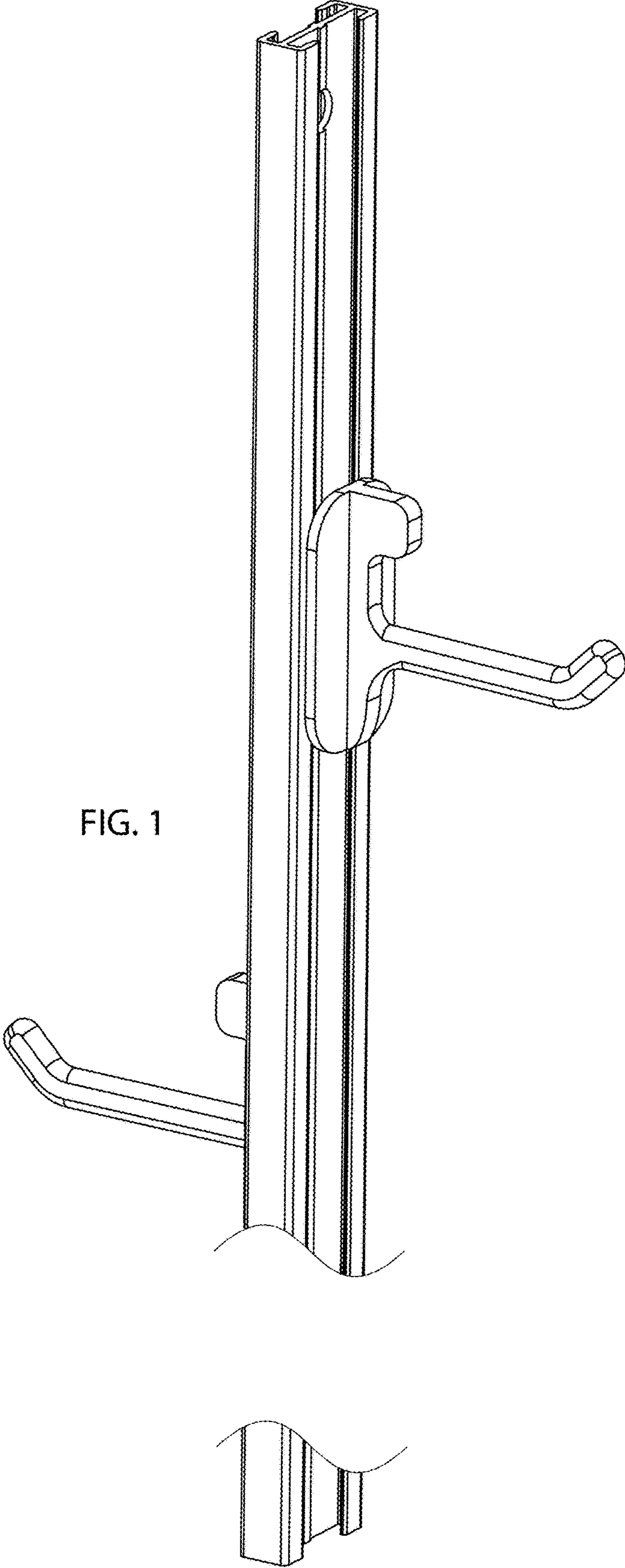


FIG. 1

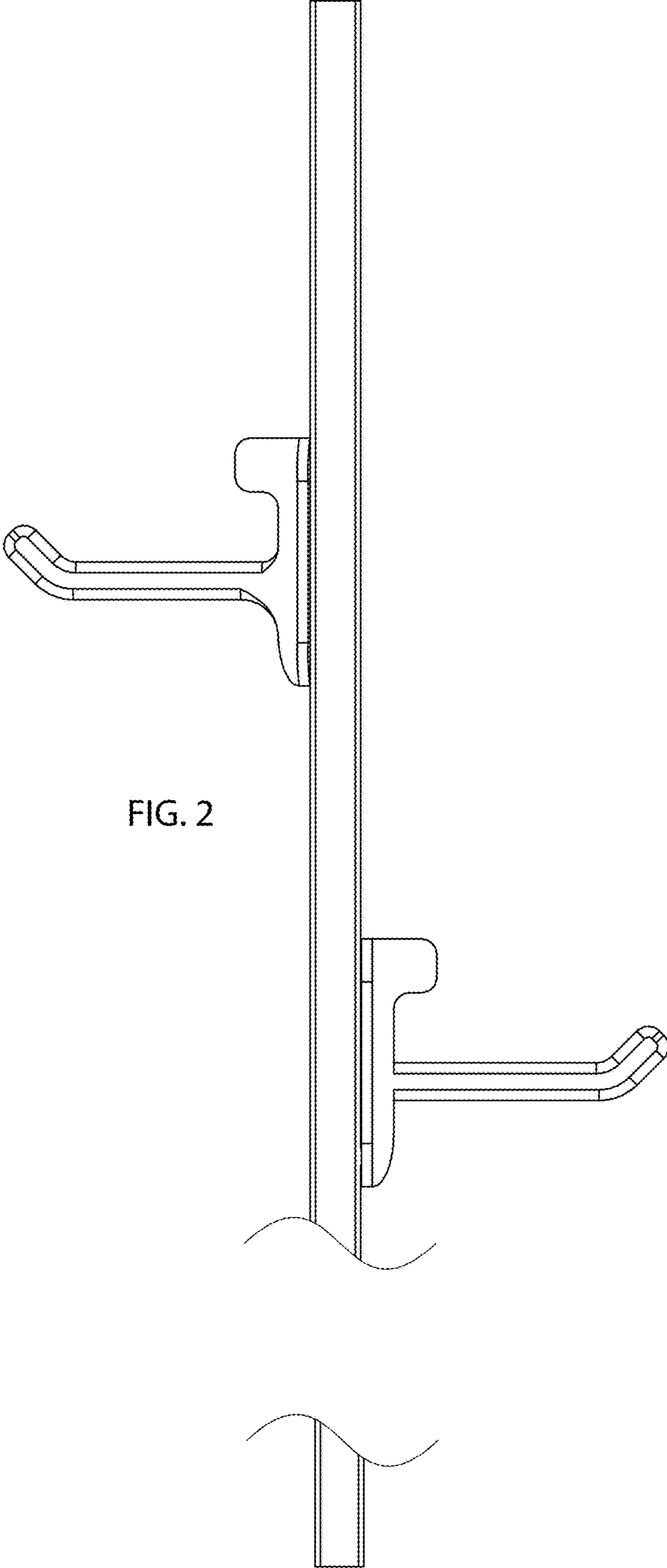


FIG. 2

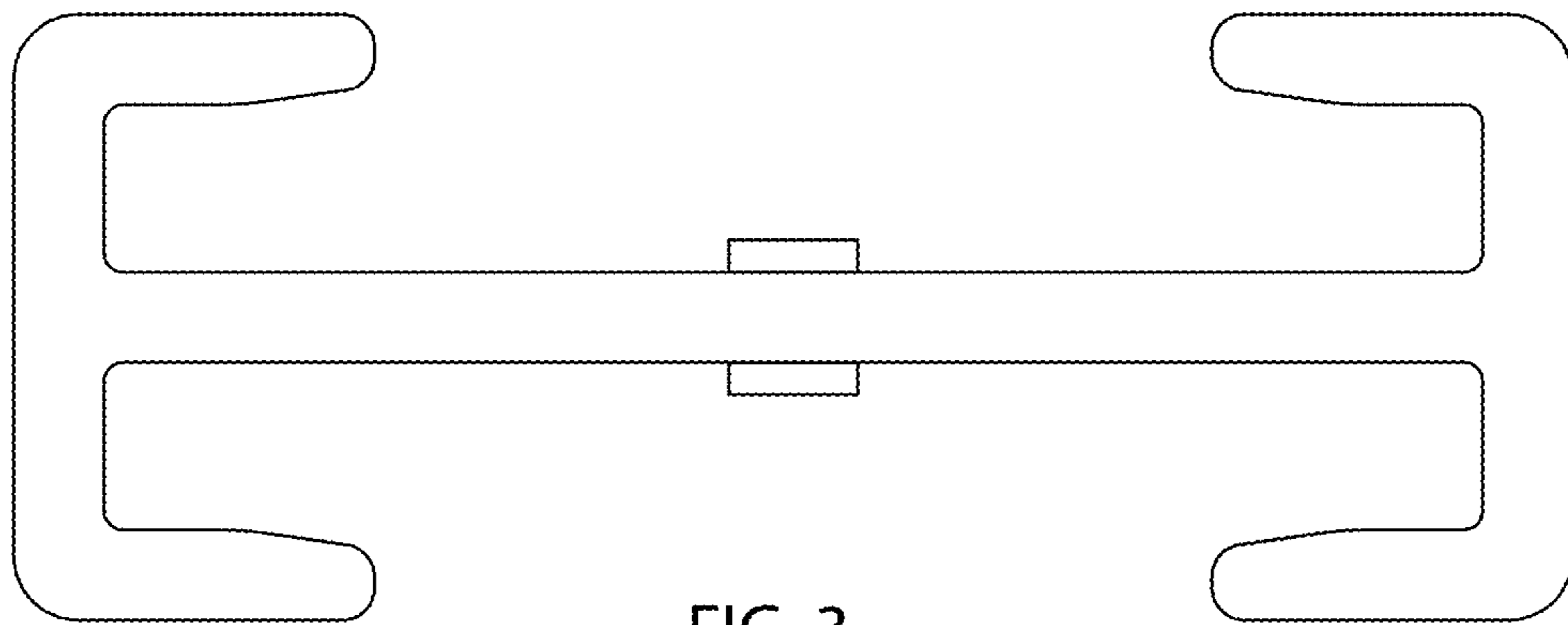


FIG. 3

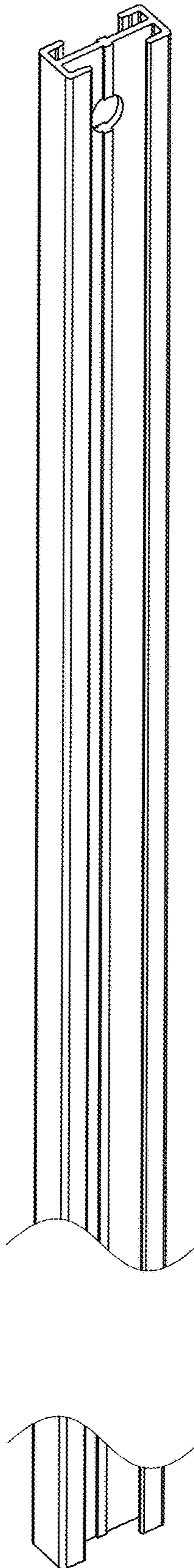


FIG. 4

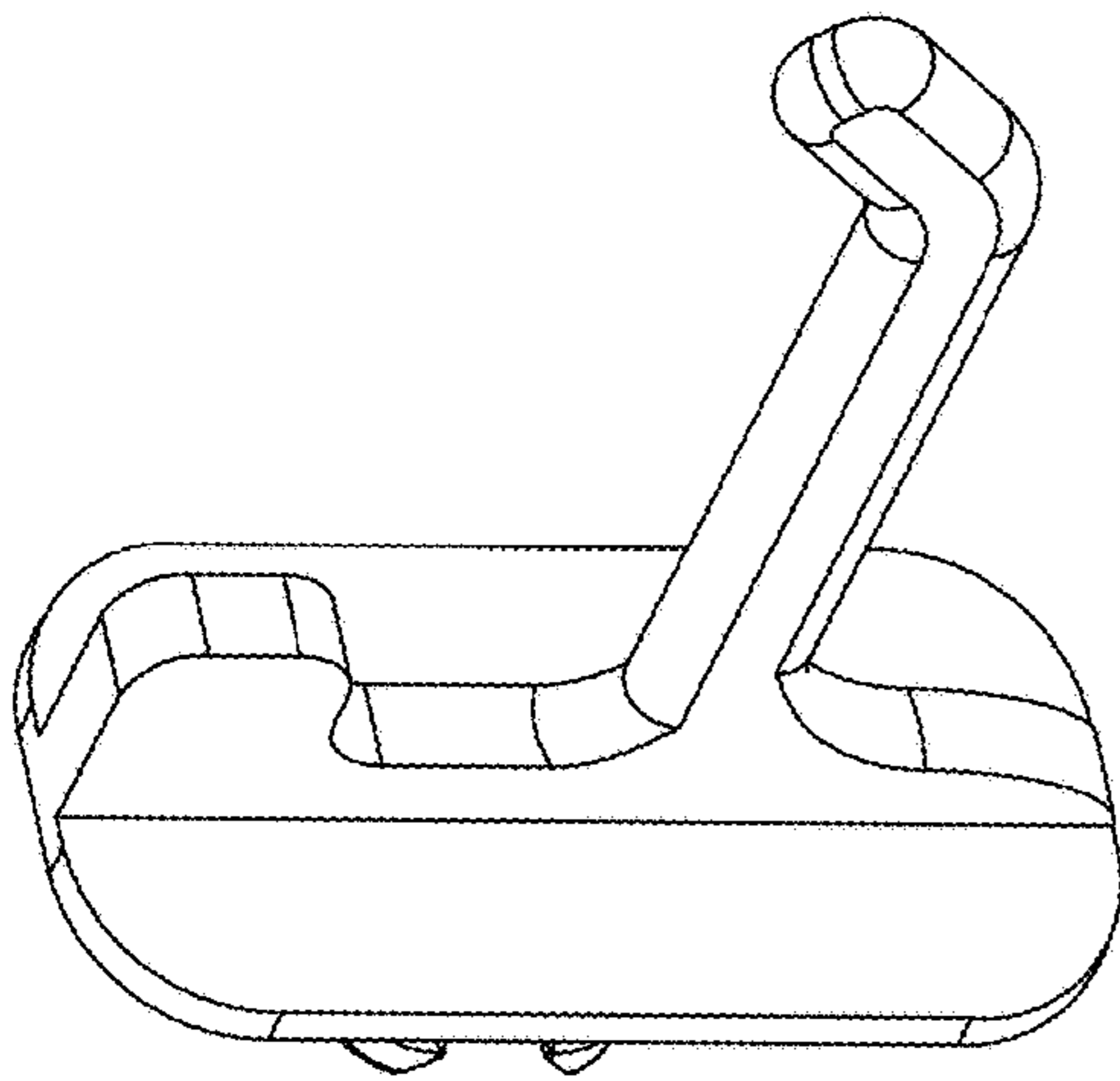


FIG. 6

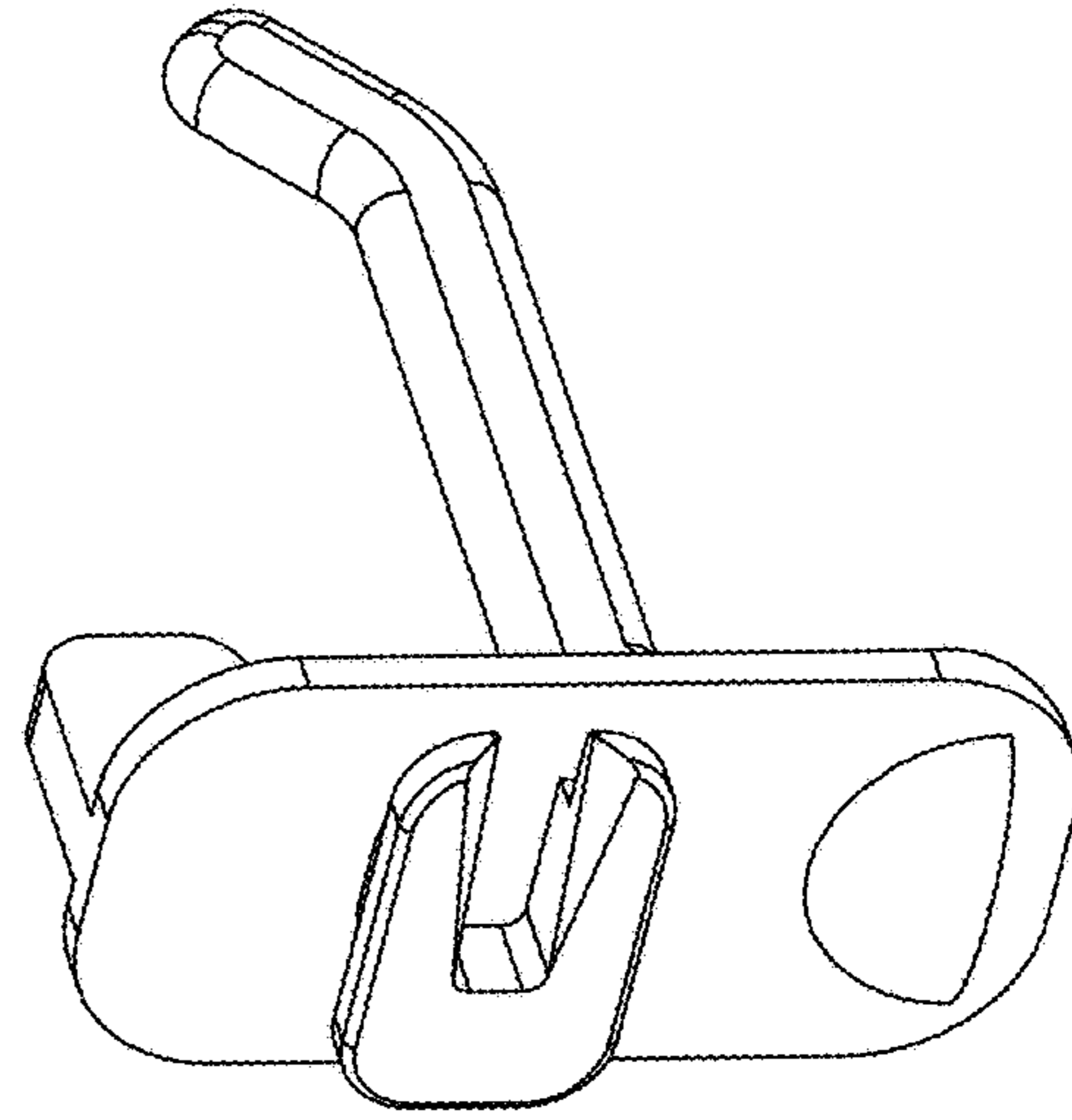


FIG. 7

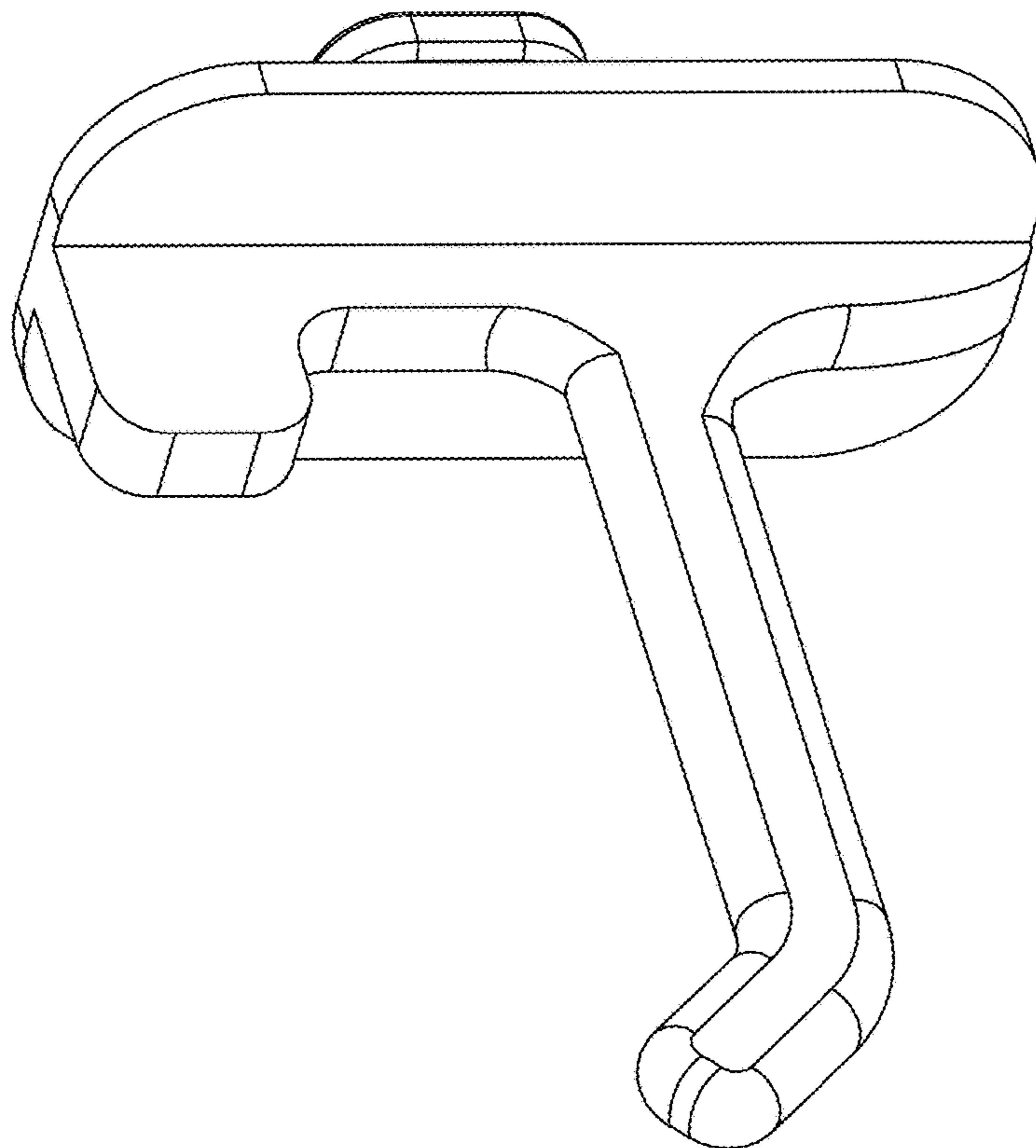


FIG. 5

