



US00D812935S

(12) **United States Design Patent** (10) **Patent No.:** **US D812,935 S**
Hannoosh et al. (45) **Date of Patent:** **** Mar. 20, 2018**

(54) **DRESSER**
(71) Applicant: **Williams-Sonoma, Inc.**, San Francisco, CA (US)
(72) Inventors: **Jeffrey C. Hannoosh**, Brooklyn, NY (US); **August Knox**, Brooklyn, NY (US)
(73) Assignee: **Williams-Sonoma, Inc.**, San Francisco, CA (US)
(**) Term: **15 Years**
(21) Appl. No.: **29/590,578**
(22) Filed: **Jan. 11, 2017**
(51) **LOC (11) Cl.** **06-04**
(52) **U.S. Cl.**
USPC **D6/671.1**
(58) **Field of Classification Search**
USPC D5/15, 16, 28, 29, 99; D6/661, 663, D6/668.1, 668.2, 669, 671, 671.1, 671.2, D6/705; D25/48.4, 113, 163
CPC A47B 55/02; A47B 3/00; A47B 81/00; A47B 81/005; A47B 67/02; A47B 77/02; A47B 47/05; A47B 47/024; A47B 47/0066; A47B 87/005; A47B 87/0292; A47B 43/00; A47B 88/49; A47B 88/90; A47G 1/12; A47F 3/002; A47F 3/0413; A47F 5/08; A47F 5/116; A47F 5/0018; A45C 11/16; B42F 17/00; E05C 19/001; F25D 21/14; F25D 23/069; F25D 2400/10; G09F 1/12; H05K 9/0062; Y10T 428/24694
See application file for complete search history.

2,910,396 A * 10/1959 Frobisher B28B 19/0092
156/197
D198,351 S * 6/1964 MacVlear D6/661
D267,376 S * 12/1982 Lenger, Jr. D6/665
D267,845 S * 2/1983 Lenger, Jr. D6/665
D301,528 S * 6/1989 Wistehuff D6/671.1
D383,311 S * 9/1997 Engberg D5/53
D401,443 S * 11/1998 Zaidman D6/671.1
D403,894 S * 1/1999 Hutton D6/671.1
D413,731 S * 9/1999 Hannington D5/61
D440,430 S * 4/2001 Hutton D6/671.1
D455,291 S * 4/2002 Jeup D6/671.1
D482,910 S * 12/2003 Jeup D6/703.3
D488,002 S * 4/2004 Wanek D6/671.1
D508,347 S * 8/2005 Juneau D6/671.1
D542,057 S * 5/2007 Juneau D6/671.1
D587,384 S * 2/2009 Wei D26/2
D609,497 S * 2/2010 Kanthasamy D6/671.1
D652,630 S * 1/2012 Alevizopoulos D5/28
8,777,455 B2 * 7/2014 Pickard F21K 9/233
362/241

(Continued)

Primary Examiner — Kevin K Rudzinski
Assistant Examiner — Paul D Bohannon
(74) *Attorney, Agent, or Firm* — Cook Alex Ltd.; R. Blake Johnston

(57) **CLAIM**

The ornamental design for a dresser, as shown and described.

DESCRIPTION

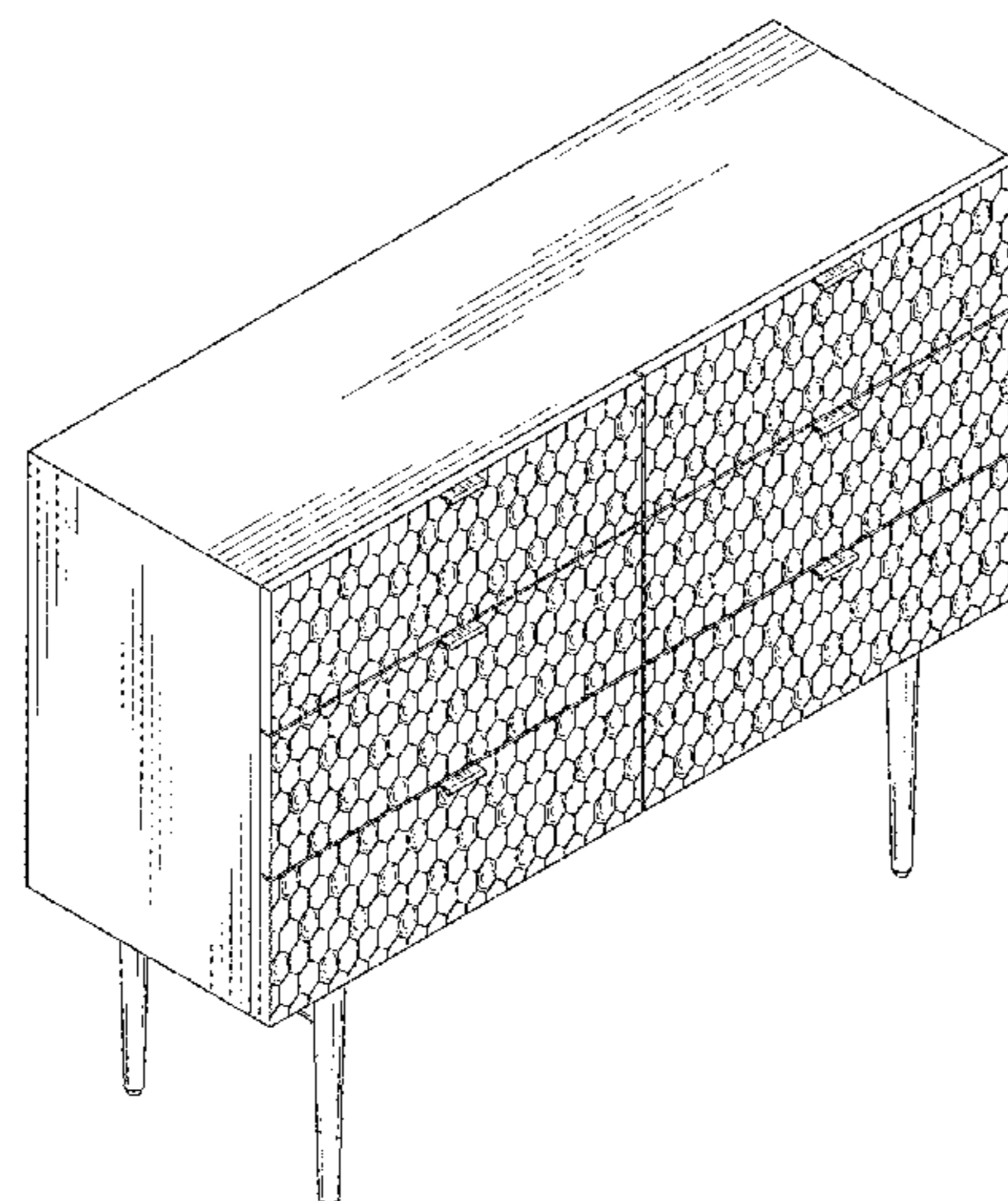
FIG. 1 is a perspective view of the dresser; FIG. 2 is a front elevational view of the dresser; FIG. 3 is a rear elevational view of the dresser; FIG. 4 is a left side elevational view of the dresser, the opposite side of which is a mirror image; FIG. 5 is a top plan view of the dresser; and, FIG. 6 is a bottom plan view of the dresser.

1 Claim, 6 Drawing Sheets

(56) **References Cited**

U.S. PATENT DOCUMENTS

D172,795 S * 8/1954 Kaufman D6/661
2,910,153 A * 10/1959 Campbell E04C 2/365
219/78.11



(56)

References Cited

U.S. PATENT DOCUMENTS

2004/0120667 A1* 6/2004 Aylward G02B 6/08
385/115
2011/0149581 A1* 6/2011 Jiang F21V 3/04
362/338
2012/0106169 A1* 5/2012 Kim G02B 3/0056
362/311.02
2012/0274559 A1* 11/2012 Mathai G02B 5/0278
345/158
2014/0142522 A1* 5/2014 Filippova A61F 13/00021
604/290

* cited by examiner

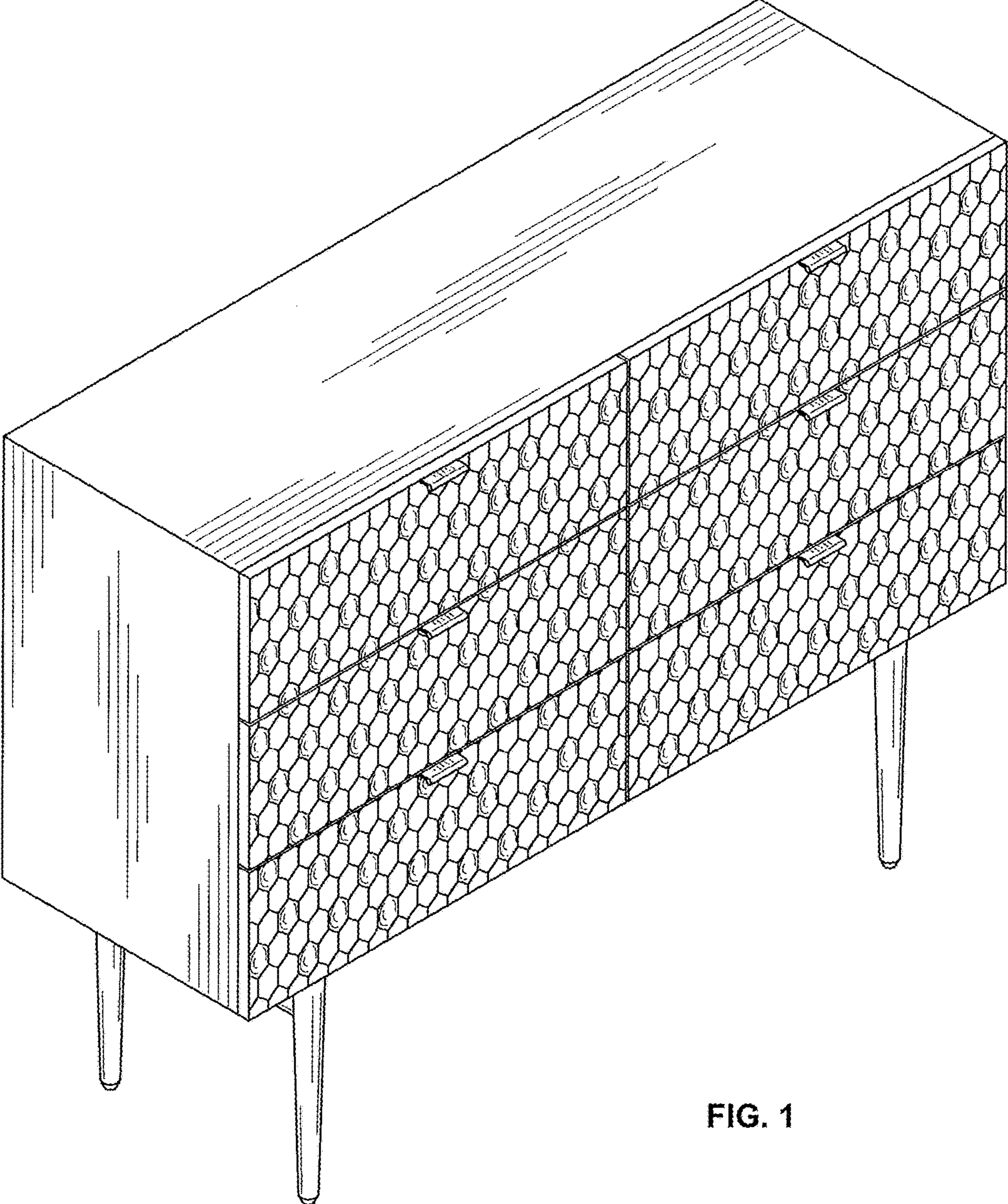


FIG. 1

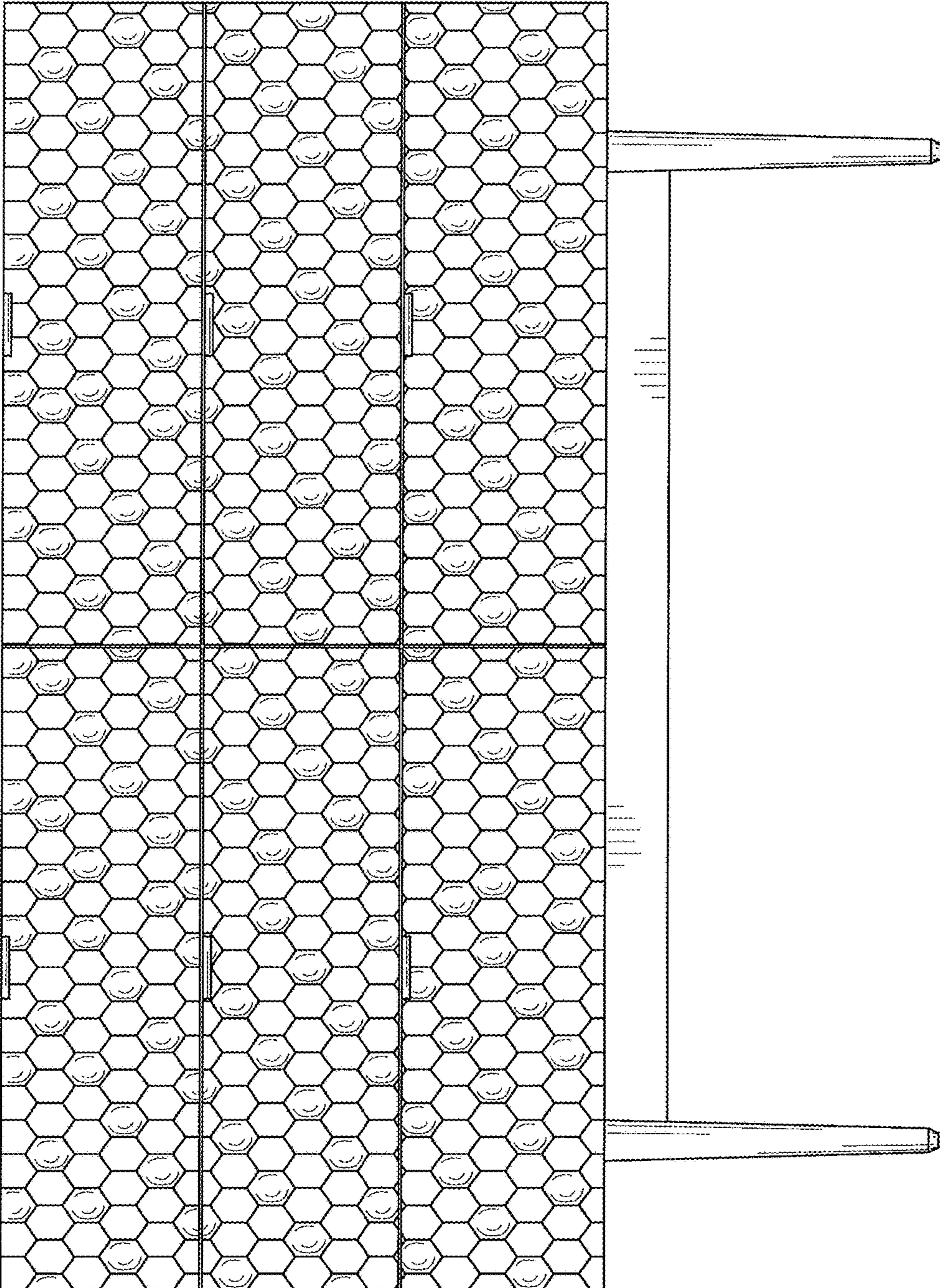


FIG. 2

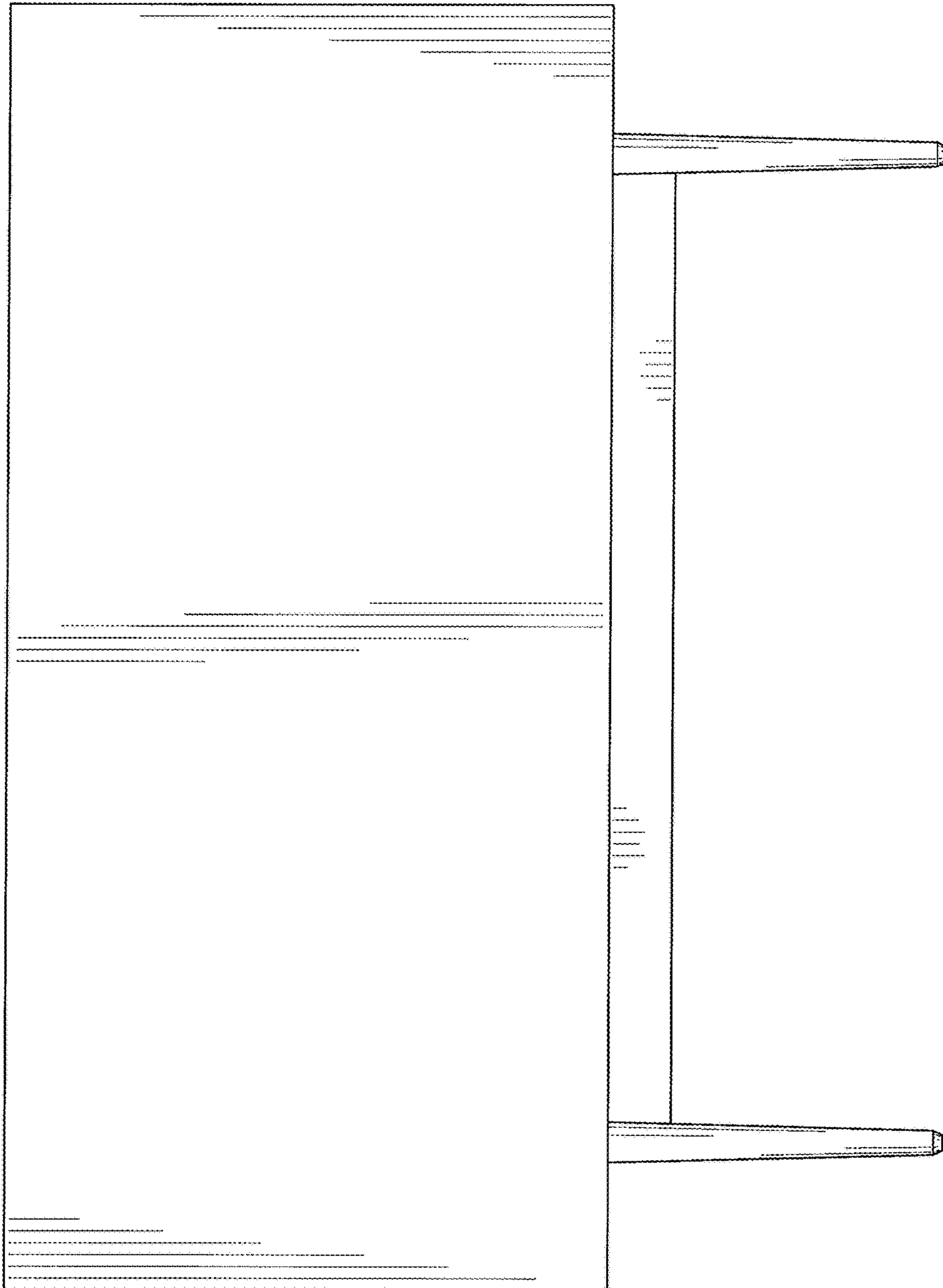


FIG. 3

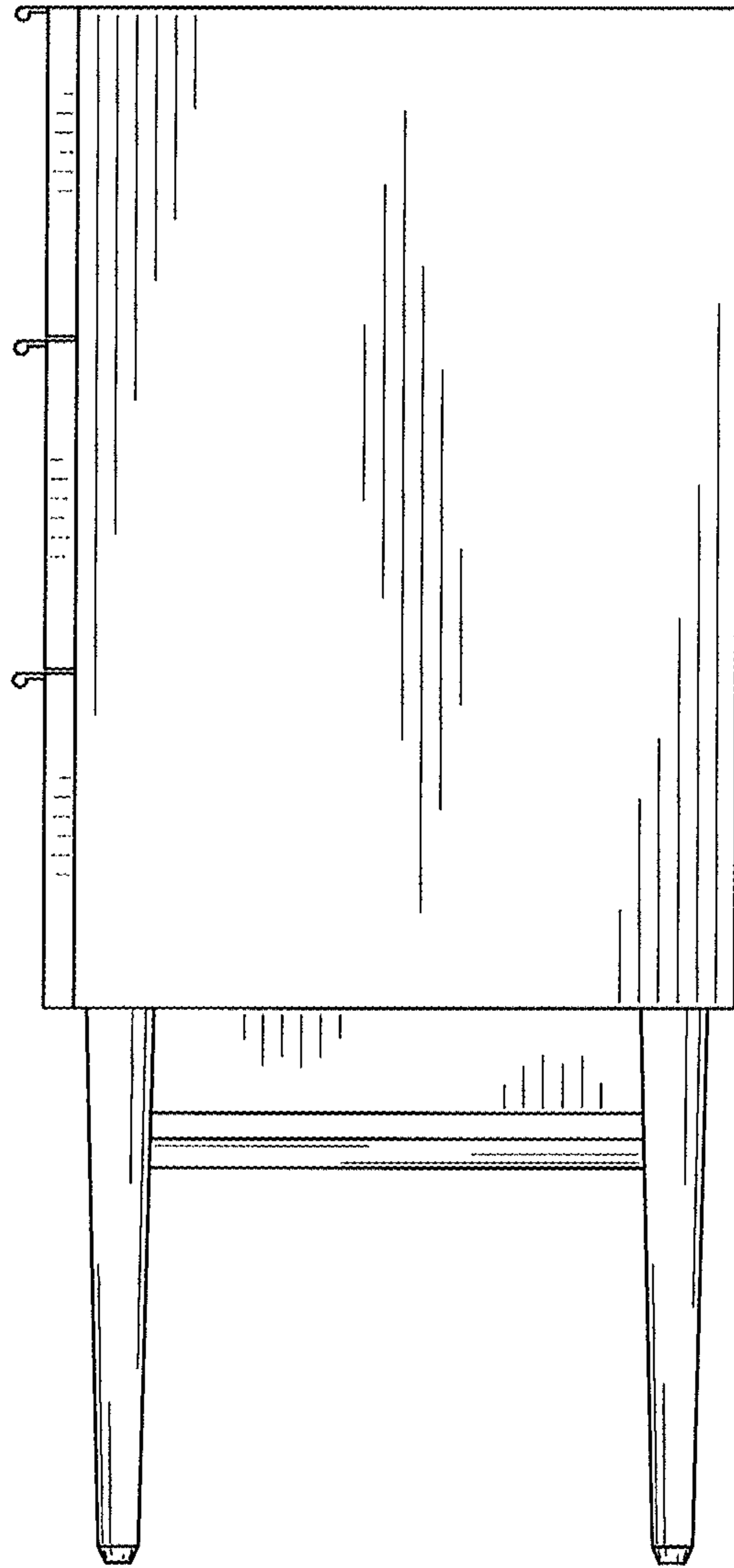


FIG. 4

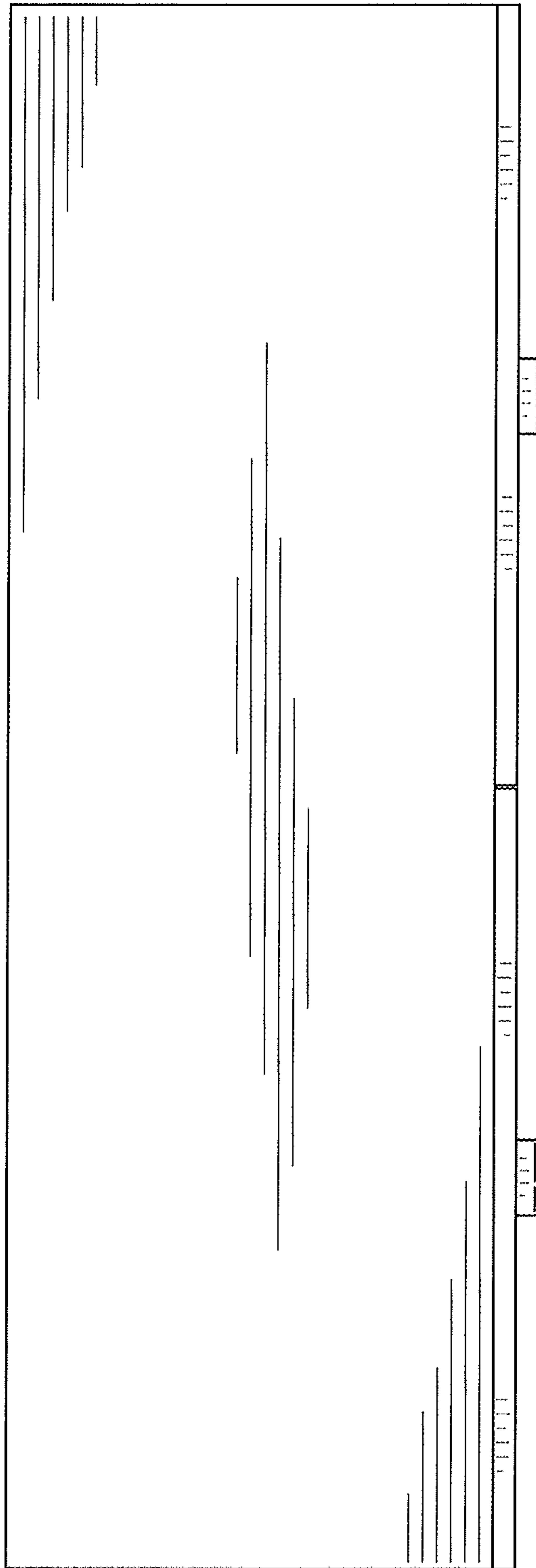


FIG. 5

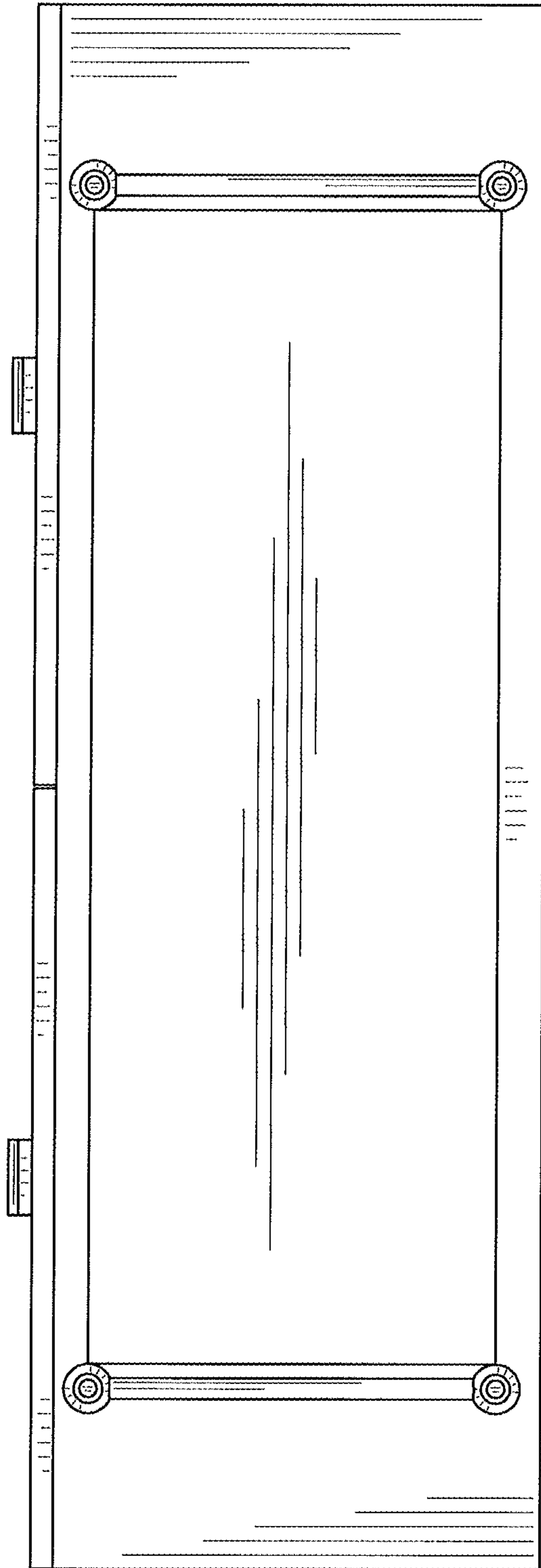


FIG. 6