



US00D812932S

(12) **United States Design Patent** (10) **Patent No.:** **US D812,932 S**
Fraser (45) **Date of Patent:** **** Mar. 20, 2018**

(54) **MEMORIAL PORTRAIT CABINET**

D386,317 S * 11/1997 Costa D11/157
5,794,318 A * 8/1998 Parker A61G 17/08
27/1
D416,711 S * 11/1999 Chou D6/664.1
D416,712 S * 11/1999 Chou D6/664.1
D458,460 S * 6/2002 Ancona D6/300
6,467,210 B1 * 10/2002 Chang A47G 1/06
40/732

(71) Applicant: **United Priority Distributors LLC**,
Three Rivers, CA (US)

(72) Inventor: **Tyler Fraser**, Visalia, CA (US)

(73) Assignee: **Always Memorial LLC**, Visalia, CA
(US)

(Continued)

(**) Term: **15 Years**

(21) Appl. No.: **29/585,346**

(22) Filed: **Nov. 22, 2016**

(51) **LOC (11) Cl.** **06-04**

(52) **U.S. Cl.**
USPC **D6/657**

(58) **Field of Classification Search**
USPC D3/294, 901; D6/300, 309, 310, 332,
D6/663, 664, 664.1, 657, 672, 673, 674,
D6/675, 675.1; D9/721, 722, 415;
D11/132, 157; D19/75; D23/286
CPC A61G 17/08; A47G 1/06; A47G 1/0616;
A47G 2001/0666; A47G 25/06; G09G
2380/16

See application file for complete search history.

(56) **References Cited**

U.S. PATENT DOCUMENTS

1,395,153 A * 10/1921 Schomacker A47C 7/62
40/320
1,999,476 A * 4/1935 Pollock A47C 67/005
312/226
D197,100 S * 12/1963 Coheen D6/657
D227,525 S * 7/1973 Skinner D6/309
D260,503 S * 9/1981 Stangarone D11/132
D290,204 S * 6/1987 Bruget D6/675.1
D300,094 S * 3/1989 Meyers D6/674
D354,120 S * 1/1995 Pajetta D23/286
D362,051 S * 9/1995 Pajetta D23/286
D368,583 S * 4/1996 Sharer D3/294
D379,276 S * 5/1997 Shih D6/664.1

OTHER PUBLICATIONS

<https://www.kickstarter.com/projects/2033271920/hereafter-frames>.

<https://www.kickstarter.com/projects/2033271920/hereafter-frames/updates> dated Sep. 9, 2013.

Primary Examiner — Kevin K Rudzinski

Assistant Examiner — Paul D Bohannon

(74) *Attorney, Agent, or Firm* — Mitchell Law PLLC;
Matthew W. Mitchell

(57) **CLAIM**

The ornamental design for a memorial portrait cabinet, as shown.

DESCRIPTION

FIG. 1 is a front isometric view of the memorial portrait cabinet of the present invention;

FIG. 2 is a front view of the memorial portrait cabinet of FIG. 1;

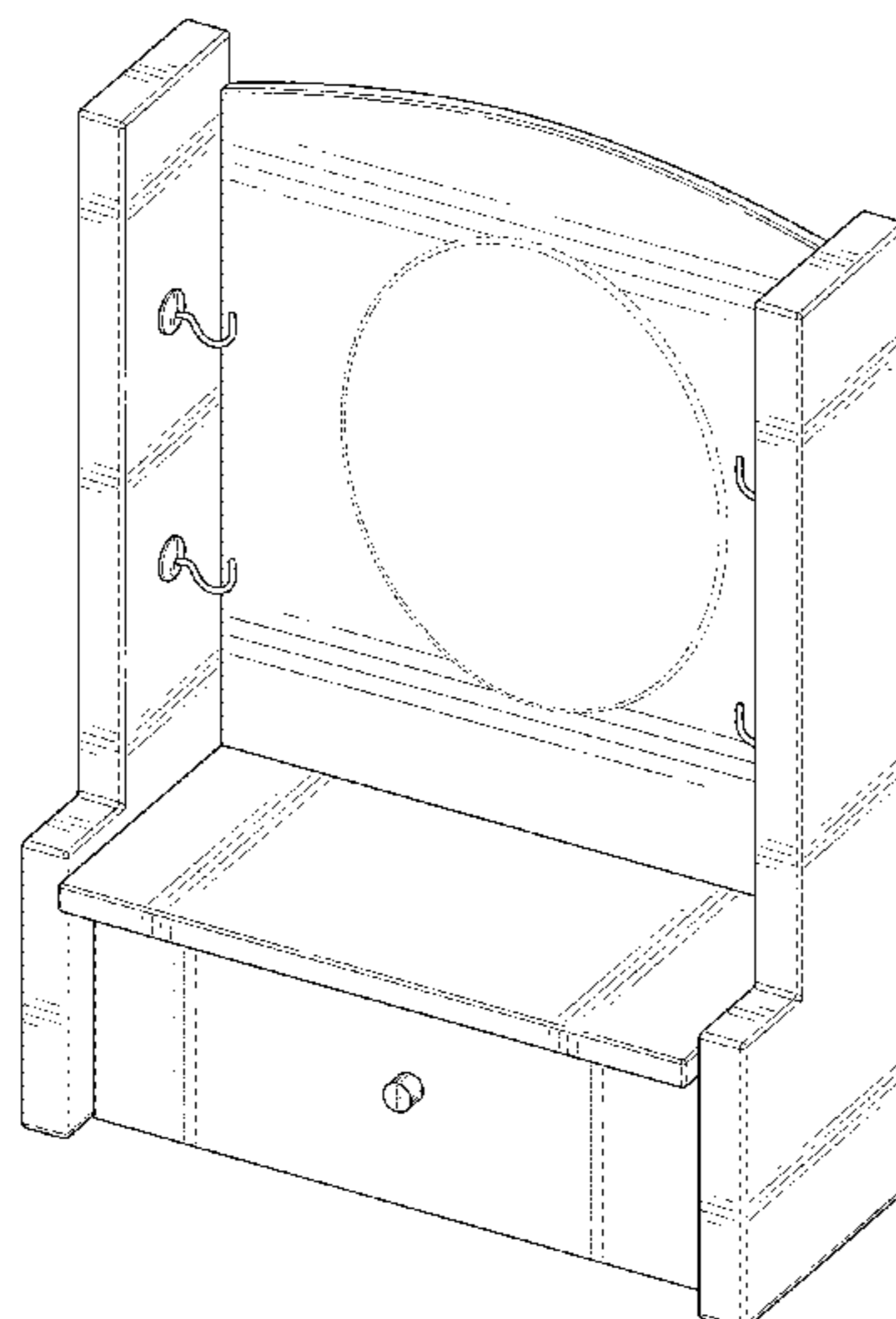
FIG. 3 is a side view of the memorial portrait cabinet of FIG. 1, as seen from the left side of FIG. 2;

FIG. 4 is a side view of the memorial portrait cabinet of FIG. 1, as seen from the right side of FIG. 2; and,

FIG. 5 is a top plan view in elevation of the memorial portrait cabinet of FIG. 1.

The broken line showing of the memorial portrait cabinet is for the purpose of illustrating portions of the article and forms no part of the claimed design.

1 Claim, 4 Drawing Sheets



(56)

References Cited

U.S. PATENT DOCUMENTS

6,519,886	B1 *	2/2003	Johnson	A47G 1/06 40/718
D483,956	S *	12/2003	Domack	D6/300
D562,015	S *	2/2008	Draheim	D6/300
D562,570	S *	2/2008	Leyden	D6/309
D564,241	S *	3/2008	Draheim	D6/300
D590,630	S *	4/2009	Singler	D6/663
D649,192	S *	11/2011	Beukema	D19/75
8,510,921	B2 *	8/2013	Florea	A61G 17/04 27/1
D712,686	S *	9/2014	Day	D6/663
8,935,837	B2 *	1/2015	Jairala, Jr.	A61G 17/08 27/1
D734,965	S *	7/2015	Tio	D6/675
D741,091	S *	10/2015	Tio	D6/675
D770,203	S *	11/2016	Thaler	D6/673
D778,087	S *	2/2017	Mandon	D6/657
9,603,470	B2 *	3/2017	Gao	A47G 1/0616
9,775,761	B2 *	10/2017	McLaughlin	A61G 17/08
D803,605	S *	11/2017	Ko	D6/675
2006/0207075	A1 *	9/2006	Davis	A61G 17/08 27/1
2012/0180275	A1 *	7/2012	Kocir	A61G 17/08 27/1
2015/0036326	A1 *	2/2015	Maciulewicz	A47F 11/10 362/133

* cited by examiner

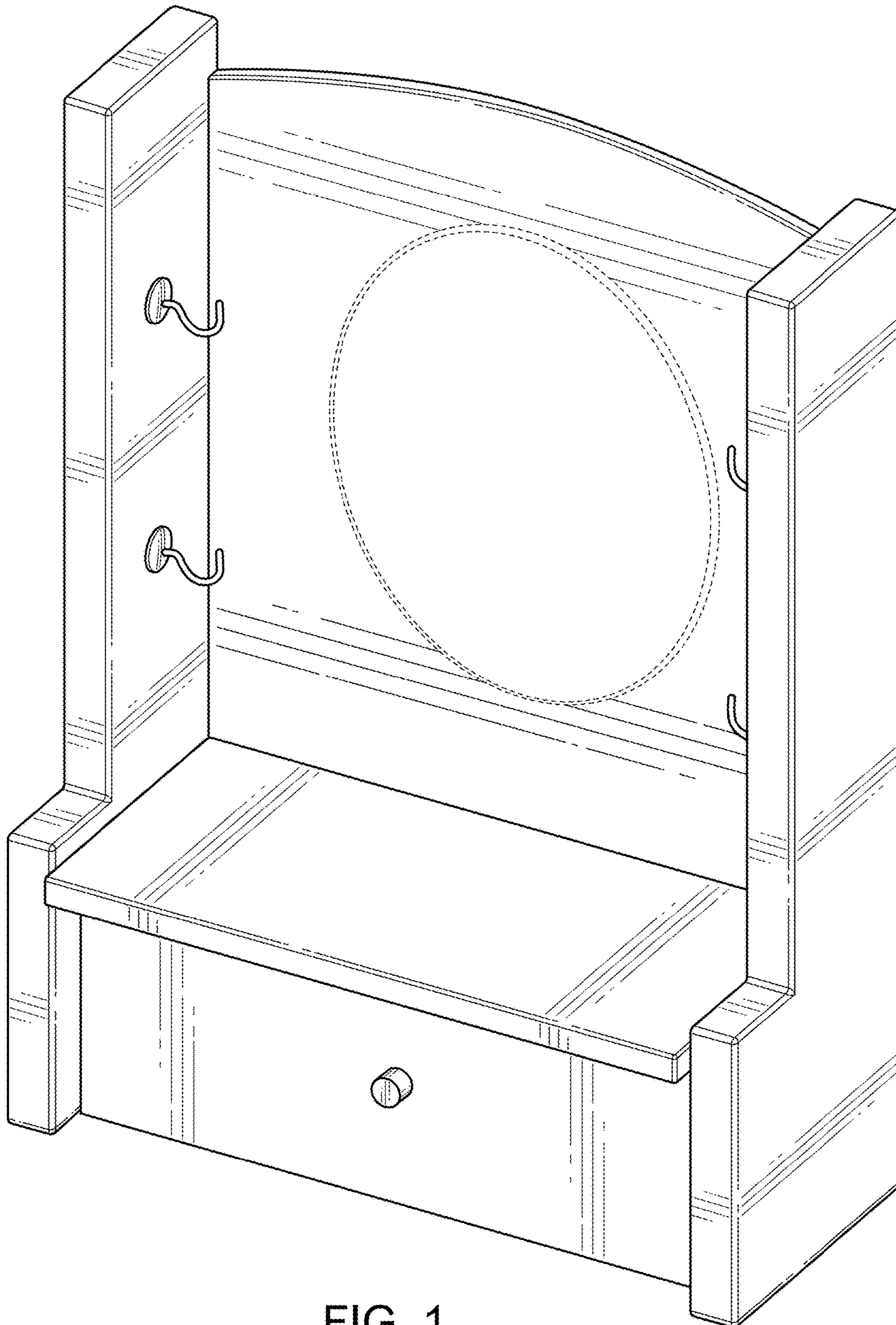


FIG. 1

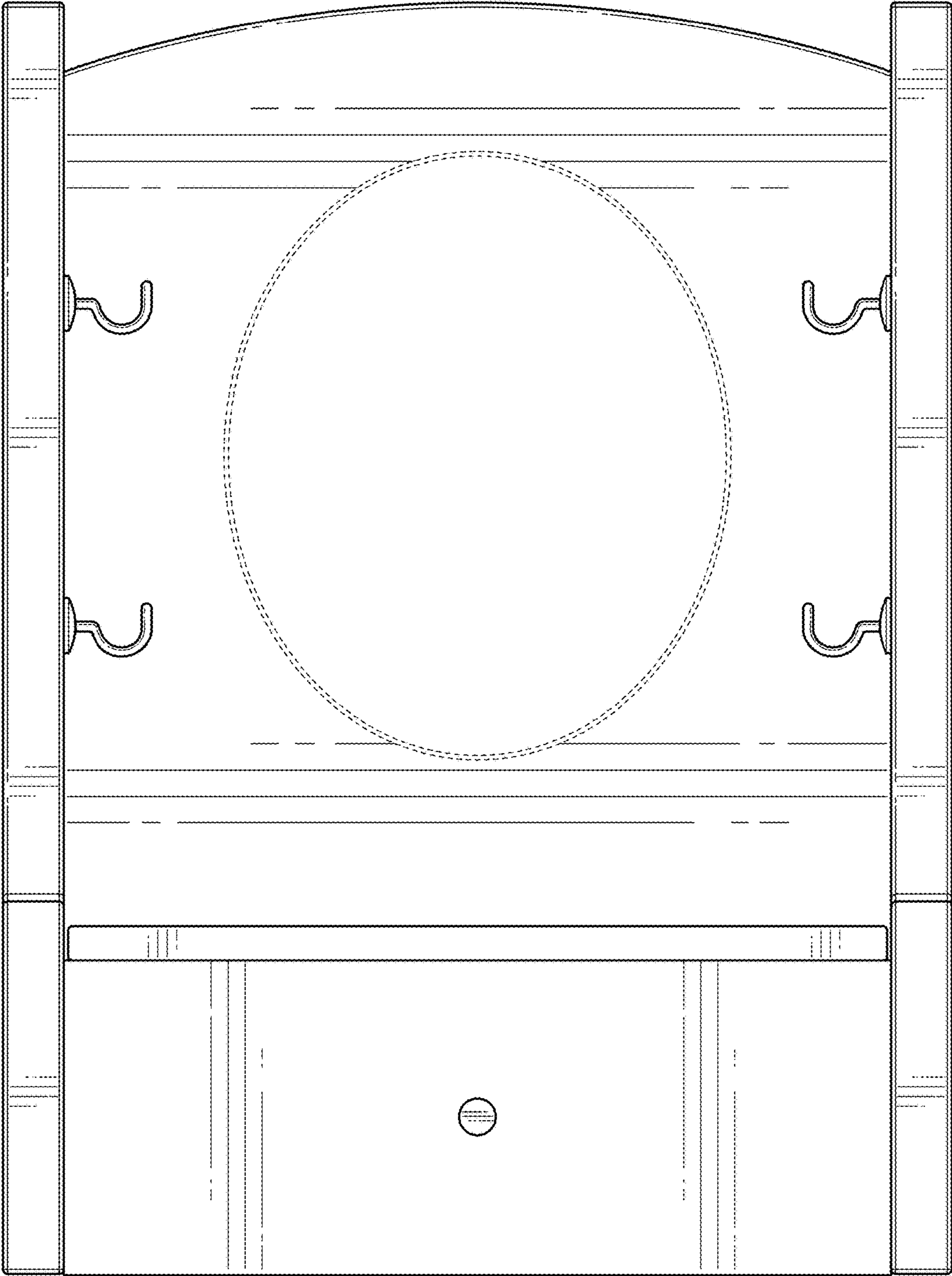


FIG. 2

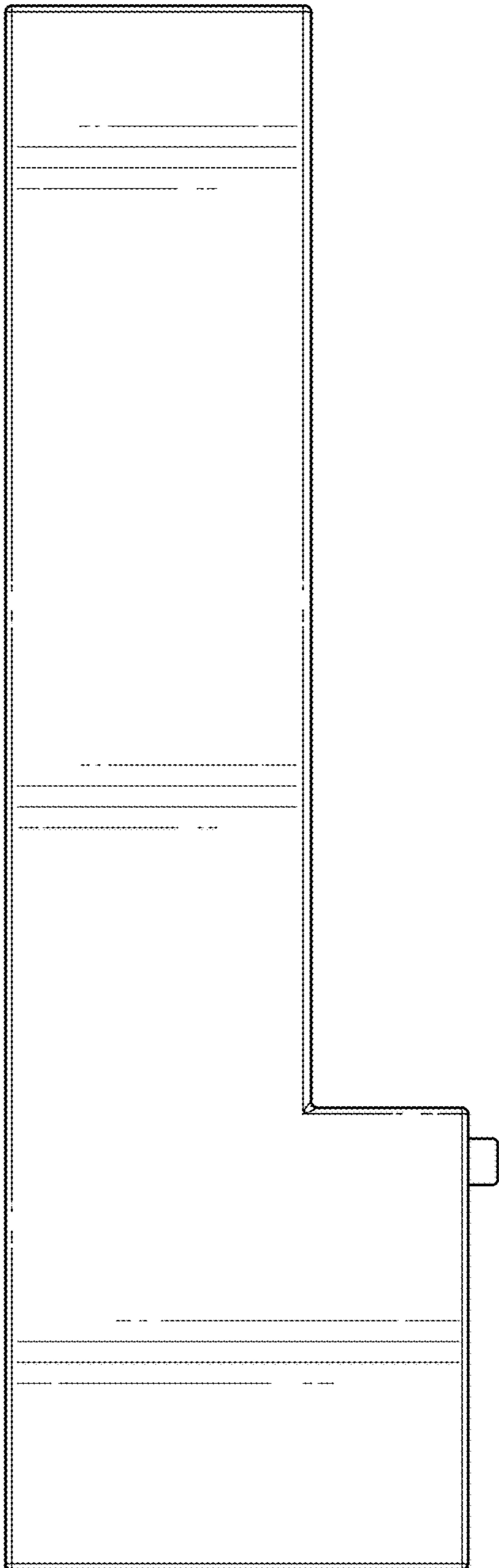


FIG. 3

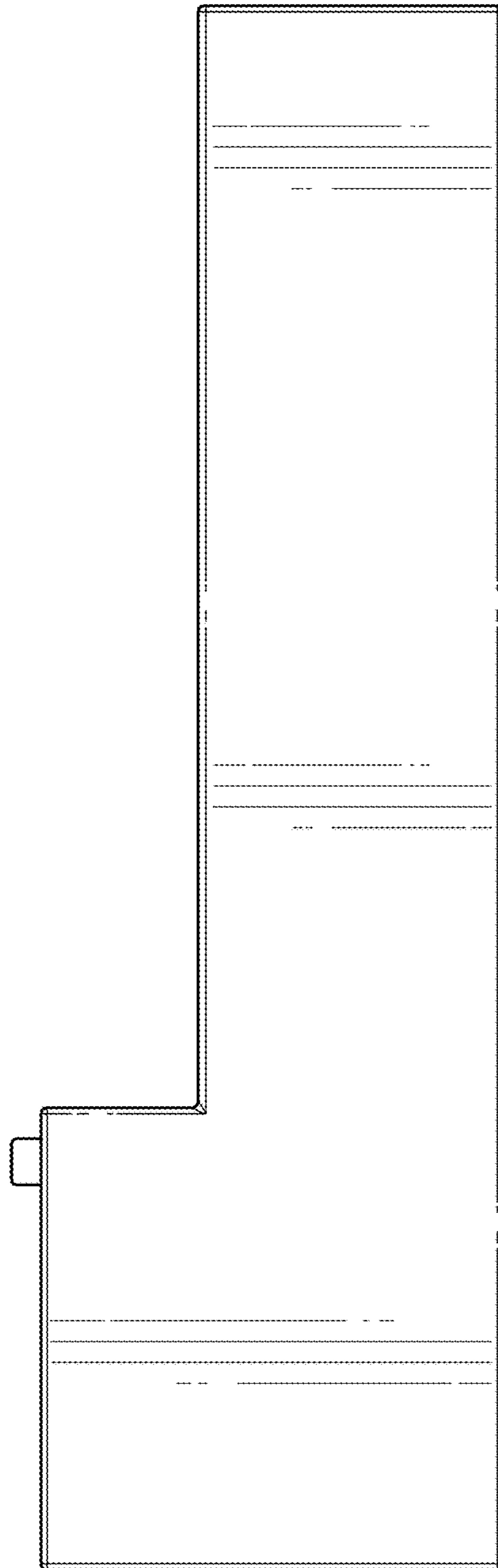


FIG. 4

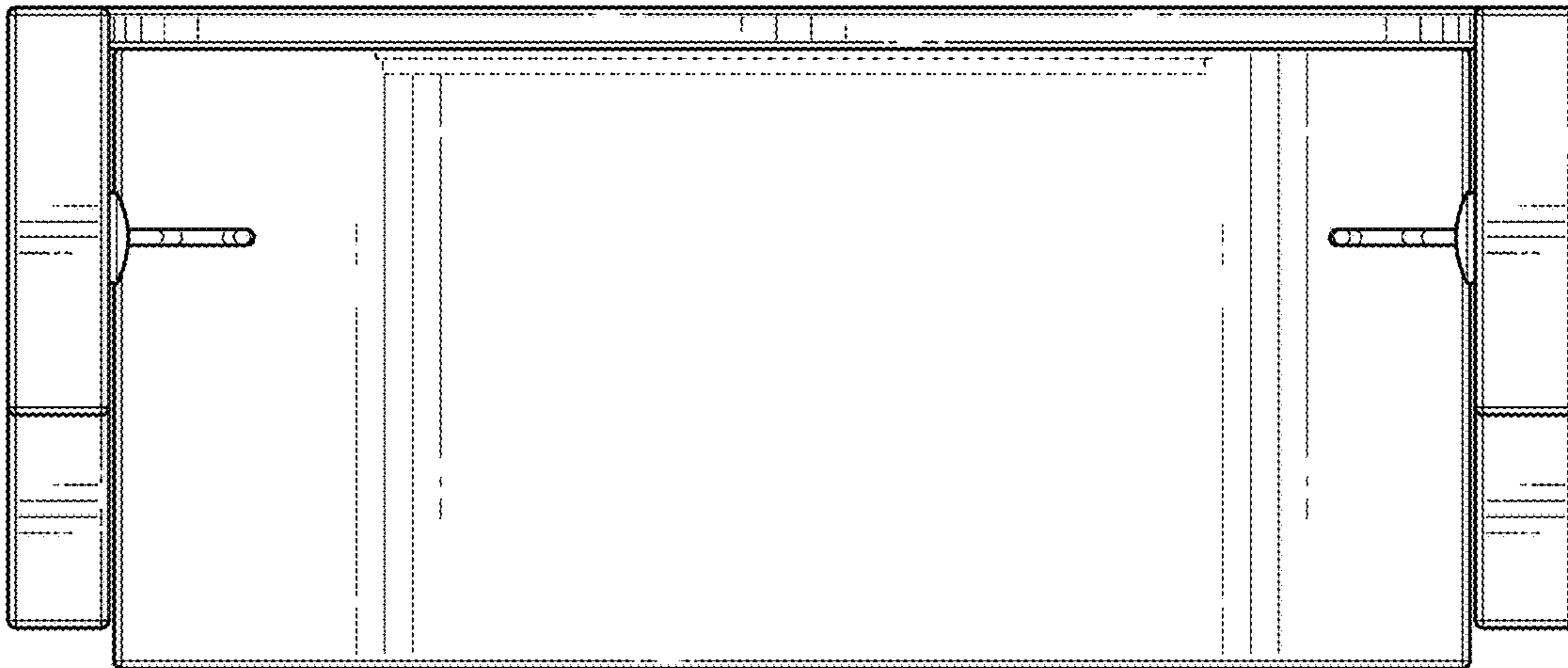


FIG. 5