



US00D812931S

(12) **United States Design Patent**
Chen et al.

(10) **Patent No.:** **US D812,931 S**
(45) **Date of Patent:** **** Mar. 20, 2018**

(54) **PILLOW**

(71) Applicant: **SHENZHEN LIAN DA TECHNOLOGY INDUSTRIAL CO., LTD.**, Shenzhen, Guangdong (CN)

(72) Inventors: **Congyu Chen**, Guangdong (CN);
Congchao Chen, Guangdong (CN)

(73) Assignee: **Shenzhen Lian Da Technology Industrial Co., Ltd.**, Shenzhen (CN)

(**) Term: **15 Years**

(21) Appl. No.: **29/592,434**

(22) Filed: **Jan. 30, 2017**

(51) **LOC (11) Cl.** **06-09**

(52) **U.S. Cl.**
USPC **D6/601**

(58) **Field of Classification Search**
USPC D6/333, 349, 355, 375, 388, 512, 563, D6/564, 611, 707, 715, 716, 716.1, D6/582-583, 587-592, 595-609, D6/617-622; D24/183-185, 234, 178, D24/180, 181, 189; D21/803, 804, 805, D21/809, 599; 5/401, 420, 600, 630, 5/631, 632, 633, 635, 636, 638, 639, 646, 5/652, 652.1, 655, 703, 730; 297/1, 2, 4, 297/93, 180.11, 195.1, 195.11, 195.13, 297/393, 397, 452.12, 452.14, 452.15, 297/452.21, 452.24, 452.26, 452.48, 297/452.62, 482; D2/719, 725, 734, 741
CPC A47G 9/10; A47G 9/1009; A47G 9/1027; A47G 9/1045; A47G 9/1063; A47G 9/1072; A47G 9/1081; A47G 9/00; A47G 2009/001; A47G 2009/002; A47G 2009/003; A47G 2009/005; A47G 2009/006; A47G 9/02; A47G 9/0207; A47G 9/0215; A47G 9/0223; A47G 9/023; A47G 9/0238; A47G 9/0246;

A47G 9/0253; A47G 9/0261; A47G 9/06; A47G 9/062; A47G 9/066; A47G 9/068; A47G 9/08; A47G 2009/0276; A47G 9/0284; A47G 9/0292; A47G 9/04
See application file for complete search history.

(56) **References Cited**

U.S. PATENT DOCUMENTS

D258,557	S	*	3/1981	Herr	5/636
D293,755	S	*	1/1988	Murphy	D6/601
D294,900	S	*	3/1988	Willingham	D6/596
4,835,801	A	*	6/1989	Walpin	A47C 7/425
						297/452.32
D318,923	S	*	8/1991	Marsh	D24/183
D377,880	S	*	2/1997	Oyama, Jr.	D6/596
D381,855	S	*	8/1997	Galick	D6/596
D387,235	S	*	12/1997	Carpenter	D6/596
D442,006	S	*	5/2001	Miller	D6/601
D444,980	S	*	7/2001	Mowat	5/636
D474,364	S	*	5/2003	Arcieri	D6/601
7,082,633	B1	*	8/2006	Maarbjerg	A47G 9/10
						5/636

(Continued)

Primary Examiner — Eric L Goodman
Assistant Examiner — Sanjeev Paul

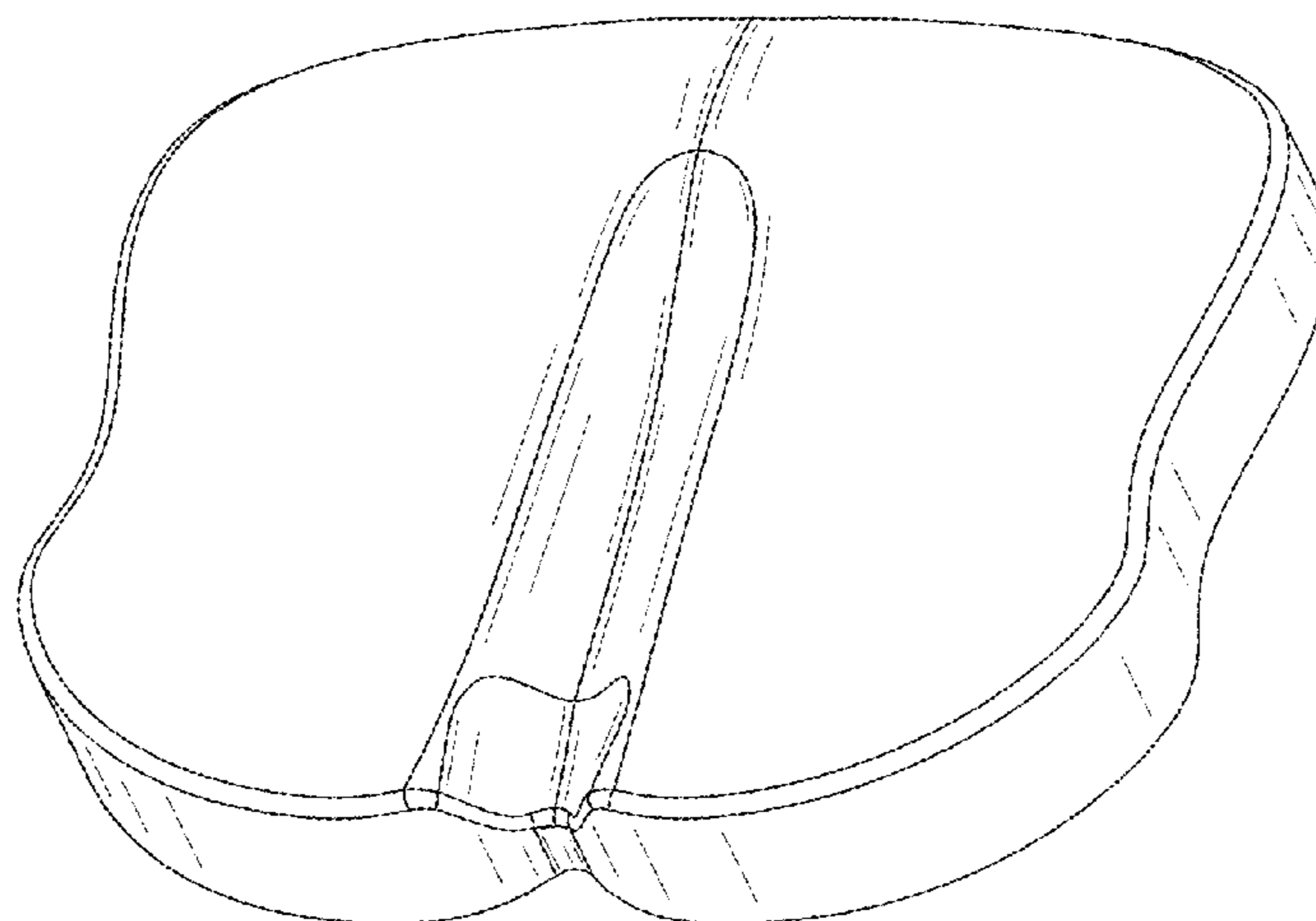
(57) **CLAIM**

The ornamental design for a pillow, as shown and described.

DESCRIPTION

FIG. 1 is a front view of the pillow showing our new design;
FIG. 2 is a back view thereof;
FIG. 3 is a left side view thereof;
FIG. 4 is a right side view thereof;
FIG. 5 is a top view thereof;
FIG. 6 is a bottom view thereof;
FIG. 7 is a top perspective view thereof; and,
FIG. 8 is a bottom perspective view thereof.

1 Claim, 5 Drawing Sheets



(56)

References Cited

U.S. PATENT DOCUMENTS

7,373,678 B2 * 5/2008 Hetzel A47C 7/022
 29/91.1
 D595,986 S * 7/2009 Kloes D6/601
 D620,298 S * 7/2010 Tanaka D6/601
 D642,280 S * 7/2011 Goumas D24/183
 D645,693 S * 9/2011 Rothbard D6/601
 D681,998 S * 5/2013 Rowe D6/601
 D696,045 S * 12/2013 Marinkovic D6/601
 D696,046 S * 12/2013 Marinkovic D6/601
 D698,586 S * 2/2014 Davis D6/601
 D707,358 S * 6/2014 Mantilla D24/184
 D711,158 S * 8/2014 Ko D6/601
 D715,579 S * 10/2014 Scarlett D6/601
 D722,449 S * 2/2015 Krishtul D6/601
 D731,816 S * 6/2015 Edgemon D6/601
 D732,312 S * 6/2015 Tiffin D6/601
 D733,462 S * 7/2015 Pellegrini D6/601
 D734,545 S * 7/2015 Cantu D28/57

D747,613 S * 1/2016 Scarlett D6/601
 D749,874 S * 2/2016 Ueno D6/601
 D750,397 S * 3/2016 Werner D6/601
 D750,398 S * 3/2016 Werner D6/601
 D752,901 S * 4/2016 Ueno D6/601
 D754,990 S * 5/2016 Velasquez D6/601
 D755,543 S * 5/2016 Upadhyay D6/601
 D756,687 S * 5/2016 Durkin D6/601
 D759,406 S * 6/2016 Peterson D6/601
 D759,991 S * 6/2016 Jing D6/601
 D771,414 S * 11/2016 Krishtul D6/601
 D775,484 S * 1/2017 Moore D6/601
 D775,862 S * 1/2017 Chen D6/601
 D781,076 S * 3/2017 Stokes D6/601
 D802,335 S * 11/2017 Yang D6/601
 2009/0139031 A1 * 6/2009 Davis A47G 9/10
 5/639
 2013/0198961 A1 * 8/2013 Davis A47C 7/62
 5/648
 2015/0265075 A1 * 9/2015 Liu A61F 5/56
 5/640

* cited by examiner

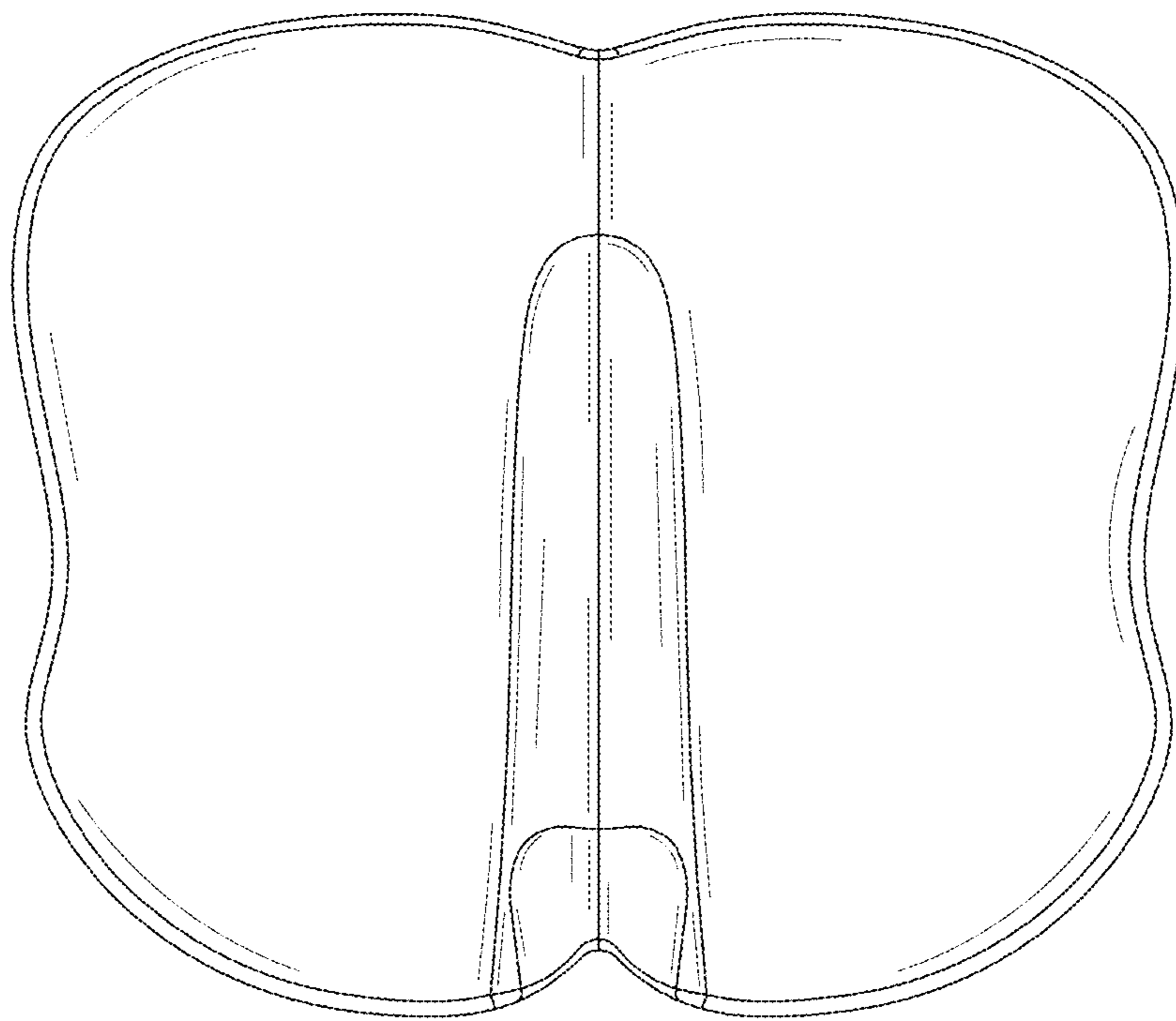


FIG.1

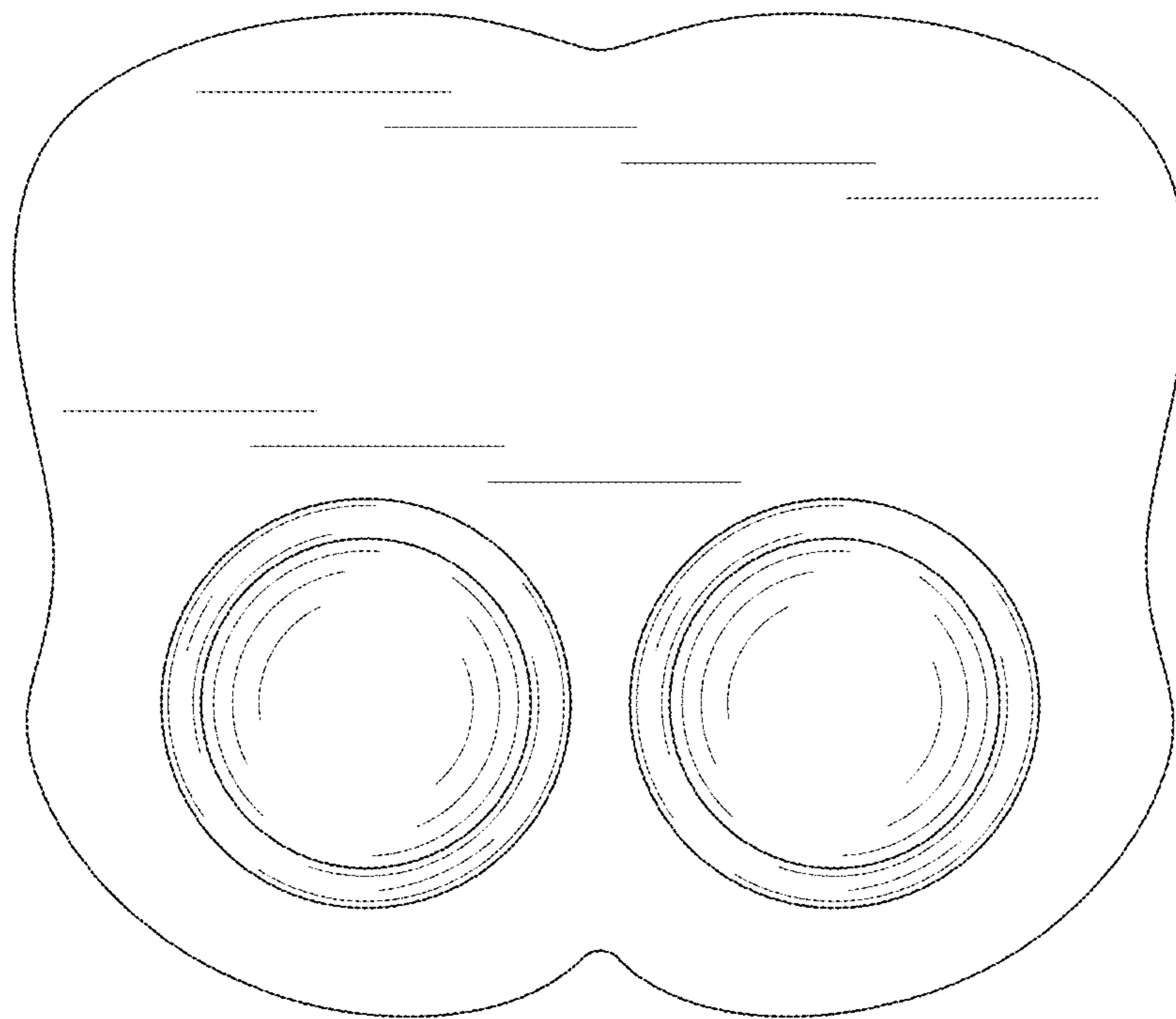


FIG.2

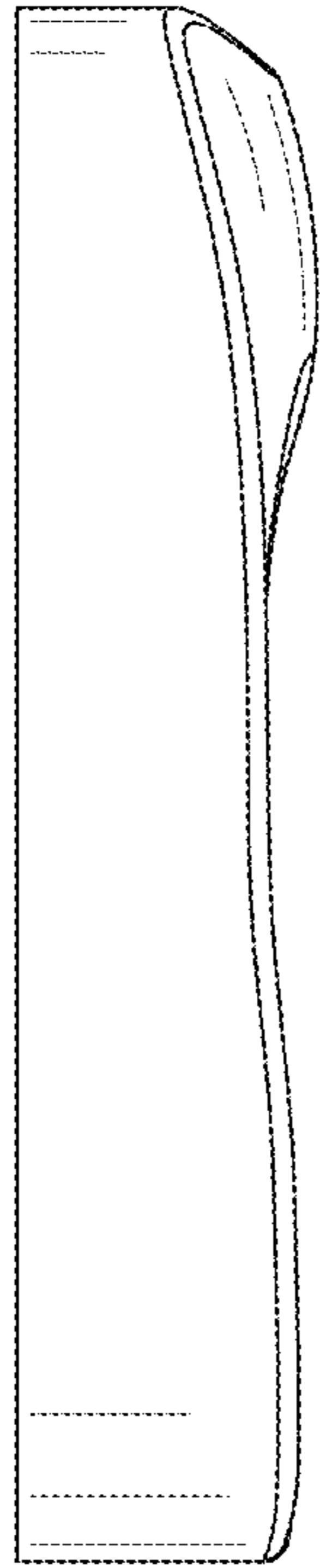


FIG. 3

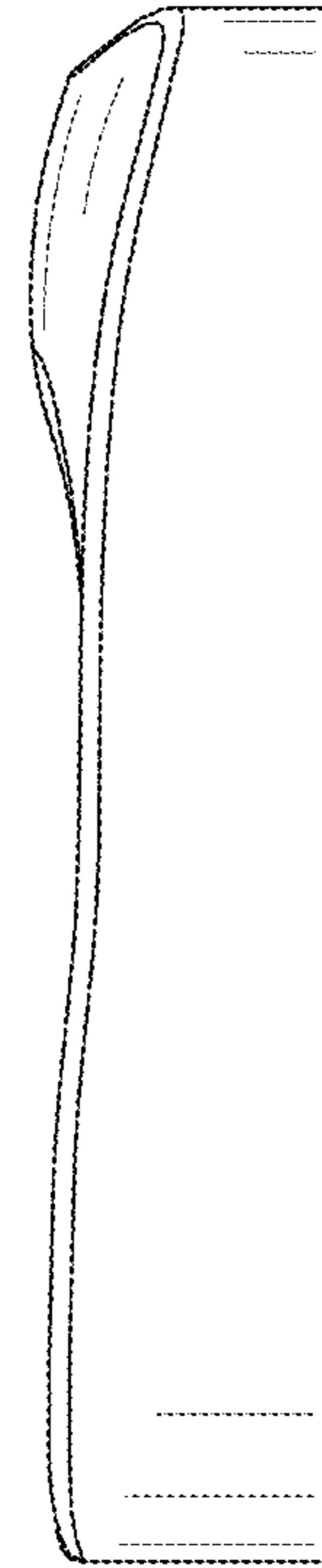


FIG. 4

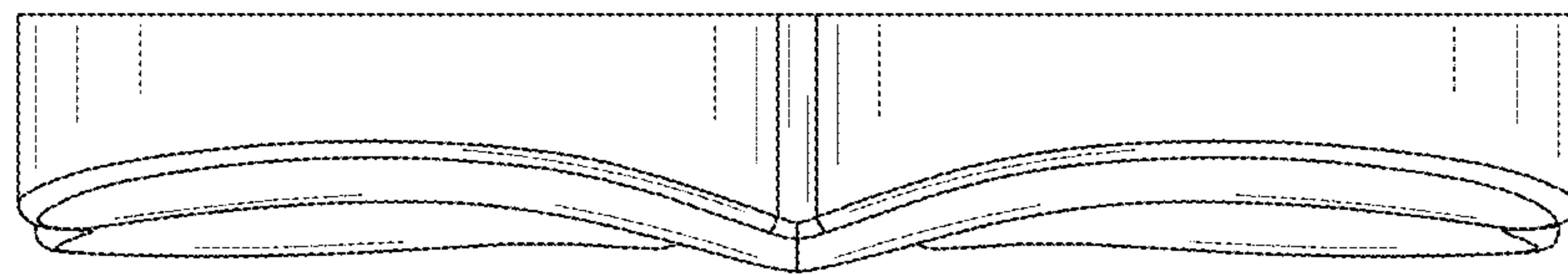


FIG. 5

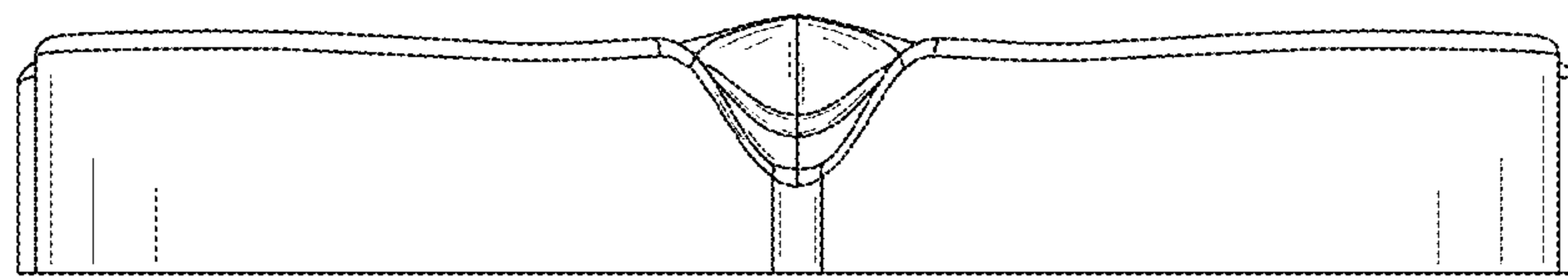


FIG. 6

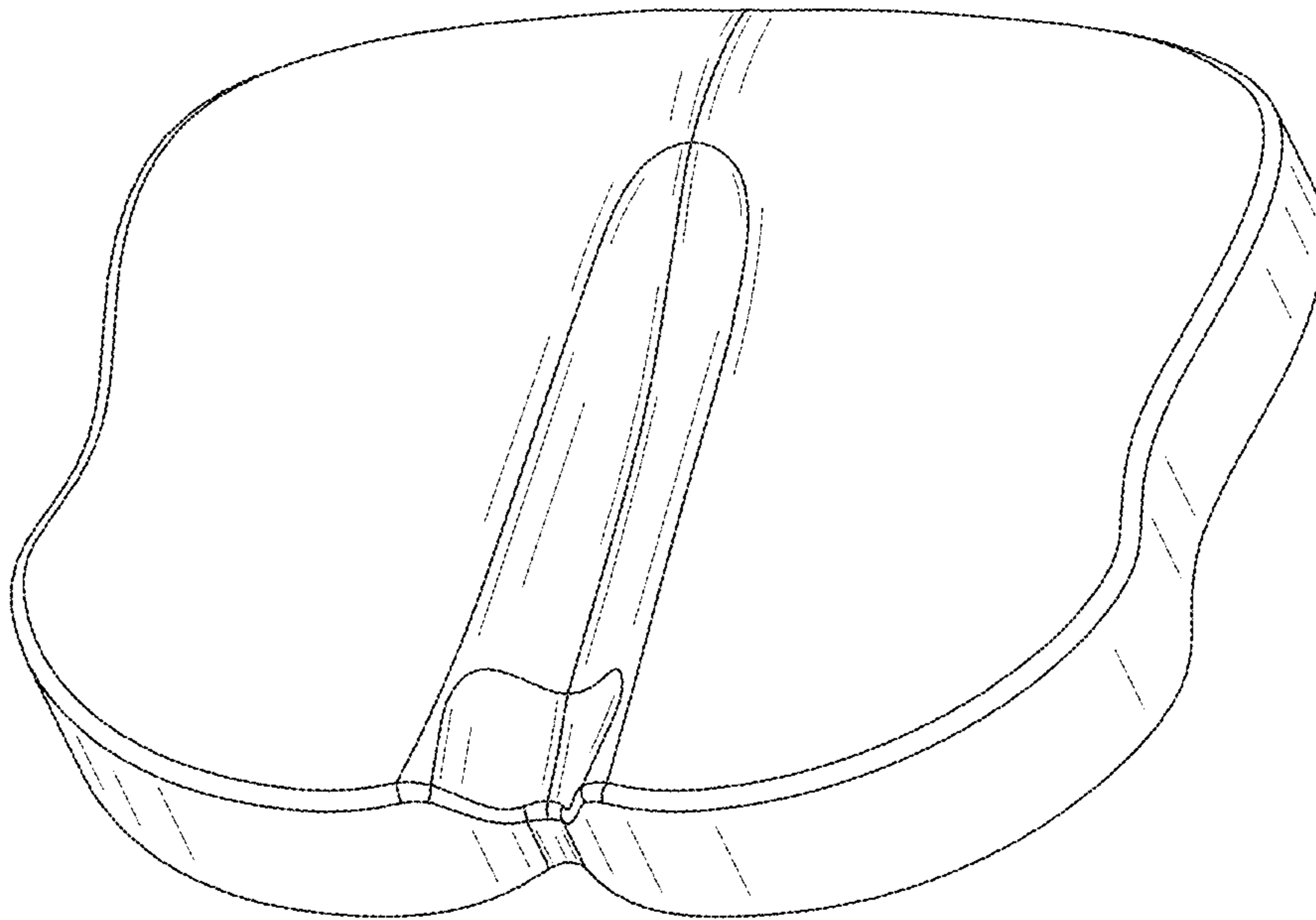


FIG.7

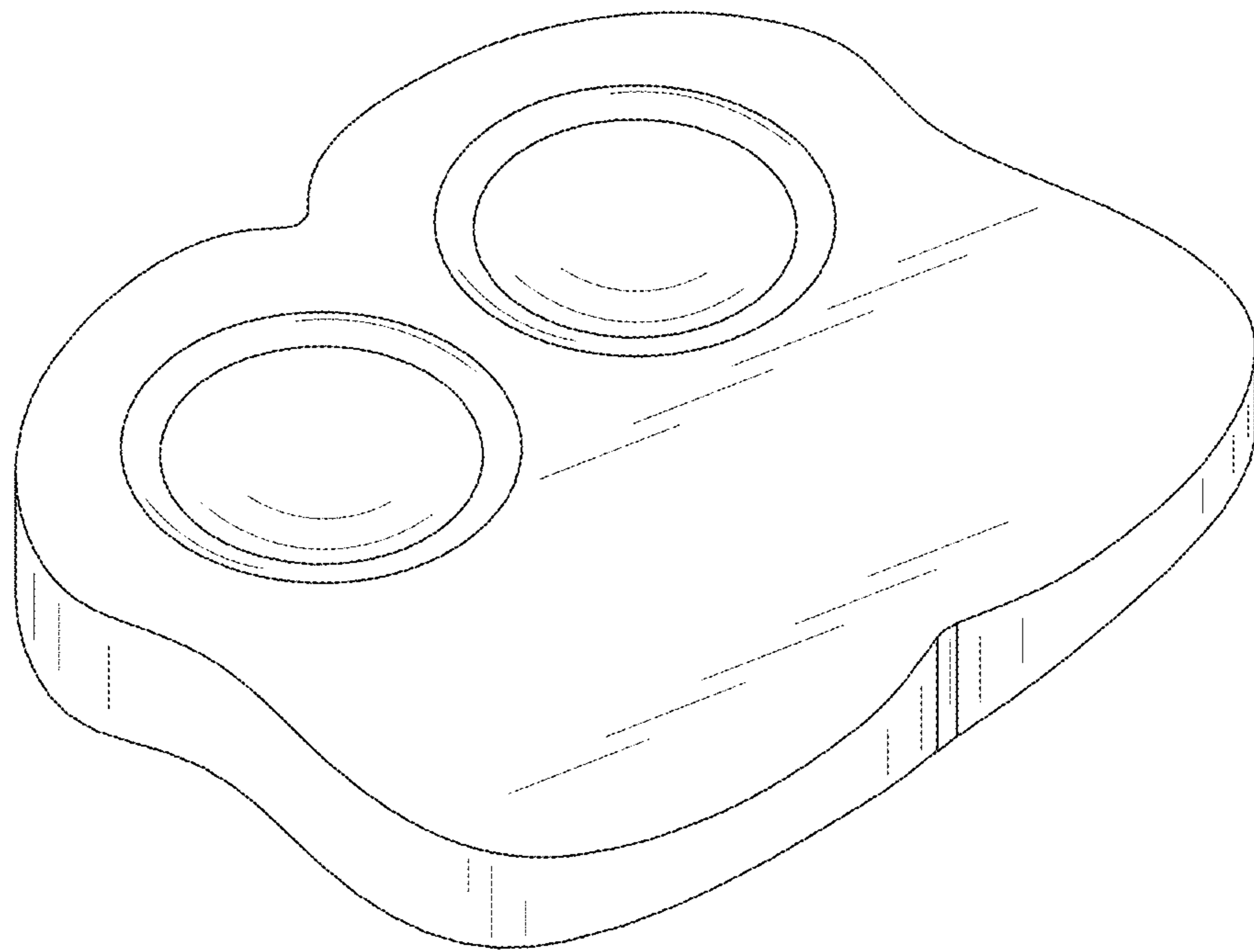


FIG.8