



US00D812928S

(12) **United States Design Patent** (10) **Patent No.:** **US D812,928 S**
Buell et al. (45) **Date of Patent:** **** Mar. 20, 2018**

(54) **DISPENSER STAND**

D671,346 S * 11/2012 Zlatic D23/208
D686,839 S 7/2013 Markwick
D734,086 S 7/2015 Tseng
D735,487 S * 8/2015 Marino D6/515
D796,868 S * 9/2017 Johnson D6/542

(71) Applicant: **GOJO Industries, Inc.**, Akron, OH (US)

(72) Inventors: **Shelby Jay Buell**, Medina, OH (US); **Andrew P. Tojek**, Garfield Heights, OH (US); **Mark W. Moore**, Aurora, OH (US)

(73) Assignee: **GOJO Industries, Inc.**, Akron, OH (US)

(**) Term: **15 Years**

(21) Appl. No.: **29/585,806**

(22) Filed: **Nov. 29, 2016**

(51) **LOC (11) Cl.** **23-02**

(52) **U.S. Cl.**
USPC **D6/542**

(58) **Field of Classification Search**
USPC D6/542, 512, 513, 545, 543, 515;
D7/300, 306, 313, 397; D9/733; D20/1;
D23/208; 206/225, 233, 389, 391;
211/13.1, 45; 222/108, 173
CPC A47K 5/00; B67D 3/0029; A47B 81/007;
A47F 9/04; F25D 2331/806; Y10T
225/238; A47G 19/183; A61C 15/043;
B65D 35/56; B65D 51/249

See application file for complete search history.

(56) **References Cited**

U.S. PATENT DOCUMENTS

D352,867 S * 11/1994 Morris D7/589
D359,546 S * 6/1995 Savage 23/207
D604,974 S 12/2009 Morrison

OTHER PUBLICATIONS

Notice of Allowance from U.S. Appl. No. 29/590,239 dated Dec. 8, 2017.

* cited by examiner

Primary Examiner — Wan Laymon

Assistant Examiner — Mark Booker

(74) *Attorney, Agent, or Firm* — Calfee, Halter & Griswold LLP

(57) **CLAIM**

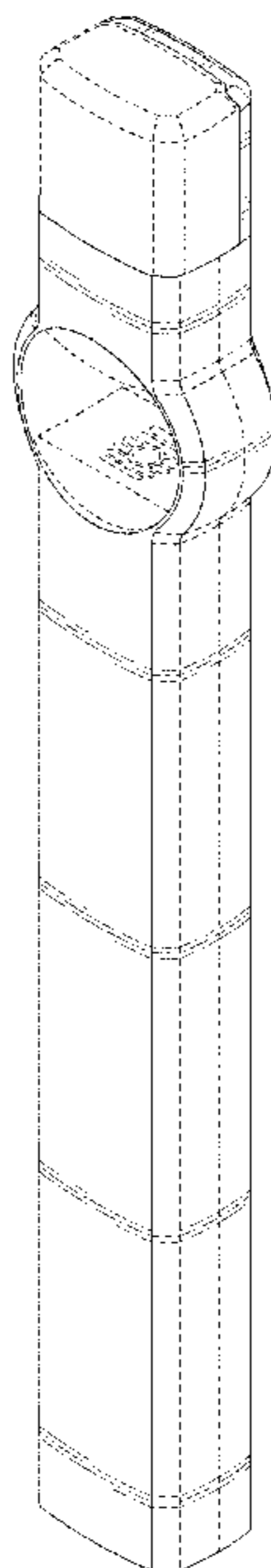
The ornamental design for a dispenser stand, as shown and described.

DESCRIPTION

FIG. 1 is a perspective view of a dispenser stand of the new design;
FIG. 2 is a top plan view of the dispenser stand of FIG. 1;
FIG. 3 is bottom view of the dispenser stand of FIG. 1;
FIG. 4 is front elevational view of the dispenser stand of FIG. 1;
FIG. 5 is a right side elevational view of the dispenser stand of FIG. 1;
FIG. 6 is a rear elevational view plan view of the dispenser stand of FIG. 1; and,
FIG. 7 is a left side elevational view of the dispenser stand of FIG. 1.

The portions of the Figures shown in broken lines are not part of the claimed design and are for illustration only.

1 Claim, 3 Drawing Sheets



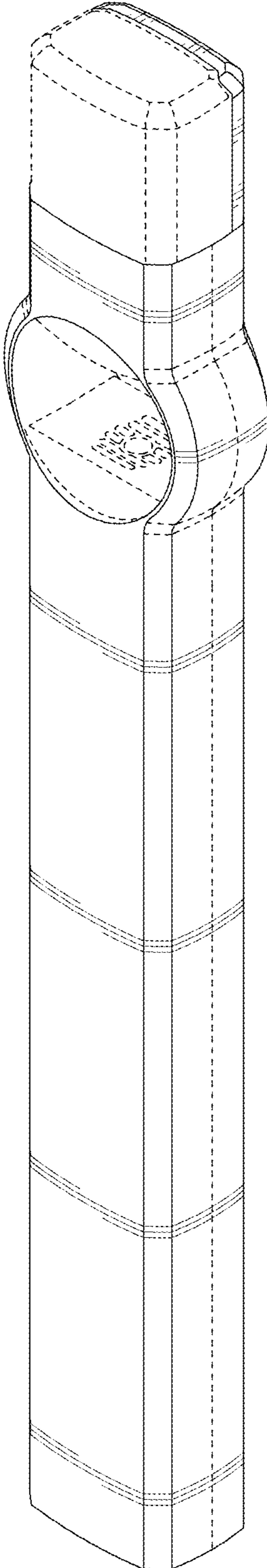


FIG. 1

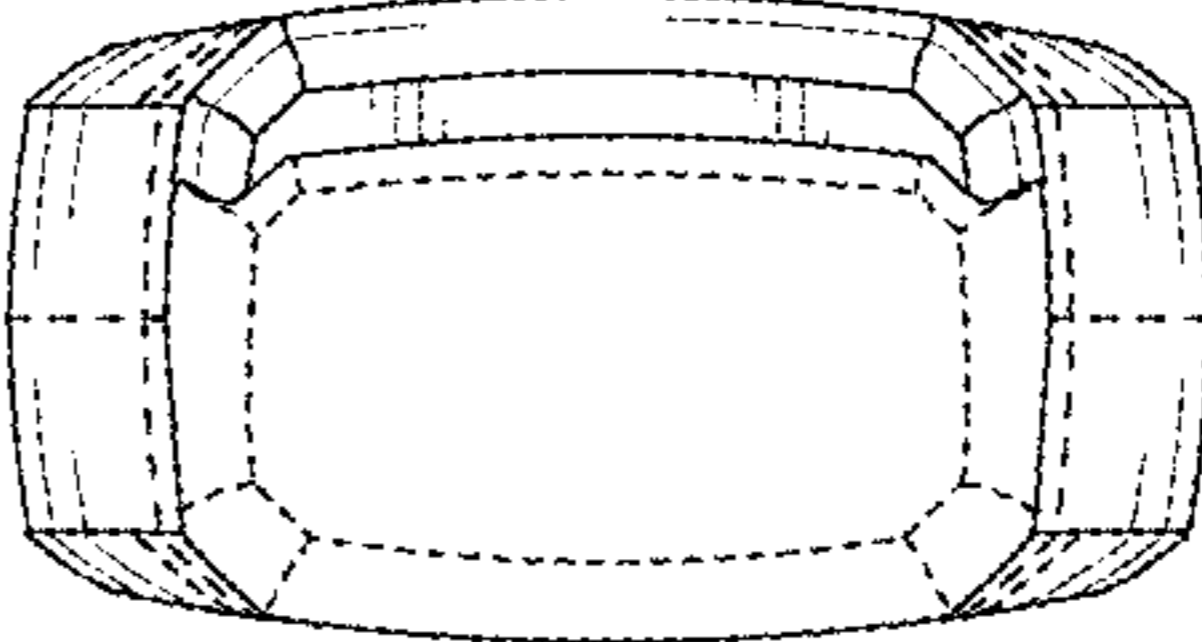


FIG. 2

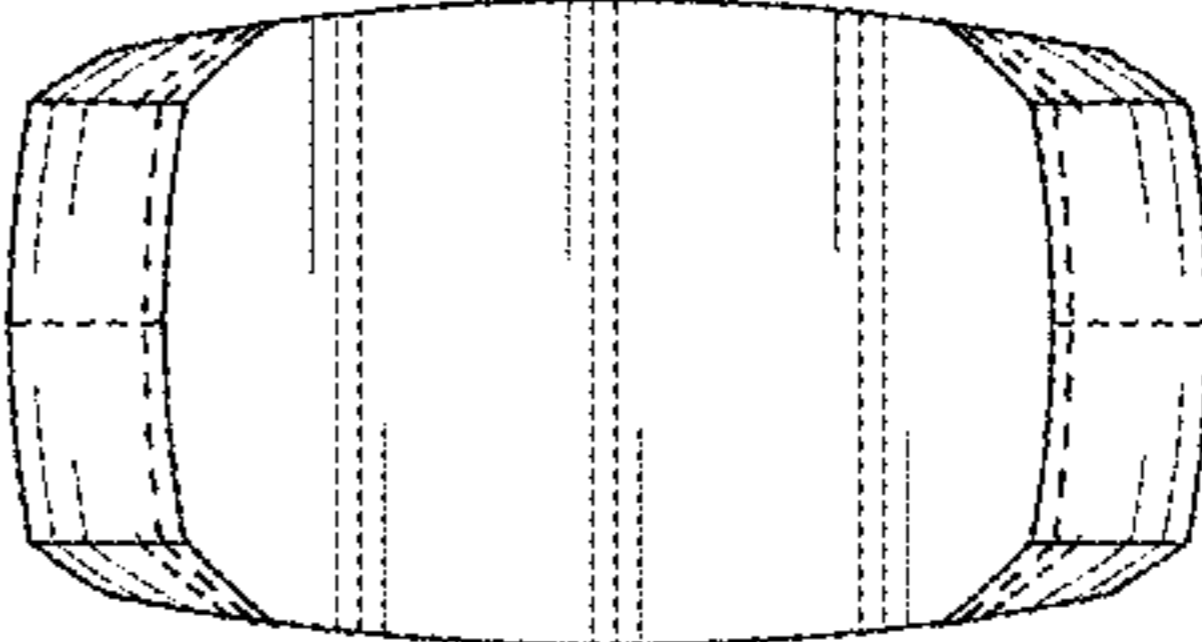


FIG. 3

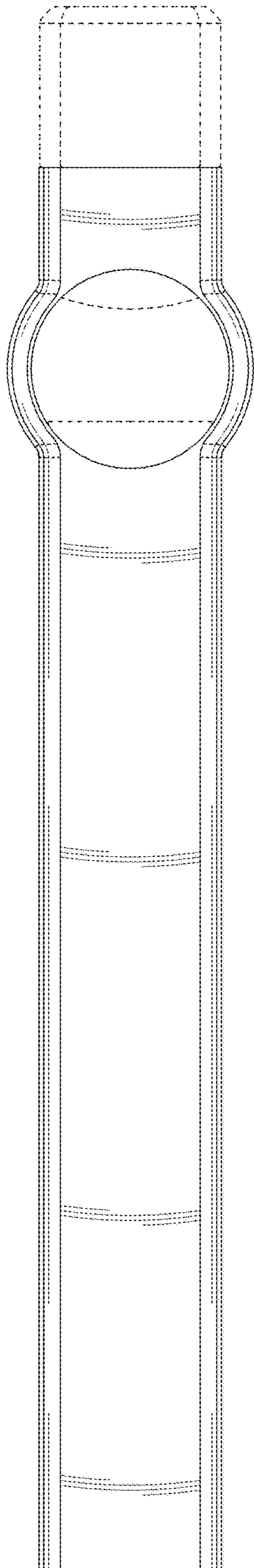


FIG. 4

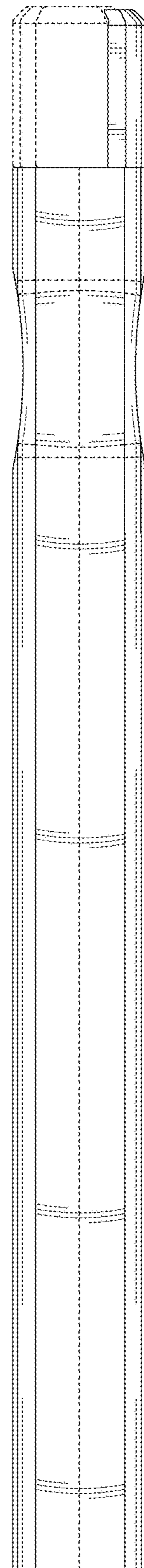


FIG. 5

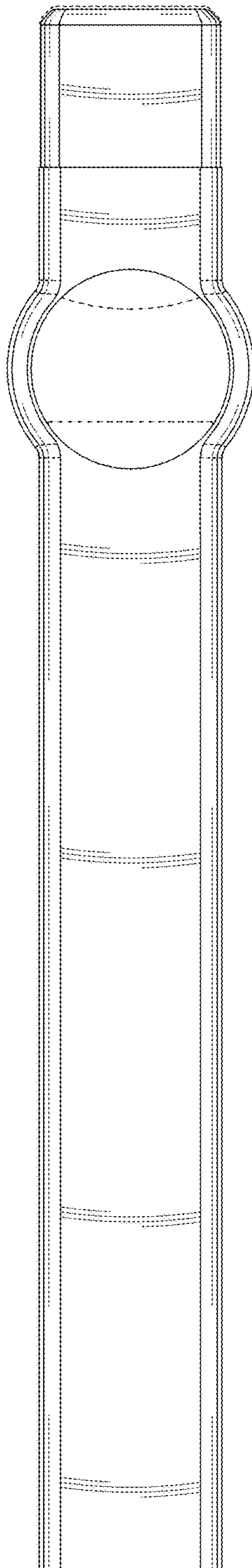


FIG. 6

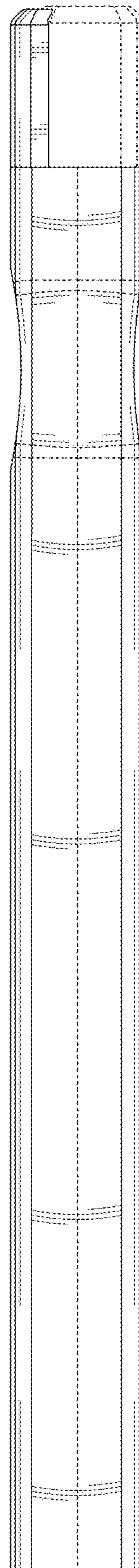


FIG. 7