



US00D812927S

(12) **United States Design Patent** (10) **Patent No.:** **US D812,927 S**
Schwarz (45) **Date of Patent:** **** Mar. 20, 2018**

(54) DENTAL HYGIENE STORAGE DEVICE	3,194,621 A	7/1965	Frost
	3,531,072 A	9/1970	Lindquist
(71) Applicant: Wilhelm Schwarz , Lebanon, PA (US)	3,796,454 A *	3/1974	Williamson A47J 43/283 206/553
(72) Inventor: Wilhelm Schwarz , Lebanon, PA (US)	3,894,550 A	7/1975	Eaton
	4,140,222 A	2/1979	Francavilla
(**) Term: 15 Years	D257,303 S *	10/1980	Nusz D6/321
	D268,531 S *	4/1983	Leppard D19/34.2
	D272,589 S *	2/1984	Shames D6/531
(21) Appl. No.: 29/599,394	4,566,597 A	1/1986	Caputo et al.
	D292,754 S *	11/1987	Mascenic, Jr. D6/300
(22) Filed: Apr. 3, 2017	4,860,891 A *	8/1989	Biggio B44D 3/125 15/257.05
	5,054,674 A	10/1991	Fortman
	D321,986 S *	12/1991	Snyder D4/101
	5,080,240 A *	1/1992	Williams B25H 3/04 211/13.1

Related U.S. Application Data

(63) Continuation-in-part of application No. 15/091,140, filed on Apr. 5, 2016, now Pat. No. 9,629,506.

(51) **LOC (11) Cl.** **23-02**

(52) **U.S. Cl.**
USPC **D6/534**; D6/528

(58) **Field of Classification Search**
USPC D6/534, 524, 526, 527, 528, 529-531, D6/551; 211/13.1, 66, 70.6, 86.01, 87.01, 211/88.01, 126.1, 134; D7/635, 701; 248/309.1; 206/208, 209, 209.1, 228, 206/361, 362, 362.1, 362.2, 362.3, 77.1; D4/104, 108, 113; 220/324; 15/247, 15/184, 167.1

CPC A47K 1/09; A61C 15/043; A61C 15/04; B65D 35/34; B65D 35/24

See application file for complete search history.

(56) **References Cited**

U.S. PATENT DOCUMENTS

338,402 A	3/1886	Griswold
1,615,571 A	1/1927	Carl
1,711,327 A	4/1929	Lorena
1,713,379 A	5/1929	Fromwiller
1,955,739 A	4/1934	Dow
2,576,303 A	11/1951	Matter
2,967,651 A	1/1961	Zackheim et al.
3,135,392 A *	6/1964	Elkins A47D 15/00 206/380

(Continued)

Primary Examiner — David Muller

Assistant Examiner — Nathan Johnston

(74) *Attorney, Agent, or Firm* — Global Intellectual Property Agency, LLC; Jordan Sworen

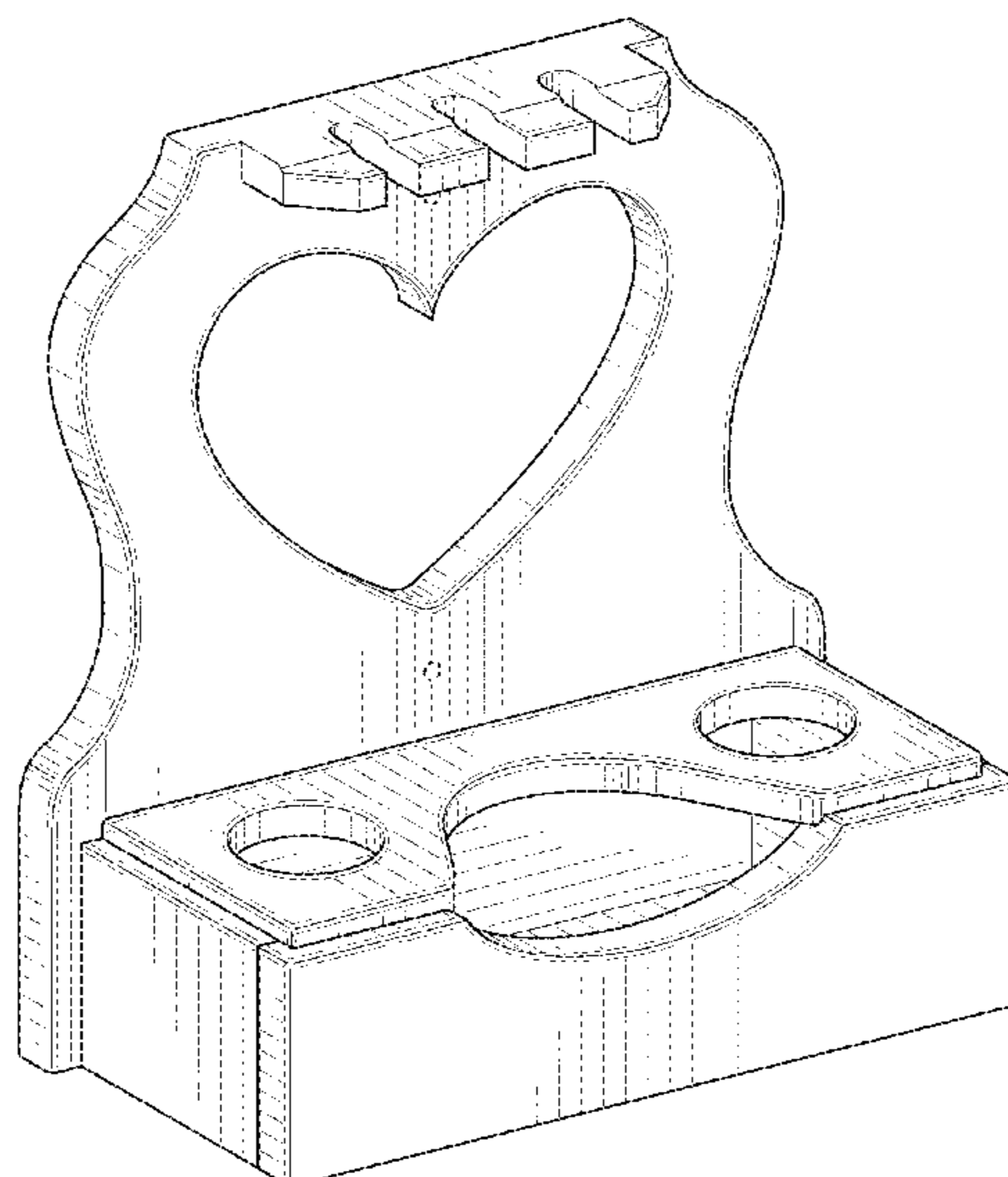
(57) **CLAIM**

The ornamental design for a dental hygiene storage device, as shown and described.

DESCRIPTION

FIG. 1 shows a perspective view of a dental hygiene storage device showing my new design; FIG. 2 shows a front elevation view thereof; FIG. 3 shows a rear elevation view thereof; FIG. 4 shows a right side elevation view thereof; FIG. 5 shows a left side elevation view thereof; FIG. 6 shows a top plan view thereof; and, FIG. 7 shows a bottom plan view thereof. The broken lines shown in the Figures show portions of the dental hygiene storage device which form no part of the claimed design.

1 Claim, 5 Drawing Sheets



(56)

References Cited

U.S. PATENT DOCUMENTS

D335,598 S * 5/1993 Kerbs D6/525
 D341,973 S * 12/1993 Gerstmar D6/524
 D344,631 S * 3/1994 Reedy D4/101
 5,312,000 A * 5/1994 Bass A47F 7/286
 211/4
 D348,485 S * 7/1994 Short D19/90
 D351,042 S * 9/1994 Sulezich D6/525
 D355,555 S * 2/1995 Ryan D6/569
 D356,227 S * 3/1995 Hay D6/528
 D358,049 S * 5/1995 Wilson D19/78
 5,680,933 A 10/1997 Miller
 D386,639 S * 11/1997 Everett D6/525
 D405,996 S * 2/1999 Mickler D6/527
 D406,483 S * 3/1999 Bast D6/552
 6,401,943 B1 * 6/2002 Root A47K 1/09
 206/362.1
 6,877,619 B1 * 4/2005 Han A47K 1/09
 211/65

D587,051 S * 2/2009 Vining D6/552
 D602,724 S * 10/2009 Liu D6/567
 D604,975 S * 12/2009 Racanelli D6/534
 D607,607 S * 1/2010 Russell D28/38
 D608,577 S * 1/2010 Racanelli D6/534
 D618,937 S * 7/2010 Hadley D6/534
 D632,110 S * 2/2011 Cooper D6/526
 D663,982 S * 7/2012 Purcell D6/525
 D670,116 S * 11/2012 Amato D6/528
 D712,679 S * 9/2014 Collins D6/569
 D712,680 S * 9/2014 Soldan D6/569
 9,629,506 B1 * 4/2017 Schwarz A47K 1/09
 D790,249 S * 6/2017 Park D6/540
 2001/0003332 A1 * 6/2001 Ventnor A47K 1/09
 211/70.6
 2003/0024546 A1 2/2003 Linttell
 2004/0050733 A1 3/2004 Page et al.
 2008/0006550 A1 * 1/2008 Dietrich A47K 1/09
 206/362.1
 2011/0133611 A1 6/2011 Clarke et al.

* cited by examiner

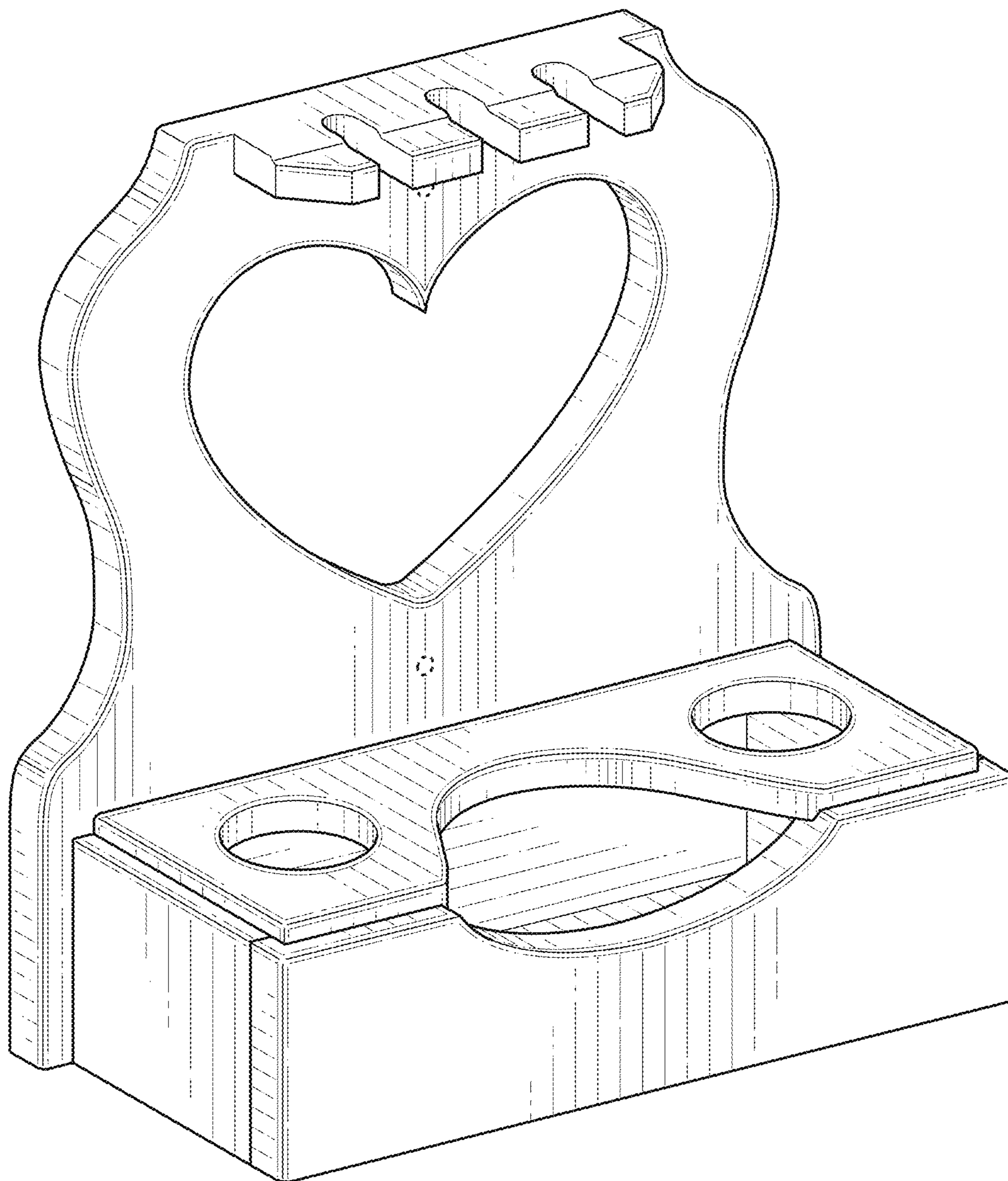


FIG. 1

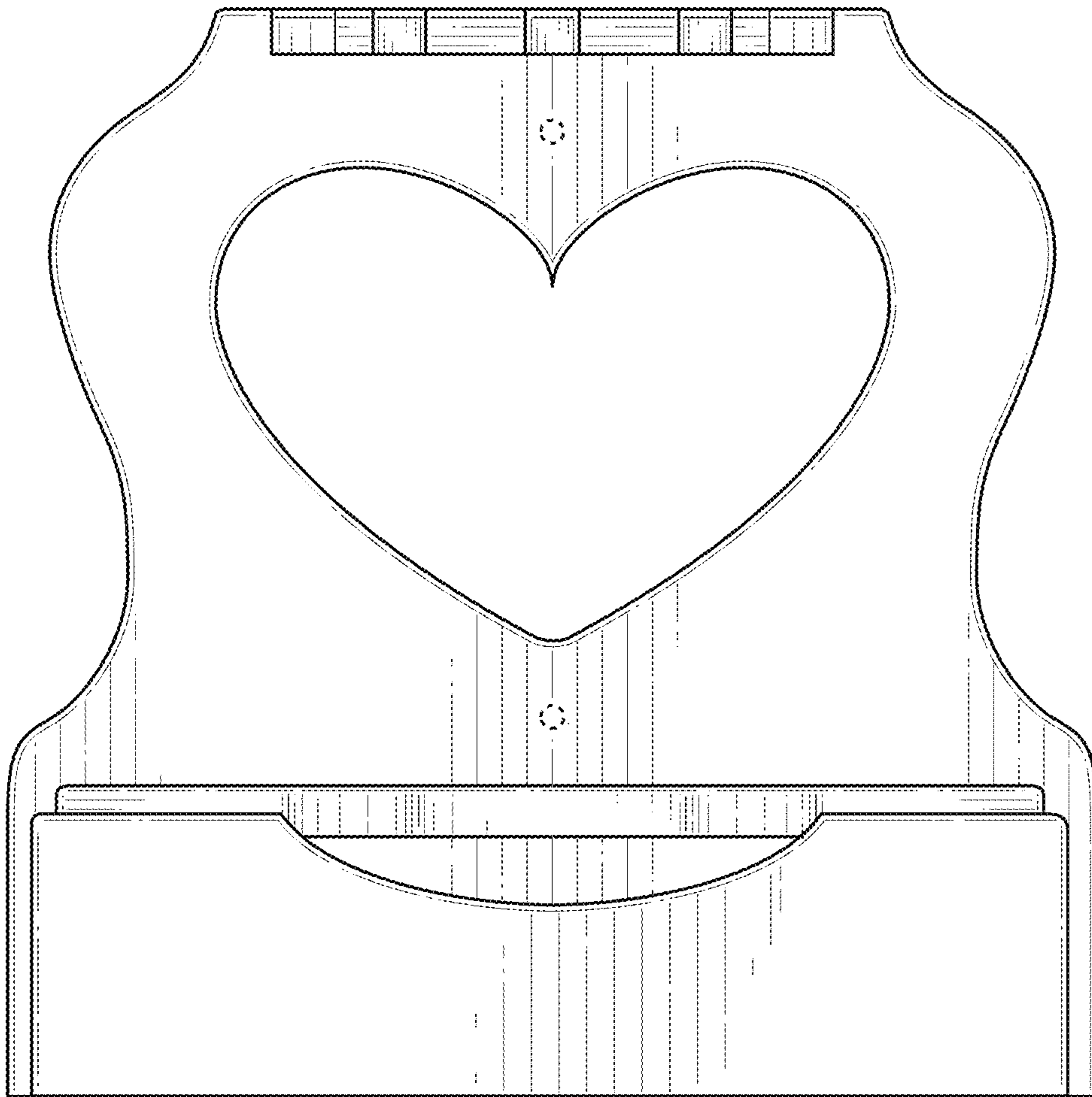


FIG. 2

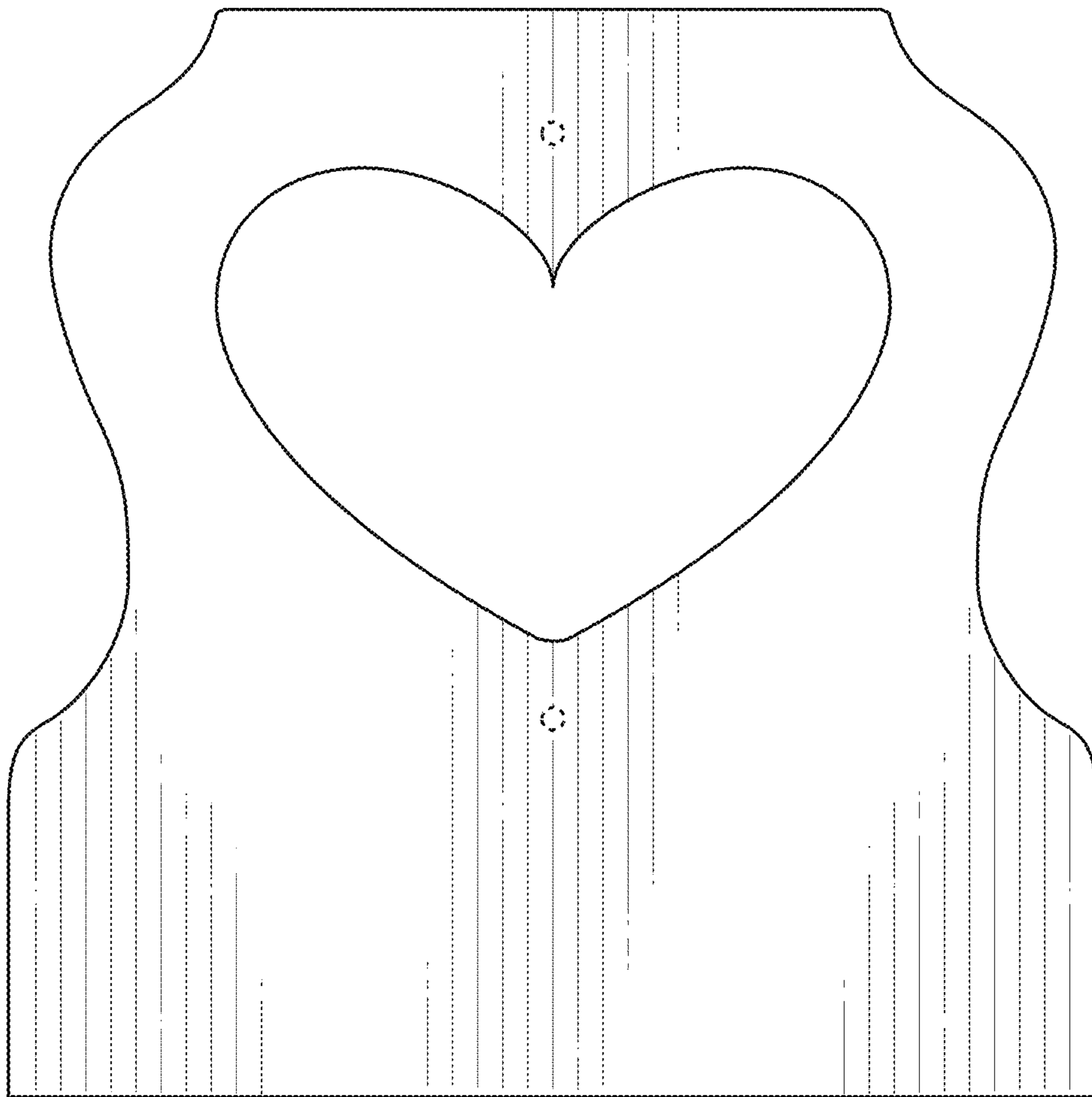


FIG. 3

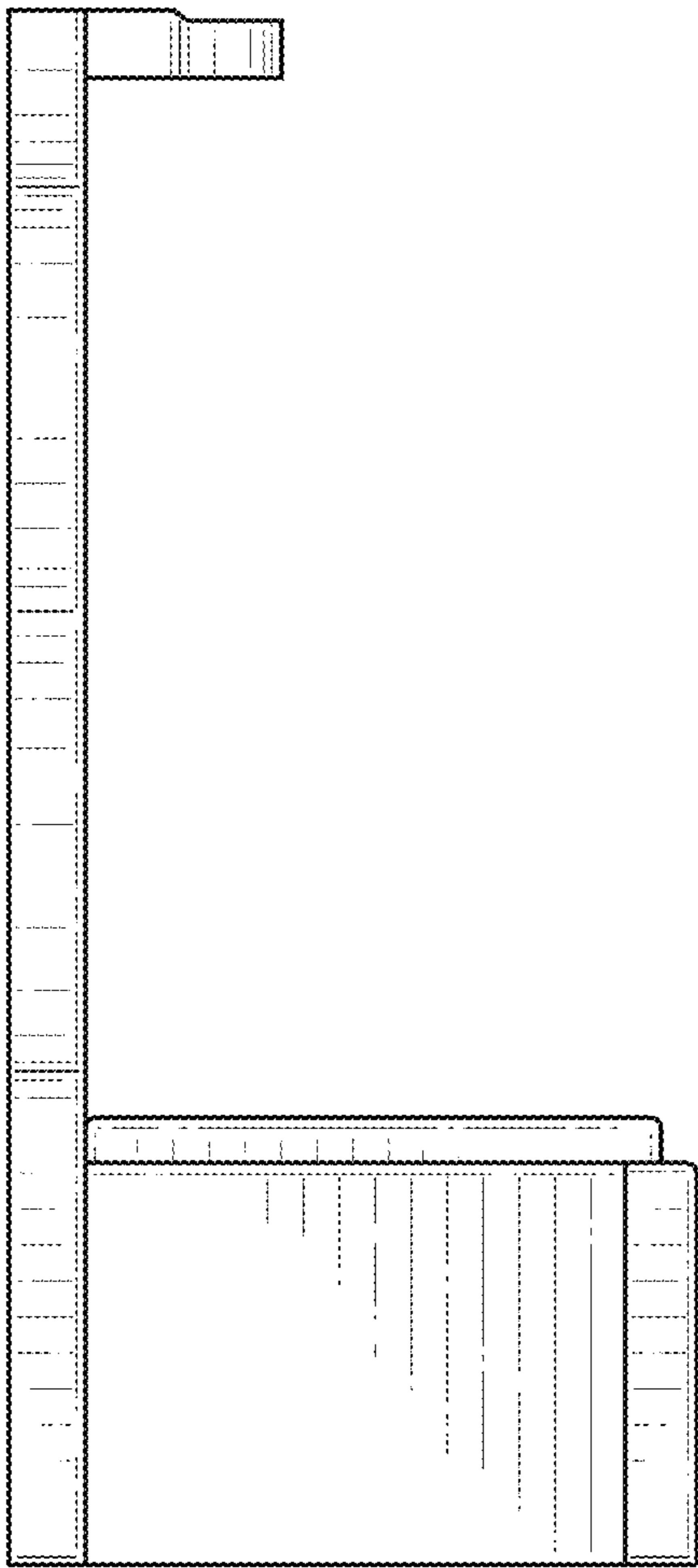


FIG. 4

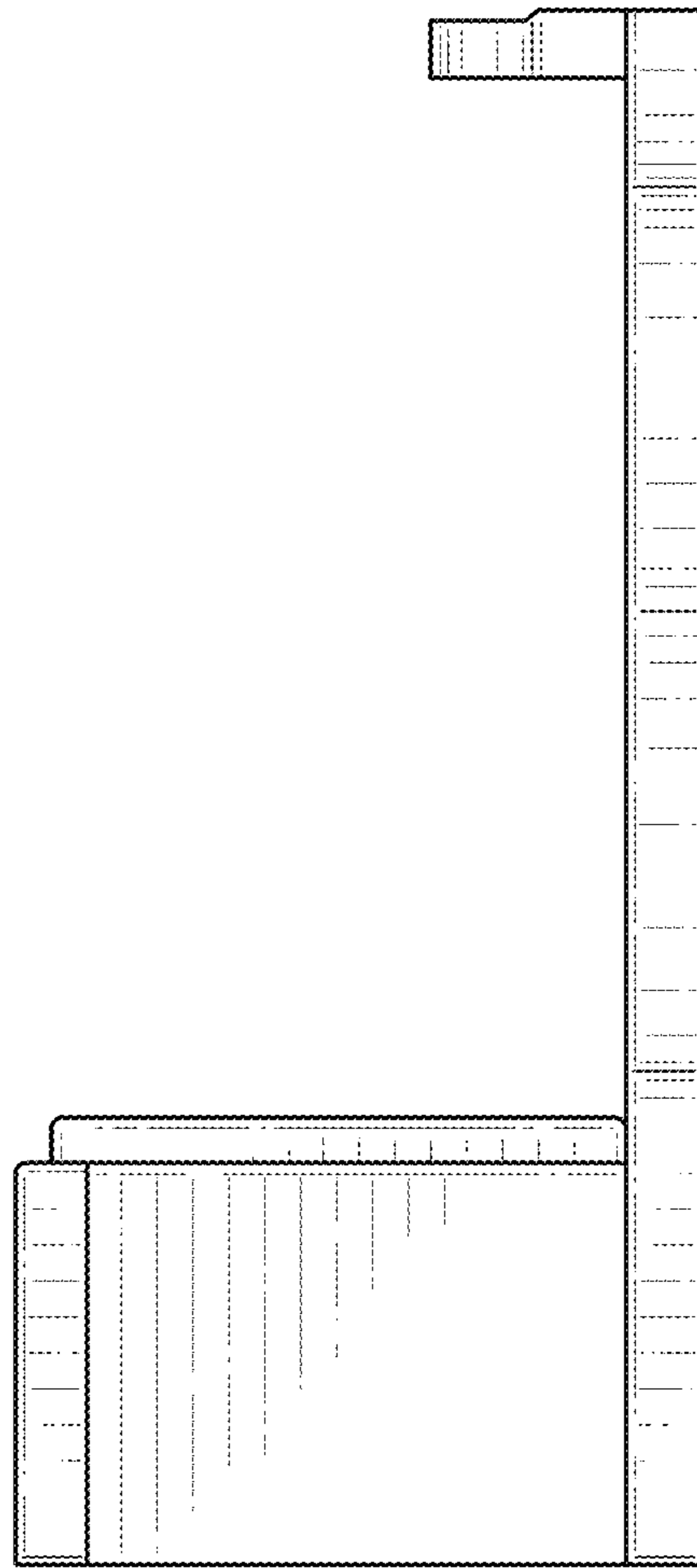


FIG. 5

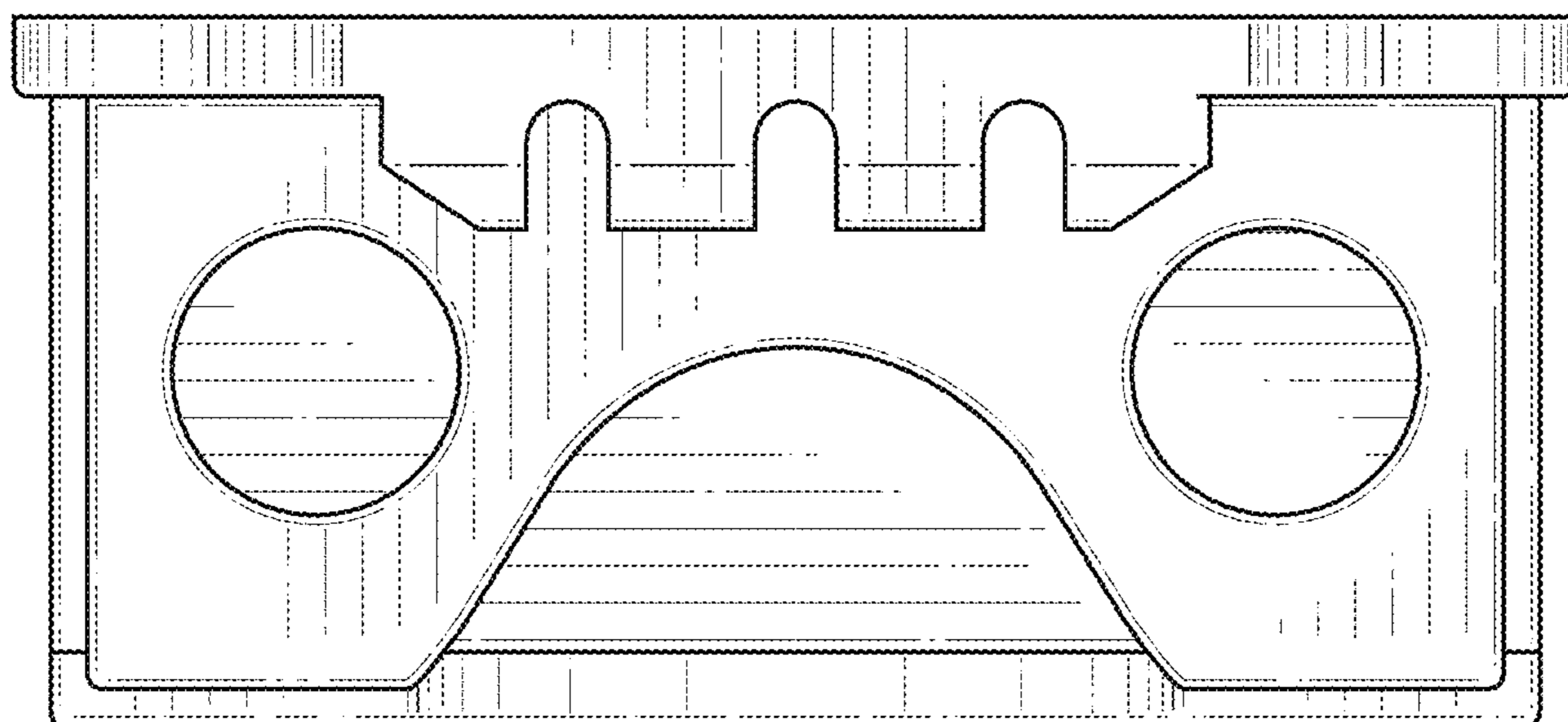


FIG. 6

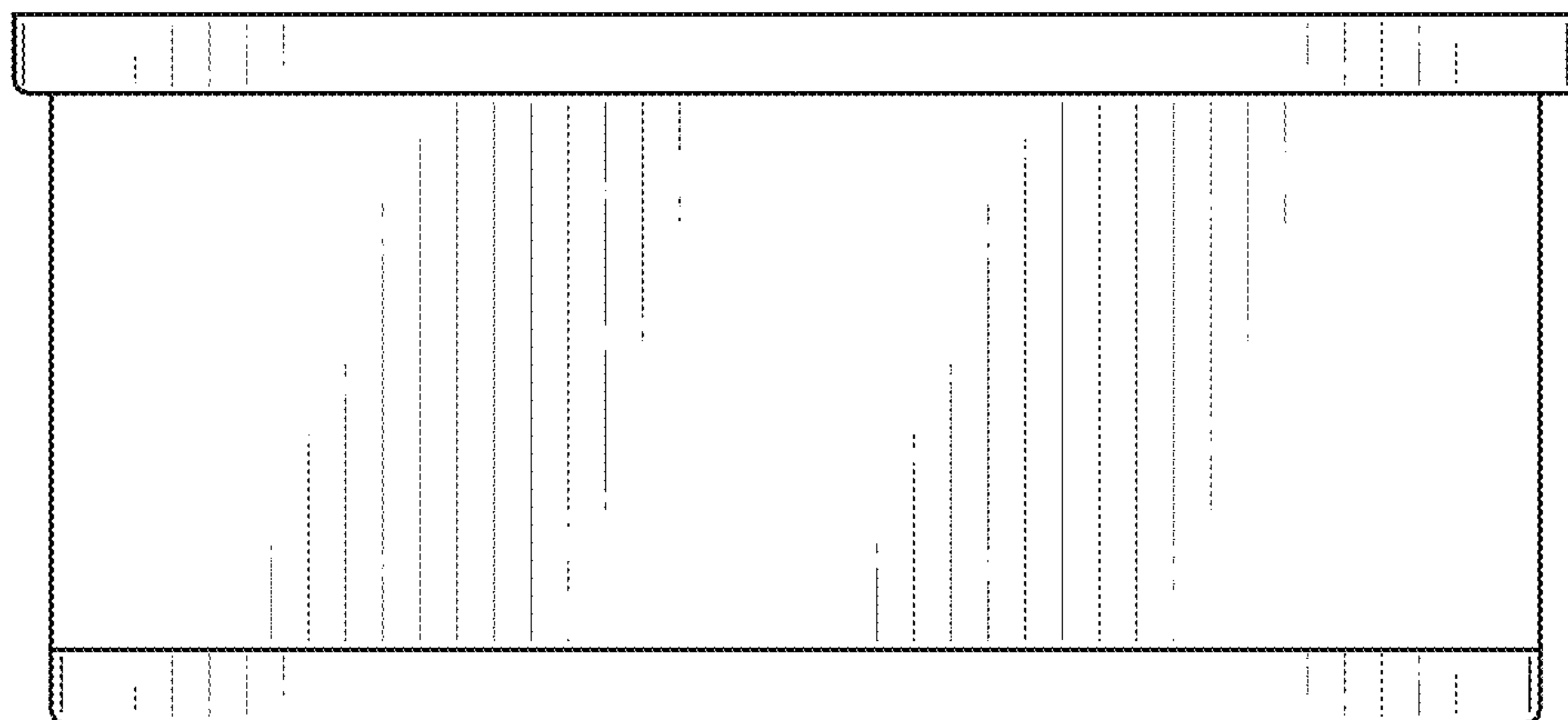


FIG. 7