



US00D812926S

(12) **United States Design Patent**  
**Van Scoyoc et al.**

(10) **Patent No.:** **US D812,926 S**  
(45) **Date of Patent:** **\*\* Mar. 20, 2018**

(54) **WIPES CONTAINER**

(71) Applicant: **SKIP HOP, INC.**, New York, NY (US)

(72) Inventors: **Velissa Van Scoyoc**, New York, NY (US); **Benjamin Bearsch**, Brooklyn, NY (US); **Dah Rong Kao**, New York, NY (US); **Janet Villano**, Jersey City, NJ (US); **Ellen Diamant**, New York, NY (US)

(73) Assignee: **SKIP HOP, INC.**, New York, NY (US)

(\*\*) Term: **15 Years**

(21) Appl. No.: **29/580,077**

(22) Filed: **Oct. 5, 2016**

(51) **LOC (11) Cl.** ..... **20-02**

(52) **U.S. Cl.**  
USPC ..... **D6/518**

(58) **Field of Classification Search**  
USPC ..... D6/518-523, 515; 211/85.5, 59.2; 206/389, 391, 407, 409; 221/92, 97, 185, 221/282, 284; 312/34.1, 34.8; 242/159, 242/160.2, 550, 560, 590, 594, 59, 588, 242/598, 598.3, 598.65; D3/201  
CPC ..... A47K 10/421; A47K 10/424; A47K 2010/3266; A47K 10/32; B65D 83/0805; B65D 15/24; B65D 1/00; A45C 1/00  
See application file for complete search history.

(56) **References Cited**

**U.S. PATENT DOCUMENTS**

D443,451 S *	6/2001	Buck	.....	D6/518
D468,567 S *	1/2003	Trevett	.....	D6/515
D473,740 S *	4/2003	Ruhotas	.....	D6/515
D479,420 S *	9/2003	White	.....	D6/518
D485,461 S *	1/2004	Sams	.....	D6/515
D516,801 S *	3/2006	Jones, III	.....	D3/203.2

D525,464 S *	7/2006	Khurana	.....	D6/518
D545,097 S *	6/2007	Schlaupitz	.....	D6/518
D546,602 S *	7/2007	Chasid	.....	D6/518
D615,420 S *	5/2010	Joo	.....	D9/730
D631,483 S *	1/2011	Nelson	.....	D14/484.1
D756,681 S *	5/2016	MacVittie	.....	D3/203.2
D758,065 S *	6/2016	Zwetzig	.....	D3/201

**OTHER PUBLICATIONS**

Amazon.com, Skip Hop On-the-Go Snug Seal Baby Wipes Case, Grey; Apr. 9, 2016, [https://www.amazon.com/Skip-Hop-Snug-Seal-Wipes/dp/B01APOEVV4/ref=sr\\_1\\_1\\_a\\_it?ie=UTF8&qid=1506535233&sr=8-1&keywords=skip+hop+wipes+case](https://www.amazon.com/Skip-Hop-Snug-Seal-Wipes/dp/B01APOEVV4/ref=sr_1_1_a_it?ie=UTF8&qid=1506535233&sr=8-1&keywords=skip+hop+wipes+case) (Year: 2016).\*

\* cited by examiner

*Primary Examiner* — David G Muller

*Assistant Examiner* — Nathan M Johnston

(74) *Attorney, Agent, or Firm* — Stephen J. Weyer, Esq.; Stites & Harbison, PLLC

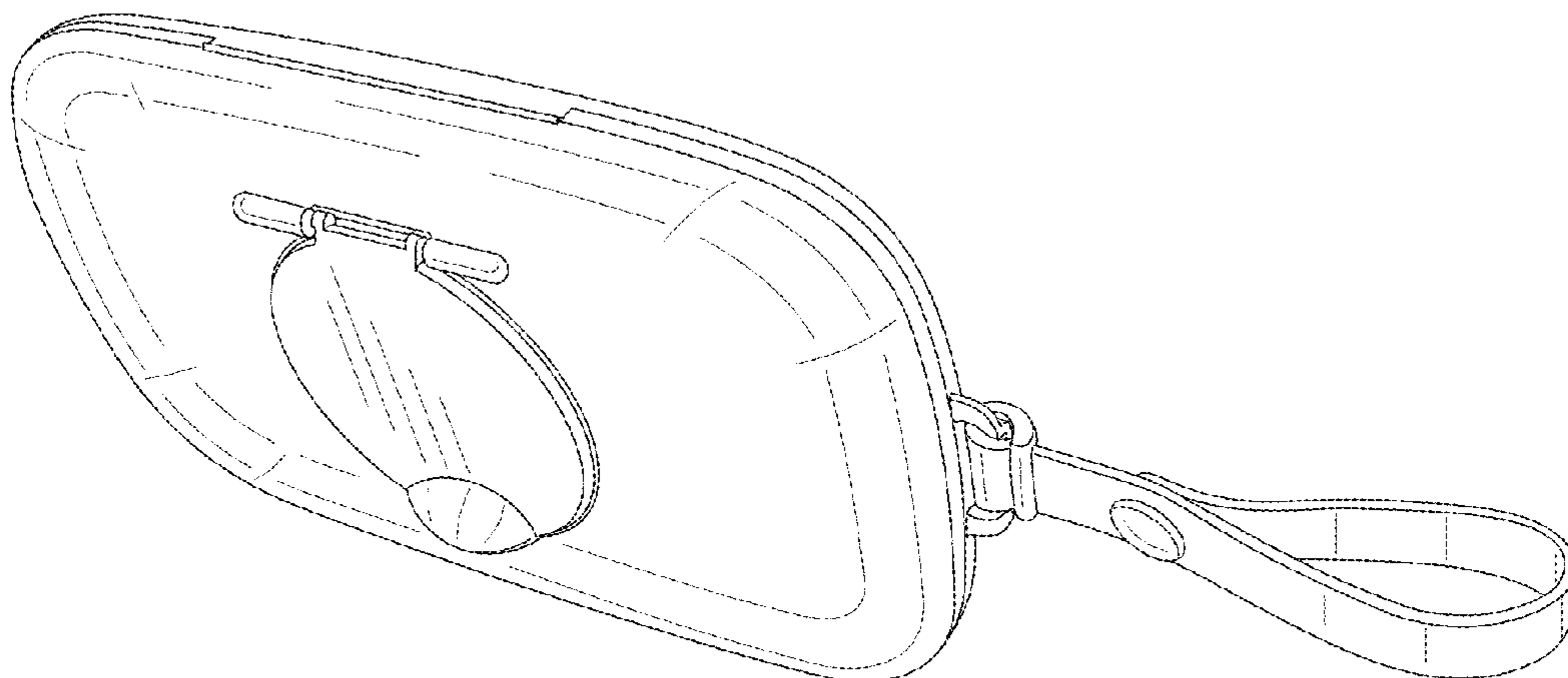
(57) **CLAIM**

The ornamental design for a wipes container, as shown and described.

**DESCRIPTION**

FIG. 1 is a perspective view taken from the front, top and right side of the wipes container of the present design. FIG. 2 is a perspective view taken from the front, top and left side thereof. FIG. 3 is a front elevation view thereof. FIG. 4 is a rear elevation view thereof. FIG. 5 is a left side elevation view thereof. FIG. 6 is a right side elevation view thereof. FIG. 7 is a top plan view thereof; and, FIG. 8 is a bottom plan view thereof.

**1 Claim, 6 Drawing Sheets**



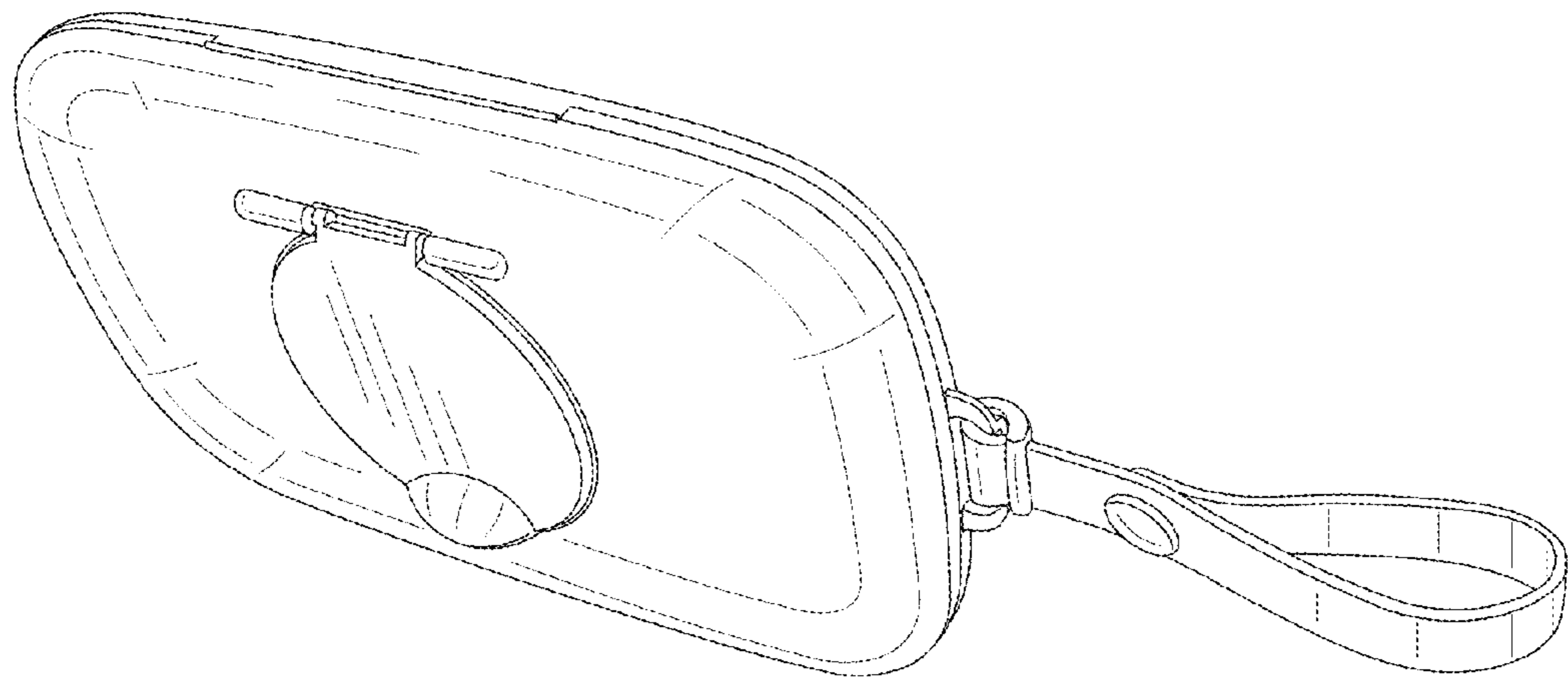


FIG. 1

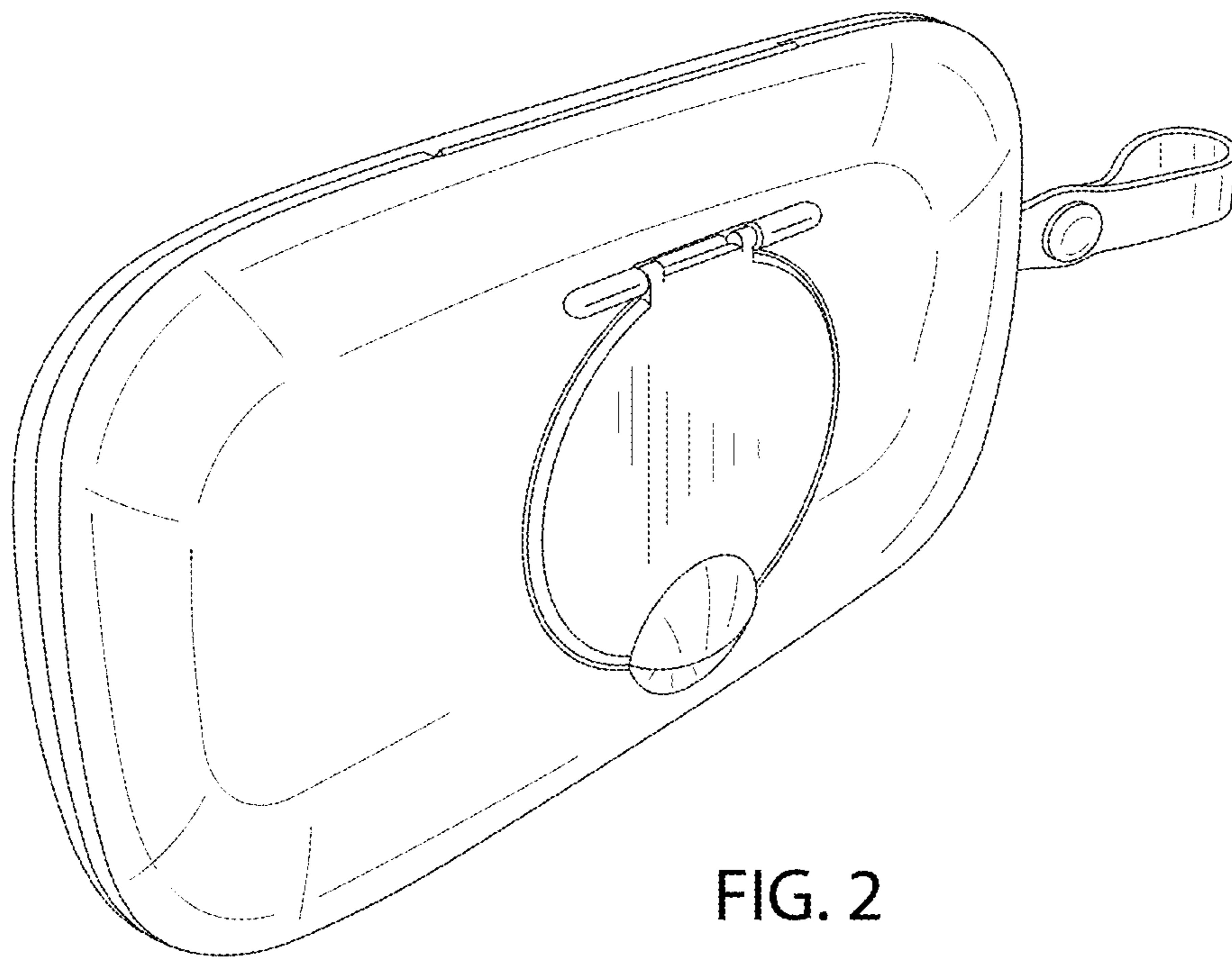


FIG. 2

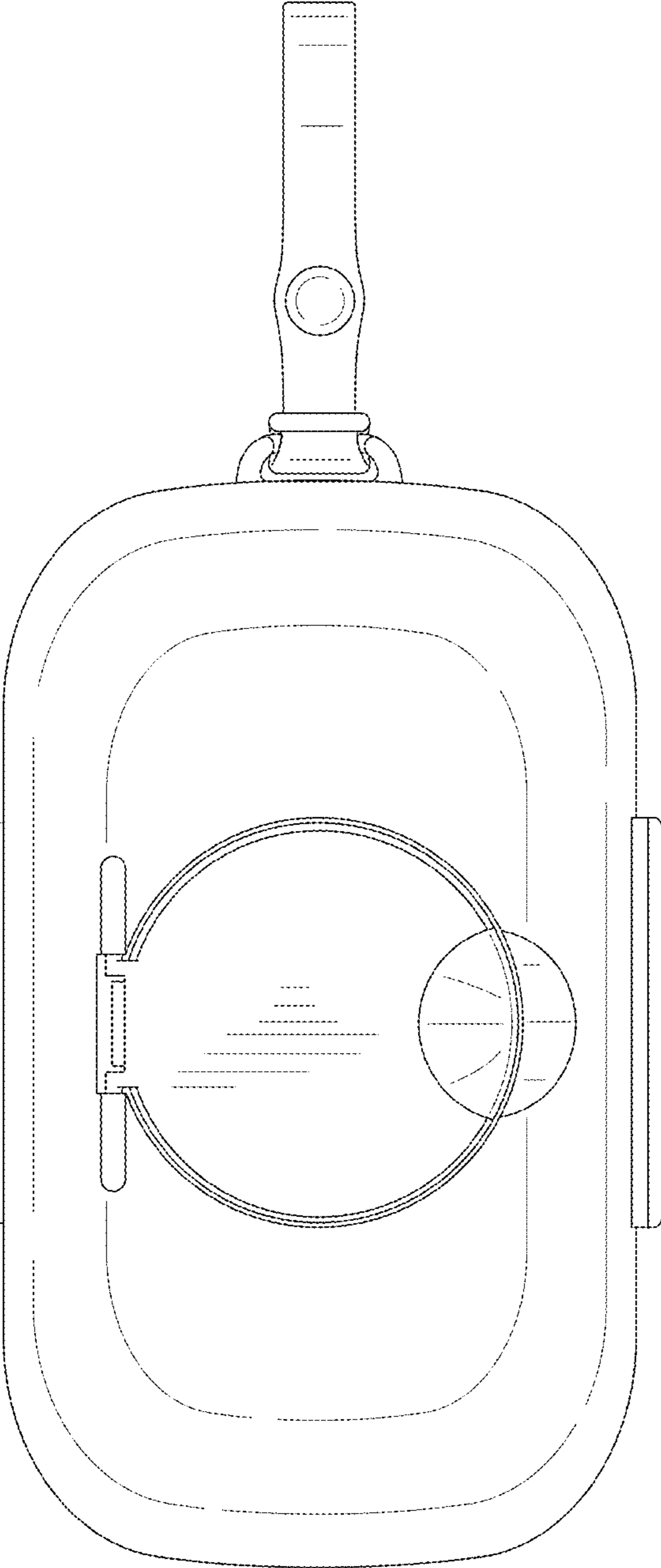


Fig. 3

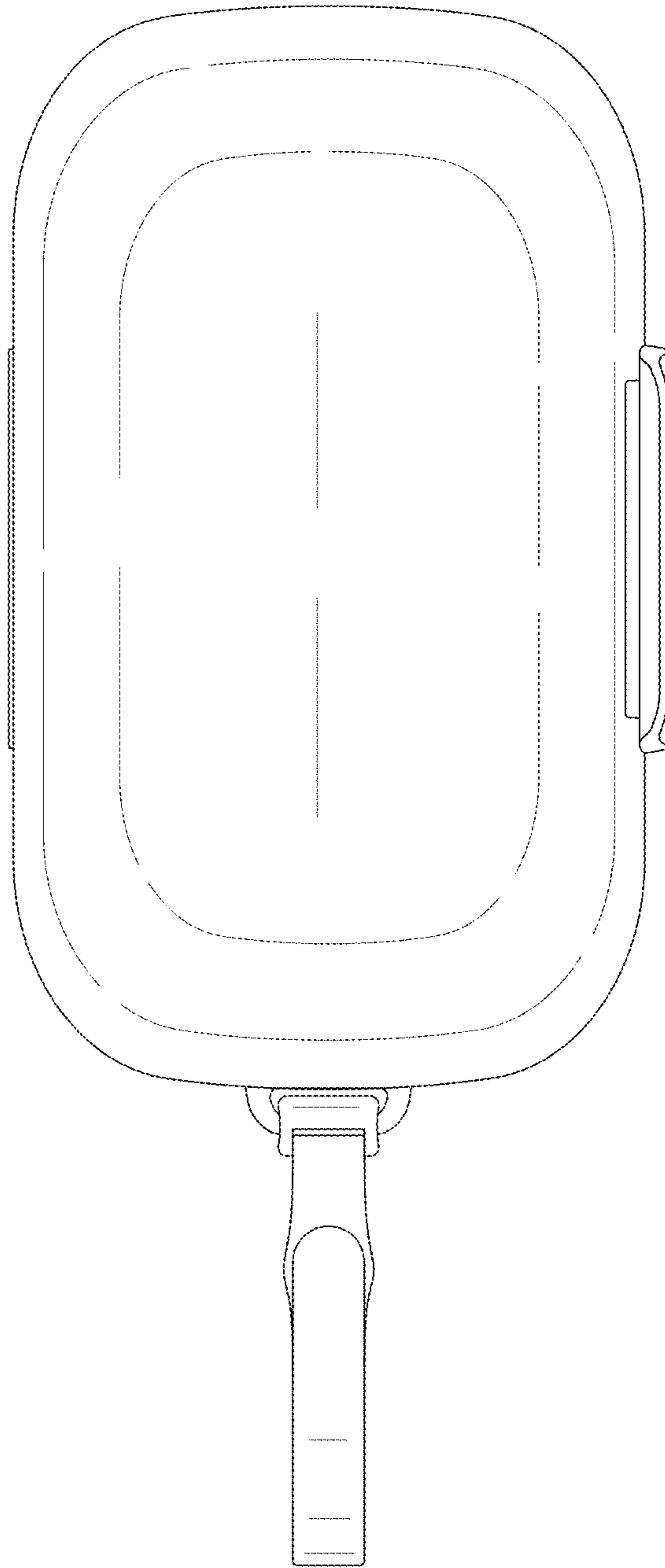


Fig. 4

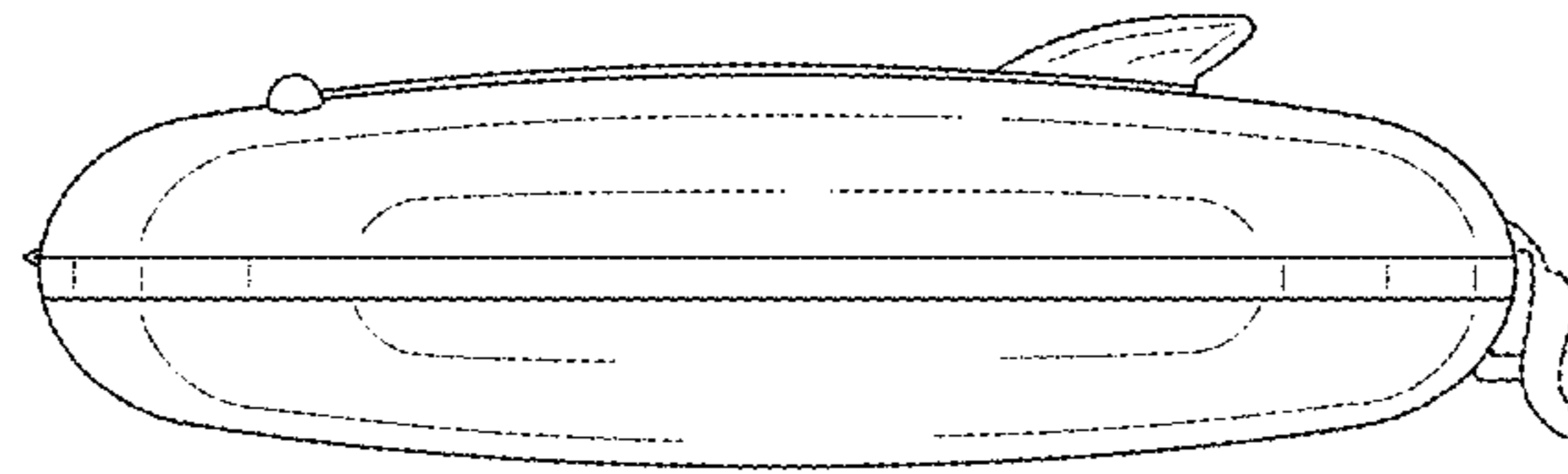


Fig. 5

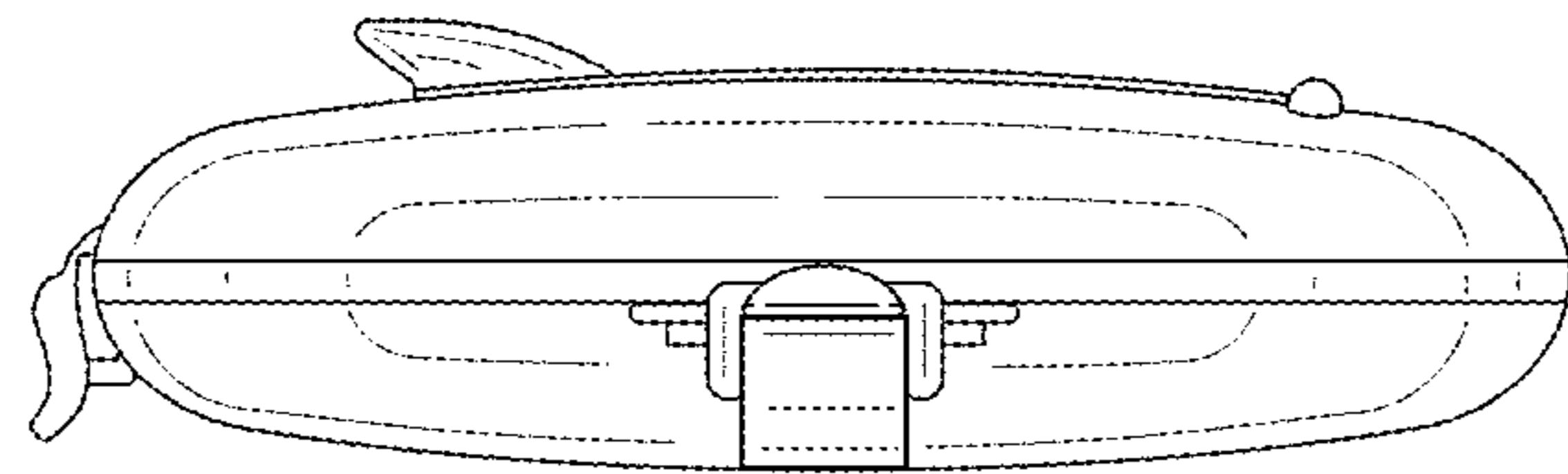


Fig. 6

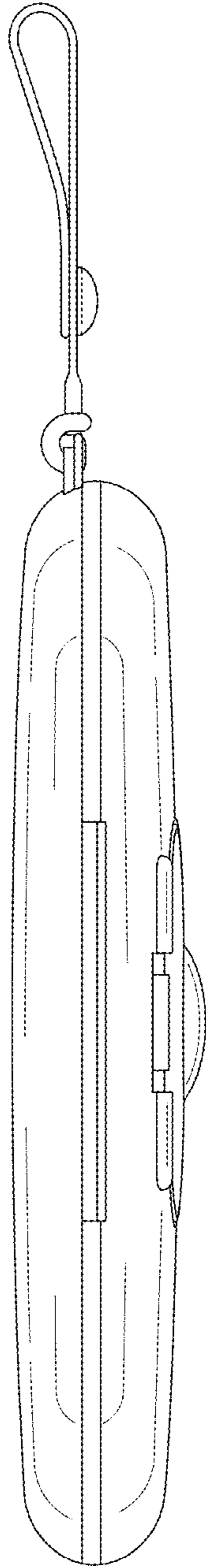


Fig. 7

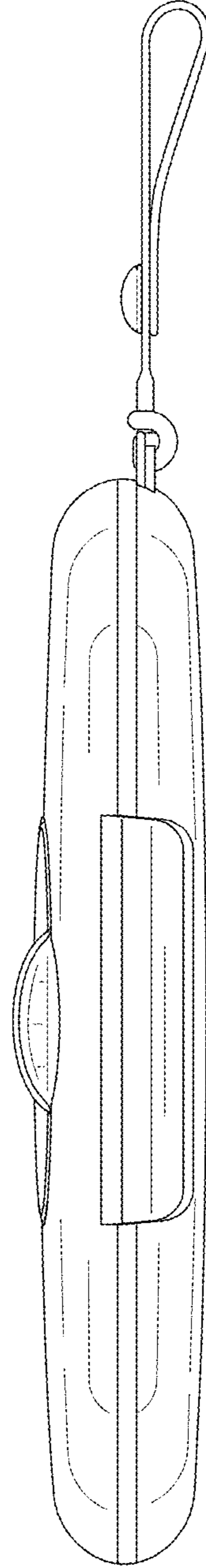


Fig. 8