



US00D812925S

(12) **United States Design Patent**  
**Leech**

(10) **Patent No.:** **US D812,925 S**  
(45) **Date of Patent:** **\*\* Mar. 20, 2018**

(54) **CHAIR**  
(71) Applicant: **Steven W. Leech**, Ellicott City, MD  
(US)  
(72) Inventor: **Steven W. Leech**, Ellicott City, MD  
(US)  
(\*\*) Term: **15 Years**  
(21) Appl. No.: **29/593,183**

D68,027 S \* 8/1925 Wurdack ..... D6/370  
D70,495 S \* 6/1926 Wurdack ..... D6/370  
D78,926 S \* 7/1929 Gottlob ..... D6/370  
D80,295 S \* 1/1930 Till ..... D6/374  
4,707,023 A \* 11/1987 Hickey ..... A47C 4/08  
297/31  
D668,075 S \* 10/2012 Mosley ..... D6/370  
D679,917 S \* 4/2013 Egbert ..... D6/370  
D712,172 S 9/2014 Saylor  
D733,449 S 7/2015 Adams, IV  
D734,045 S 7/2015 Thuma  
D752,354 S \* 3/2016 Fairbanks ..... D6/370

\* cited by examiner

(22) Filed: **Feb. 7, 2017**  
(51) **LOC (11) Cl.** ..... **06-01**  
(52) **U.S. Cl.**  
USPC ..... **D6/370**  
(58) **Field of Classification Search**  
USPC ..... D6/334-336, 370, 371, 372, 373, 374,  
D6/376, 379, 716, 716.1, 716.2, 716.3,  
D6/716.4  
CPC .... A47C 4/02; A47C 4/03; A47C 4/08; A47C  
4/024; A47C 4/025; A47C 7/16; A47C  
7/54  
See application file for complete search history.

*Primary Examiner* — Mimosa De  
(74) *Attorney, Agent, or Firm* — Kundu PLLC

(57) **CLAIM**

The ornamental design for a chair, as shown and described.

**DESCRIPTION**

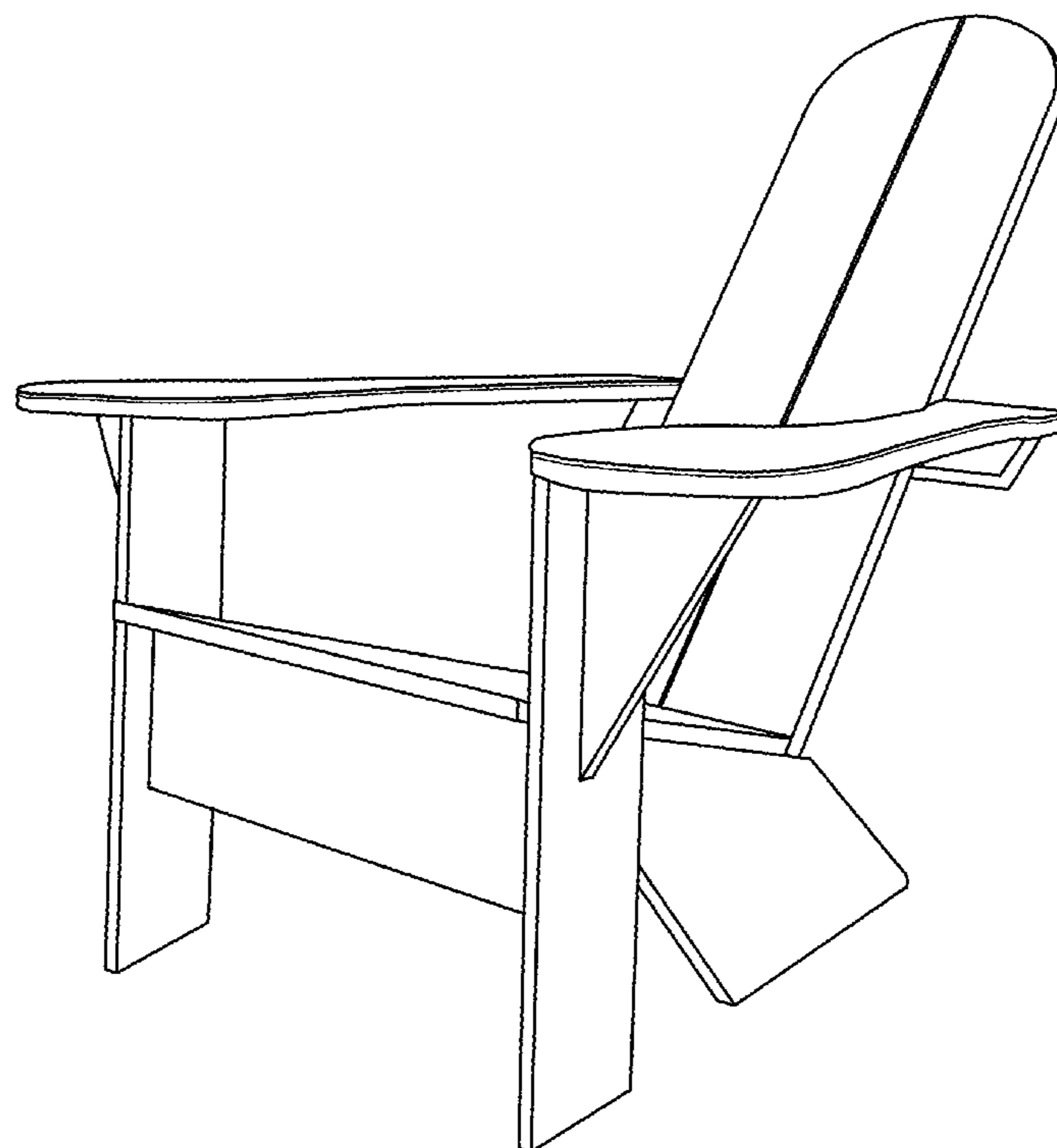
FIG. 1. is a perspective view of a chair, illustrating the novel design;  
FIG. 2. is a front view thereof;  
FIG. 3. is a back view thereof;  
FIG. 4. is a top view of thereof;  
FIG. 5. is a bottom view thereof;  
FIG. 6. is a left side view thereof; and,  
FIG. 7. is a right side view thereof.

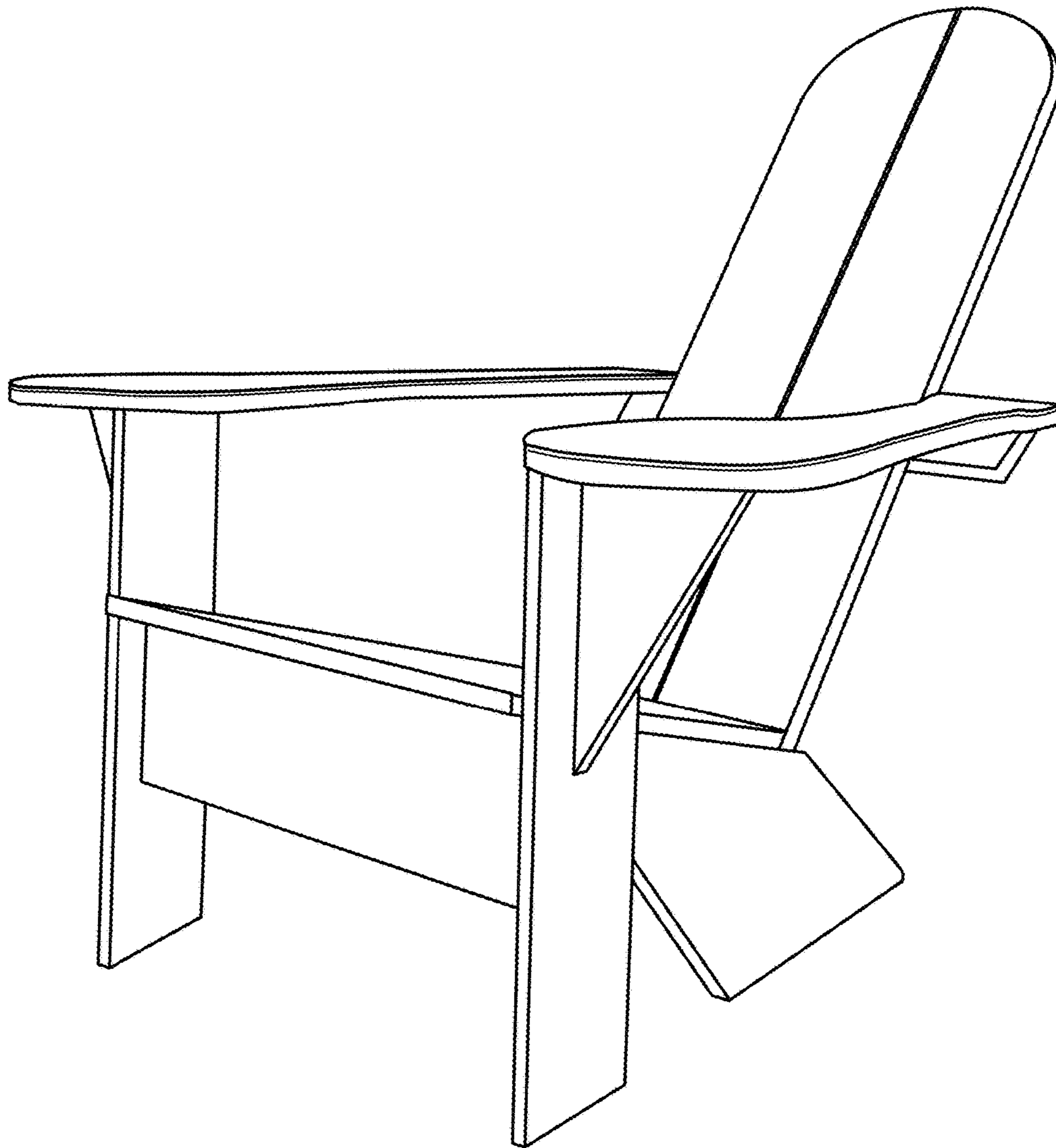
(56) **References Cited**

**U.S. PATENT DOCUMENTS**

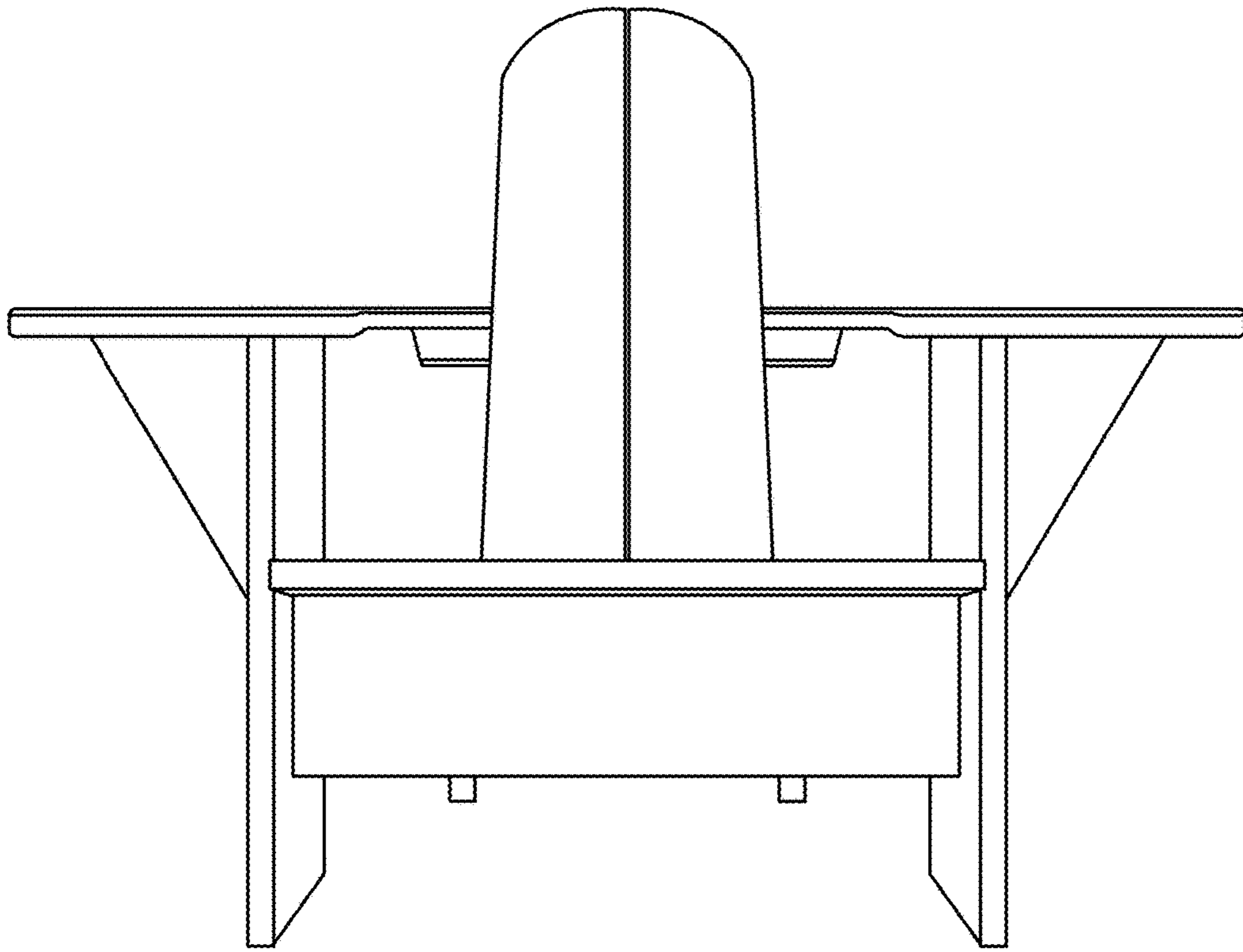
794,777 A 7/1905 Bunnell  
D58,554 S \* 8/1921 Dodson ..... D6/374  
D66,525 S \* 1/1925 Wurdack et al. .... D6/374

**1 Claim, 7 Drawing Sheets**

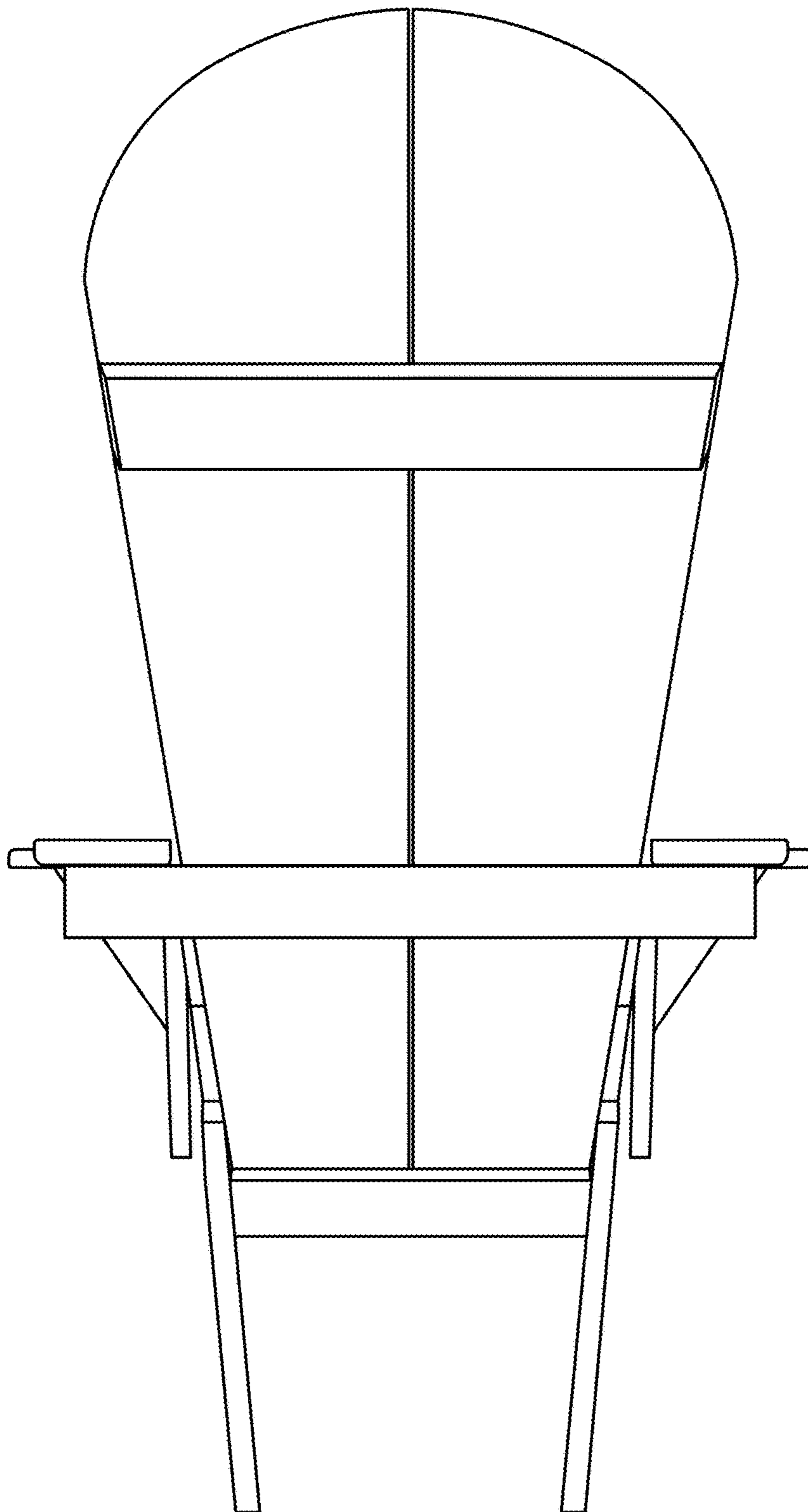




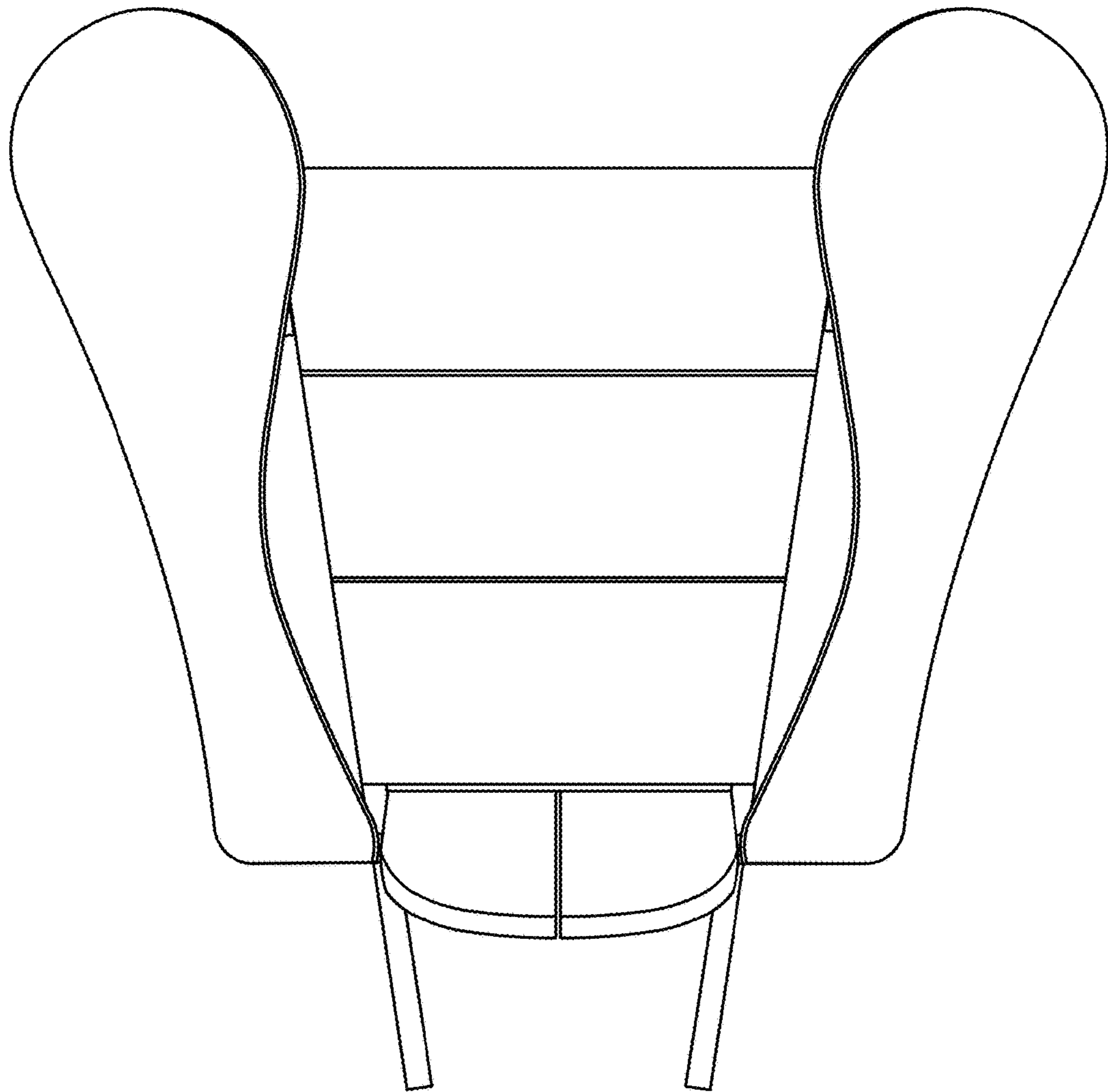
*FIG. 1*



*FIG. 2*



*FIG. 3*



*FIG. 4*

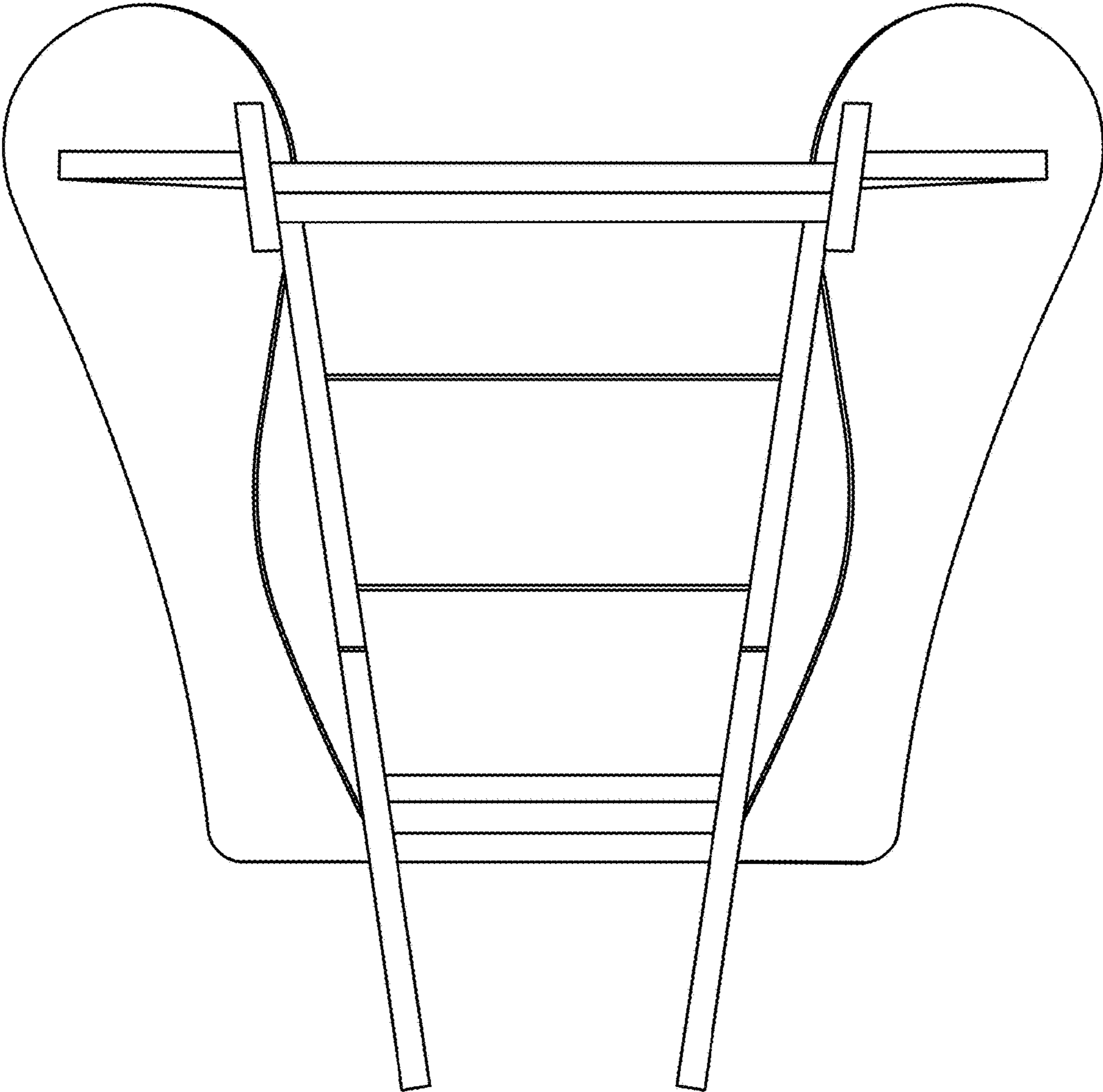
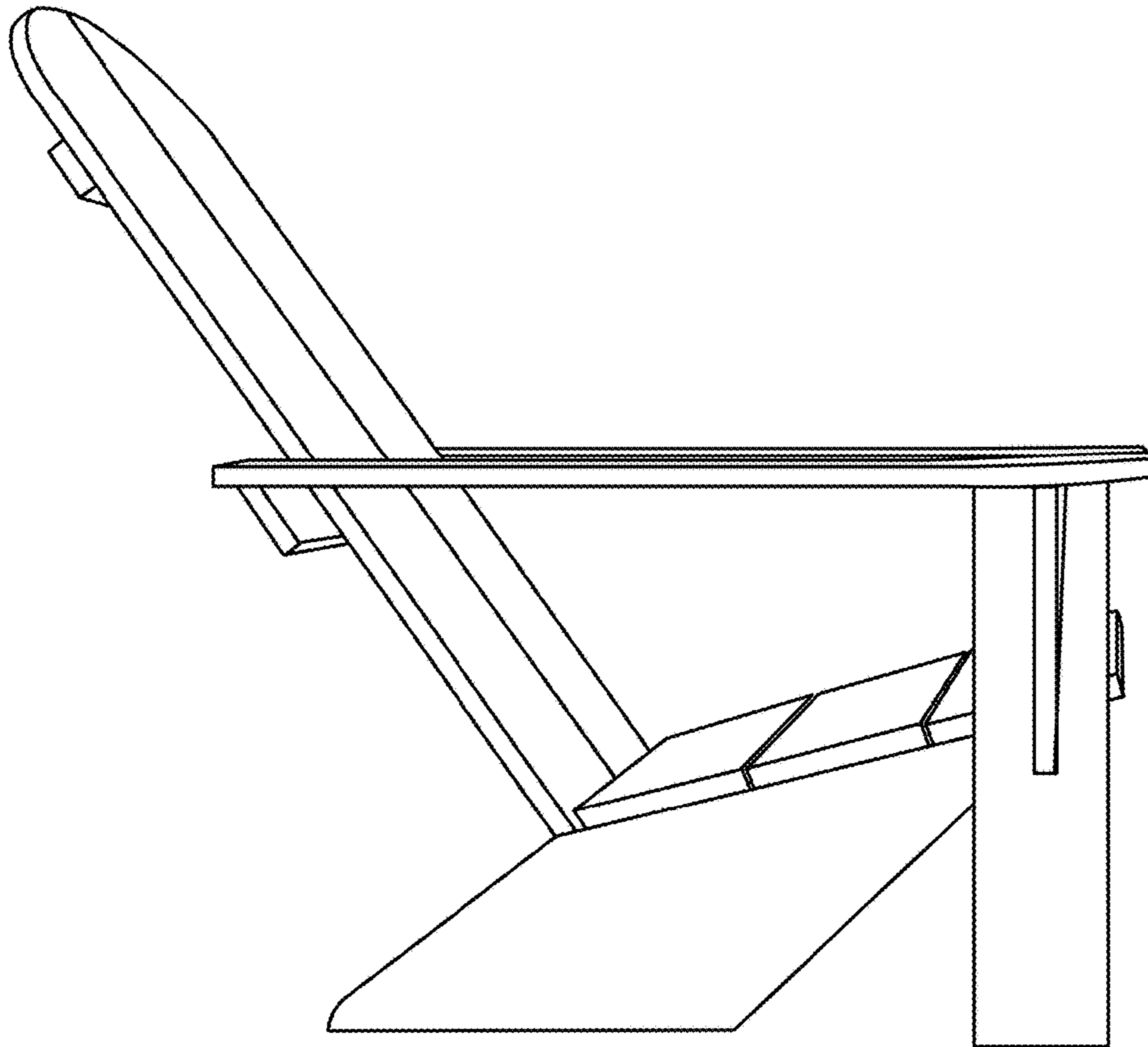


FIG. 5



*FIG. 6*



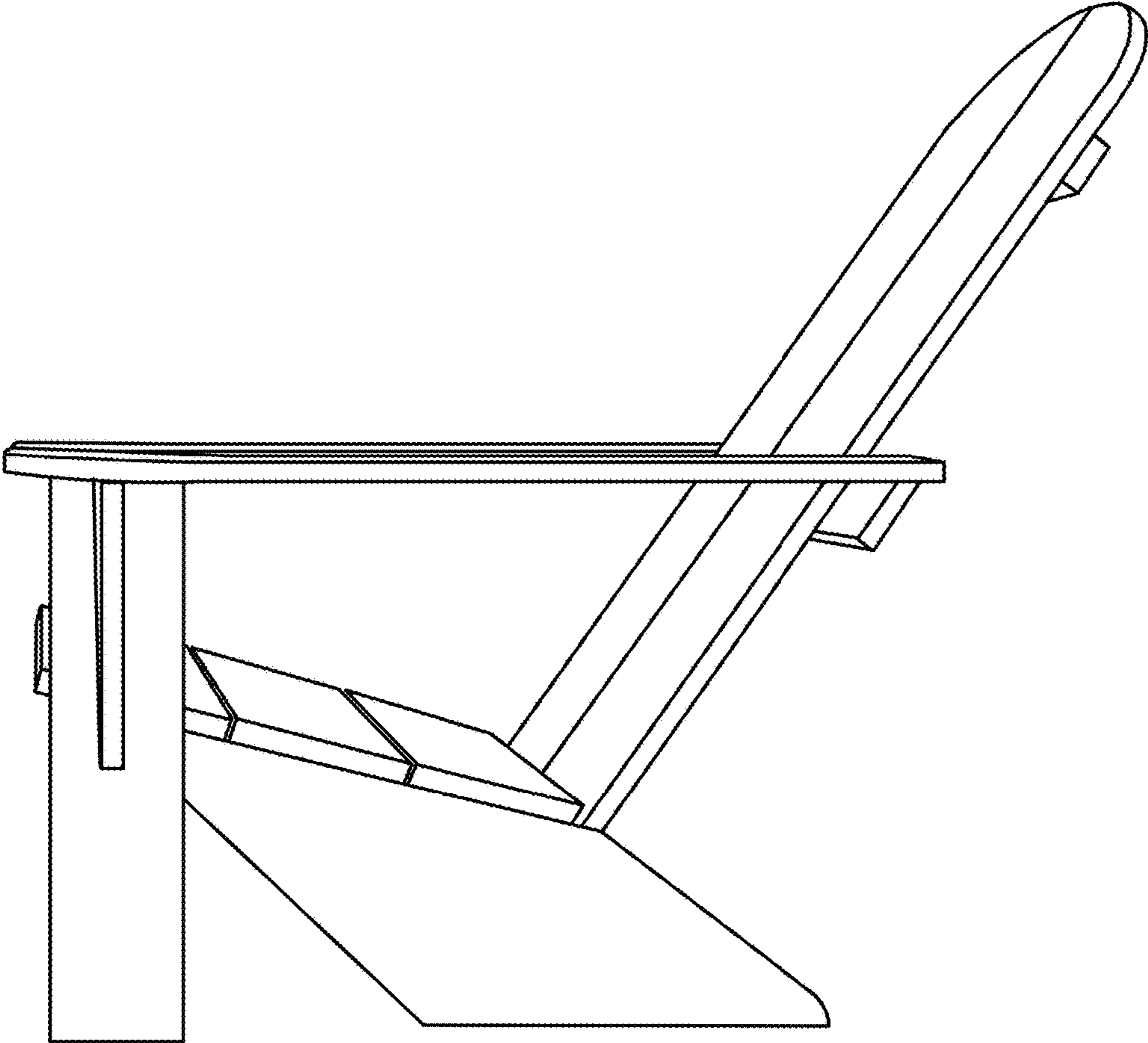


FIG. 7