



US00D812923S

(12) **United States Design Patent**
Mao et al.

(10) **Patent No.:** **US D812,923 S**
(45) **Date of Patent:** **** Mar. 20, 2018**

(54) **ROCKING CHAIR**

(71) Applicant: **DAKANG HOLDING GROUP CO., LTD.**, Zhejiang (CN)

(72) Inventors: **Rujia Mao**, Zhejiang (CN); **Xiaoyu He**, Zhejiang (CN)

(73) Assignee: **DAKANG HOLDING GROUP CO., LTD.**, Zhejiang (CN)

(**) Term: **15 Years**

(21) Appl. No.: **29/589,322**

(22) Filed: **Dec. 30, 2016**

(30) **Foreign Application Priority Data**

Aug. 22, 2016 (CN) 2016 3 0408241

(51) **LOC (11) Cl.** **06-01**

(52) **U.S. Cl.**
USPC **D6/365**

(58) **Field of Classification Search**

USPC D6/334-336, 348, 364, 365, 366, 367,
D6/374, 375, 716, 716.1, 716.2, 716.3,
D6/716.4; D21/688

CPC A47C 3/02; A47C 3/026; A47C 3/029;
A47C 1/03; A47C 3/16; A47C 3/18;
A47C 7/004; A47C 7/022; A47C 7/24;
A47C 7/54

See application file for complete search history.

(56) **References Cited**

U.S. PATENT DOCUMENTS

2,482,306 A * 9/1949 Waldheim A47C 3/029
297/270.3
4,109,960 A * 8/1978 Stinchfield A47C 3/16
297/271.5

D326,958 S * 6/1992 Royle D6/348
D374,695 S * 10/1996 Hatfield D21/688
D376,628 S * 12/1996 Hatfield D21/688
D577,212 S * 9/2008 Lee D6/348
D657,595 S * 4/2012 Ping D6/365
D661,522 S * 6/2012 Ping D6/365
D671,774 S * 12/2012 Ping D6/365
D801,711 S * 11/2017 Mao D6/348

* cited by examiner

Primary Examiner — Mimososa De

(74) *Attorney, Agent, or Firm* — JCIPRNET

(57) **CLAIM**

The ornamental design for a rocking chair, as shown and described.

DESCRIPTION

FIG. 1 is a perspective view of a rocking chair showing our new design;

FIG. 2 is a front view thereof;

FIG. 3 is a rear view thereof;

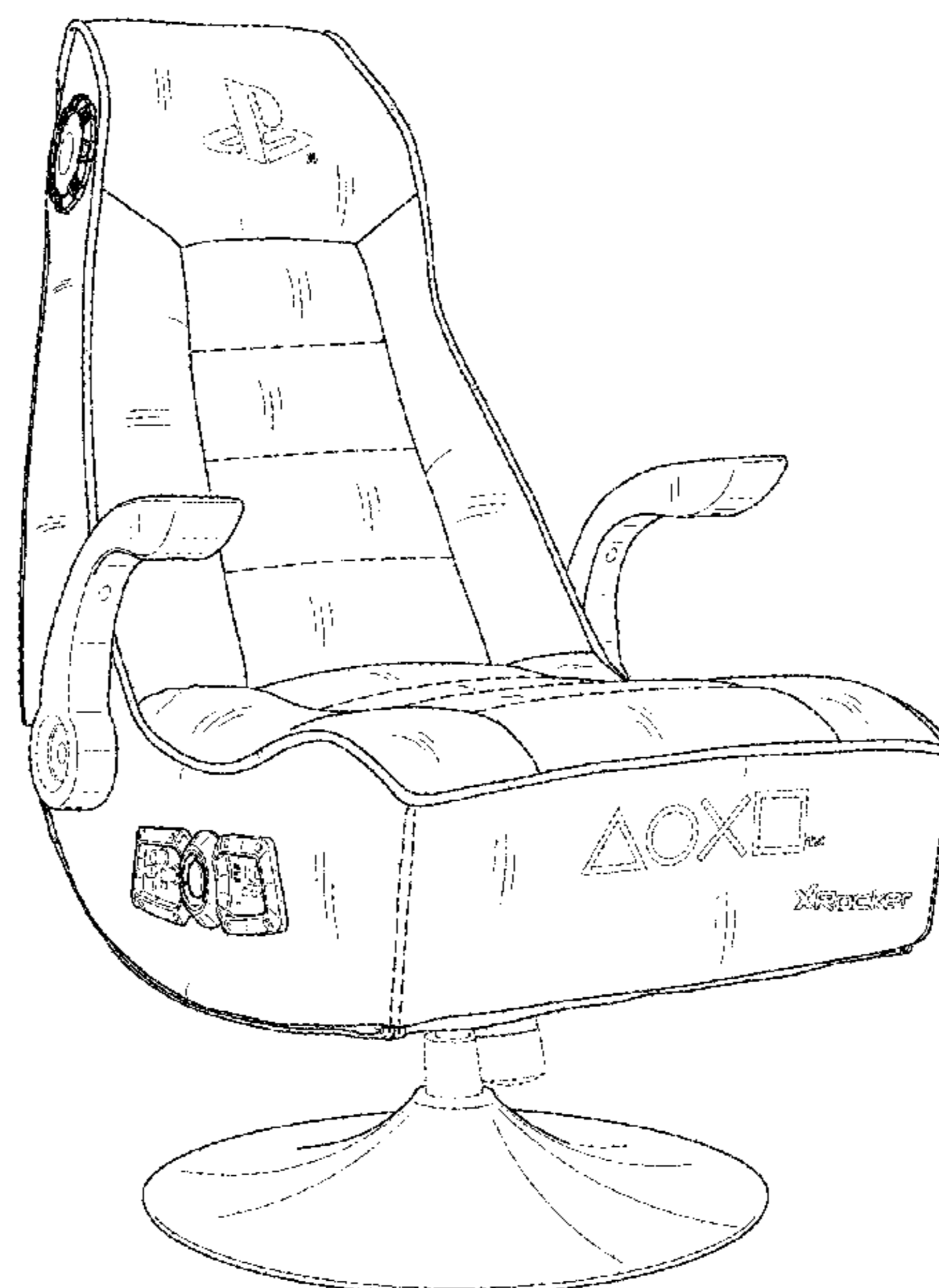
FIG. 4 is a left side view thereof;

FIG. 5 is a right side view thereof; and,

FIG. 6 is a top view thereof.

A bottom view thereof is omitted since it does not contain ornamental features. The heavy broken line showing of stitch lines forms portions of the claimed design, while the light broken line showing of portions of the rocking chair forms no part of the claimed design.

1 Claim, 6 Drawing Sheets



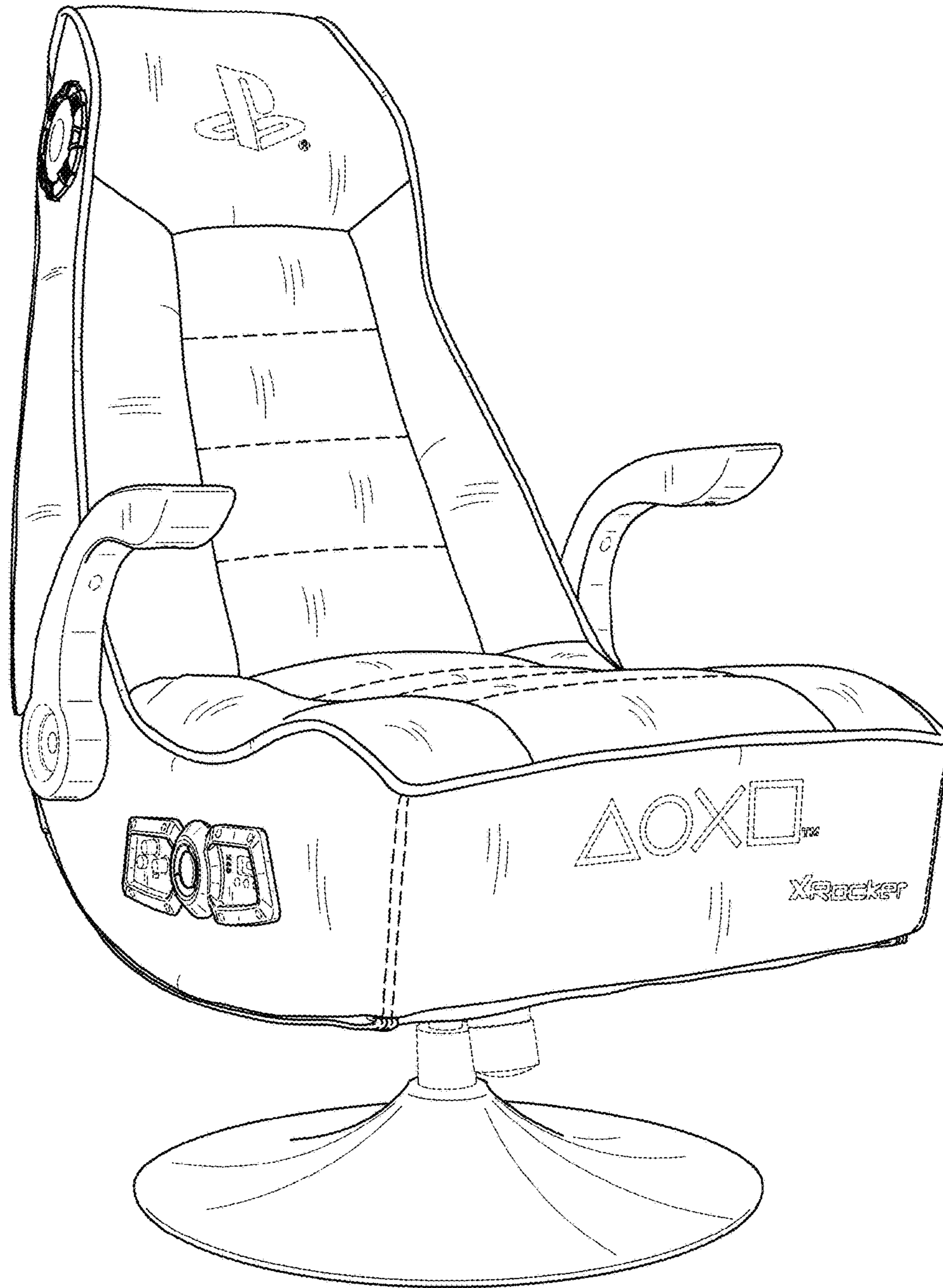


FIG. 1

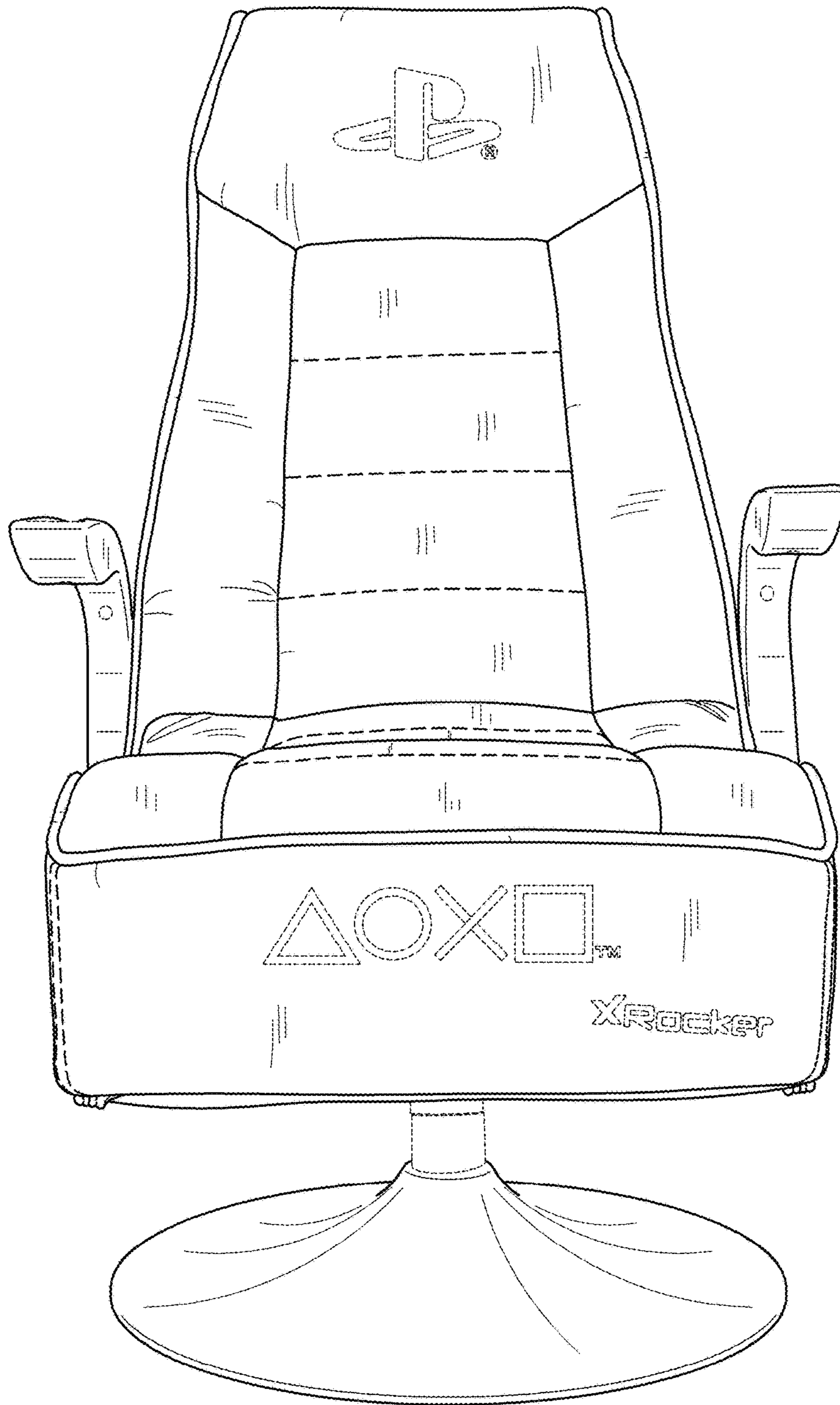


FIG. 2

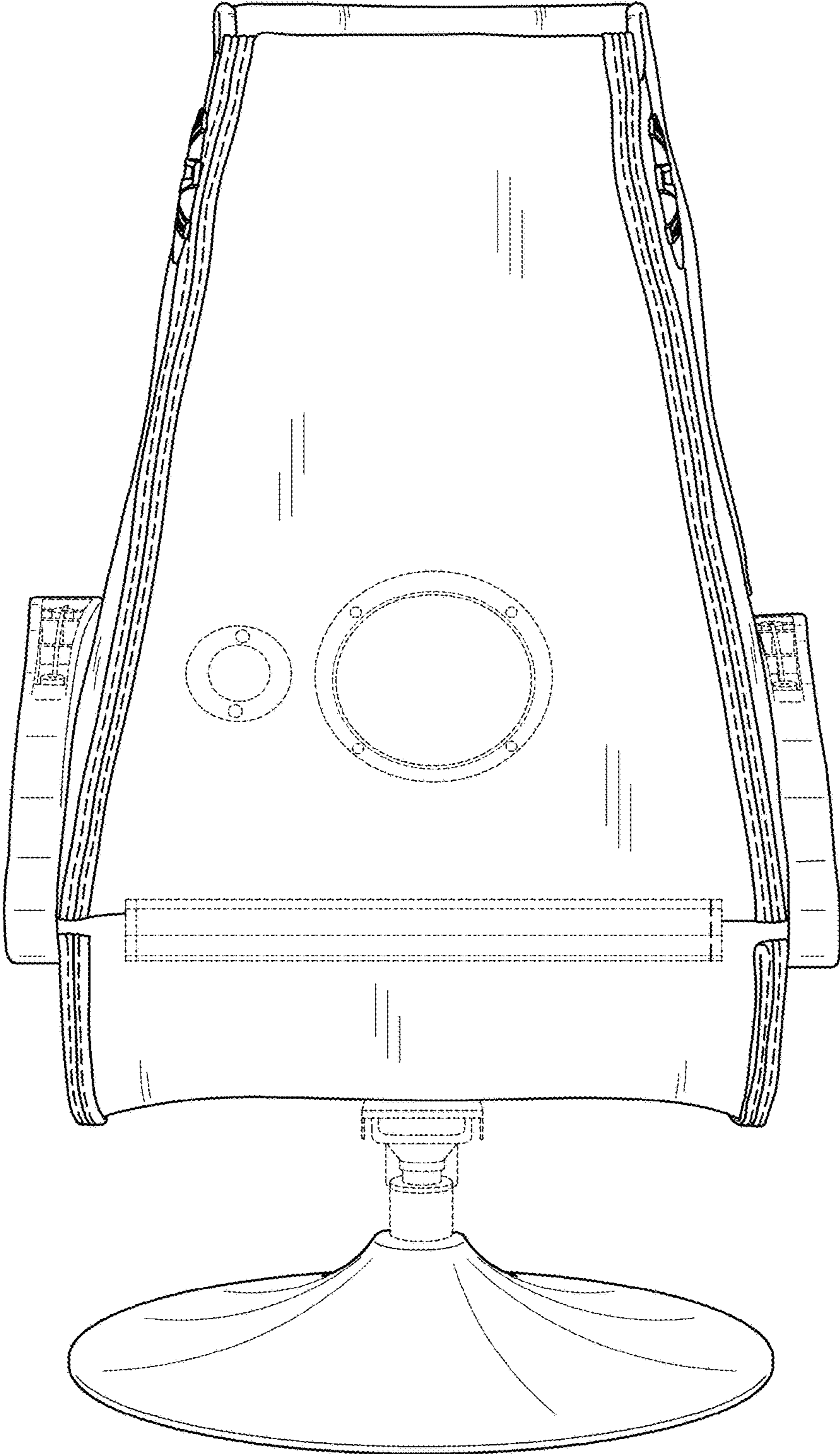


FIG. 3

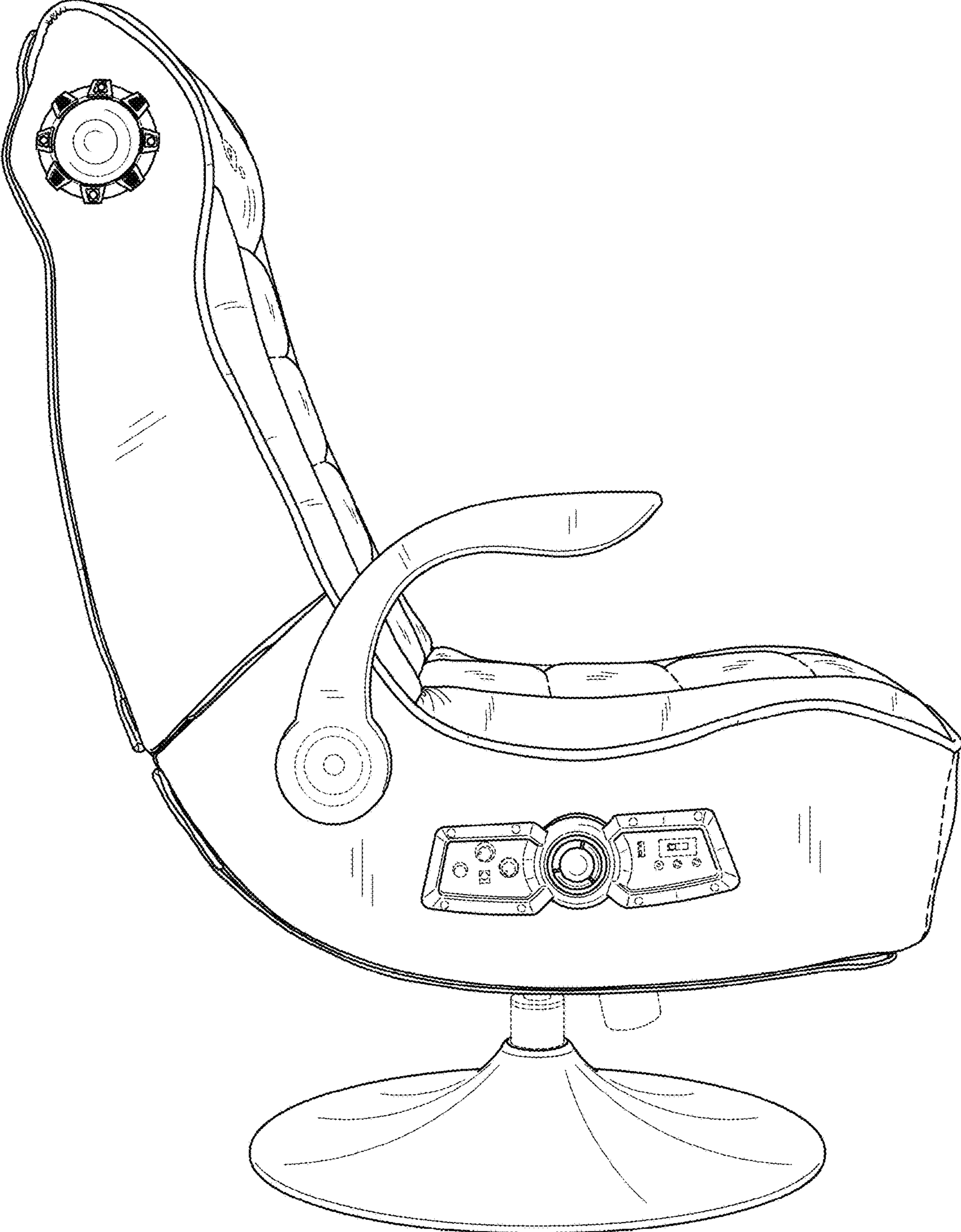


FIG. 4

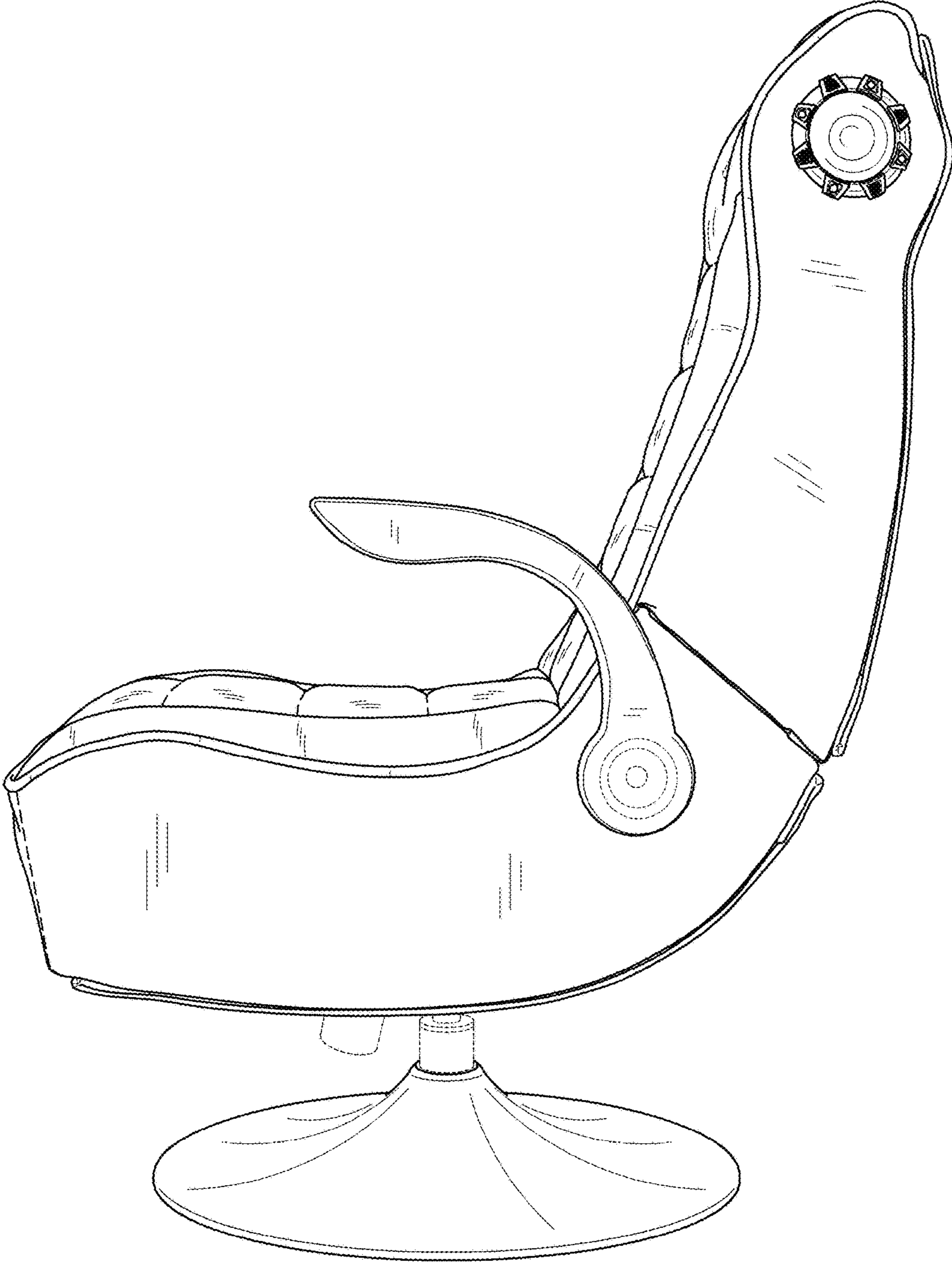


FIG. 5

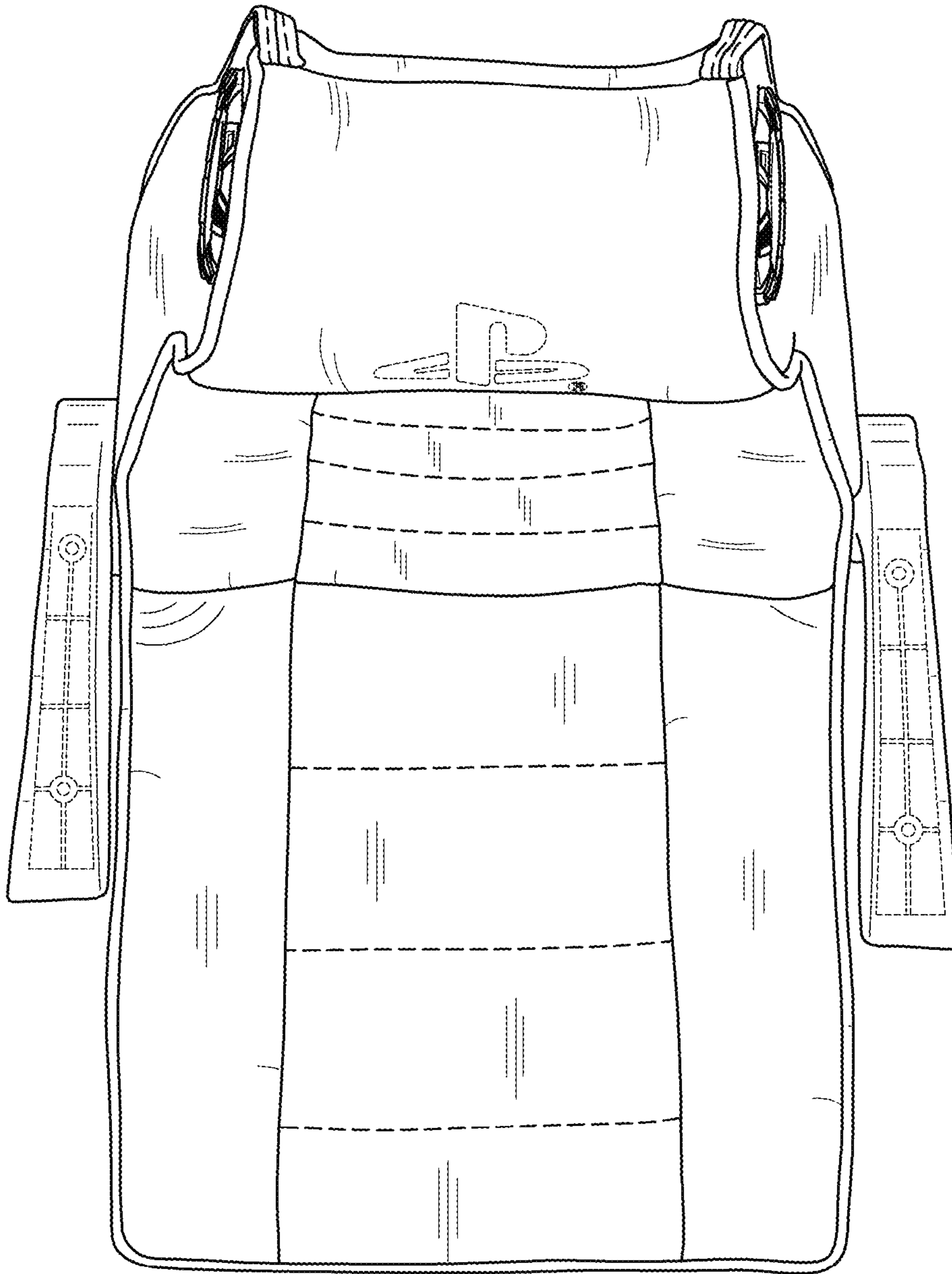


FIG. 6