



US00D812920S

(12) **United States Design Patent**  
**Pham**

(10) **Patent No.:** **US D812,920 S**  
(45) **Date of Patent:** **\*\* Mar. 20, 2018**

- (54) **SMART BATHROOM FOOTSTOOL**
- (71) Applicant: **Duc Van Pham**, Princeton, IL (US)
- (72) Inventor: **Duc Van Pham**, Princeton, IL (US)
- (\*\*) Term: **15 Years**
- (21) Appl. No.: **29/586,717**
- (22) Filed: **Dec. 6, 2016**
- (51) **LOC (11) Cl.** ..... **06-01**
- (52) **U.S. Cl.**  
USPC ..... **D6/353**
- (58) **Field of Classification Search**  
USPC ..... D6/334, 349–355, 358, 360–368,  
D6/371–374, 403, 405, 406.3, 601, 604,  
D6/657, 675.4, 685, 688.17, 690,  
D6/691–691.9, 692–692.6, 693–693.3,  
D6/695, 707.2, 708, 708.2,  
D6/708.15–708.25, 709.11, 716–716.3;  
D25/62–65  
CPC ..... A47C 9/02; A47C 9/007; A47C 9/027;  
A47C 7/002; A47C 7/18; A47C 16/02;  
A47C 16/04; A47C 3/18; A47C 3/203;  
A47C 12/00; A47C 13/00; A47B 7/00;  
A47B 7/02; A47B 9/00; A47B 13/02;  
A47B 23/00; A47B 39/00  
See application file for complete search history.

- 4,850,069 A \* 7/1989 Harper ..... A47C 16/04  
182/129
- 5,417,168 A \* 5/1995 Soper ..... A47B 3/00  
108/116
- D376,447 S \* 12/1996 Stump ..... D30/118
- 5,967,544 A \* 10/1999 Kanta ..... A47C 9/027  
280/47.24
- 6,019,050 A \* 2/2000 Ranta ..... A47B 3/0911  
108/115
- 6,039,392 A \* 3/2000 Dencker ..... A47B 39/00  
297/172
- D482,208 S \* 11/2003 Fortin ..... D6/684  
(Continued)

**OTHER PUBLICATIONS**

Nova U-Cut Bath Seat. [online] Published on Jan. 13, 2016.  
Retrieved Sep. 6, 2017 from URL: [https://www.target.com/p/nova-u-cut-bath-seat-white/-/A-18850857#Ink=sametab.\\*](https://www.target.com/p/nova-u-cut-bath-seat-white/-/A-18850857#Ink=sametab.*)  
(Continued)

*Primary Examiner* — Vy N Koenig

(57) **CLAIM**

The ornamental design for a smart bathroom footstool, as shown and described.

**DESCRIPTION**

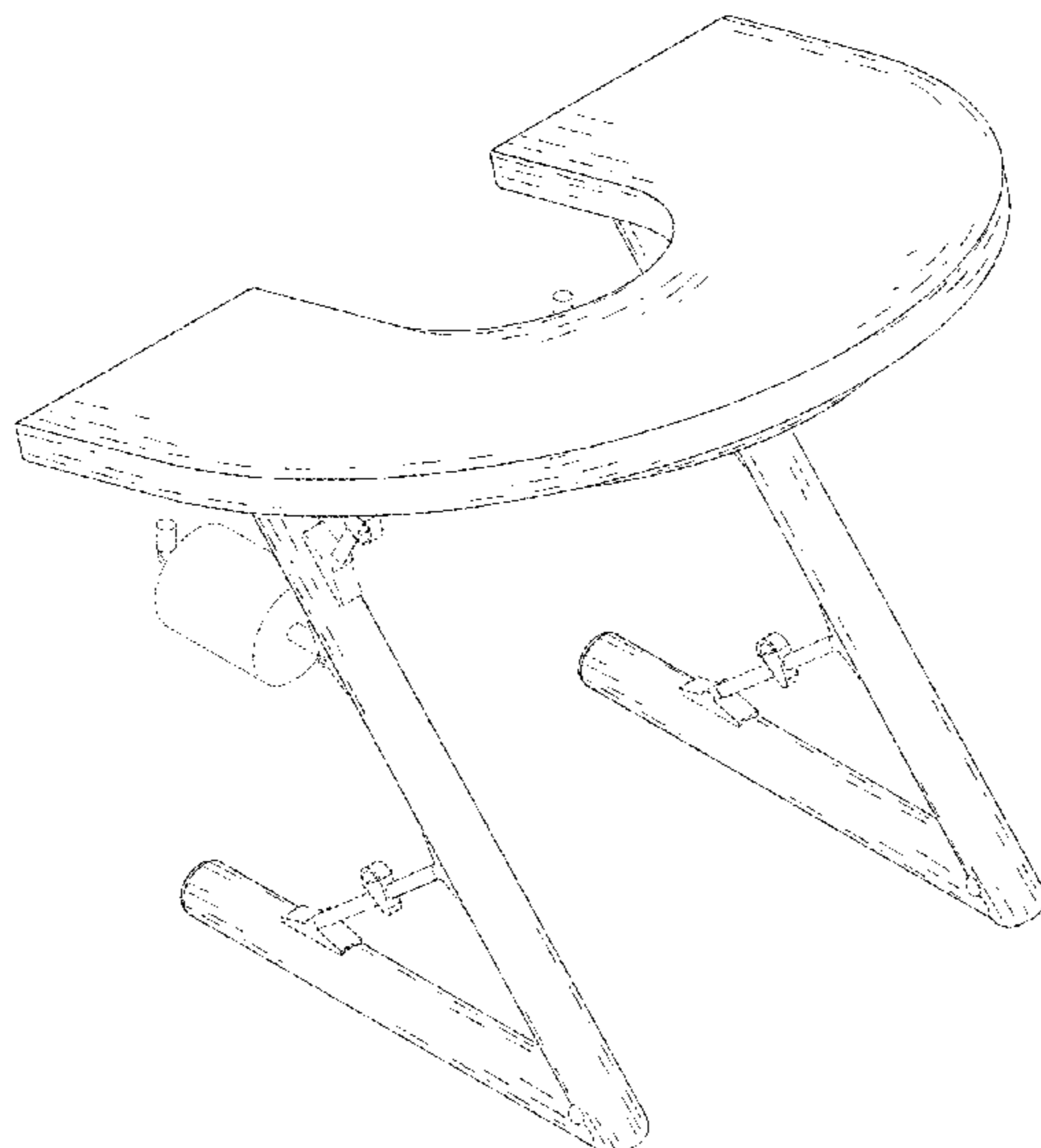
FIG. 1 is a perspective view of a smart bathroom footstool showing my design;  
FIG. 2 is a bottom perspective view thereof;  
FIG. 3 is a right elevational side view thereof, the left elevational side view is a mirror image of FIG. 3;  
FIG. 4 is a back elevational view thereof;  
FIG. 5 is a frontal view thereof;  
FIG. 6 is a top plan view thereof; and,  
FIG. 7 is a bottom plan view thereof.  
The broken line showing hinges and attachment points are included for the purpose of illustrating environmental structure and forms no part of the claimed design.

**1 Claim, 7 Drawing Sheets**

(56) **References Cited**

**U.S. PATENT DOCUMENTS**

- 2,265,105 A \* 12/1941 Farrington ..... A47B 23/043  
108/4
- D131,137 S \* 1/1942 Baumann ..... D6/349
- 2,318,416 A \* 5/1943 Pierce ..... A47C 16/04  
182/129
- 2,545,515 A \* 3/1951 Mast ..... A47B 9/00  
108/138
- D226,066 S \* 1/1973 Barecki ..... D6/338
- D297,789 S \* 9/1988 Stepien ..... D6/349



(56)

**References Cited**

U.S. PATENT DOCUMENTS

6,837,539 B1 \* 1/2005 Casey ..... A47C 3/023  
297/162  
D509,289 S \* 9/2005 Palazzolo ..... D23/309  
7,147,284 B2 \* 12/2006 Mills ..... A47C 3/029  
297/258.1  
D652,222 S \* 1/2012 Edwards ..... D6/349  
D705,502 S \* 5/2014 Markfield ..... D30/145  
9,307,879 B2 \* 4/2016 Fagre ..... A47K 17/028  
2002/0014796 A1 \* 2/2002 Bottoms ..... A47C 9/025  
297/423.11  
2007/0045485 A1 \* 3/2007 Nichols ..... A47B 9/20  
248/118  
2007/0267902 A1 \* 11/2007 Hill ..... A47B 83/02  
297/173  
2010/0258040 A1 \* 10/2010 Coble ..... A47B 9/00  
108/50.02  
2015/0250321 A1 \* 9/2015 Perry ..... A47C 16/04  
297/423.11

OTHER PUBLICATIONS

Drive Medical Whisper Ultra Quiet. [online] Retrieved Sep. 6, 2017  
from URL: [https://www.target.com/p/drive-medical-whisper-ultra-quiet-bath-lift-blue/-/A-51389601#Ink=sametab.\\*](https://www.target.com/p/drive-medical-whisper-ultra-quiet-bath-lift-blue/-/A-51389601#Ink=sametab.*)

\* cited by examiner

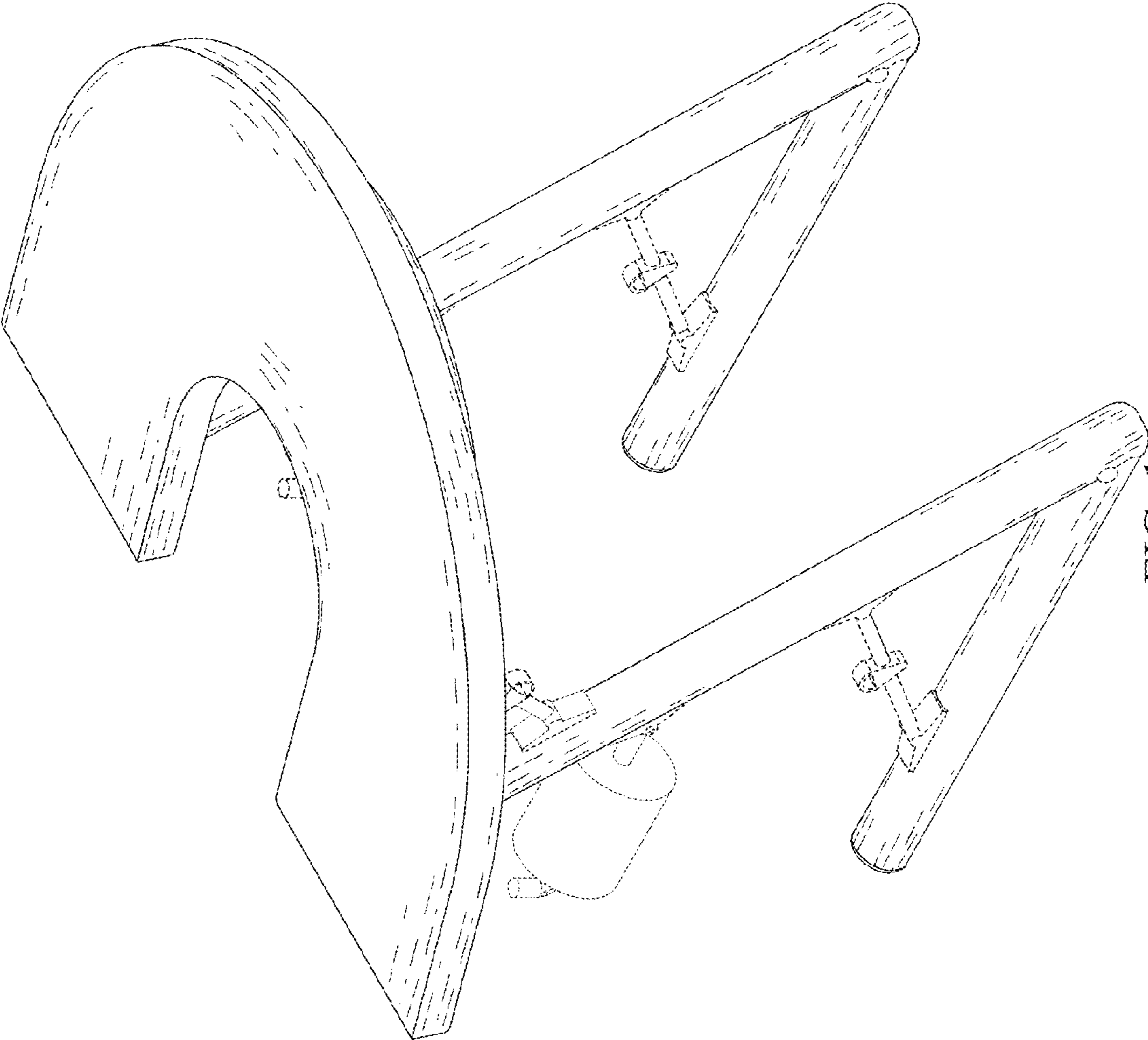


FIG. 1

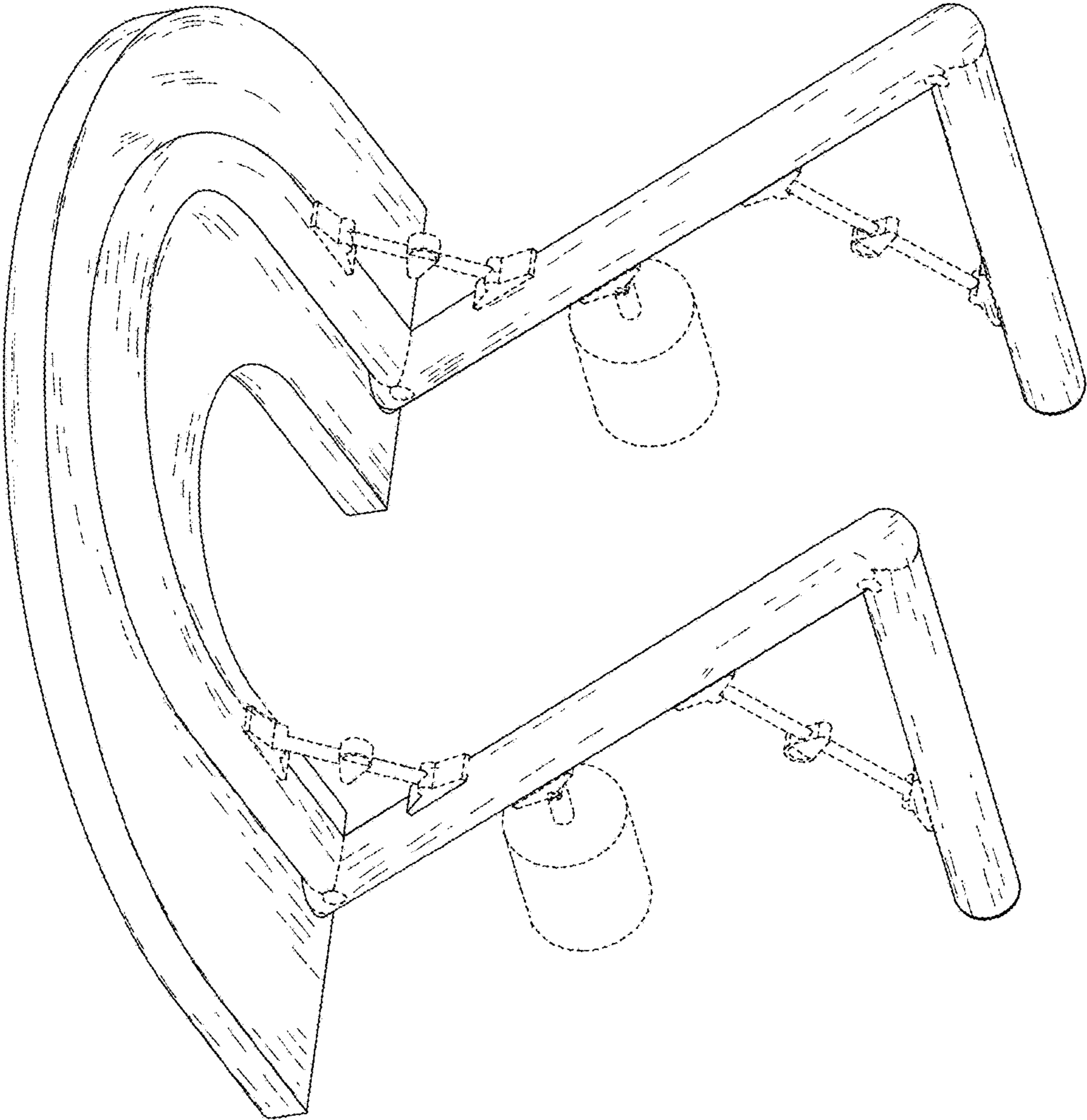


FIG. 2

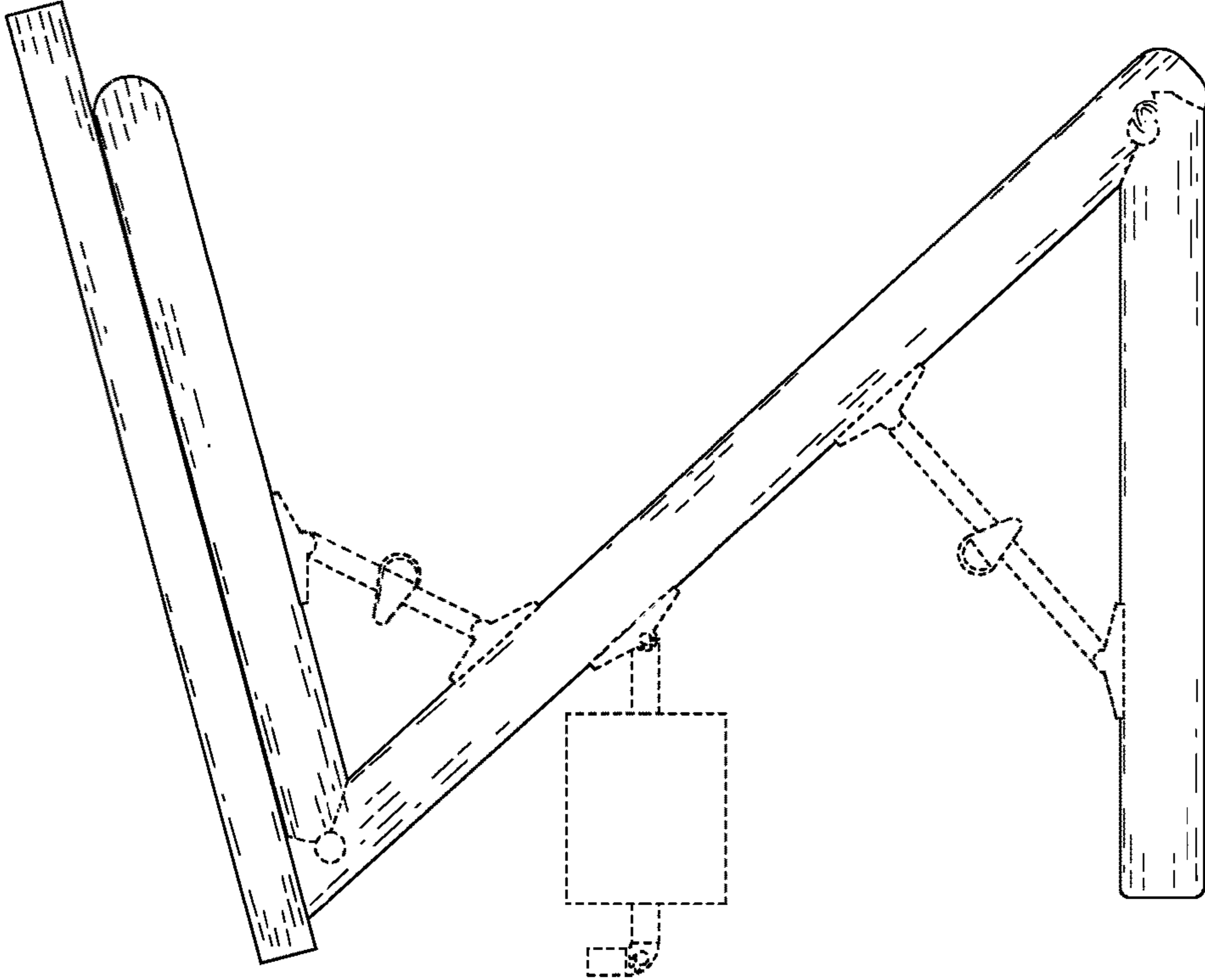


FIG. 3

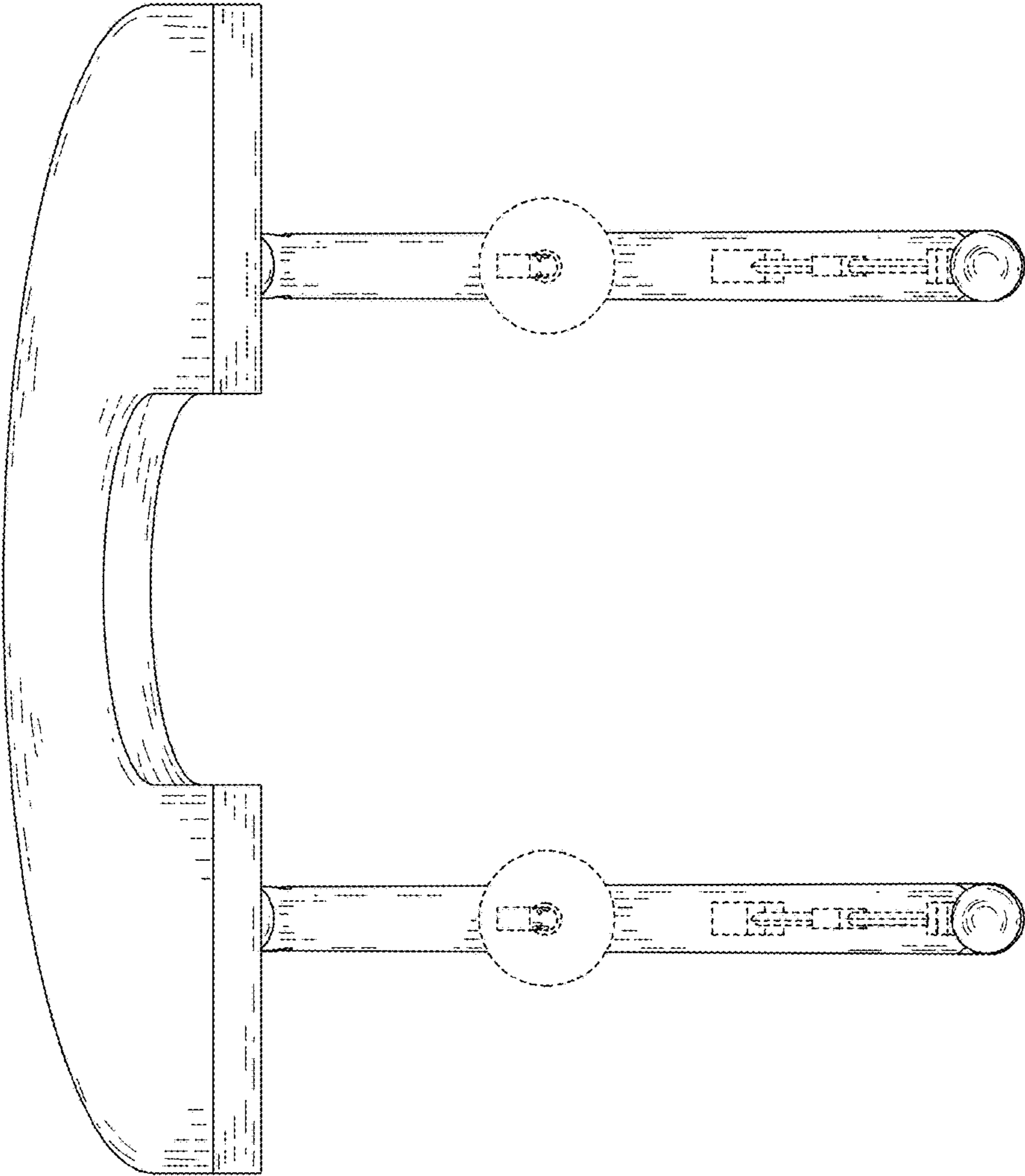


FIG. 4

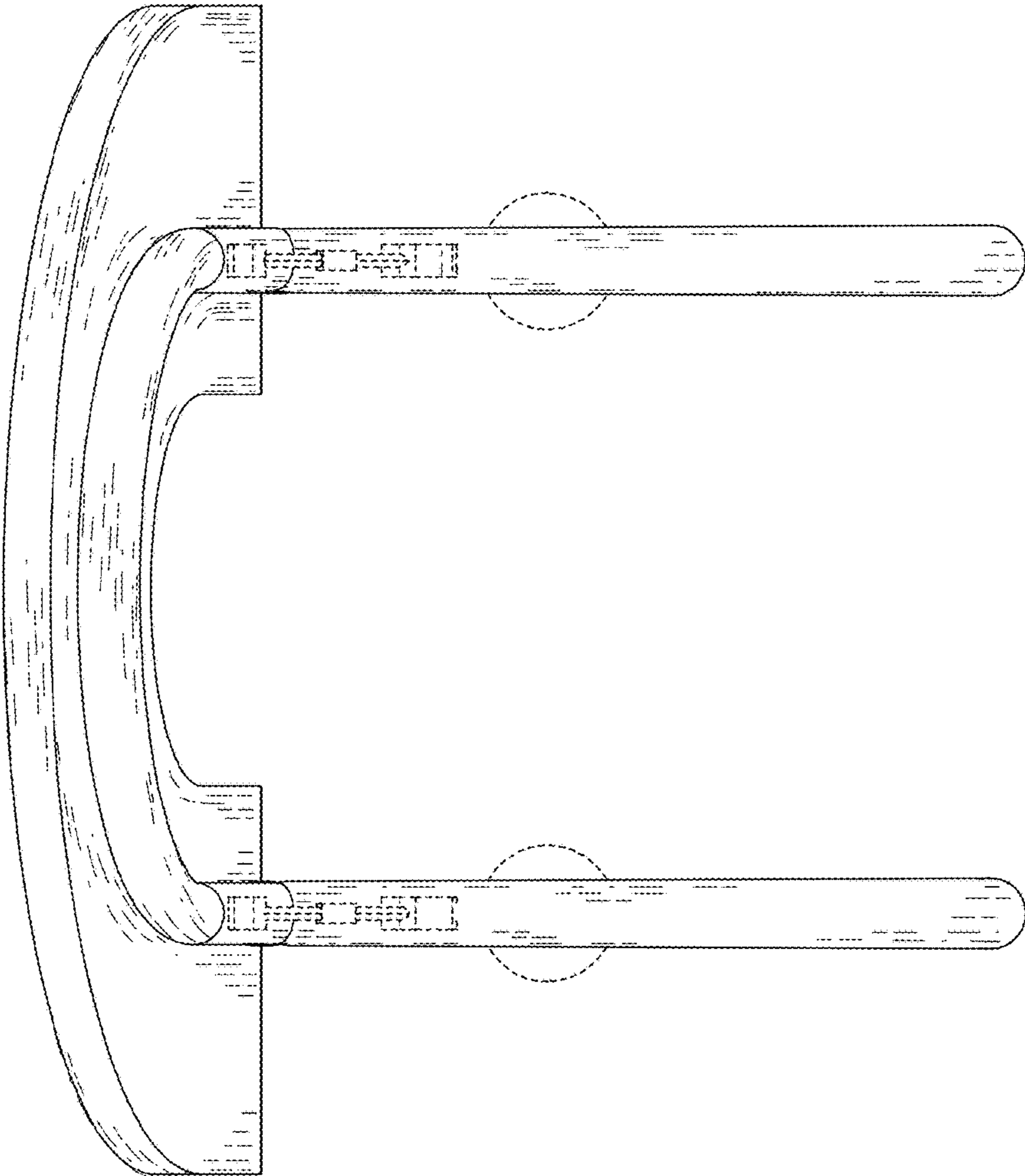


FIG. 5

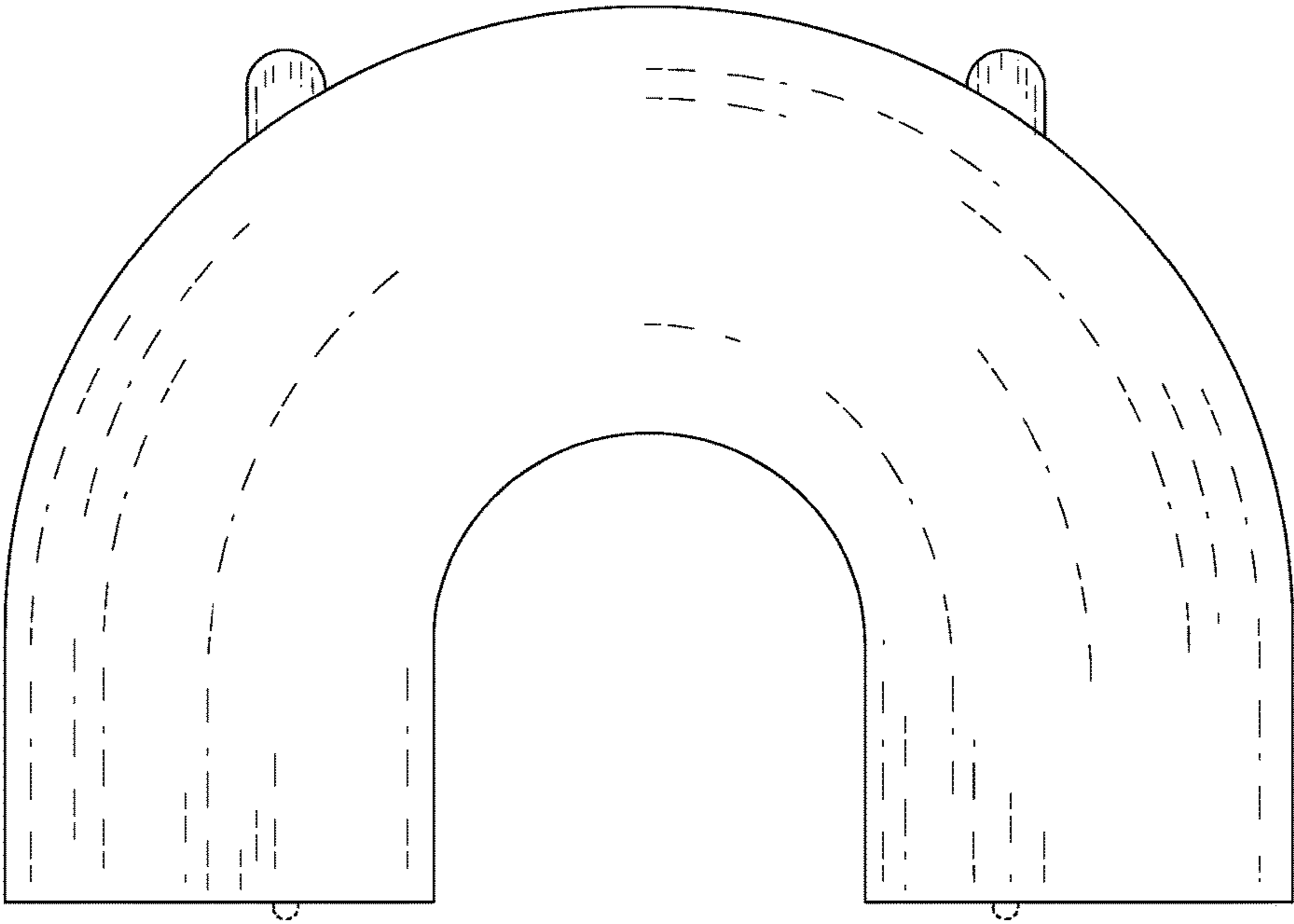


FIG. 6



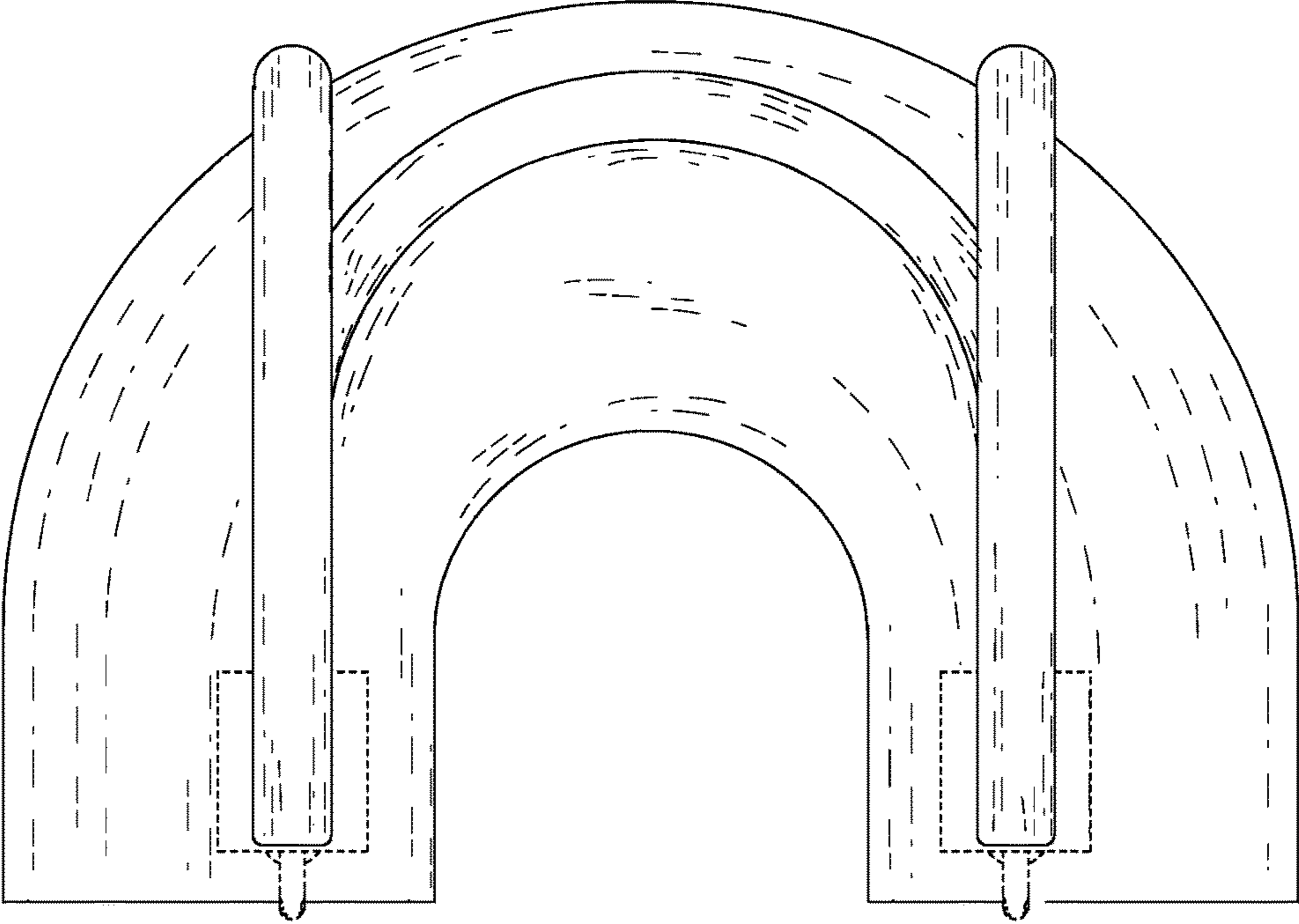


FIG. 7