

US00D812919S

(12) **United States Design Patent**
Kim

(10) **Patent No.:** **US D812,919 S**
(45) **Date of Patent:** **** Mar. 20, 2018**

(54) **SET OF NESTING STOOLS**

- (71) Applicant: **Purdue Research Foundation**, West Lafayette, IN (US)
- (72) Inventor: **Tong Jin Kim**, West Lafayette, IN (US)
- (73) Assignee: **Purdue Research Foundation**, West Lafayette, IN (US)
- (**) Term: **15 Years**
- (21) Appl. No.: **29/559,486**
- (22) Filed: **Mar. 29, 2016**
- (51) **LOC (11) Cl.** **06-01**
- (52) **U.S. Cl.**
USPC **D6/352; D6/692; D6/687**
- (58) **Field of Classification Search**
USPC D6/349-353, 358-360, 363-368, 374, D6/403-405, 601, 687, 691-691.9, D6/692-692.6, 703.6, 703.7, 705
CPC A47C 9/00-9/105; A47C 7/00-7/02; A47C 16/00-16/04; A47B 7/00-7/02; A47B 3/00; A47B 3/02; A47B 3/04; A47B 3/12
See application file for complete search history.

(56) **References Cited**

U.S. PATENT DOCUMENTS

D72,313	S	*	3/1927	Flowers	D6/403
1,621,245	A	*	3/1927	Flowers	A47C 9/02
						108/161
D106,780	S	*	11/1937	Bentz	D6/352
D141,379	S	*	5/1945	Panzer	297/461
D225,711	S	*	1/1973	Duern et al.	D6/690
D226,417	S	*	3/1973	Duern et al.	D6/690
D284,529	S	*	7/1986	Reed	D6/353
D285,872	S	*	9/1986	Massonnet	D6/352
D346,703	S	*	5/1994	Grosfillex	D6/349

(Continued)

OTHER PUBLICATIONS

Yata Stool, Coffee table & Shelving Unit. [online] Retrieved Jun. 13, 2017 from URL: <<http://vurni.com/yatastool/>>.*
(Continued)

Primary Examiner — Vy N Koenig
(74) *Attorney, Agent, or Firm* — Hartman Global IP Law; Gary M. Hartman; Domenica N. S. Hartman

(57) **CLAIM**

The ornamental design for a set of nesting stools, as shown and described.

DESCRIPTION

FIG. 1 is a front perspective view of a set of nesting stools of three individual stools stacked and assembled with one another in accordance with this invention.

FIG. 2 is a top view of the set of nesting stools of FIG. 1.

FIG. 3 is a bottom view of the set of nesting stools of FIG. 1.

FIG. 4 is a first elevational side view of the set of nesting stools of FIG. 1.

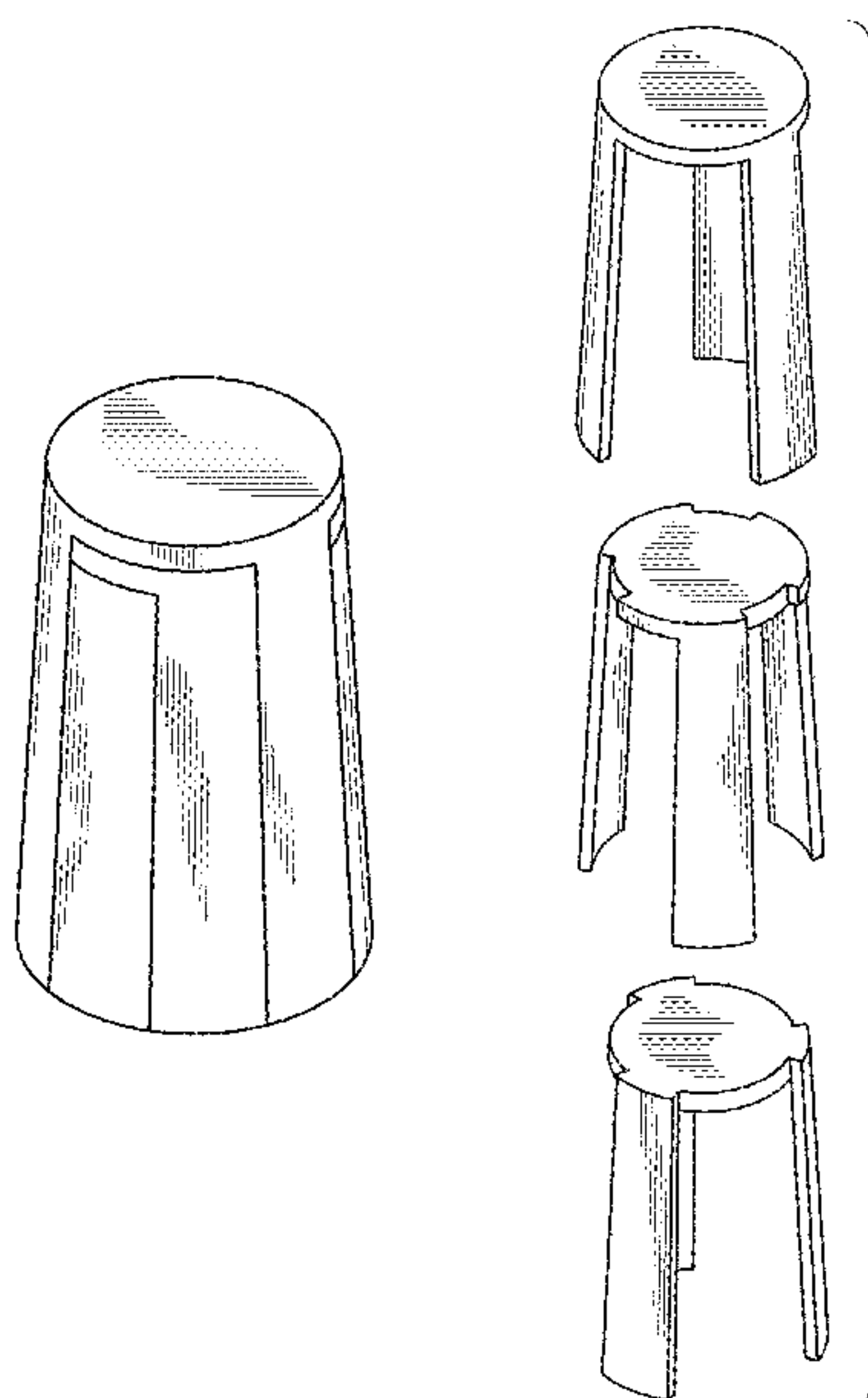
FIG. 5 is a second elevational side view of the set of nesting stools of FIG. 1, taken from a direction perpendicular to the first elevational side view of FIG. 4.

FIG. 6 is an exploded perspective view of the set of nesting stools of FIG. 1 showing the three individual stools unstacked and disassembled with one another and positioned end to end.

FIG. 7 is an exploded side view of the set of nesting stools of FIG. 1 showing the three individual stools unstacked and disassembled with one another and positioned end to end; and,

FIG. 8 is an exploded top view of the set of nesting stools of FIG. 1 showing the three individual stools unstacked and disassembled with one another and positioned side by side.

1 Claim, 4 Drawing Sheets



(56)

References Cited

U.S. PATENT DOCUMENTS

D440,415 S * 4/2001 Bellini D6/349
D467,742 S * 12/2002 de Blois D6/349
D506,082 S * 6/2005 Foy D6/352
D712,170 S * 9/2014 Orlandini D6/349
D716,569 S * 11/2014 Werner D6/349
D720,143 S * 12/2014 Barber D6/349
D744,257 S * 12/2015 Fagan A47G 7/041
D6/403
D772,589 S * 11/2016 Foy D6/352
D780,492 S * 3/2017 Terada D6/349
D785,352 S * 5/2017 Holbrook D6/352
2011/0181079 A1 * 7/2011 Shackelford A47C 9/08
297/135

OTHER PUBLICATIONS

Turn Stool. [online] Retrieved Jun. 13, 2017 from URL: <<http://www.bludot.com/turnstools.html#>>.*

* cited by examiner

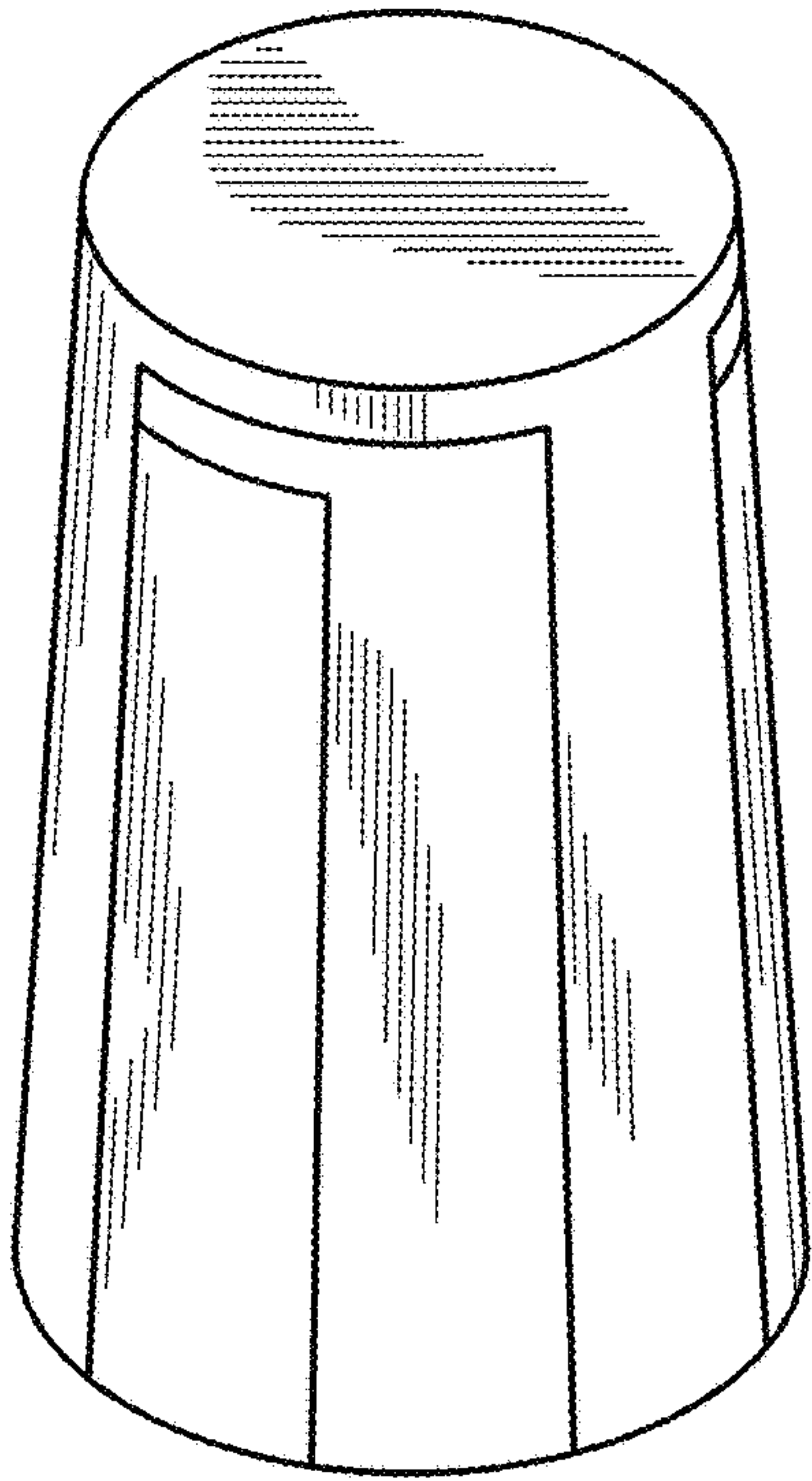


Fig. 1

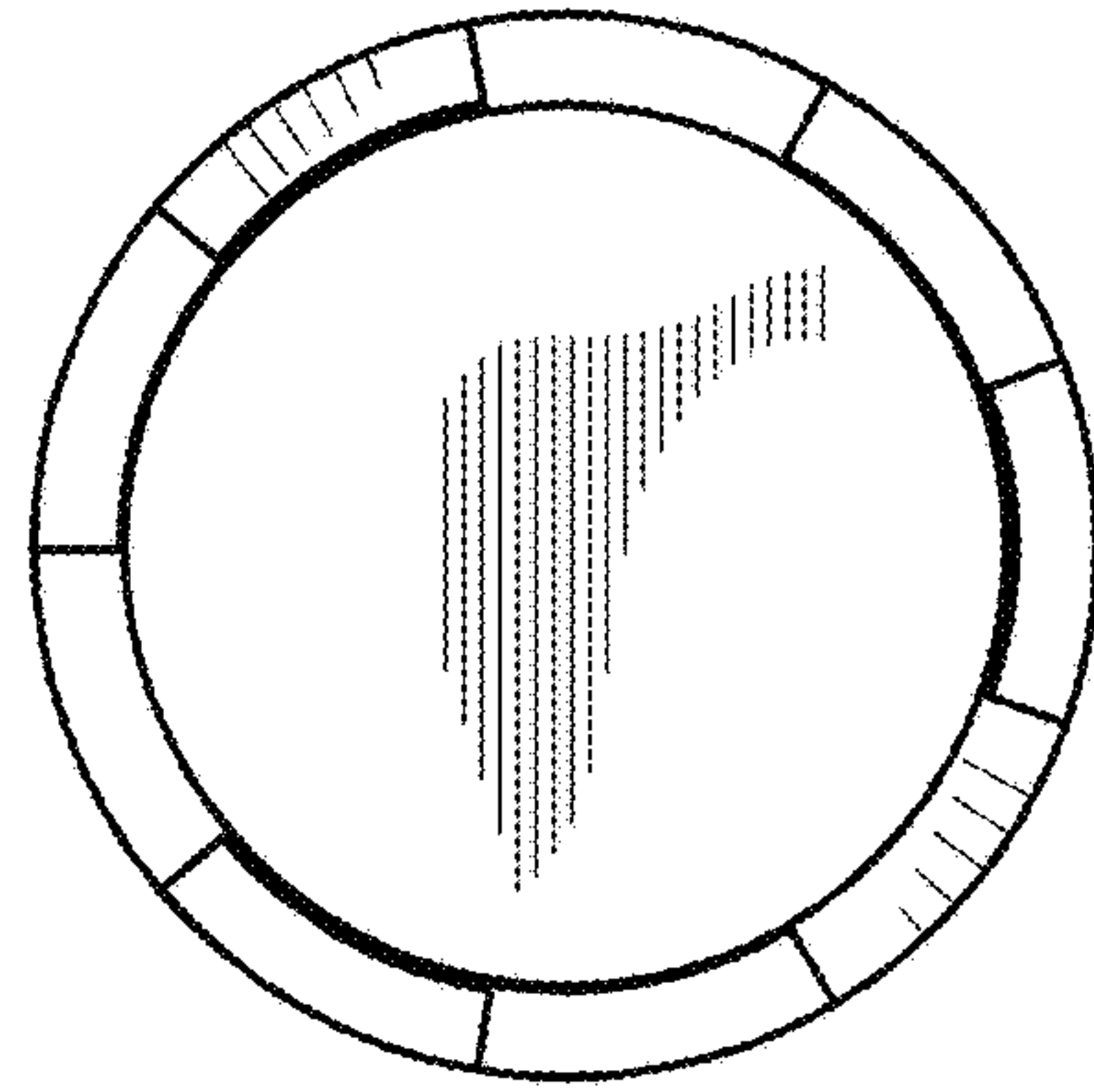


Fig. 2

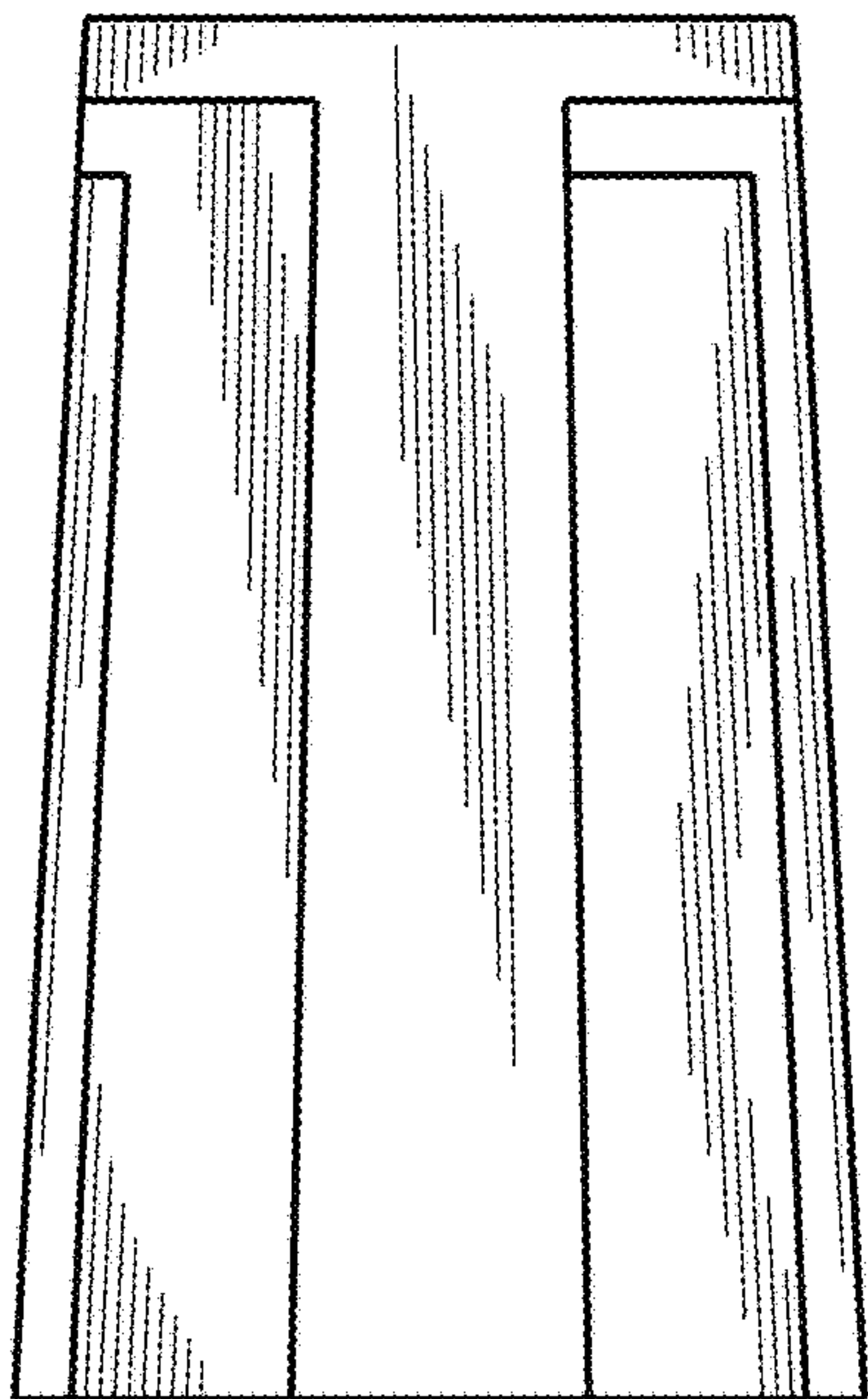


Fig. 4

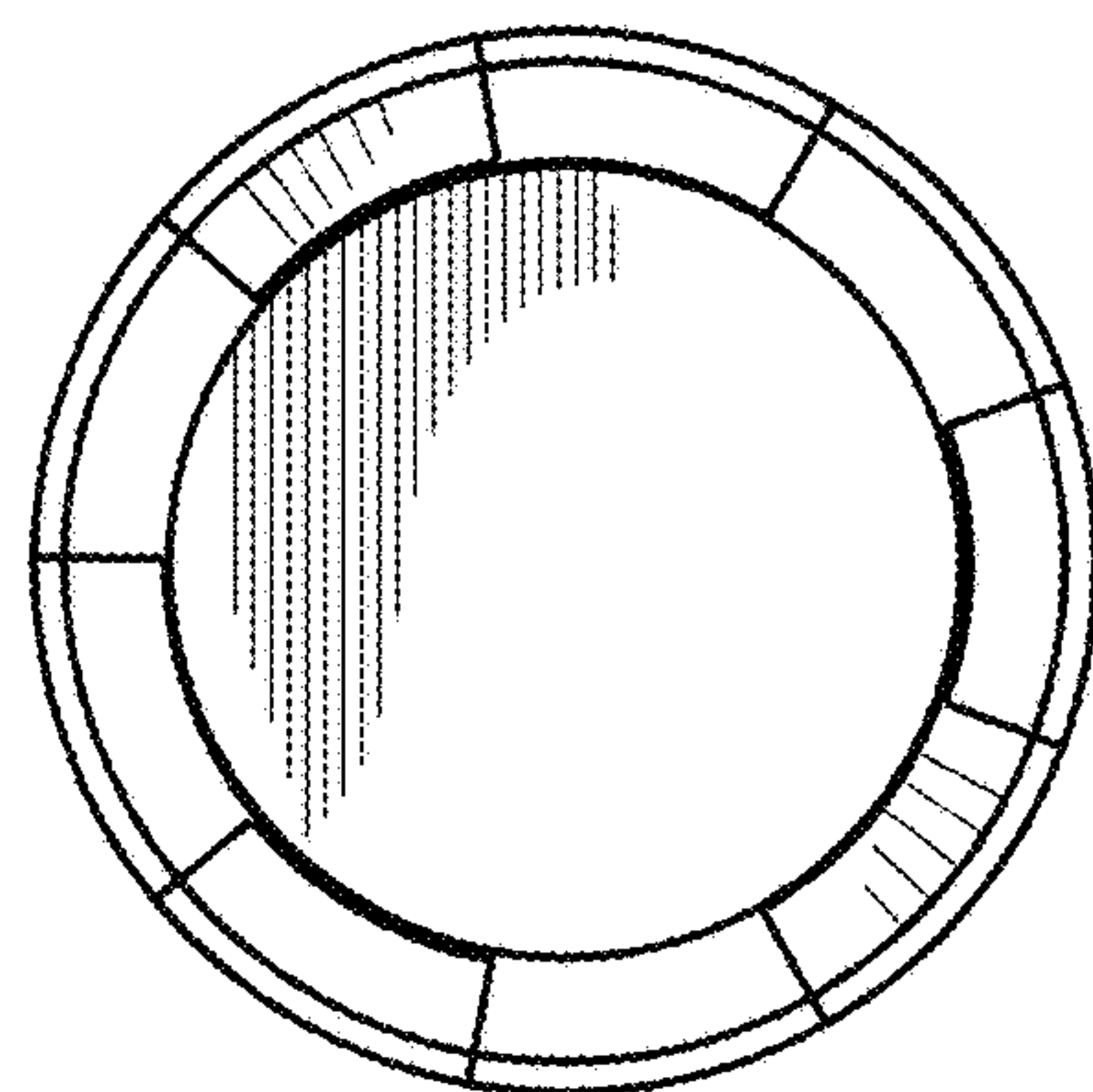


Fig. 3

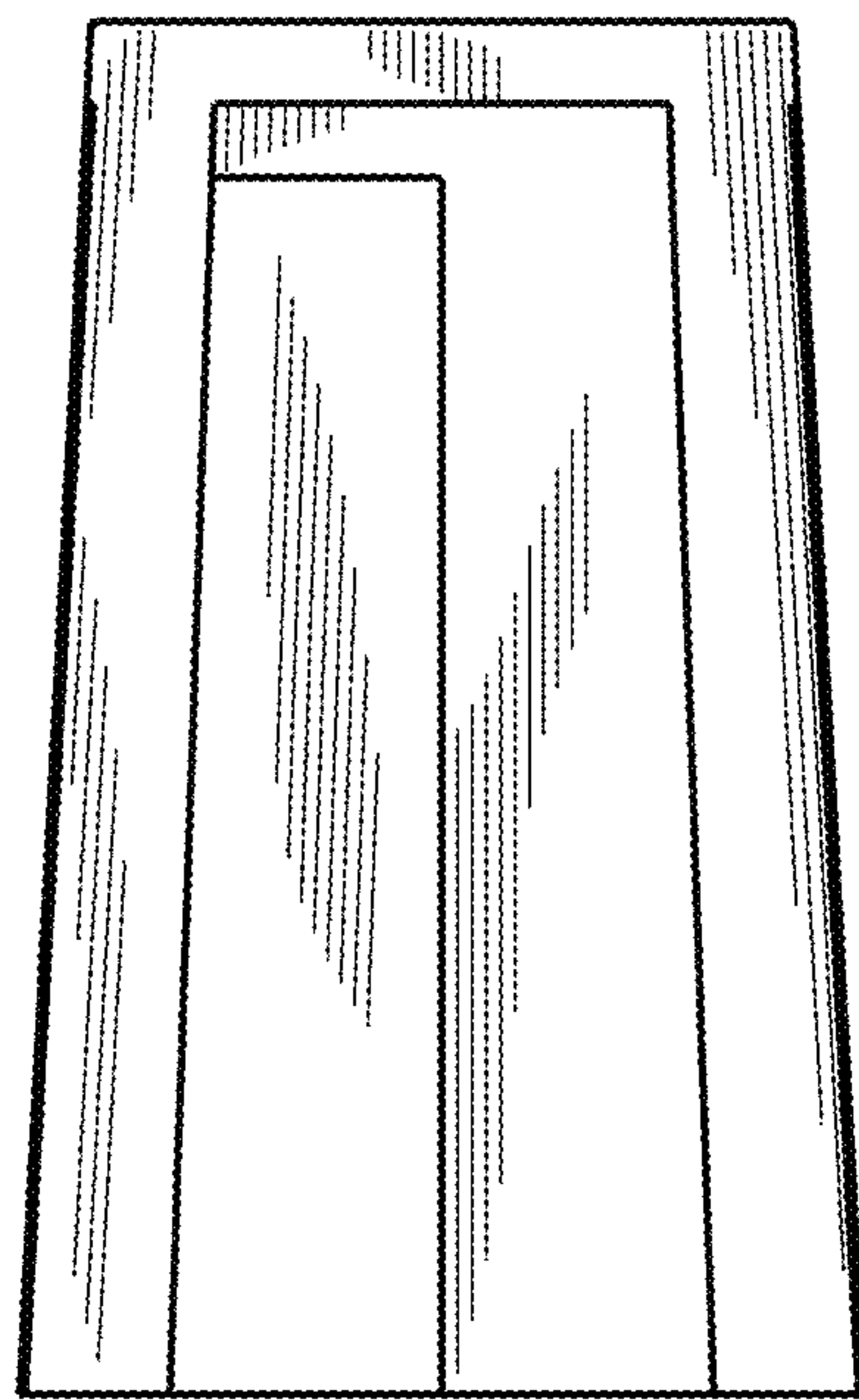


Fig. 5

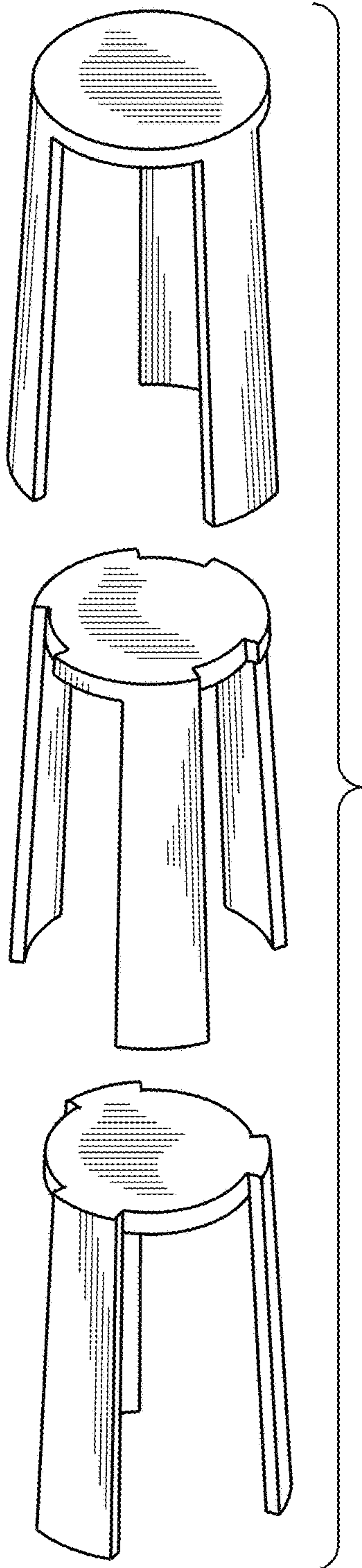


Fig. 6

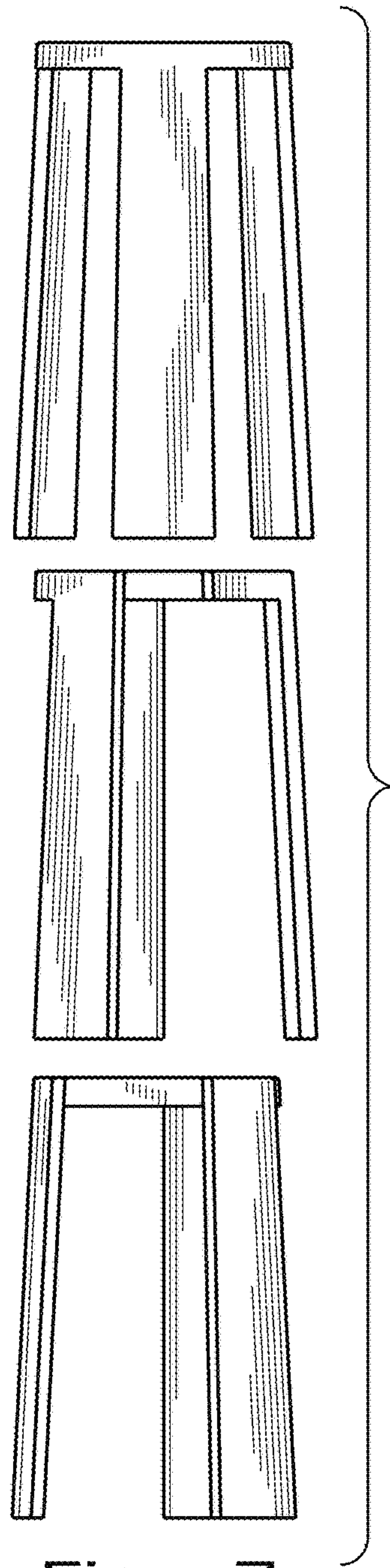


Fig. 7

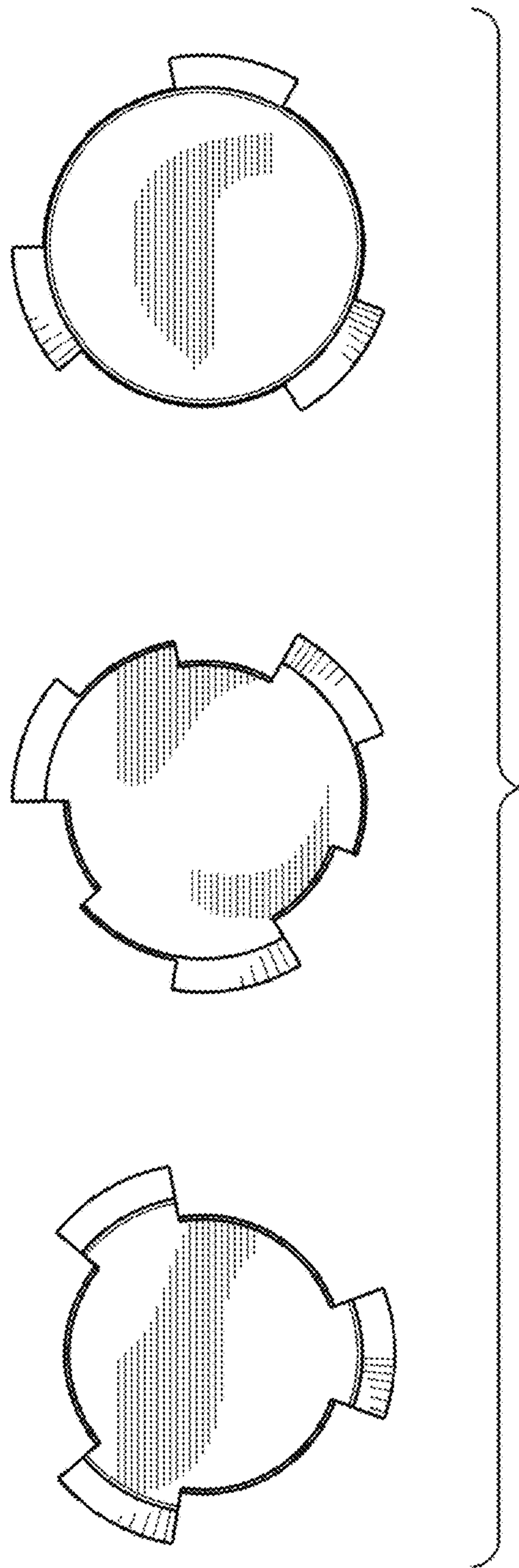


Fig. 8