



US00D812913S

(12) **United States Design Patent**
Way

(10) **Patent No.:** **US D812,913 S**
(45) **Date of Patent:** **** Mar. 20, 2018**

- (54) **CLEANING HEAD**
- (71) Applicant: **Advanced Orthodontics and Education Association, LLC**, Ossining, NY (US)
- (72) Inventor: **Bryce A Way**, San Jose, CA (US)
- (73) Assignee: **Advanced Orthodontics and Education Association, LLC**, Ossining, NY (US)
- (**) Term: **15 Years**
- (21) Appl. No.: **29/612,606**
- (22) Filed: **Aug. 2, 2017**
- (51) **LOC (11) Cl.** **04-02**
- (52) **U.S. Cl.**
USPC **D4/113**
- (58) **Field of Classification Search**
USPC D4/100, 101, 104, 113, 114, 116, 121, D4/130, 132, 135, 138, 199; D8/107; D24/133, 146, 147, 152; D32/25, 32, 33, D32/40, 41, 42
CPC A46B 5/02; A46B 9/02; A46B 13/023; A46B 2200/1066; A46B 2200/30; A46B 13/00; A46B 13/02; A61C 3/00; A61C 17/16
See application file for complete search history.

6,704,965 B2 * 3/2004 Ale A46B 7/04
15/167.1
D509,362 S * 9/2005 Maeda D4/101
D536,528 S 2/2007 Grant
D543,035 S 5/2007 Grant
(Continued)

OTHER PUBLICATIONS

U.S. Appl. No. 29/612,611; Cleaning Head; Bryce A. Way; filed Aug. 2, 2017.

Primary Examiner — Karen E Eldridge Powers
(74) *Attorney, Agent, or Firm* — Finnegan, Henderson, Farabow, Garrett & Dunner, L.L.P.

(57) **CLAIM**

The ornamental design for a cleaning head, as shown and described.

DESCRIPTION

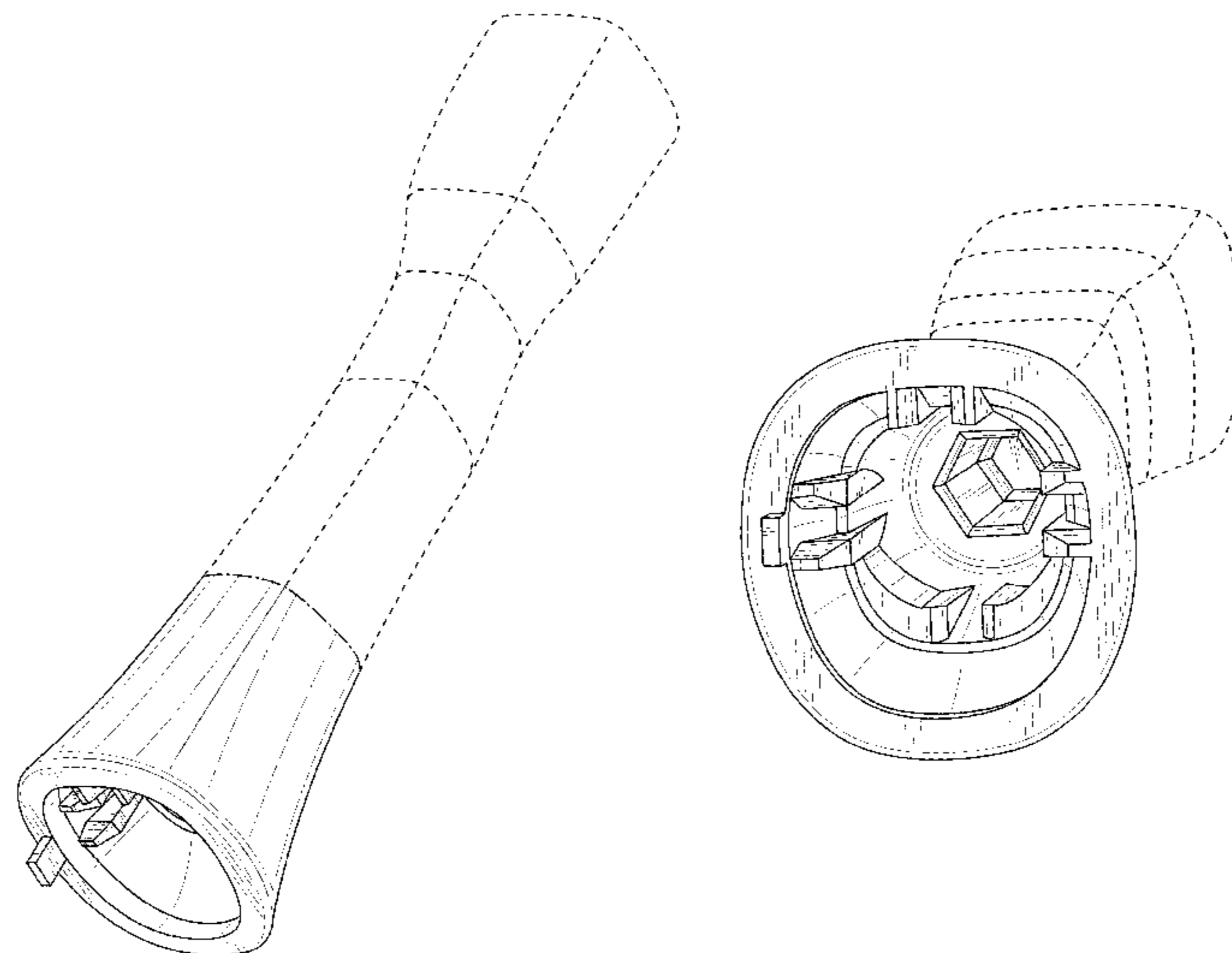
FIG. 1 is a front, left, top perspective view of a cleaning head showing my new design;
 FIG. 2 is a rear, left, bottom perspective view thereof;
 FIG. 3 is an additional rear, left, bottom perspective view thereof;
 FIG. 4 is a front elevation view thereof;
 FIG. 5 is a rear elevation view thereof;
 FIG. 6 is a left elevation view thereof;
 FIG. 7 is a right side view thereof;
 FIG. 8 is a top plan view thereof;
 FIG. 9 is a bottom plan view thereof;
 FIG. 10 is a cross-sectional view thereof as indicated in FIG. 9; and,
 FIG. 11 is a cross-sectional view thereof as indicated in FIG. 9.
 The evenly-dashed broken lines shown in the drawings depict portions of the cleaning head that form no part of the claimed design. The dash-dot-dash broken lines illustrate the bounds of the claim.

(56) **References Cited**

U.S. PATENT DOCUMENTS

- D175,365 S 8/1955 Racicot
- D222,524 S 11/1971 Jedora
- D258,526 S 3/1981 Nederman
- D353,674 S 12/1994 Jorneus
- D375,035 S 10/1996 Mangol
- D418,413 S 1/2000 Stern
- 6,381,794 B1 * 5/2002 Porper A46B 5/0012
15/167.2
- D465,716 S * 11/2002 Hsieh D8/107

1 Claim, 11 Drawing Sheets



(56)

References Cited

U.S. PATENT DOCUMENTS

7,334,283	B2 *	2/2008	Kunita	A46B 7/06 15/167.1
D627,975	S	11/2010	Chang	
D646,896	S *	10/2011	Lee	D4/101
D653,755	S *	2/2012	Takiguchi	D24/152
8,359,697	B2 *	1/2013	Wang	A46B 5/00 15/167.1
D688,045	S *	8/2013	Key	D4/101
D693,304	S	11/2013	Dobler	
D697,316	S	1/2014	Schouten et al.	
D714,442	S *	9/2014	Norichika	D24/152
D714,725	S	10/2014	Vogelmann	
D730,062	S	5/2015	Lim	
D736,929	S *	8/2015	Kagawa	D24/152
D759,383	S *	6/2016	Watkins	D4/101
D772,580	S	11/2016	Harrington	
D774,193	S *	12/2016	Makmel	D24/152
D794,336	S *	8/2017	Zavalloni	D4/101
D794,784	S *	8/2017	Bradley	D24/133
D799,218	S *	10/2017	Okai	D4/104
2005/0271997	A1 *	12/2005	Mikami	A46B 15/0002 433/29
2007/0277339	A1 *	12/2007	Barsheshet	A46B 7/06 15/167.1

* cited by examiner

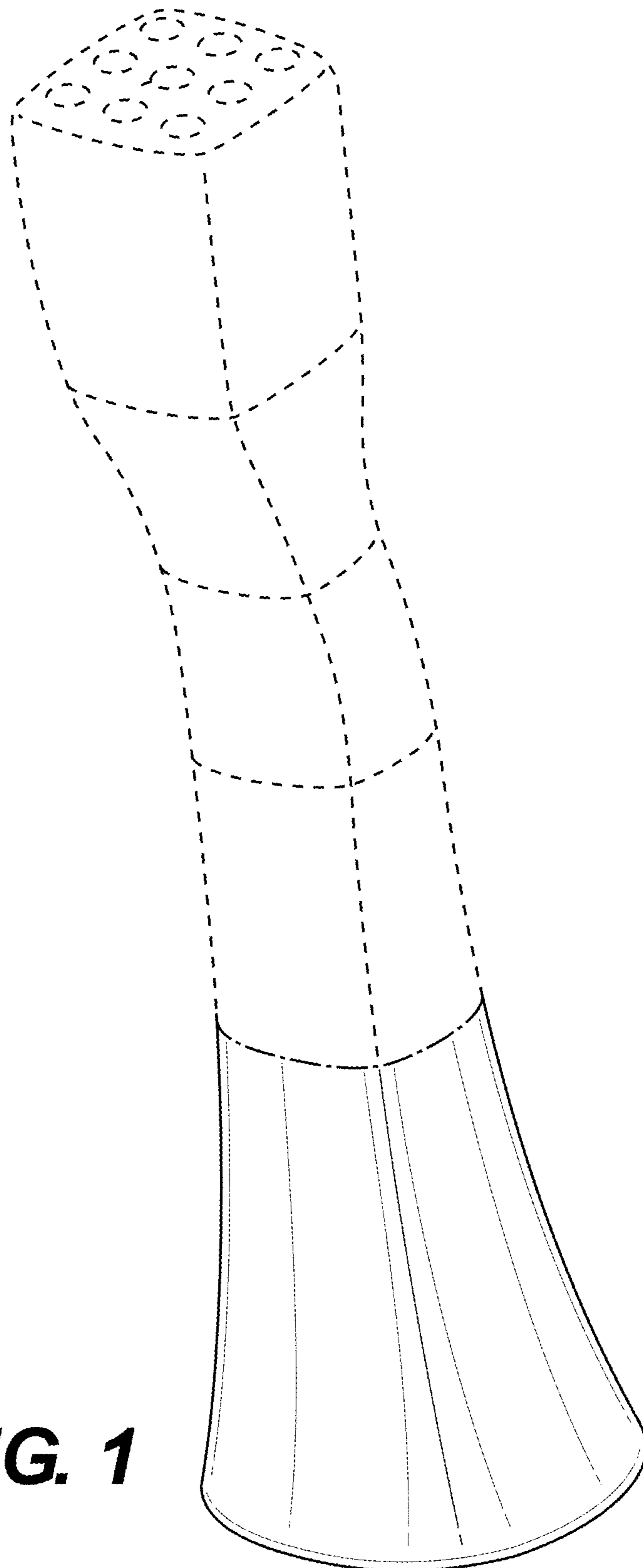


FIG. 1

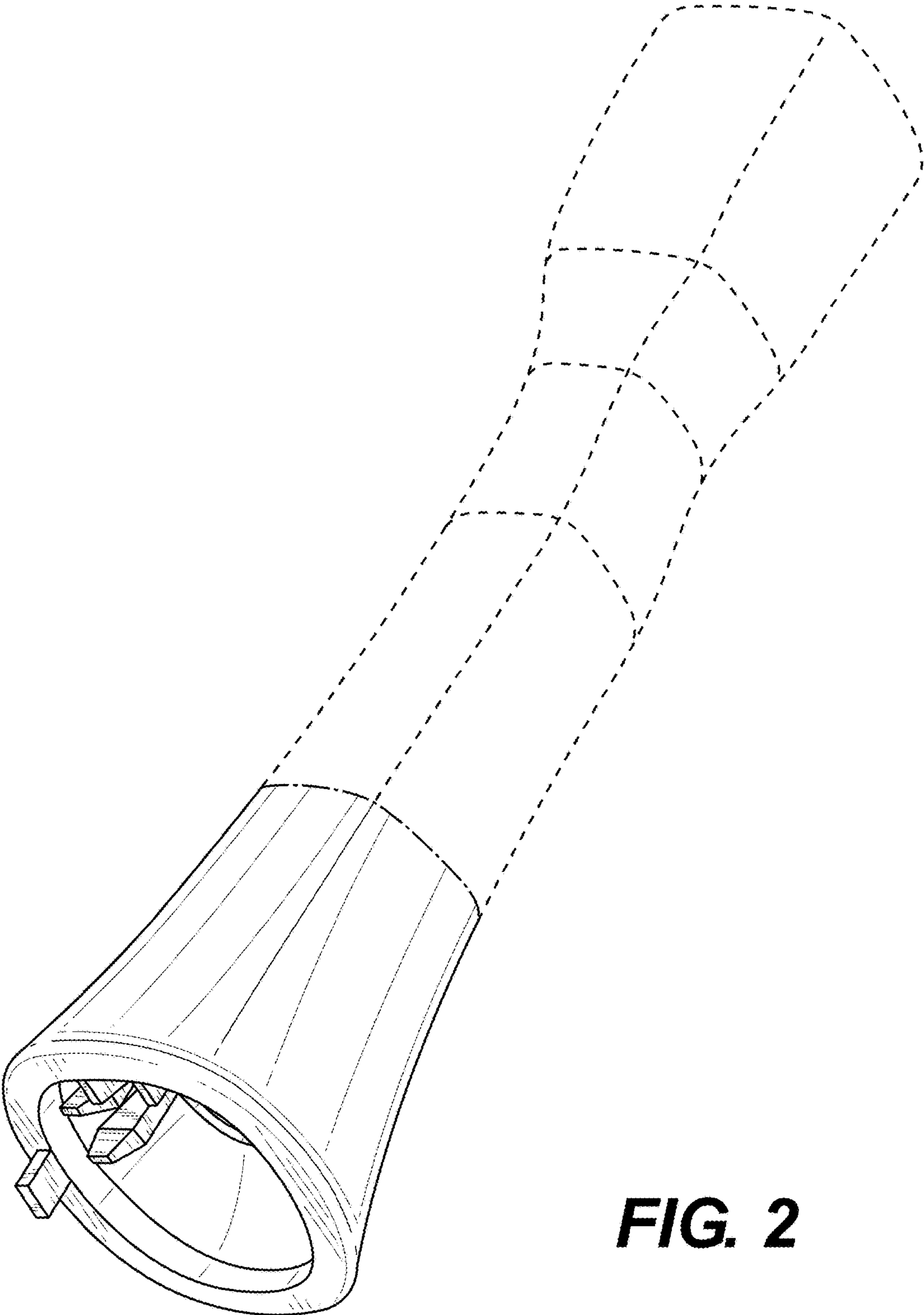


FIG. 2

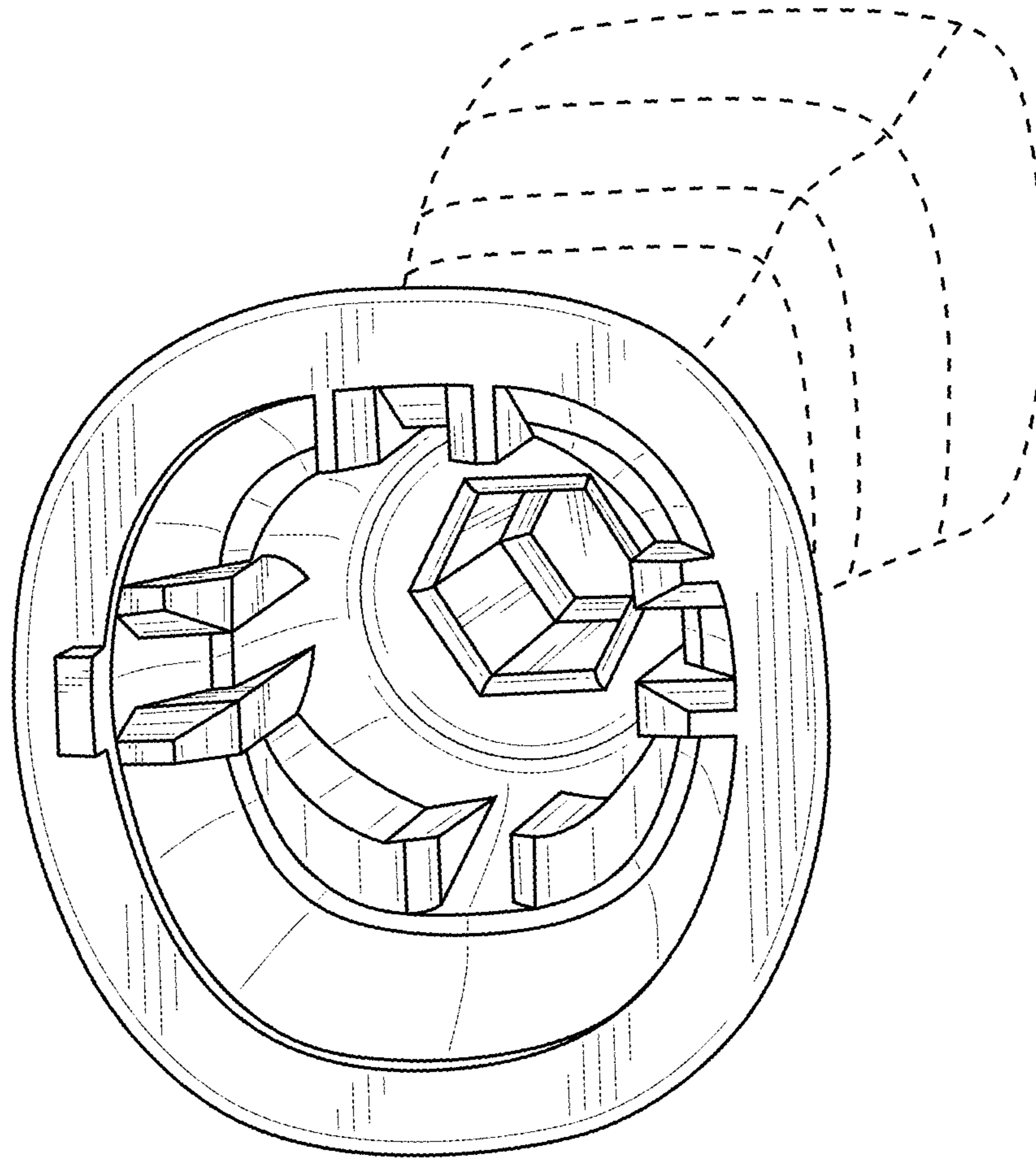


FIG. 3

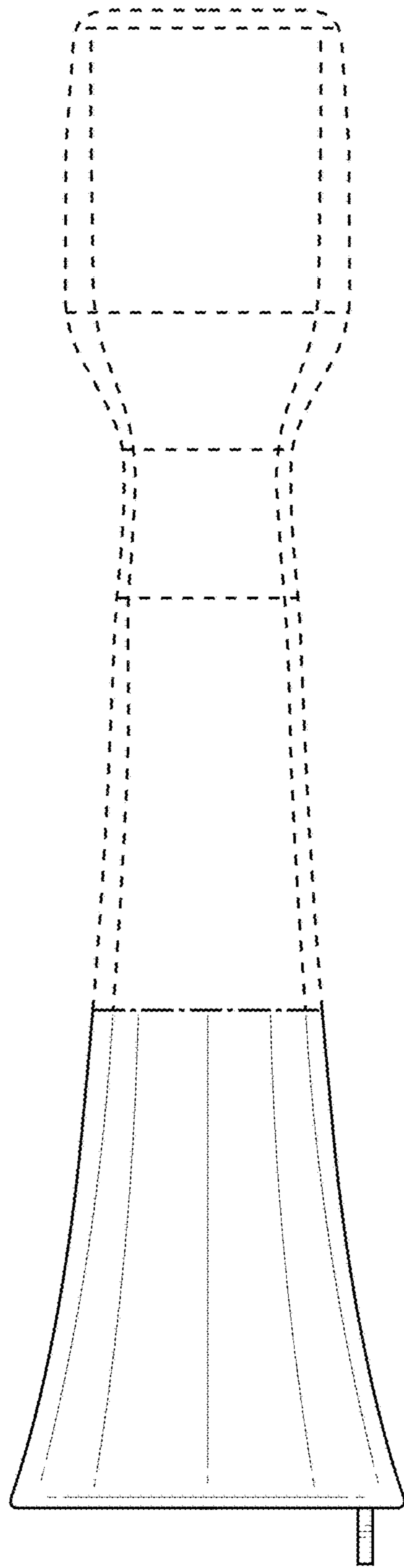


FIG. 4

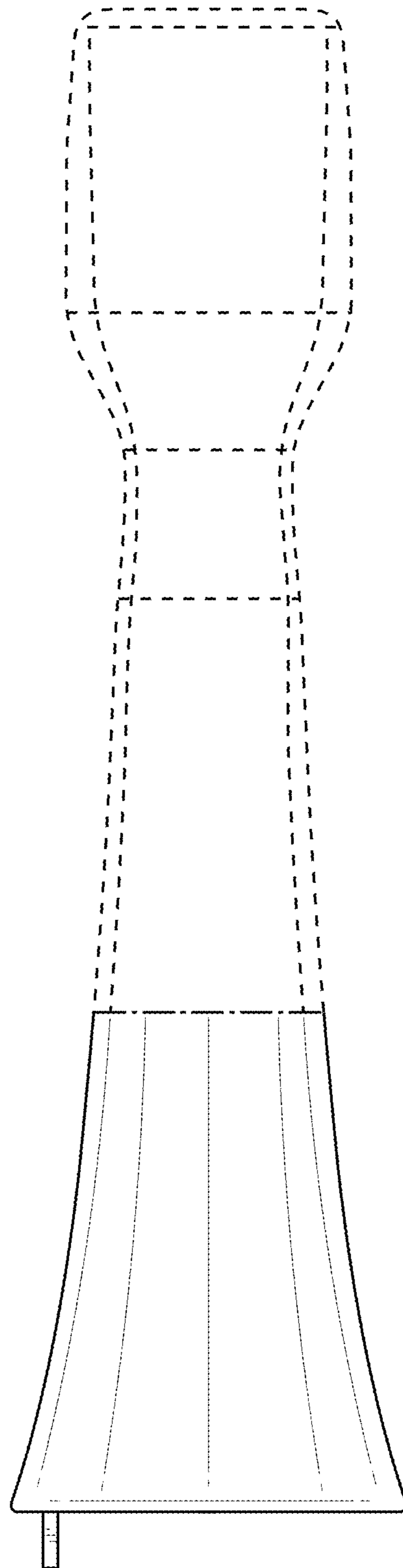


FIG. 5

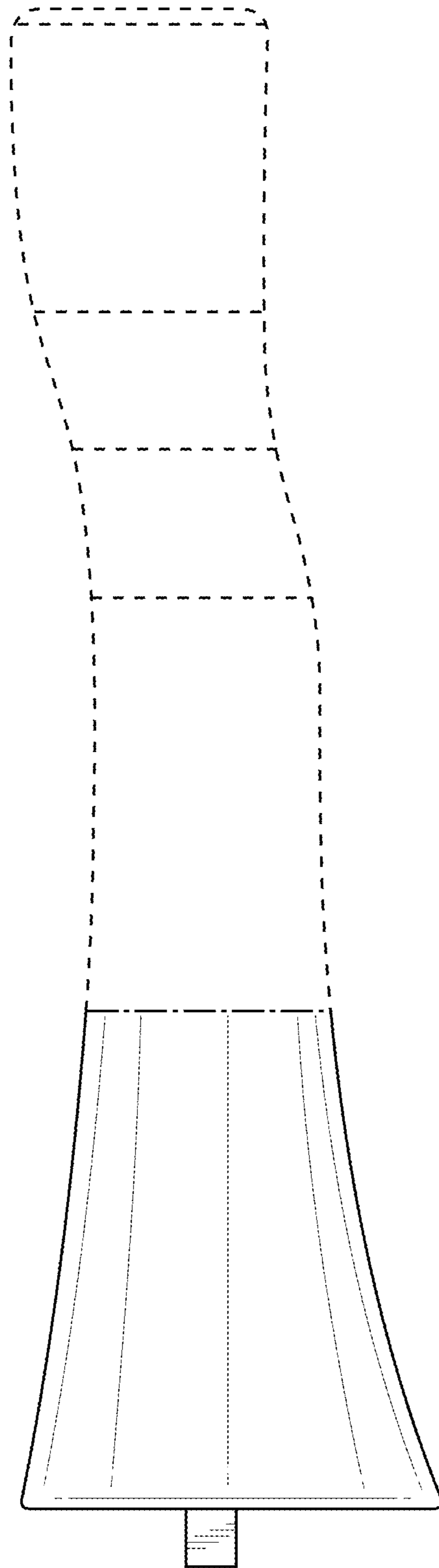


FIG. 6

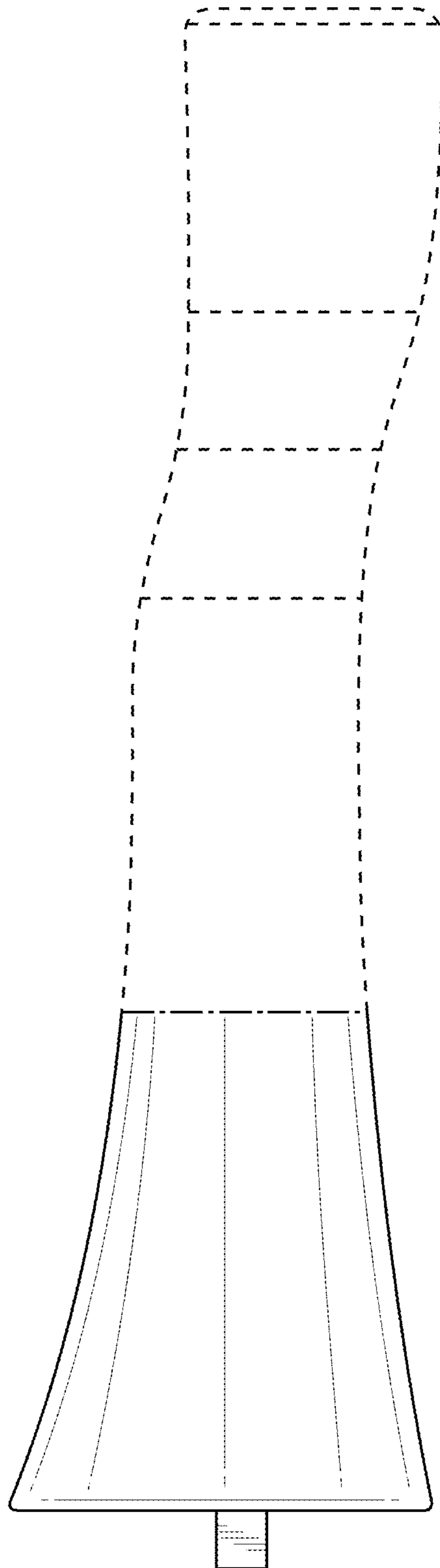


FIG. 7

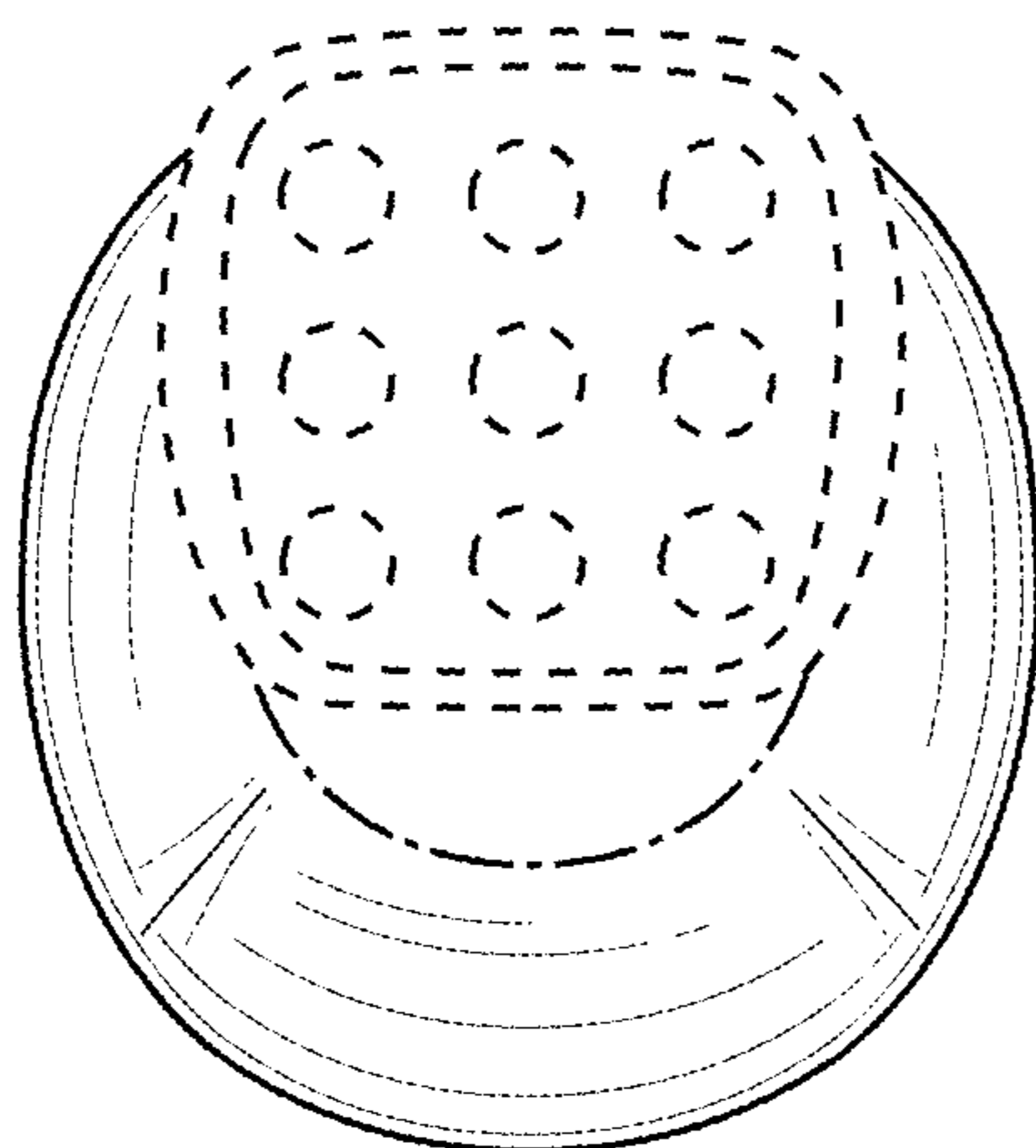


FIG. 8

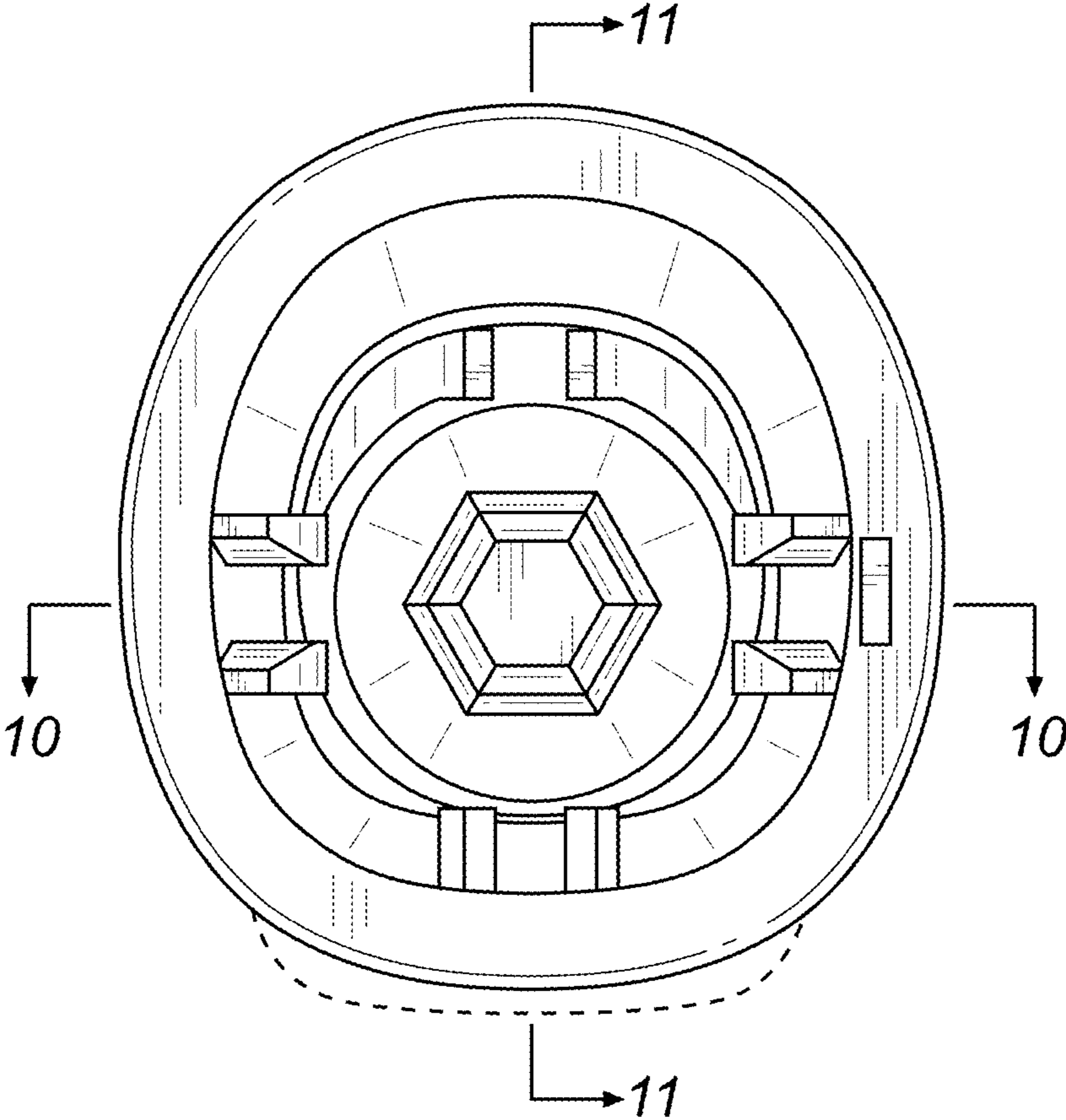


FIG. 9

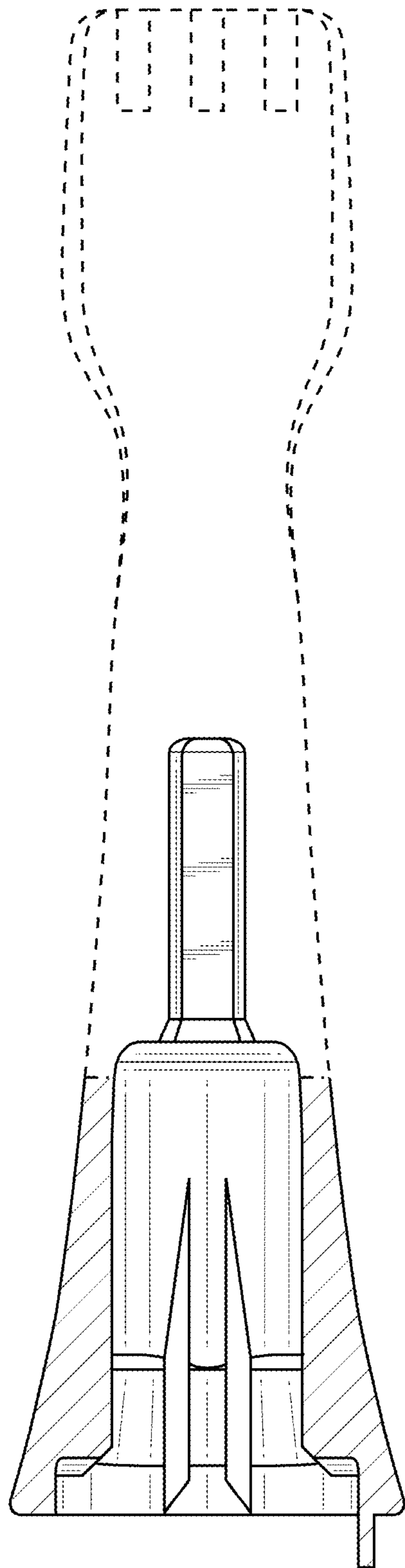


FIG. 10

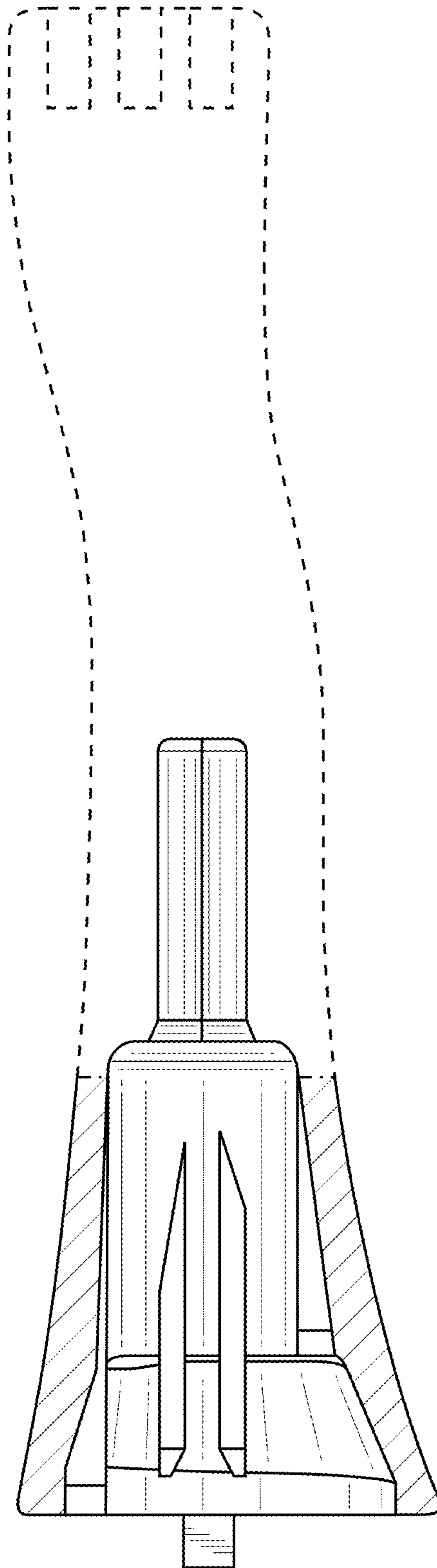


FIG. 11