



US00D812910S

(12) **United States Design Patent** (10) **Patent No.:** **US D812,910 S**  
**Harvey** (45) **Date of Patent:** **\*\* Mar. 20, 2018**

- (54) **STORAGE BIN**
- (71) Applicant: **Wilmar Corporation**, Renton, WA  
(US)
- (72) Inventor: **Joshua Nahum Harvey**, Issaquah, WA  
(US)
- (73) Assignee: **Wilmar Corporation**, Renton, WA  
(US)
- (\*\*) Term: **15 Years**
- (21) Appl. No.: **29/593,258**
- (22) Filed: **Feb. 7, 2017**
- (51) **LOC (11) Cl.** ..... **03-01**
- (52) **U.S. Cl.**  
USPC ..... **D3/304**
- (58) **Field of Classification Search**  
USPC ..... D3/304, 314, 328; D6/512, 515, 672,  
D6/675; D7/601, 602  
CPC ..... B65D 1/00; B65D 25/00; B65D 81/3813;  
B65D 2585/00  
See application file for complete search history.

- D772,575 S \* 11/2016 Stelmarski ..... D3/304
- D784,018 S \* 4/2017 Shamp ..... D3/304
- D786,556 S \* 5/2017 Jones ..... D3/304
- 9,676,518 B2 \* 6/2017 Shamp ..... B65D 21/0233
- D800,600 S \* 10/2017 Fenn ..... D11/156

\* cited by examiner

*Primary Examiner* — Kelley Donnelly  
(74) *Attorney, Agent, or Firm* — Baumgartner Patent Law; Marc Baumgartner

(57) **CLAIM**

The ornamental design for a storage bin, as shown and described.

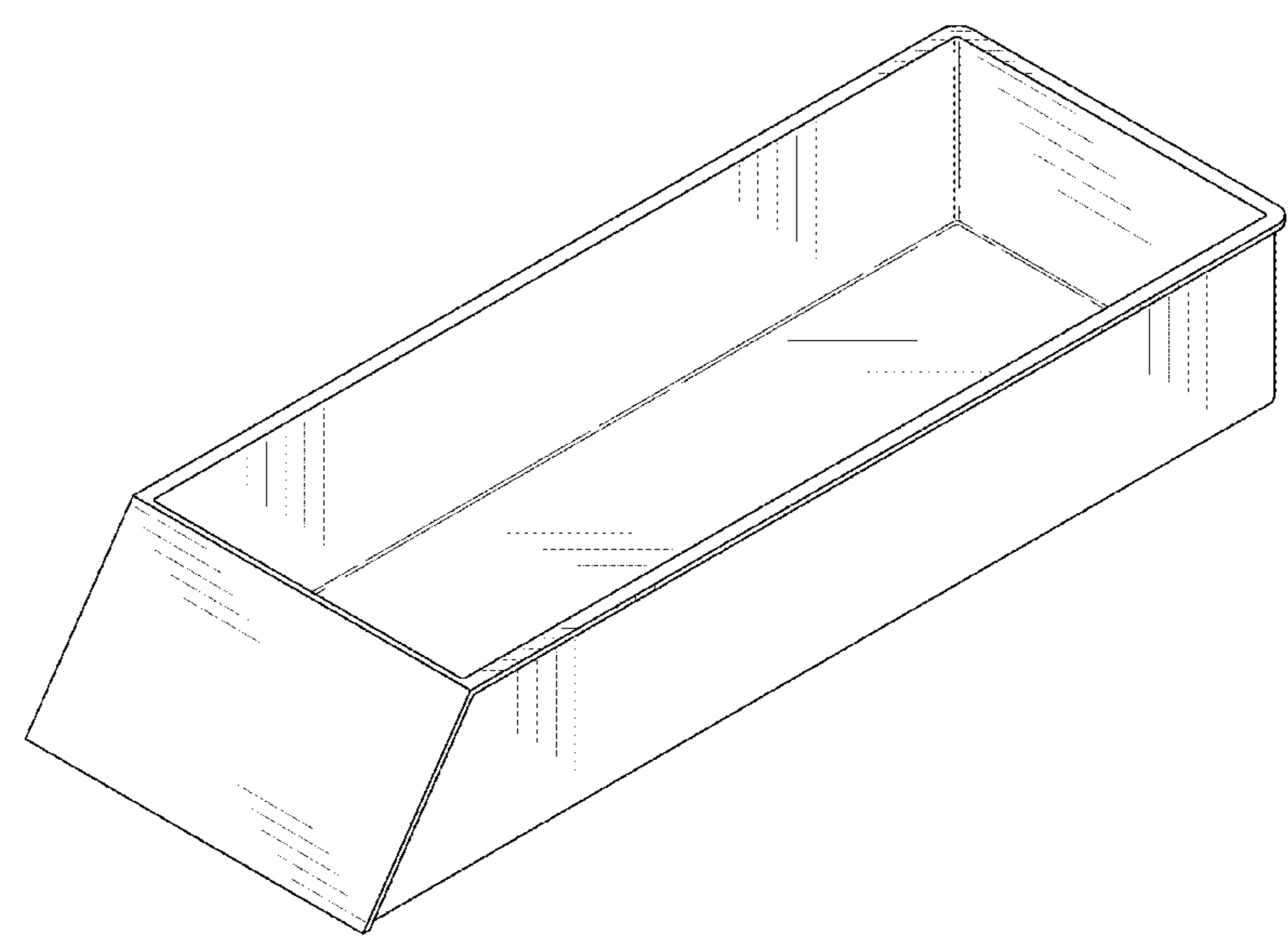
**DESCRIPTION**

FIG. 1 is a top front perspective view of the storage bin; FIG. 2 is a bottom front perspective view of the storage bin of FIG. 1; FIG. 3: is a top view of the storage bin of FIG. 1; FIG. 4: is a bottom view of the storage bin of FIG. 1; FIG. 5: is a right-side view of the storage bin of FIG. 1, the left-side is a mirror image; FIG. 6: is a front view of the storage bin of FIG. 1; FIG. 7: is a rear view of the storage bin of FIG. 1; FIG. 8: is a cross sectional view of the right-side of the storage bin of FIG. 1, the left-side is a mirror image; FIG. 9: is a bottom front perspective view of the storage bin of FIG. 1 positioned on a shelf; FIG. 10: is a bottom front perspective view of the storage bin of FIG. 1 positioned on a shelf; and, FIG. 11: is a top perspective view of the storage bin of FIG. 1 positioned above a shelf.

The broken lines shown in the drawings illustrate unclaimed elements of the storage bin and environment and form no part of the claimed design.

- (56) **References Cited**
- U.S. PATENT DOCUMENTS
- D282,883 S \* 3/1986 Kiiski ..... D3/304
  - D311,800 S \* 10/1990 Kiiski ..... D3/304
  - D327,971 S \* 7/1992 Cugley ..... D3/304
  - D530,919 S \* 10/2006 Snell ..... D3/304
  - D538,536 S \* 3/2007 Kopenhaver ..... D3/305
  - D572,904 S \* 7/2008 Beckerman ..... D3/304
  - D612,608 S \* 3/2010 Snell ..... D3/304
  - D648,652 S \* 11/2011 Hawkins ..... D11/155
  - D700,002 S \* 2/2014 Lupo, Jr. .... D7/354
  - D704,130 S \* 5/2014 Kristensen ..... D12/407
  - D707,500 S \* 6/2014 Breuss ..... D7/641
  - D734,611 S \* 7/2015 Baruch ..... D3/313
  - D743,211 S \* 11/2015 Choi ..... D7/554.3

**1 Claim, 7 Drawing Sheets**



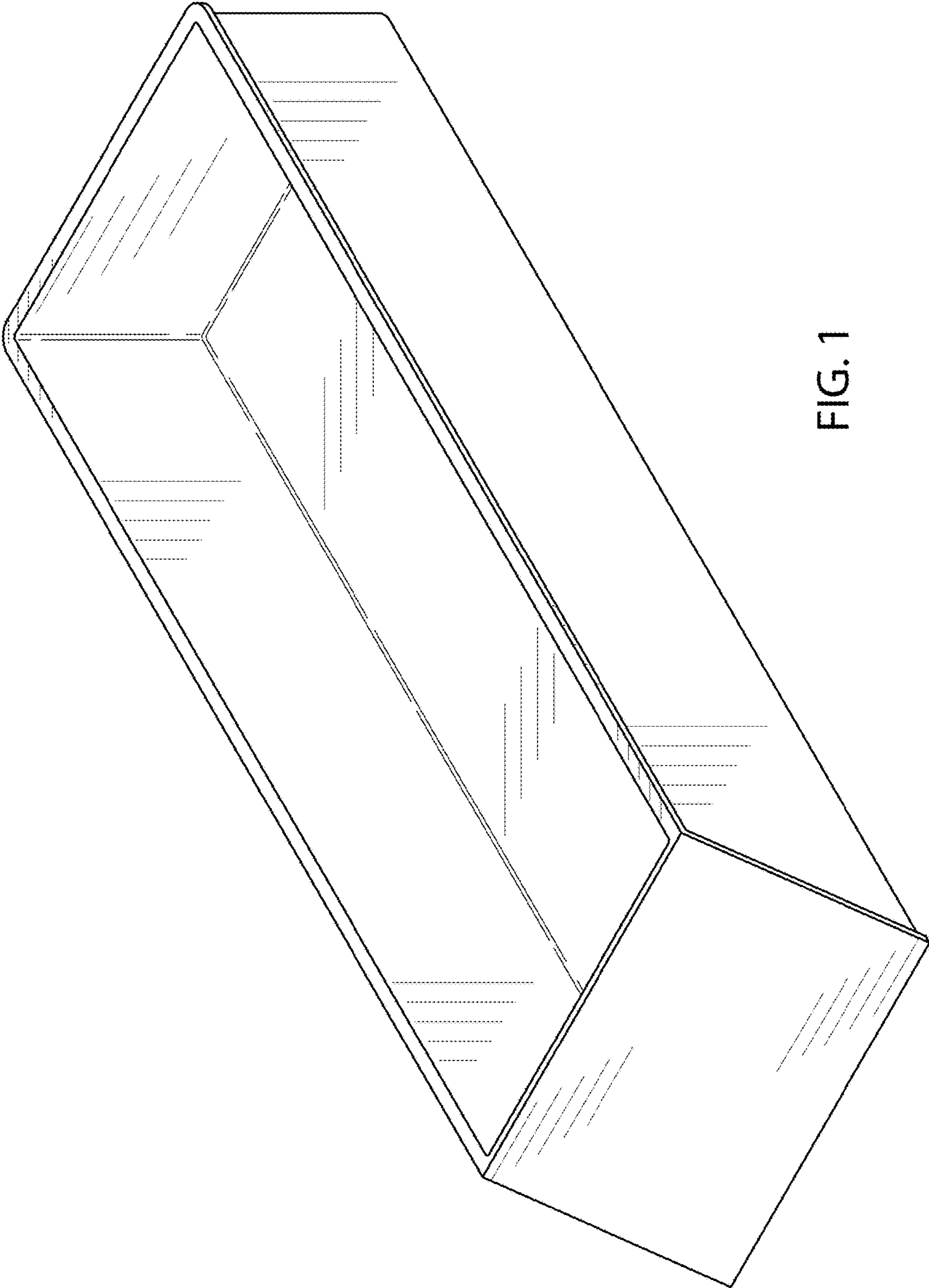


FIG. 1

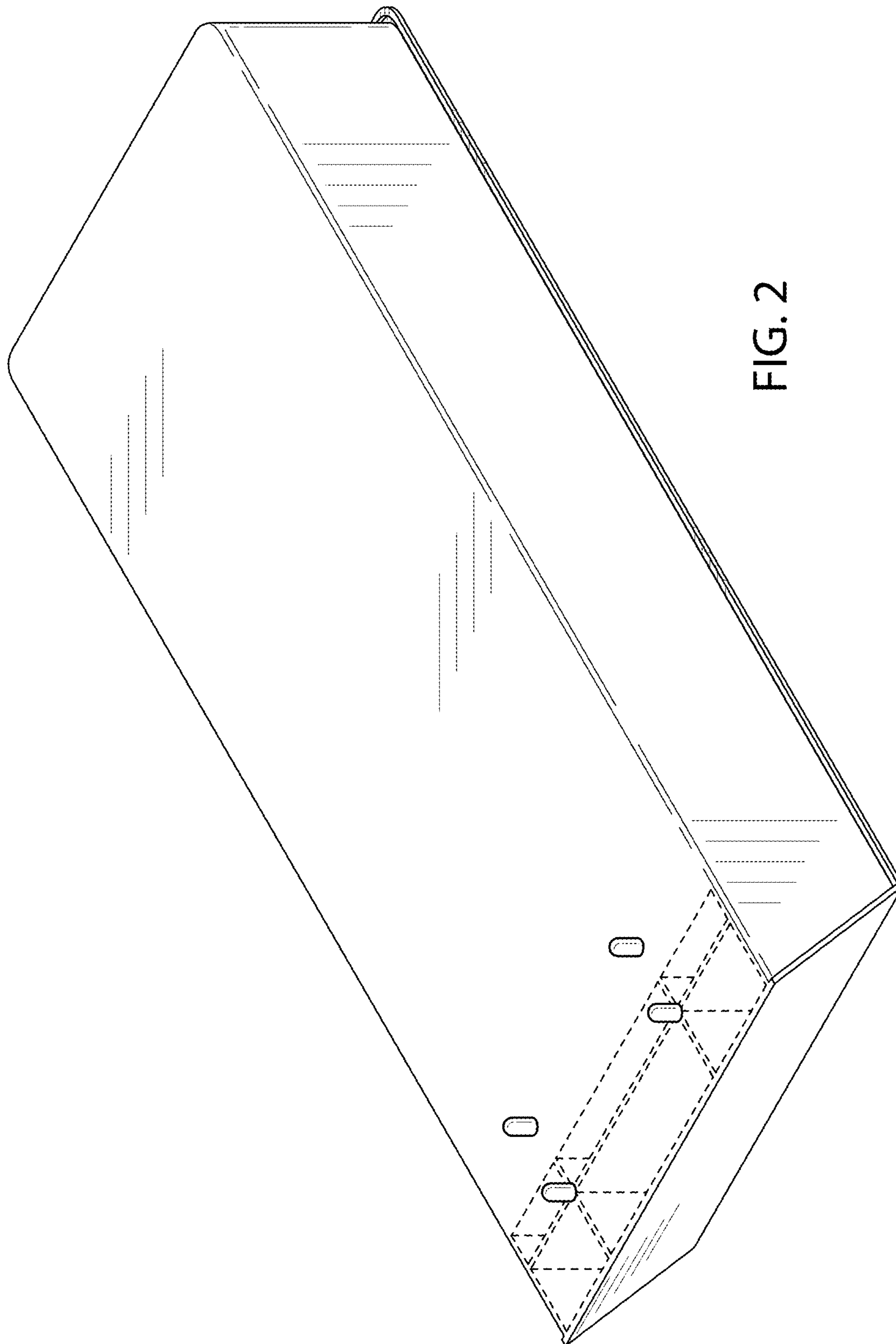


FIG. 2

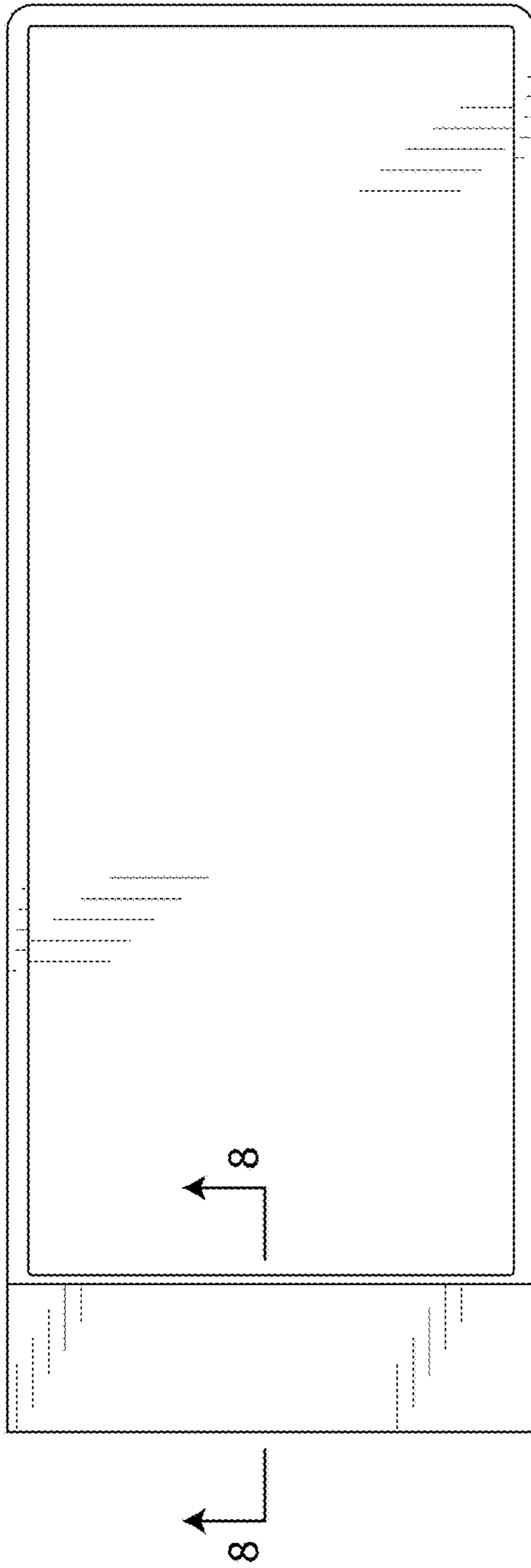


FIG. 3

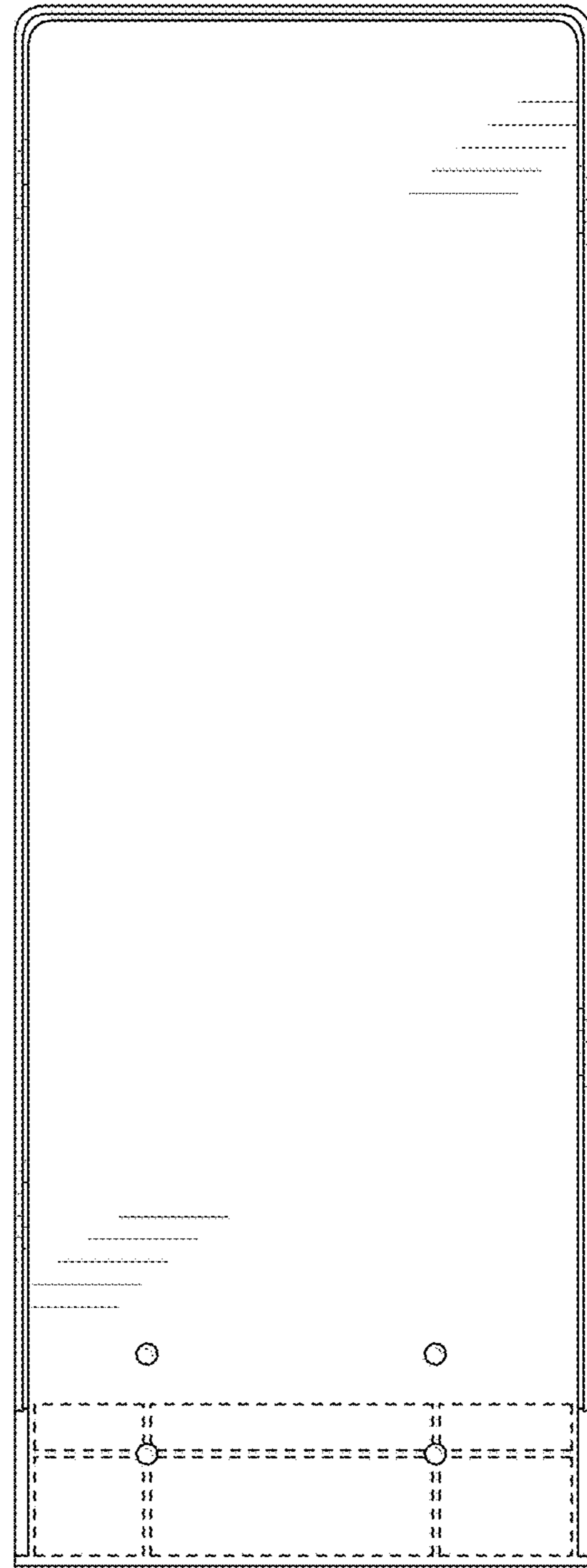


FIG. 4

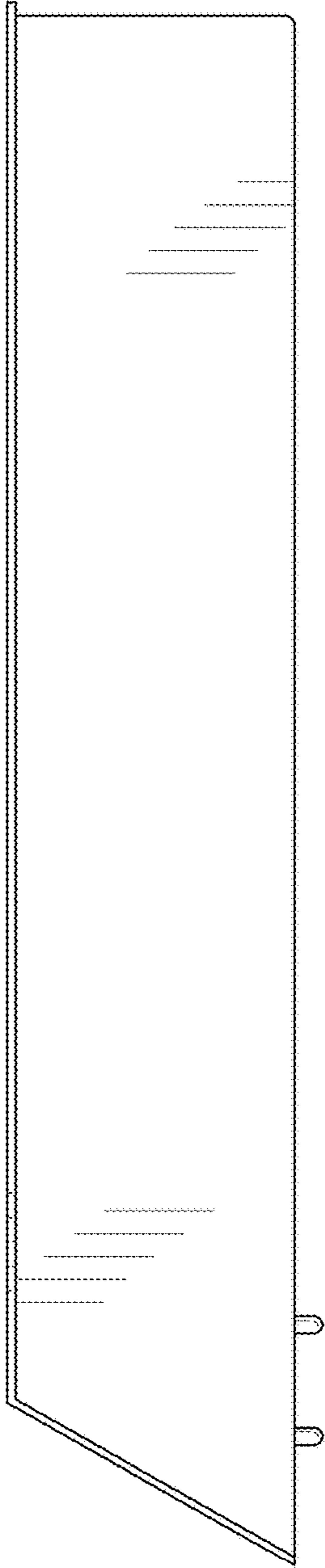


FIG. 5

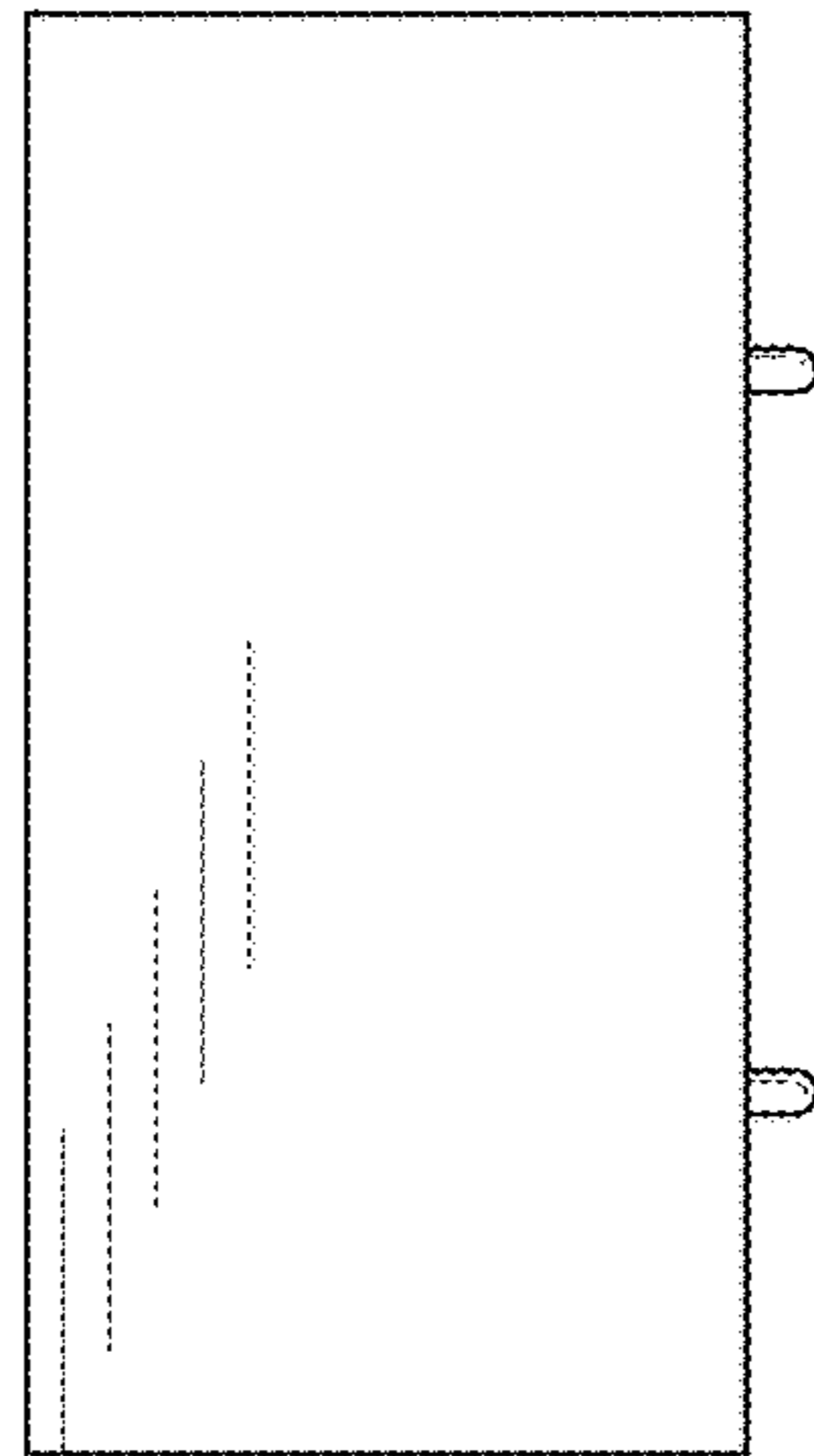


FIG. 6

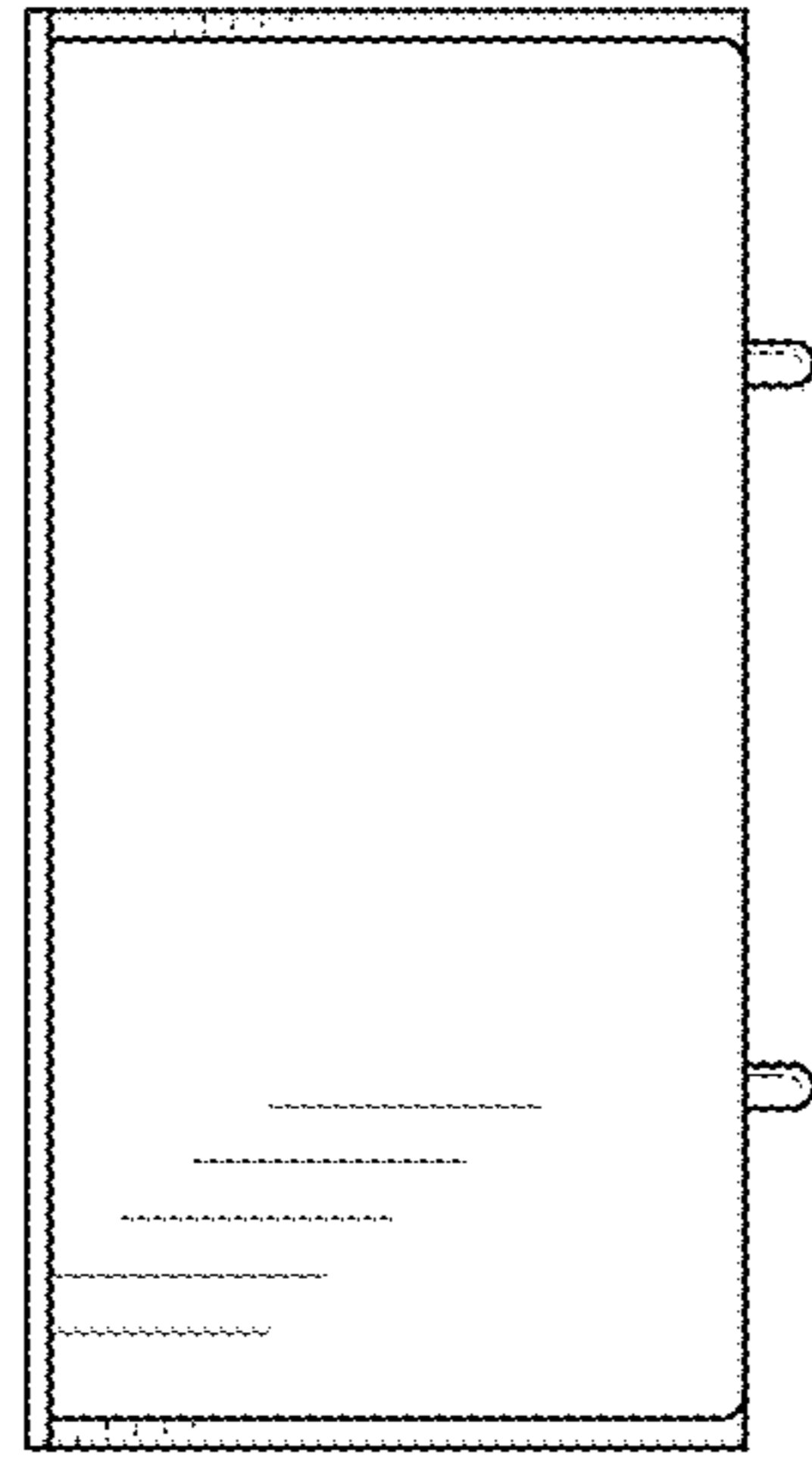


FIG. 7

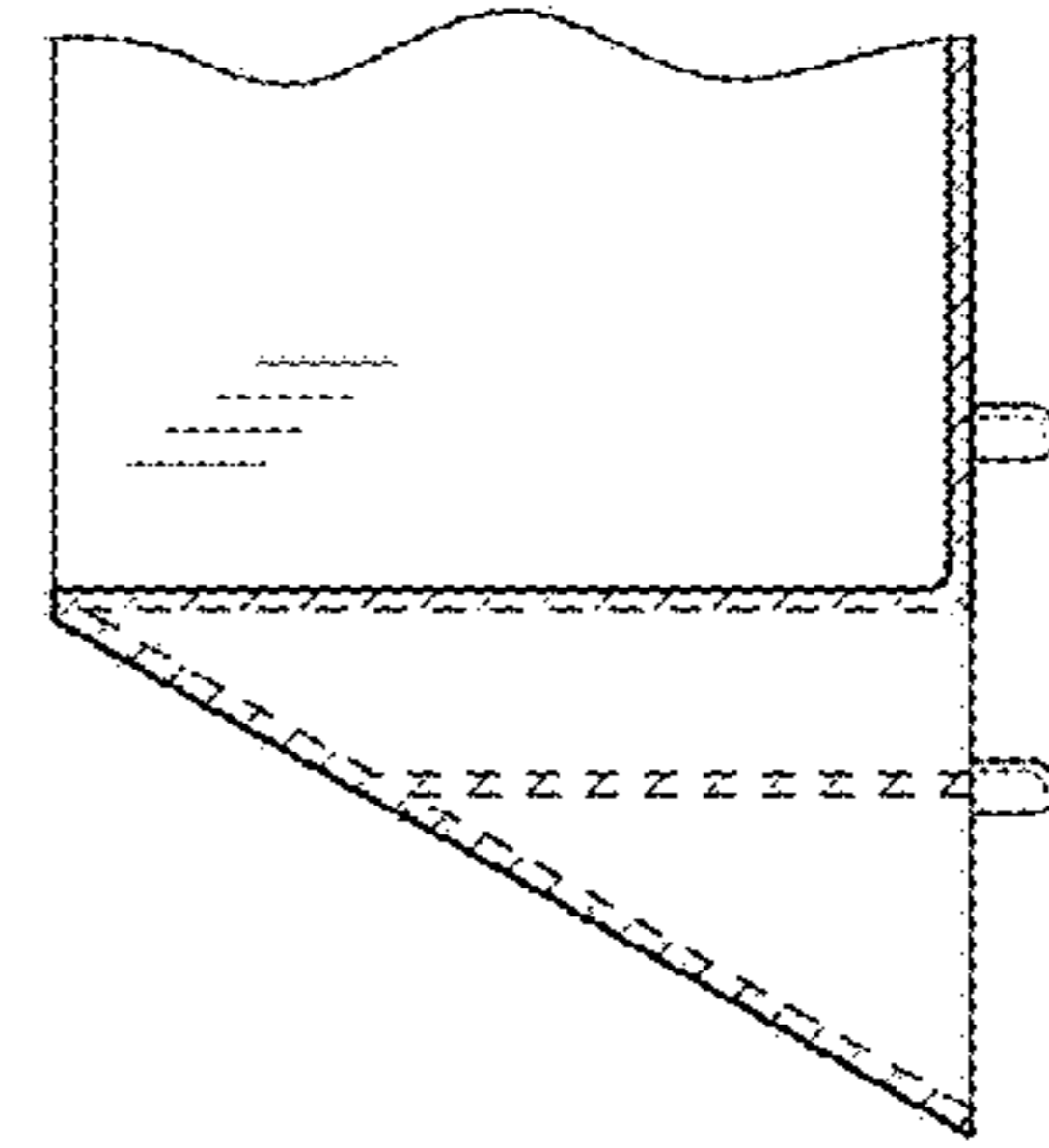


FIG. 8

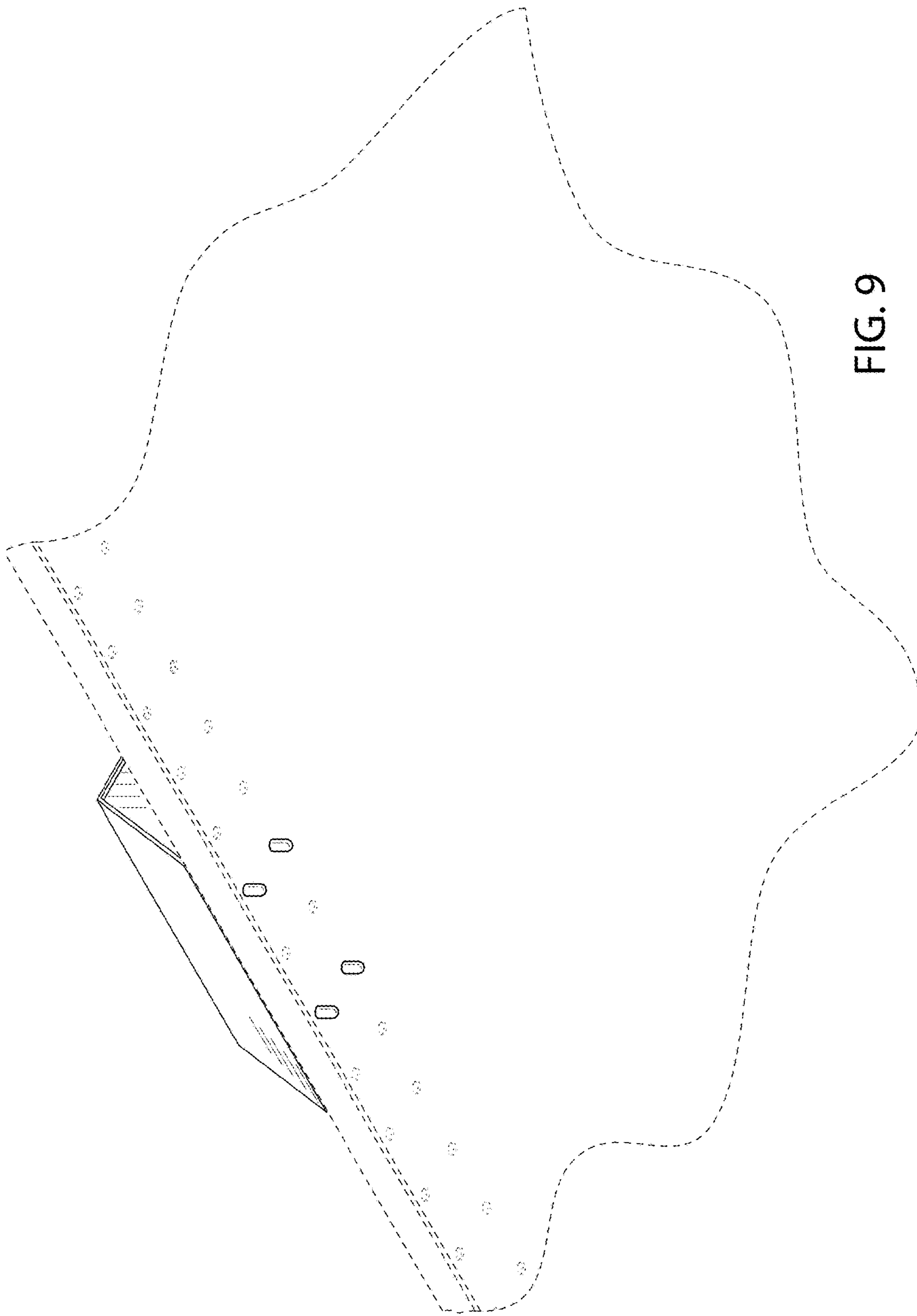


FIG. 9

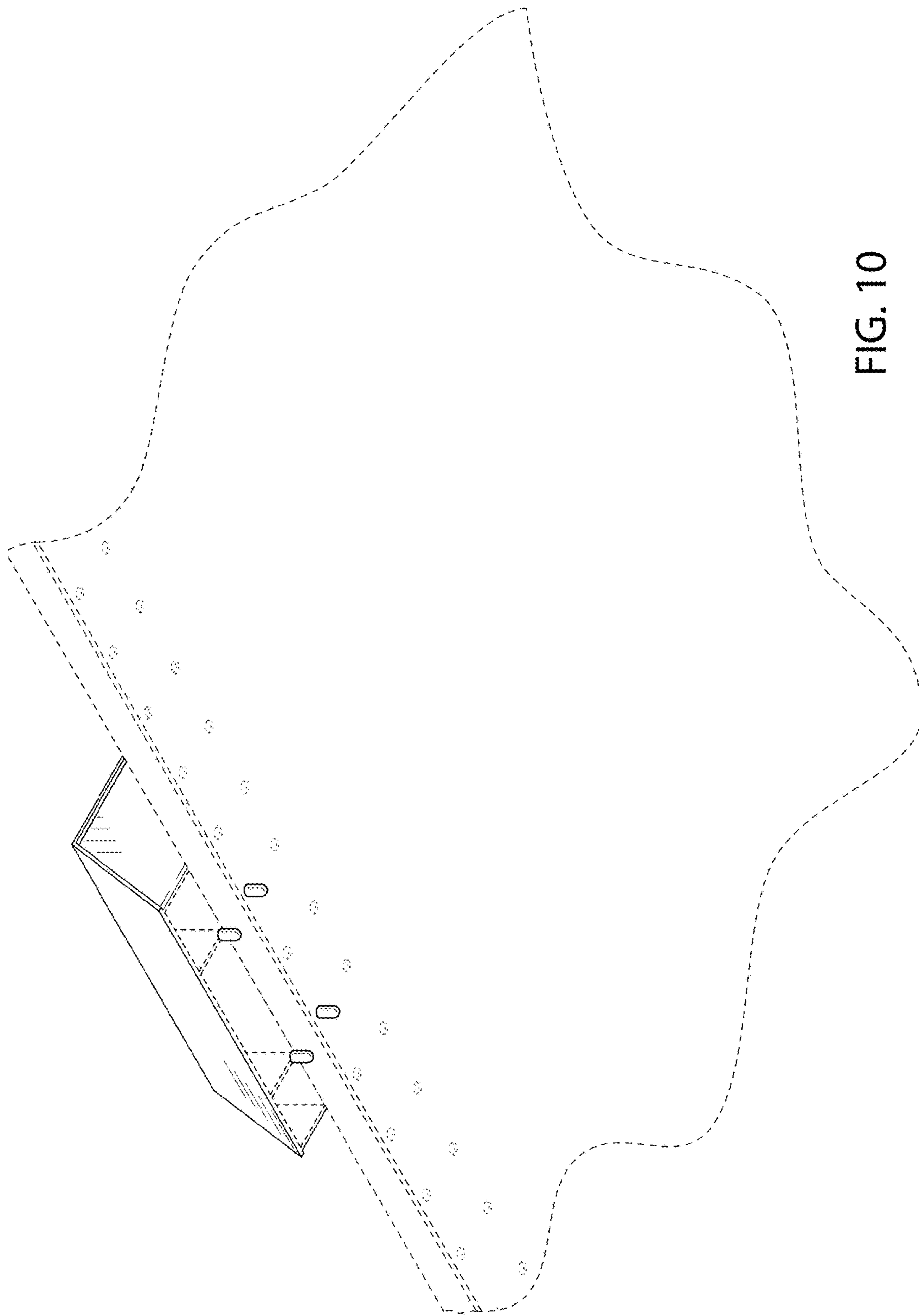


FIG. 10

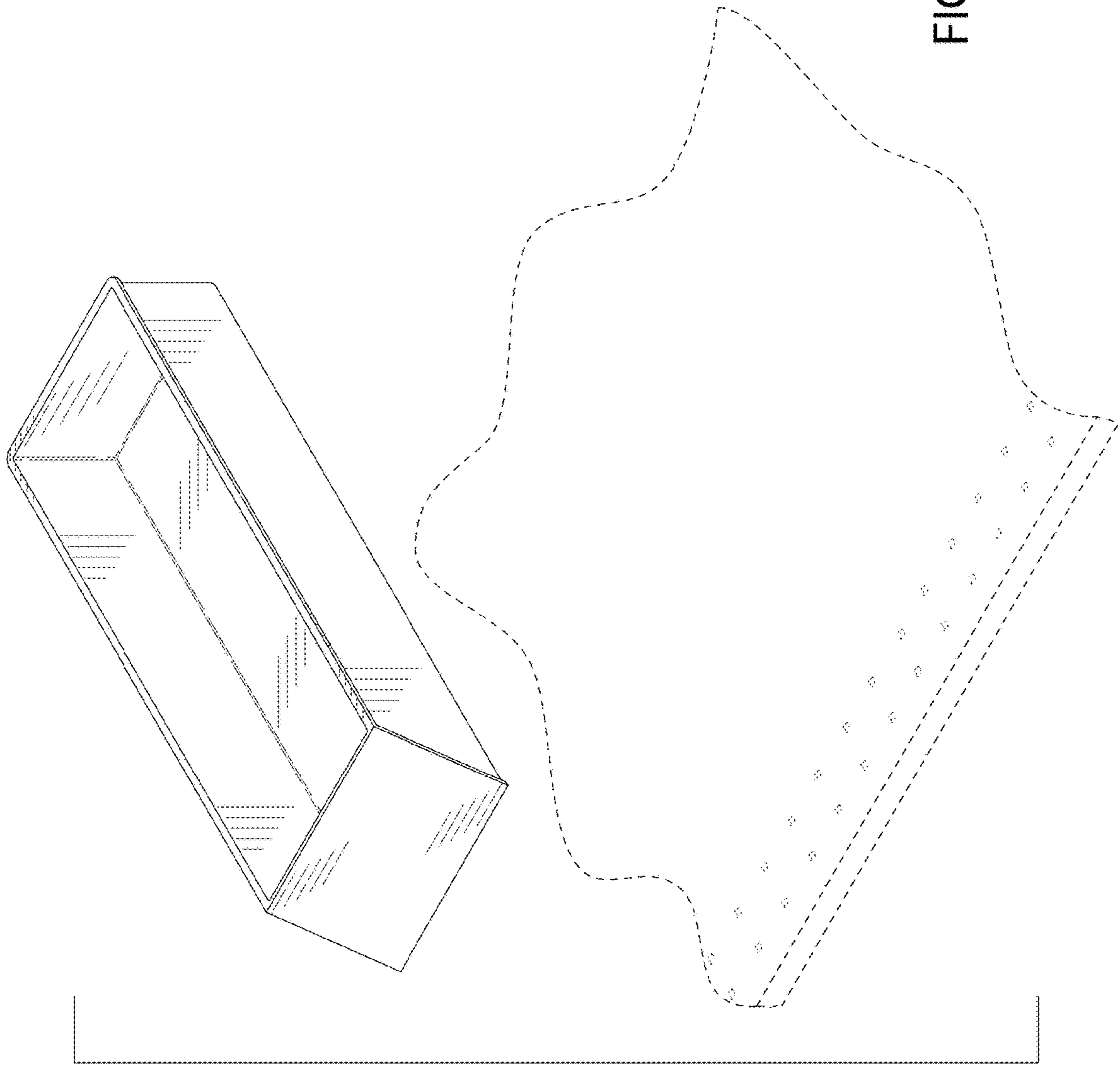


FIG. 11